



US00D329663S

United States Patent [19] Galante

[11] Patent Number: **Des. 329,663**

[45] Date of Patent: **** Sep. 22, 1992**

[54] **MULTI-PURPOSE ORGANIZER**

[76] Inventor: **Carl J. Galante**, 1837 Dixie Beach Blvd., Sanibel, Fla. 33957

[**] Term: **14 Years**

[21] Appl. No.: **397,302**

[22] Filed: **Aug. 23, 1989**

Related U.S. Application Data

[63] Continuation-in-part of Ser. No. 208,025, Jul. 17, 1988, which is a continuation-in-part of Ser. No. 257,304, Oct. 13, 1988, Pat. No. D. 321,371.

[52] U.S. Cl. **D19/78; D19/75; D19/85**

[58] Field of Search **D3/78; D19/65, 75, 35, D19/36, 77, 78; D34/40, 43; 206/214, 371, 449; 211/69.1-69.9**

[56] **References Cited**

U.S. PATENT DOCUMENTS

D. 28,416	3/1898	Akin	D19/78
D. 158,631	5/1950	Woock	D3/78
D. 221,276	7/1971	Rehrig	D34/43
D. 231,331	4/1974	Stauble	D34/43
D. 286,339	10/1986	von Berne et al.	D34/43
D. 289,181	4/1987	Solomon	D34/43 X
D. 306,227	2/1990	Ross	D34/40 X

FOREIGN PATENT DOCUMENTS

2023102 12/1979 United Kingdom 206/449

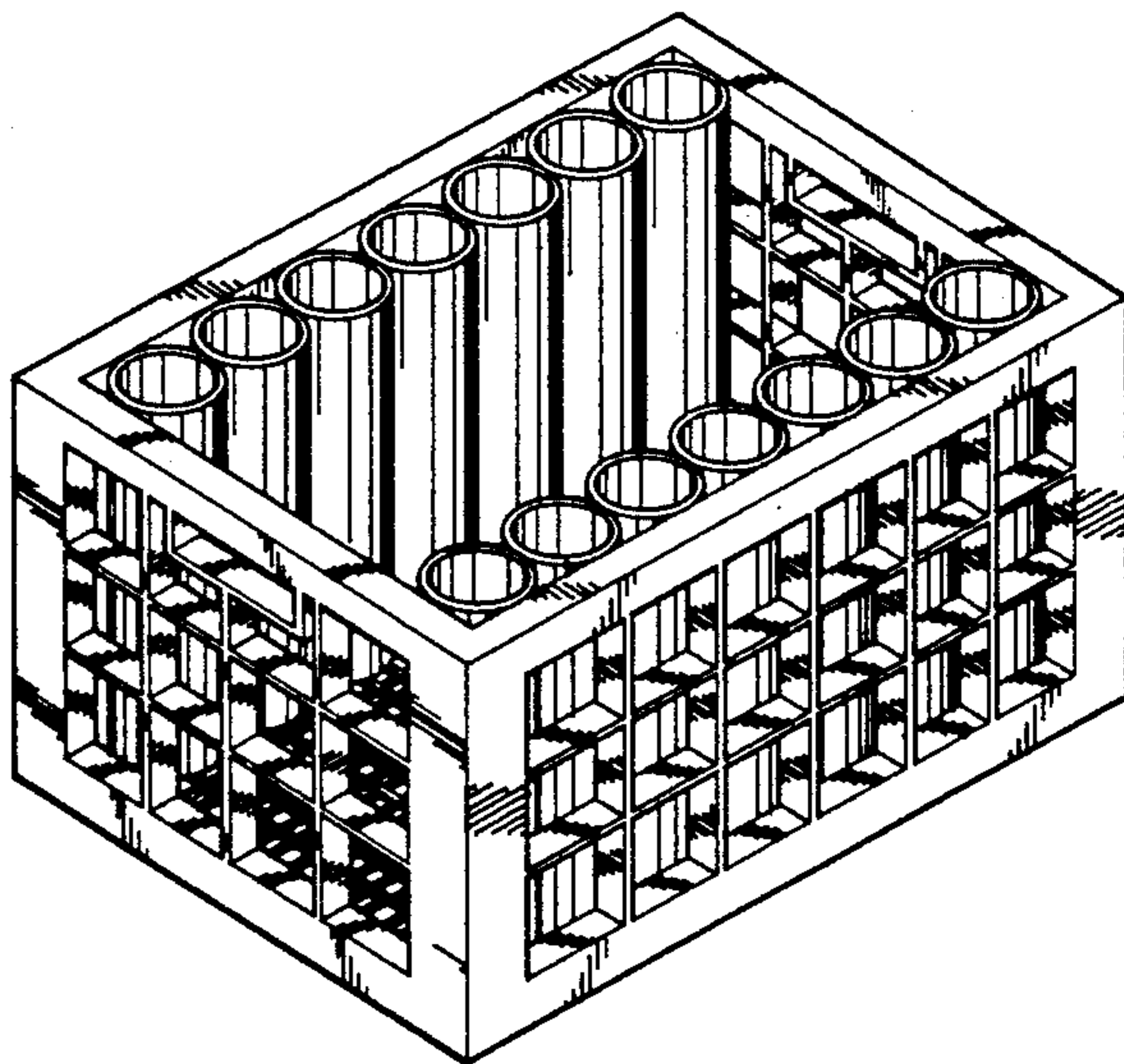
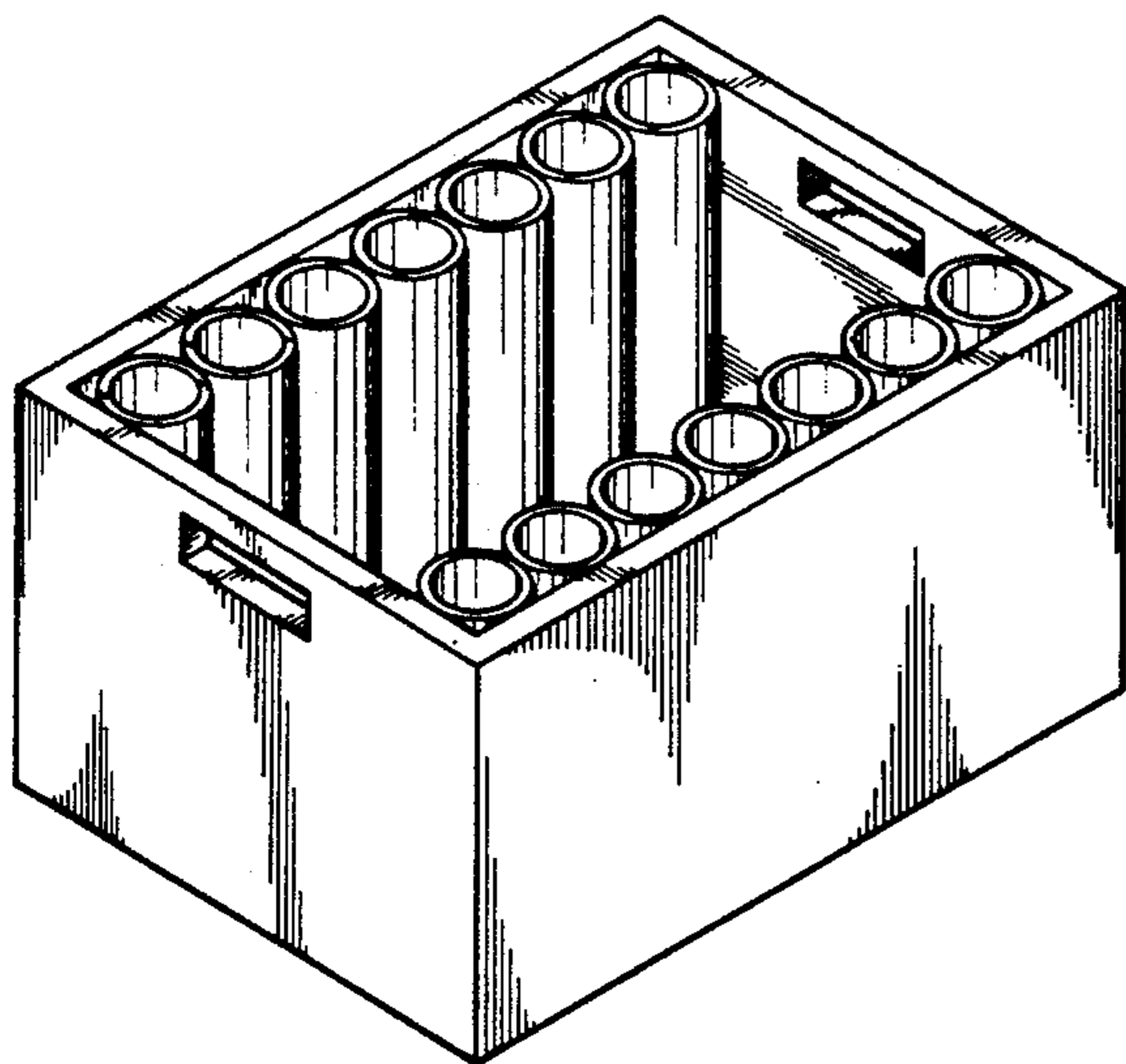
Primary Examiner—Nelson C. Holtje
Assistant Examiner—Martha Thompson
Attorney, Agent, or Firm—Richard C. Litman

[57] **CLAIM**

The ornamental design for a multi-purpose organizer, as shown and described.

DESCRIPTION

FIG. 1 is a side perspective view of a multipurpose organizer showing my new design;
 FIG. 2 is a top plan view;
 FIG. 3 is a bottom plan view;
 FIG. 4 is a side perspective view of a second embodiment of my new design;
 FIG. 5 is a top plan view of the embodiment of FIG. 4, the bottom plan view being identical to the bottom plan view of the first embodiment shown in FIG. 3;
 FIG. 6 is a side perspective view of a third embodiment of my new design;
 FIG. 7 is a side perspective view of a fourth embodiment of my new design;
 FIG. 8 is a side elevational view of the embodiments of FIGS. 1 and 4, the opposite side being a mirror image thereof;
 FIG. 9 is an end elevational view of the embodiments of FIGS. 1 and 4, the opposite end being a mirror image thereof;
 FIG. 10 is a side elevational view of the embodiments of FIGS. 6 and 7, the opposite side being a mirror image thereof;
 FIG. 11 is an end elevational view of the embodiment of FIG. 6, the opposite end being a mirror image thereof; and,
 FIG. 12 is an end elevational view of the embodiment of FIG. 7, the opposite end being a mirror image thereof. The top plan view of FIG. 6 is identical to FIG. 2, the top plan view of FIG. 7 is identical to FIG. 5, and the bottom plan views of FIGS. 6 and 7 are identical to FIG. 3.



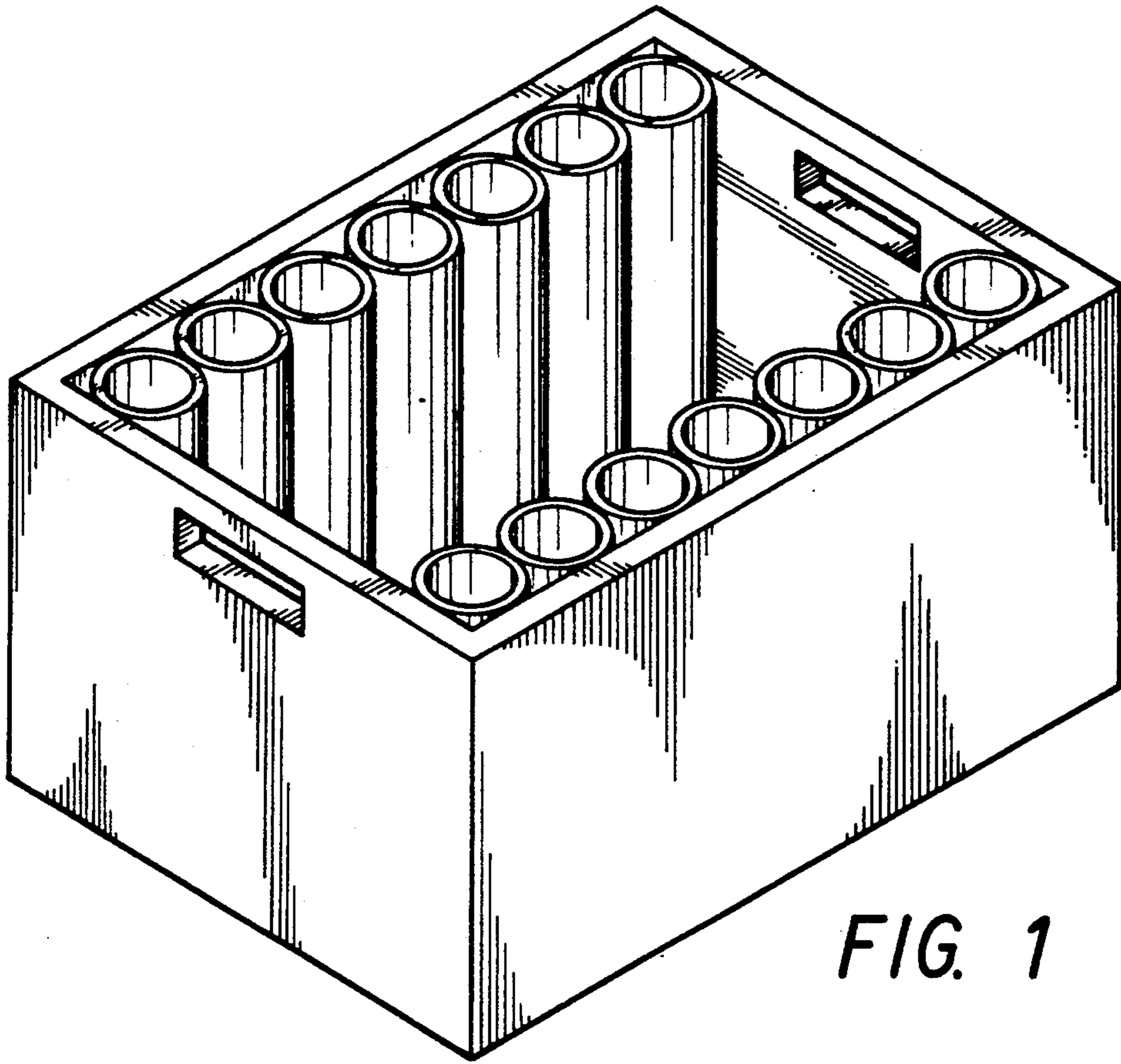


FIG. 1

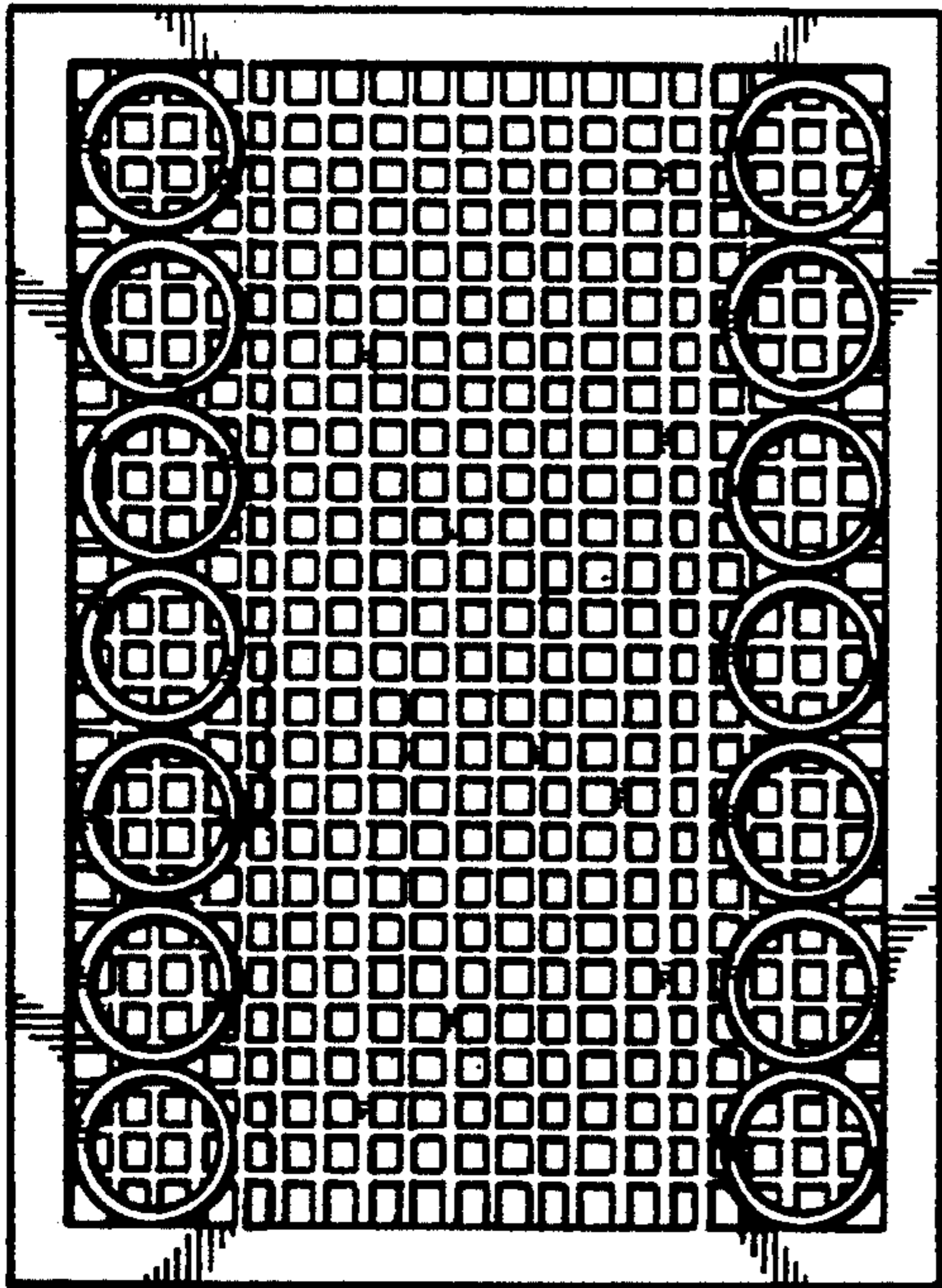


FIG. 2

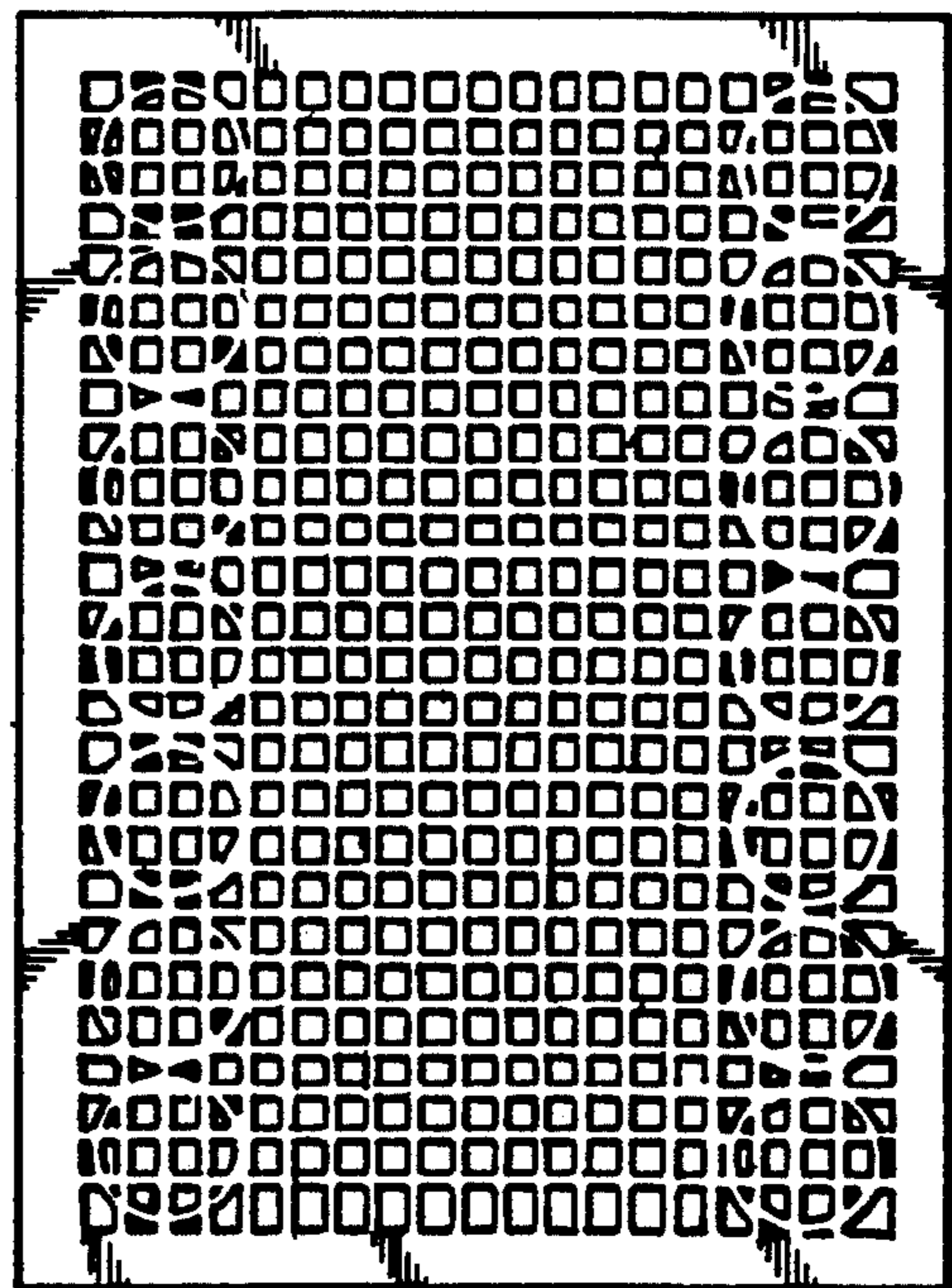


FIG. 3

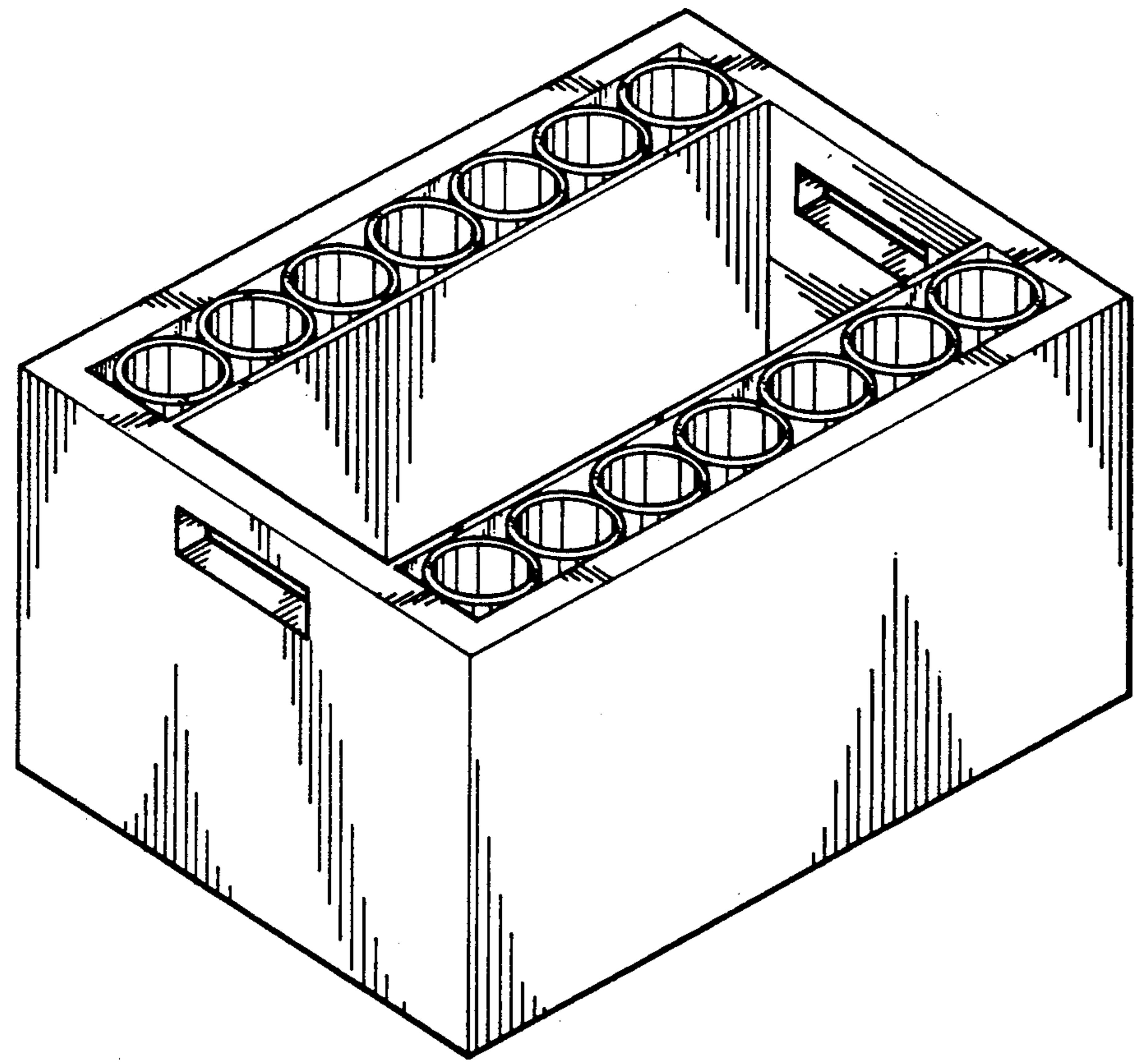


FIG. 4

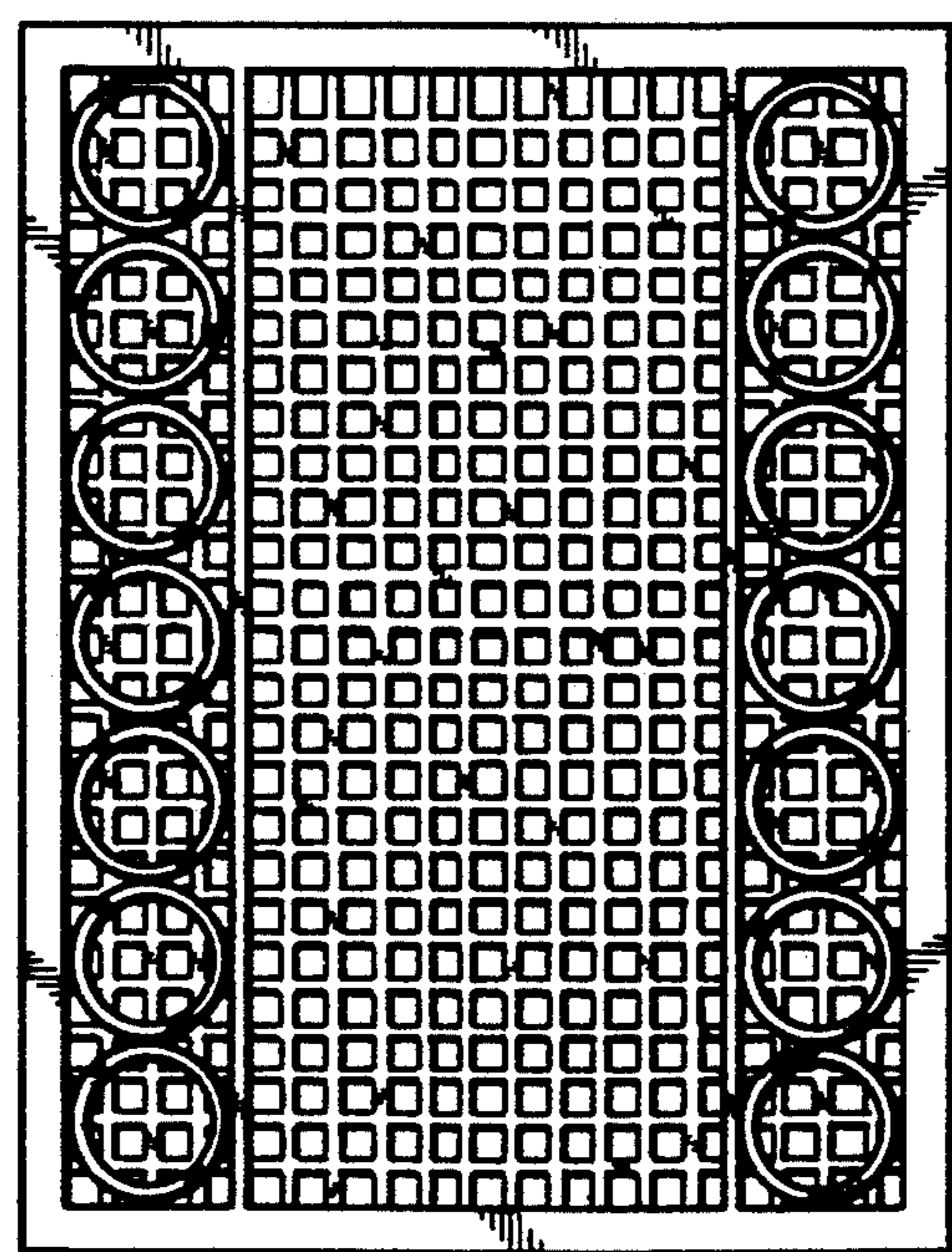


FIG. 5

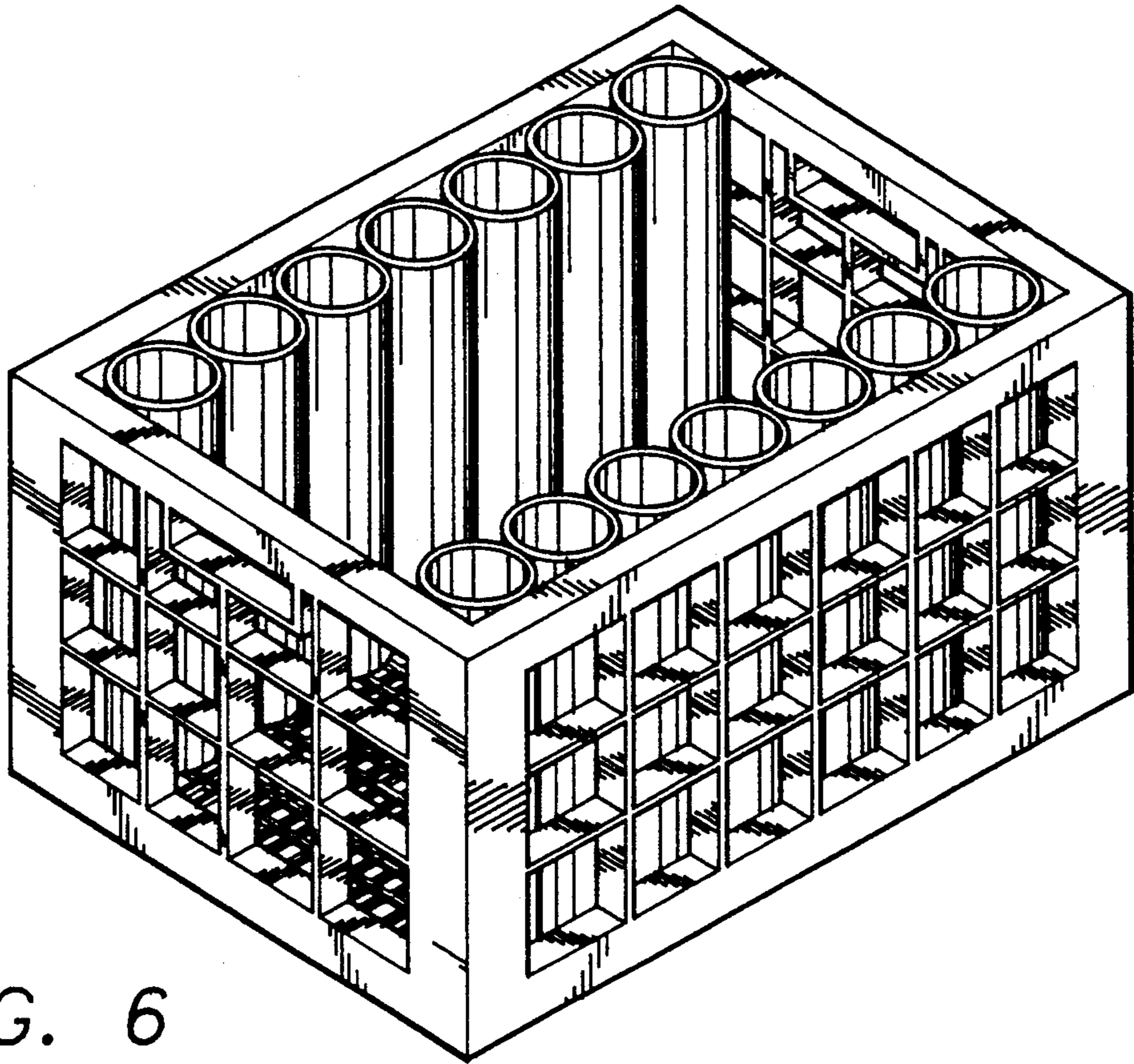


FIG. 6

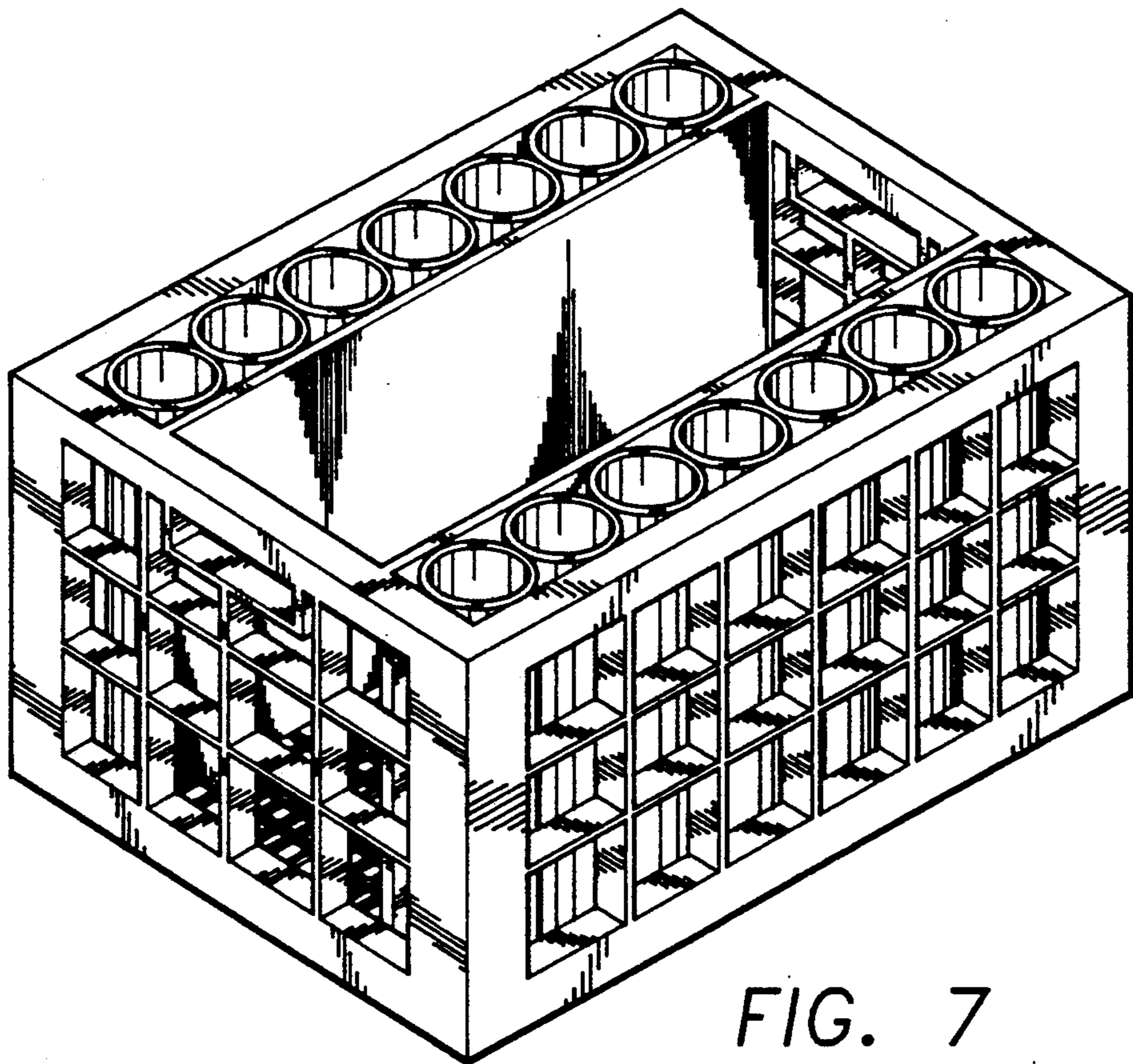


FIG. 7

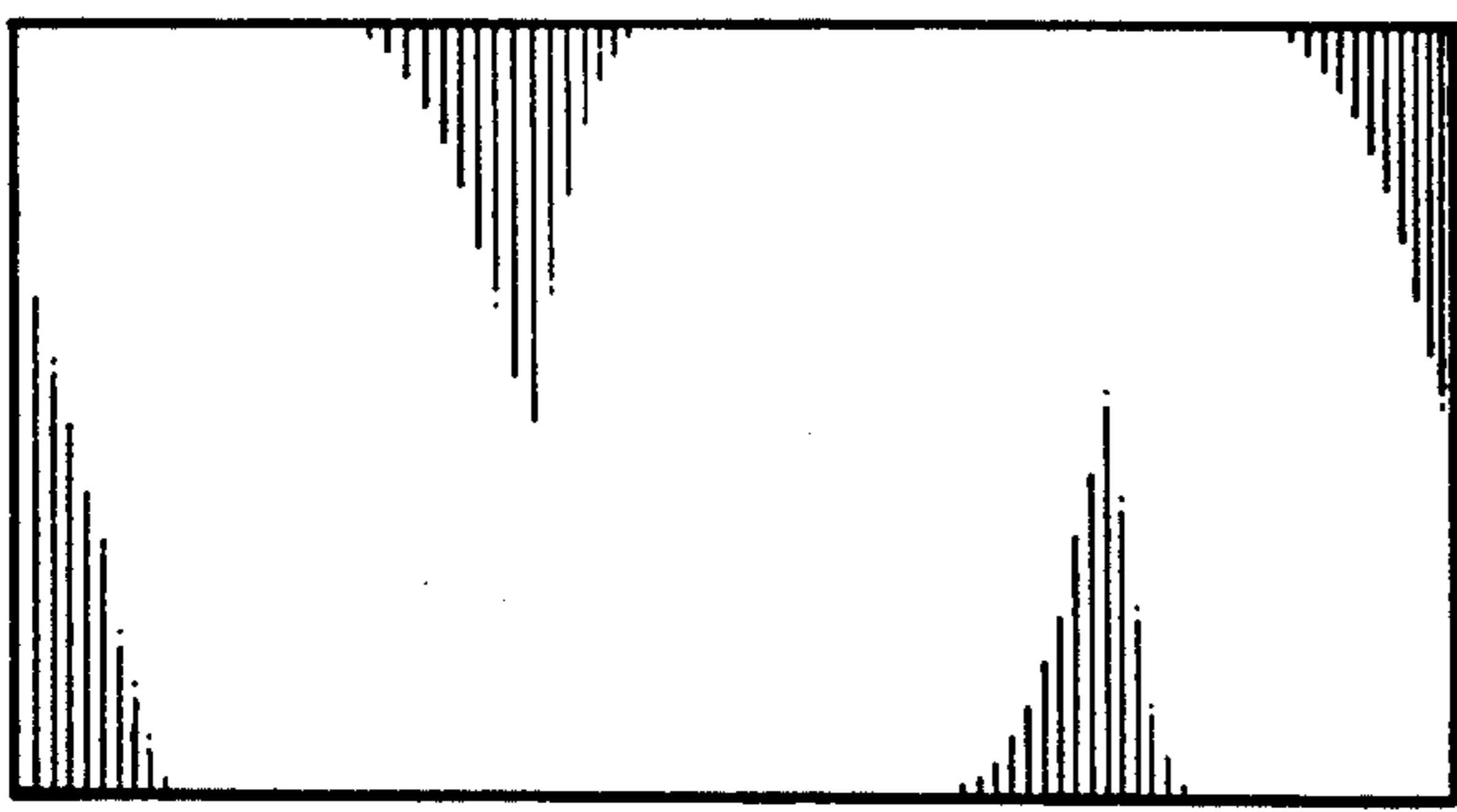


FIG. 8

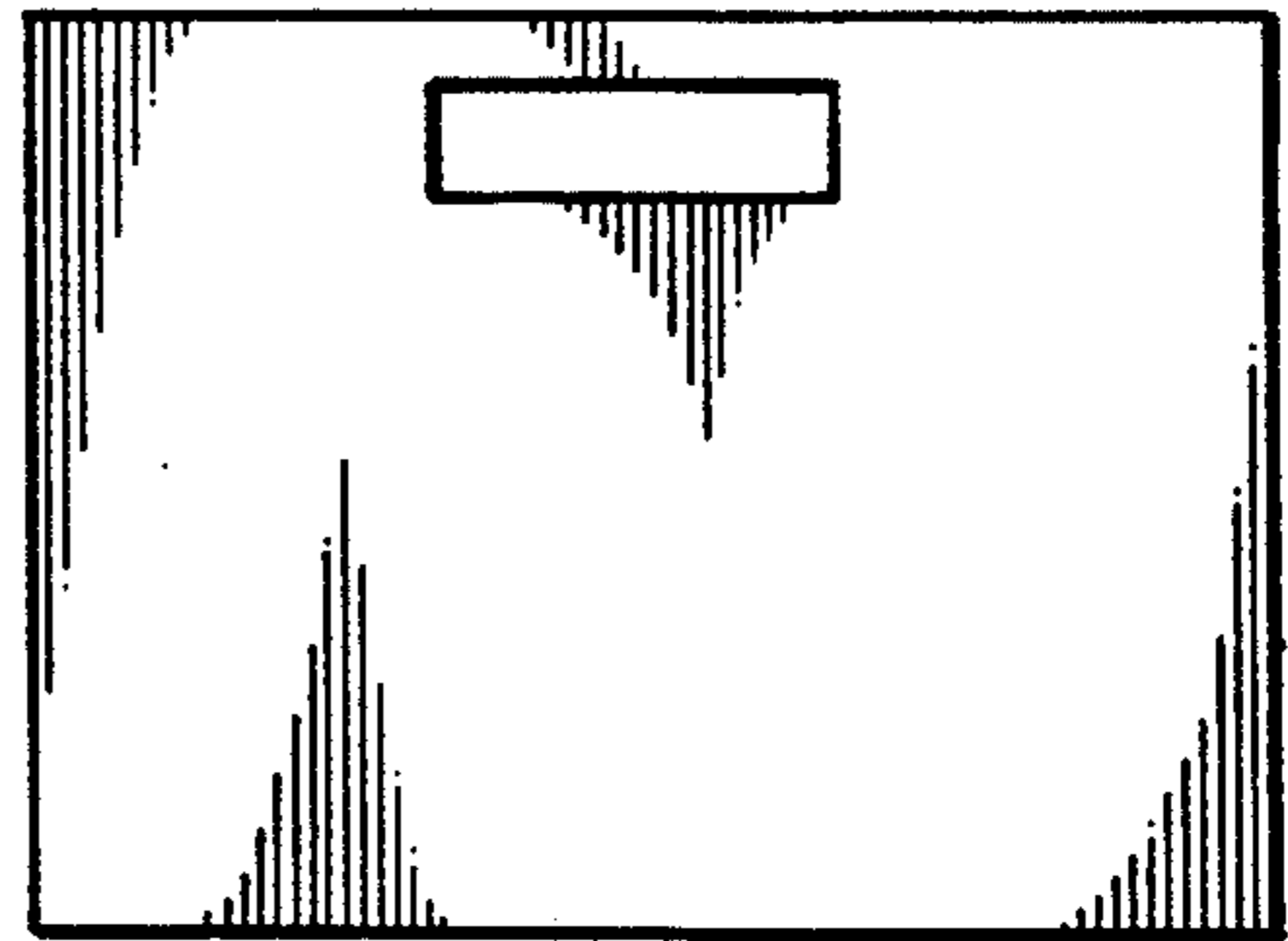


FIG. 9

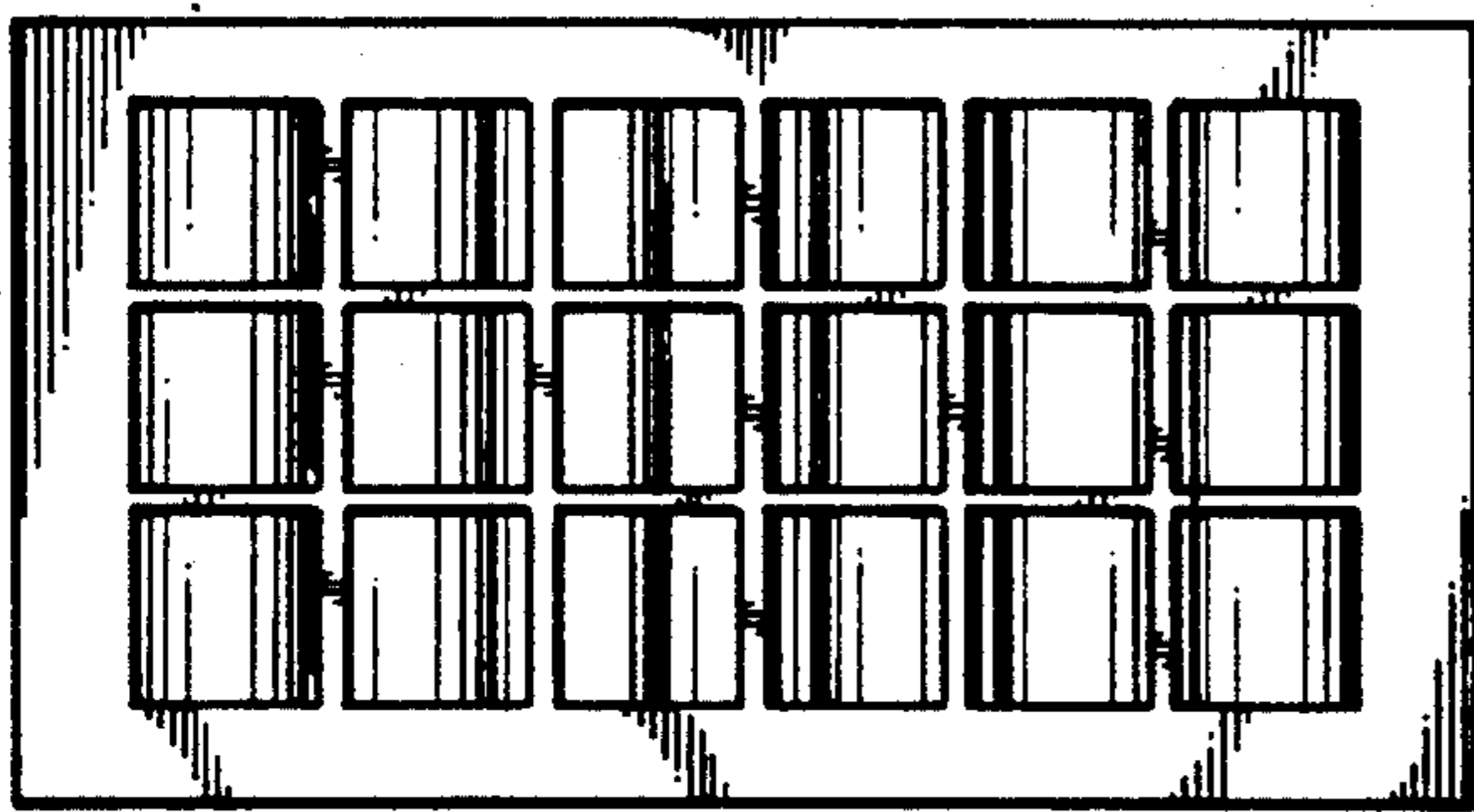


FIG. 10

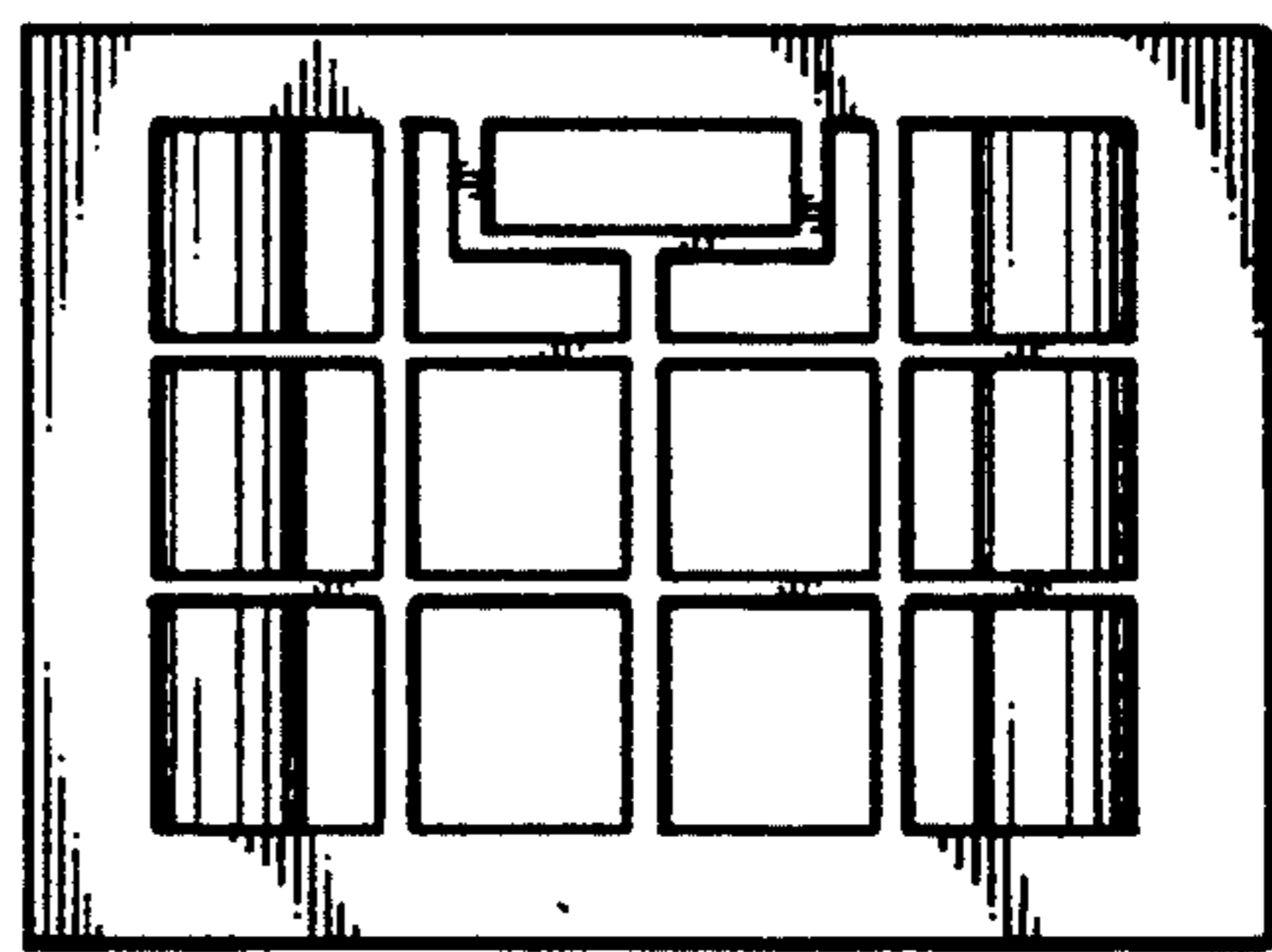


FIG. 11

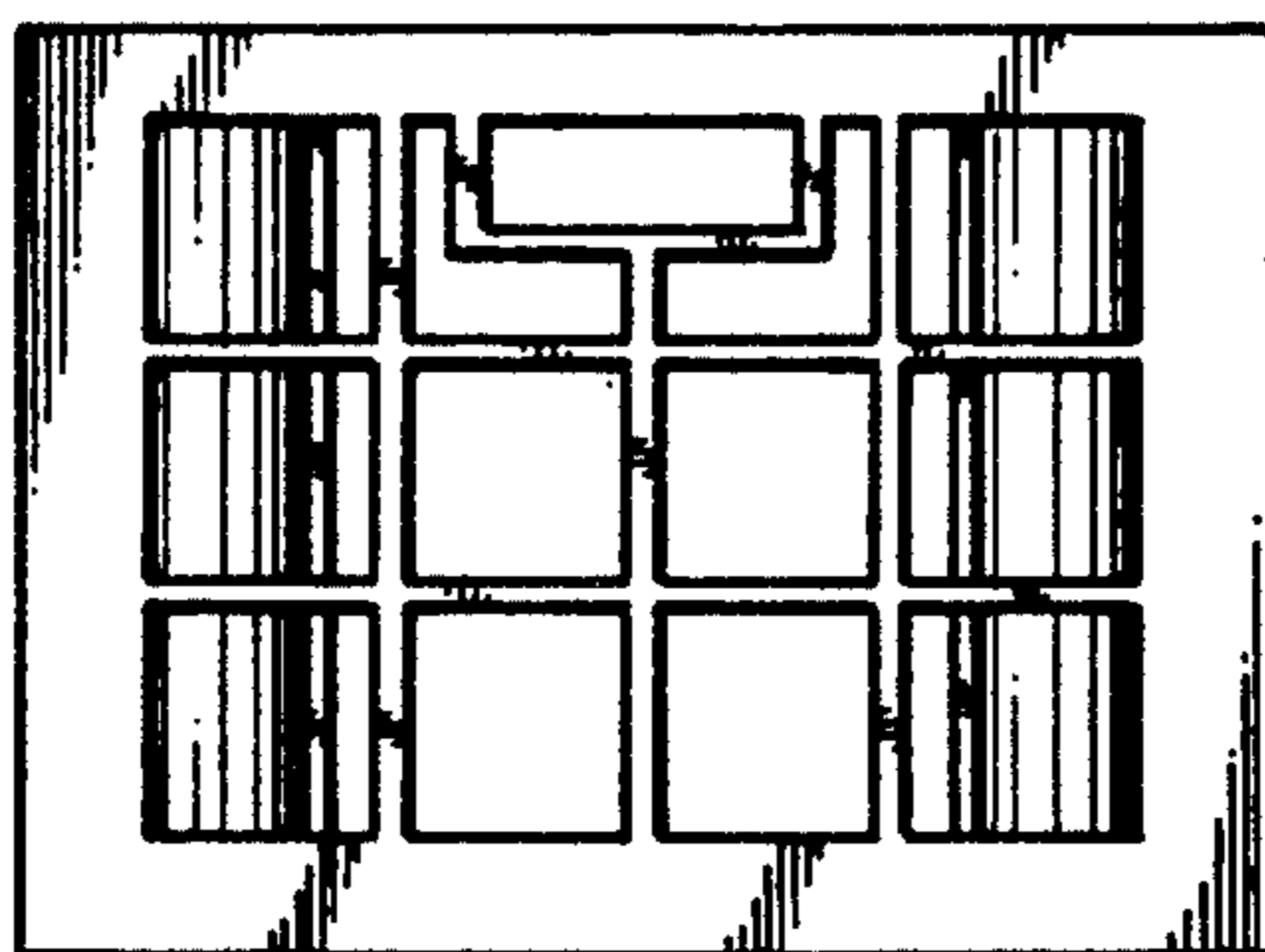


FIG. 12