



US00D329656S

# United States Patent [19]

[11] Patent Number: Des. 329,656

Shishikura

[45] Date of Patent: \*\* Sep. 22, 1992

[54] SINGLE-LENS REFLEX CAMERA BODY

[75] Inventor: Takenao Shishikura, Tokyo, Japan

[73] Assignee: Asahi Kogaku Kogyo K.K., Tokyo, Japan

[\*\*] Term: 14 Years

[21] Appl. No.: 569,663

[22] Filed: Aug. 20, 1990

[30] Foreign Application Priority Data

Feb. 27, 1990 [JP] Japan ..... 2-6218

Feb. 27, 1990 [JP] Japan ..... 2-6219

[52] U.S. Cl. .... D16/217

[58] Field of Search ..... D16/200, 208, 209, 216-218; 354/126, 149.11, 152, 202, 288, 195.1

[56] References Cited

U.S. PATENT DOCUMENTS

- D. 304,729 11/1989 Sugiyama et al. .... D16/217
- D. 304,837 11/1989 Onuma ..... D16/217
- D. 304,838 11/1989 Yamamoto ..... D16/217
- D. 306,742 3/1990 Goto ..... D16/217
- D. 317,929 7/1991 Tanaka et al. .... D16/217
- D. 318,678 7/1991 Tanaka et al. .... D16/217
- 4,406,533 9/1983 Yamamoto ..... 354/288 A

Primary Examiner—Melvin B. Feifer

Assistant Examiner—Adir Aronovich  
Attorney, Agent, or Firm—Sughrue, Mion, Zinn,  
Macpeak & Seas

[57] CLAIM

The ornamental design for a single-lens reflex camera body, as shown and described.

DESCRIPTION

FIG. 1 is a front, top and right side perspective view of a single-lens reflex camera body showing my new design;

FIG. 2 is a front, top and left side perspective view thereof;

FIG. 3 is a front elevational view thereof;

FIG. 4 is a rear elevational view thereof;

FIG. 5 is a top plan view thereof;

FIG. 6 is a bottom plan view thereof;

FIG. 7 is a left side elevational view thereof;

FIG. 8 is a right side elevational view thereof;

FIG. 9 is a front elevational view of a modified form of a single-lens reflex camera body showing my new design;

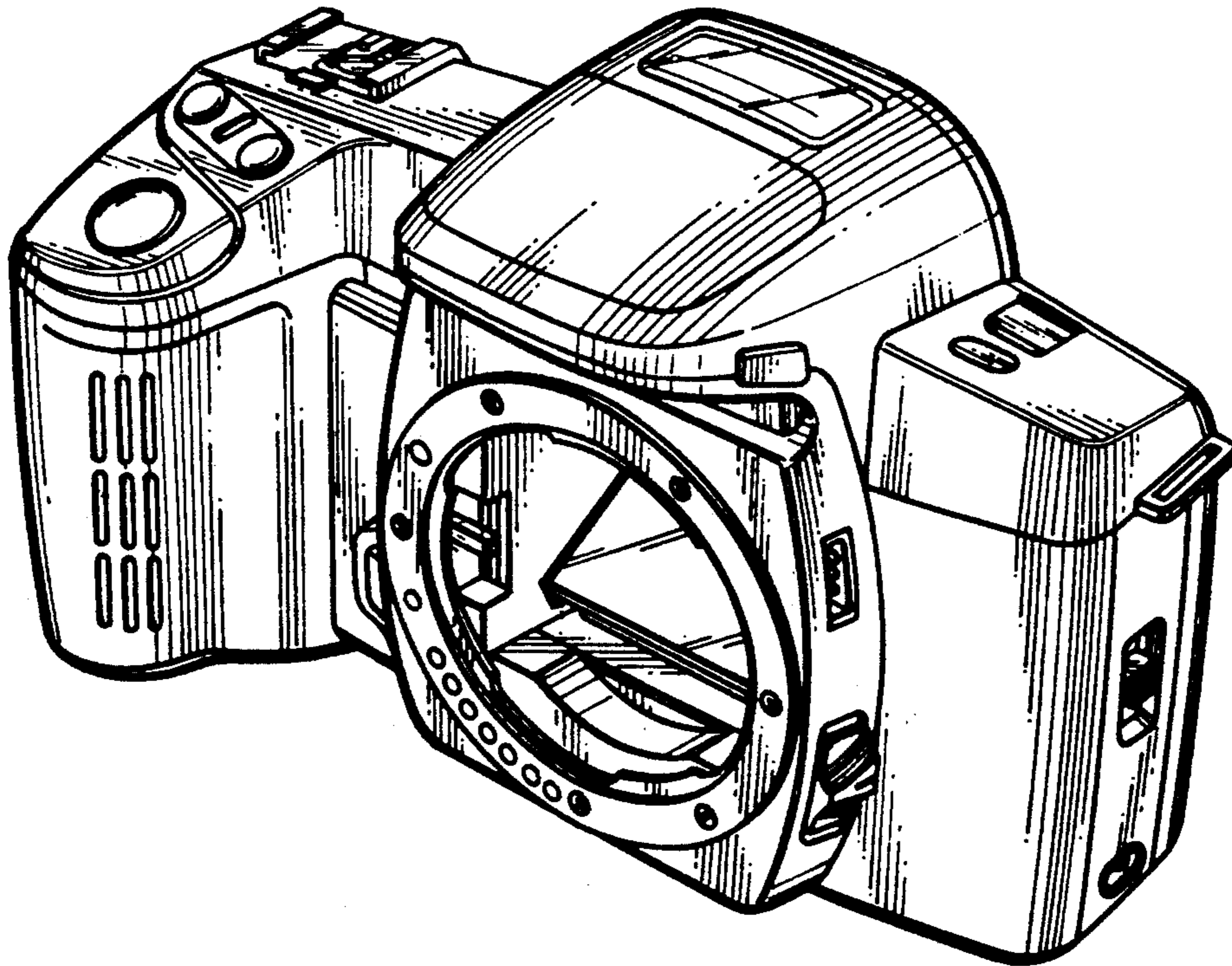
FIG. 10 is a rear elevational view thereof;

FIG. 11 is a top plan view thereof;

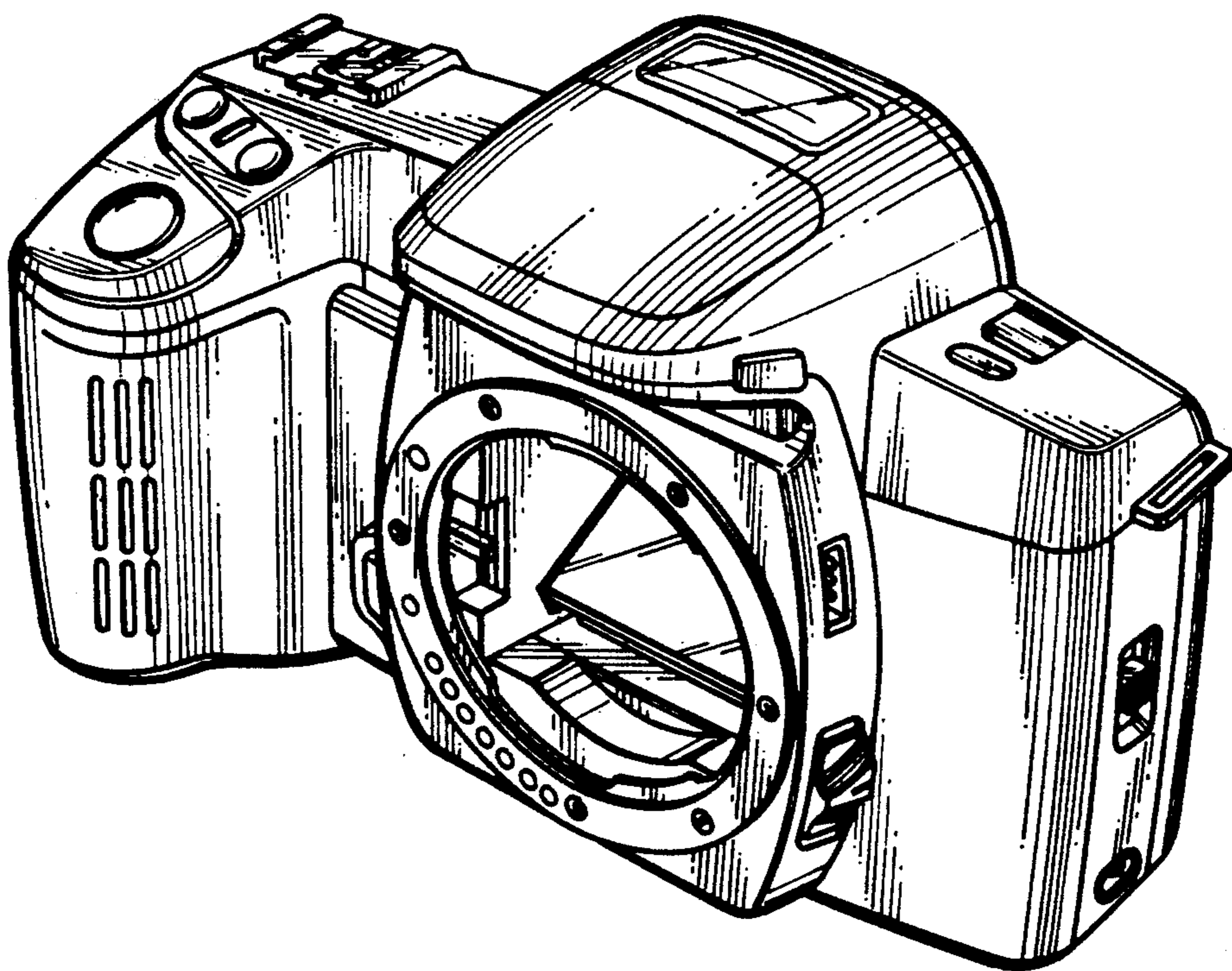
FIG. 12 is a bottom plan view thereof;

FIG. 13 is a left side elevational view thereof; and,

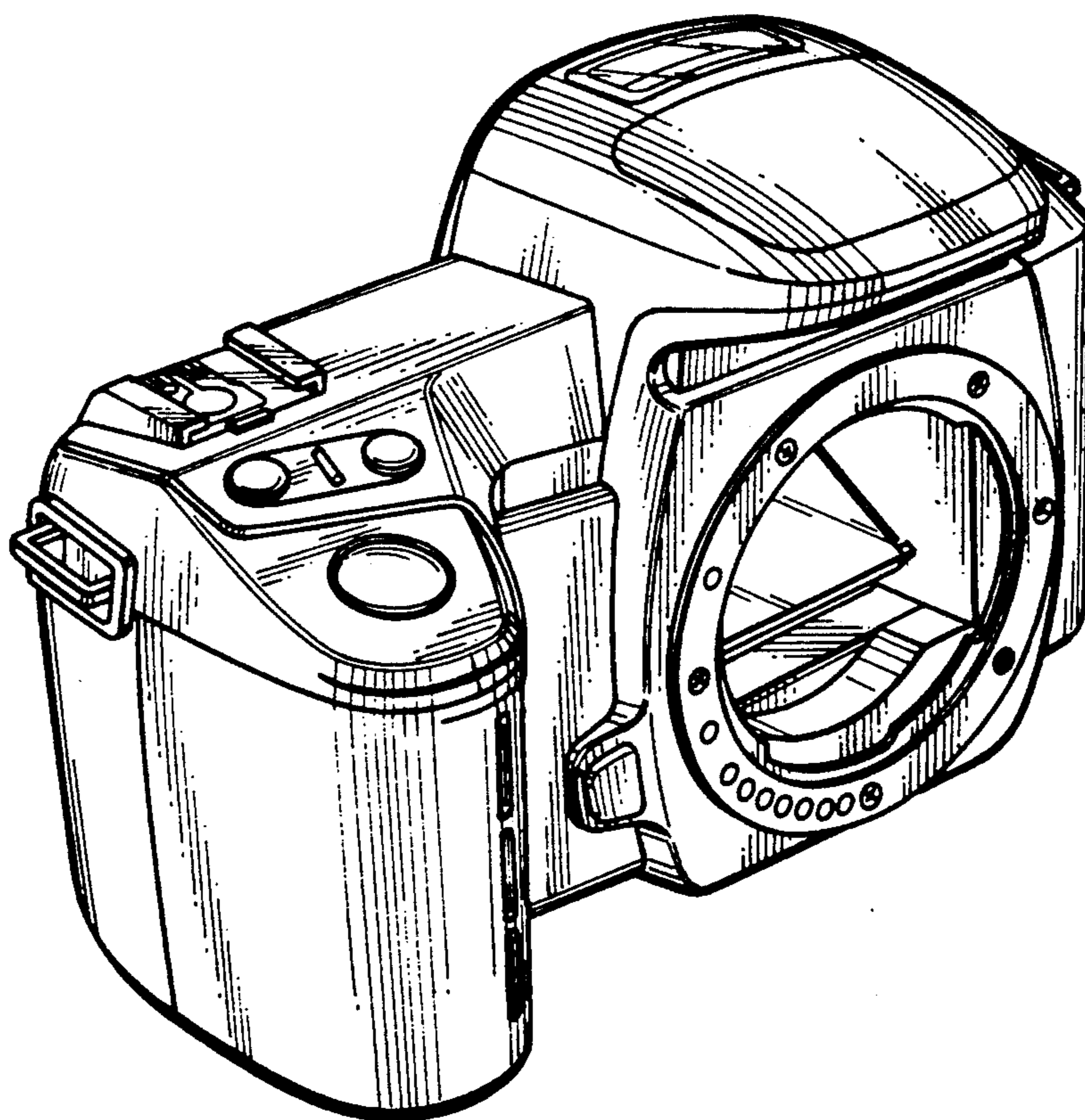
FIG. 14 is a right side elevational view thereof.



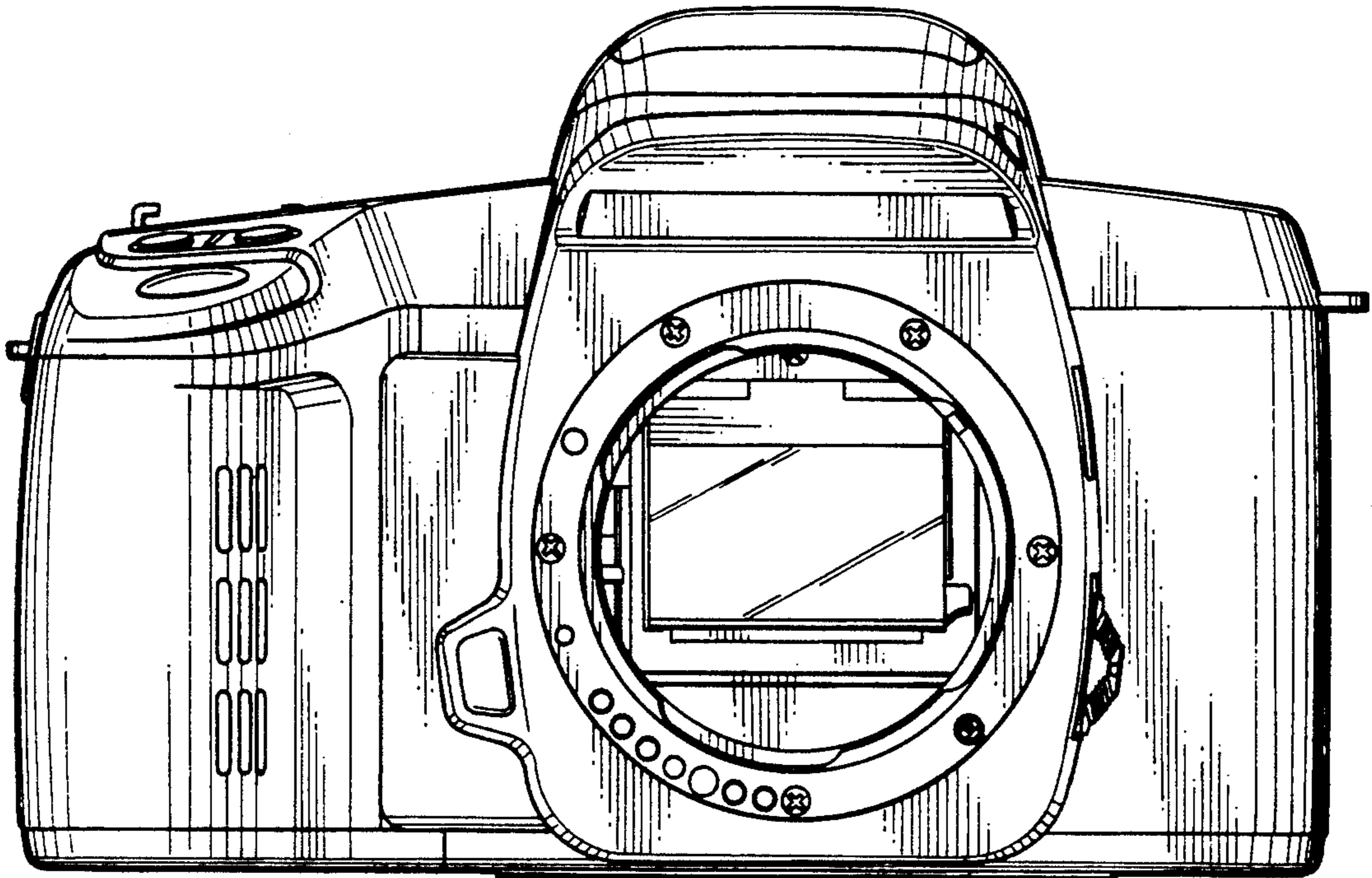
*Fig. 1*



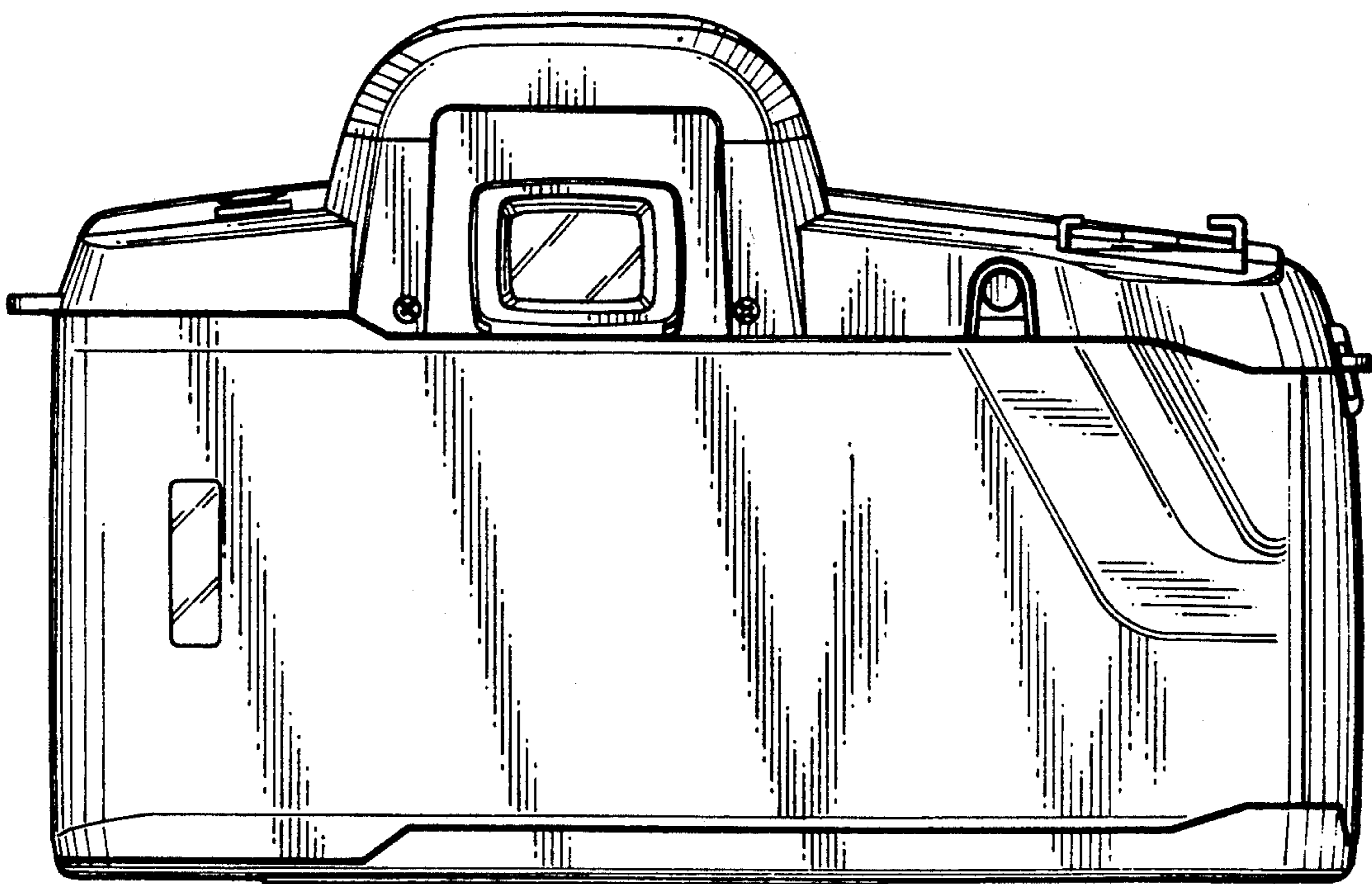
*Fig. 2*



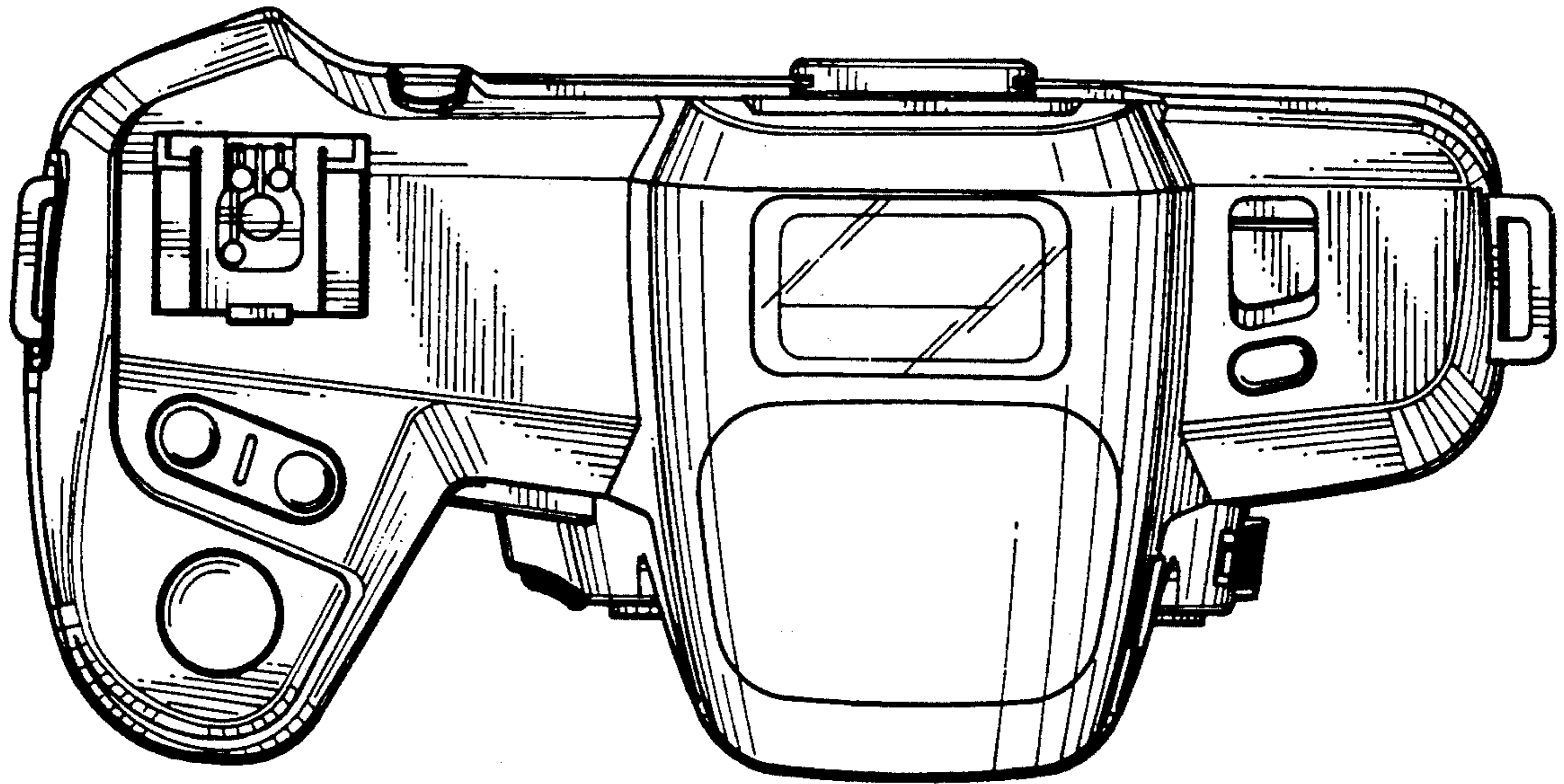
*Fig. 3*



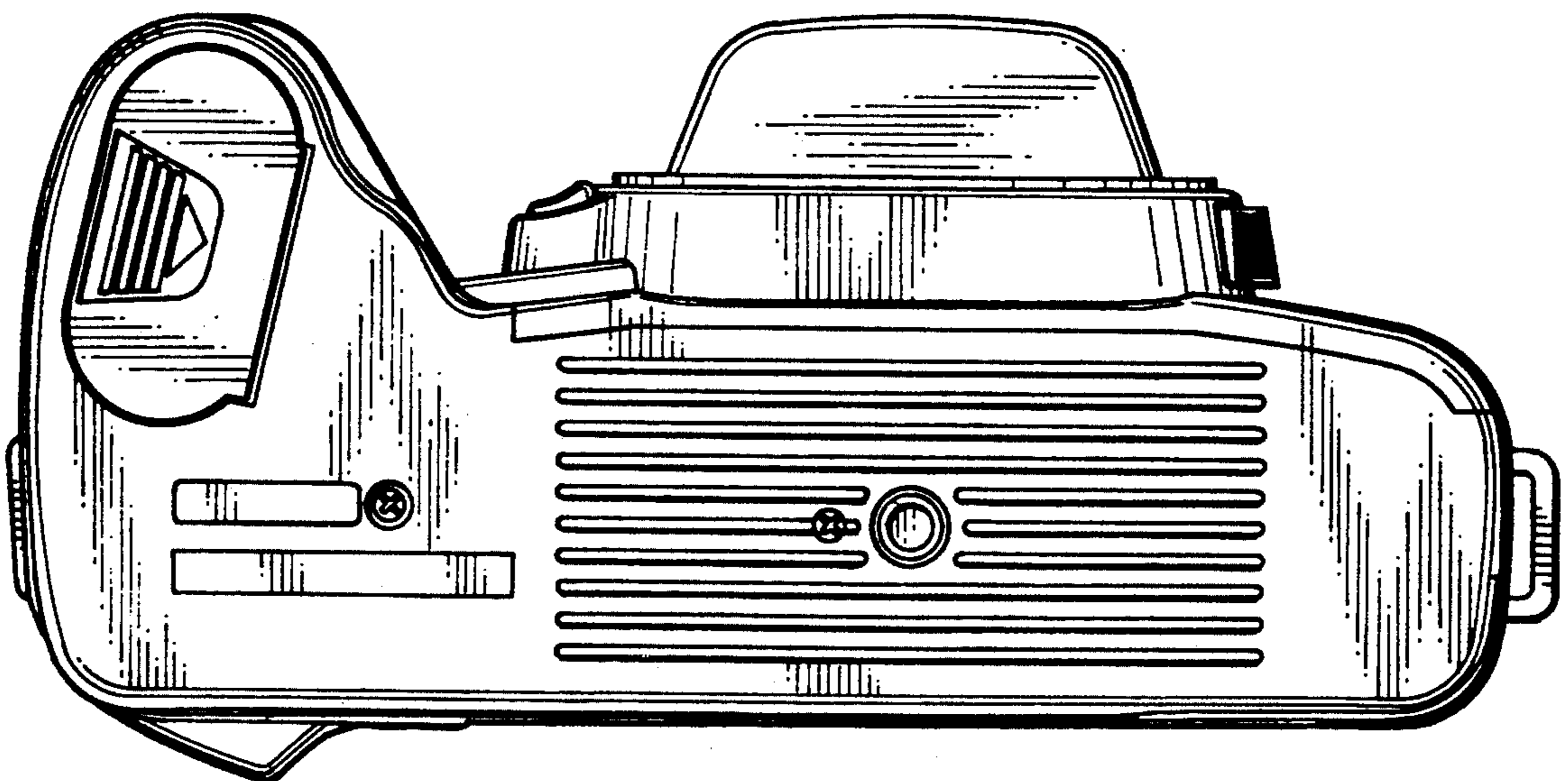
*Fig. 4*



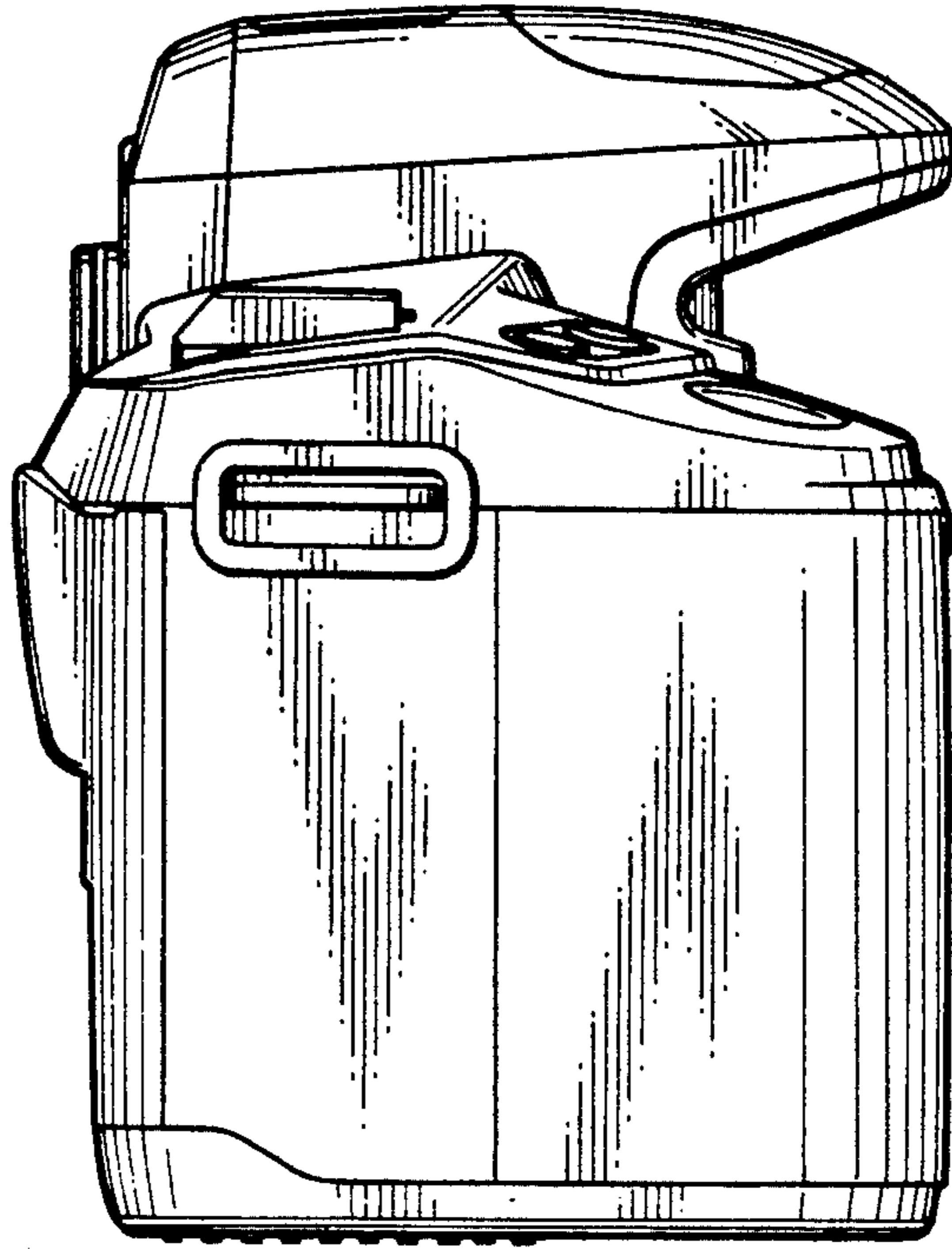
*Fig. 5*



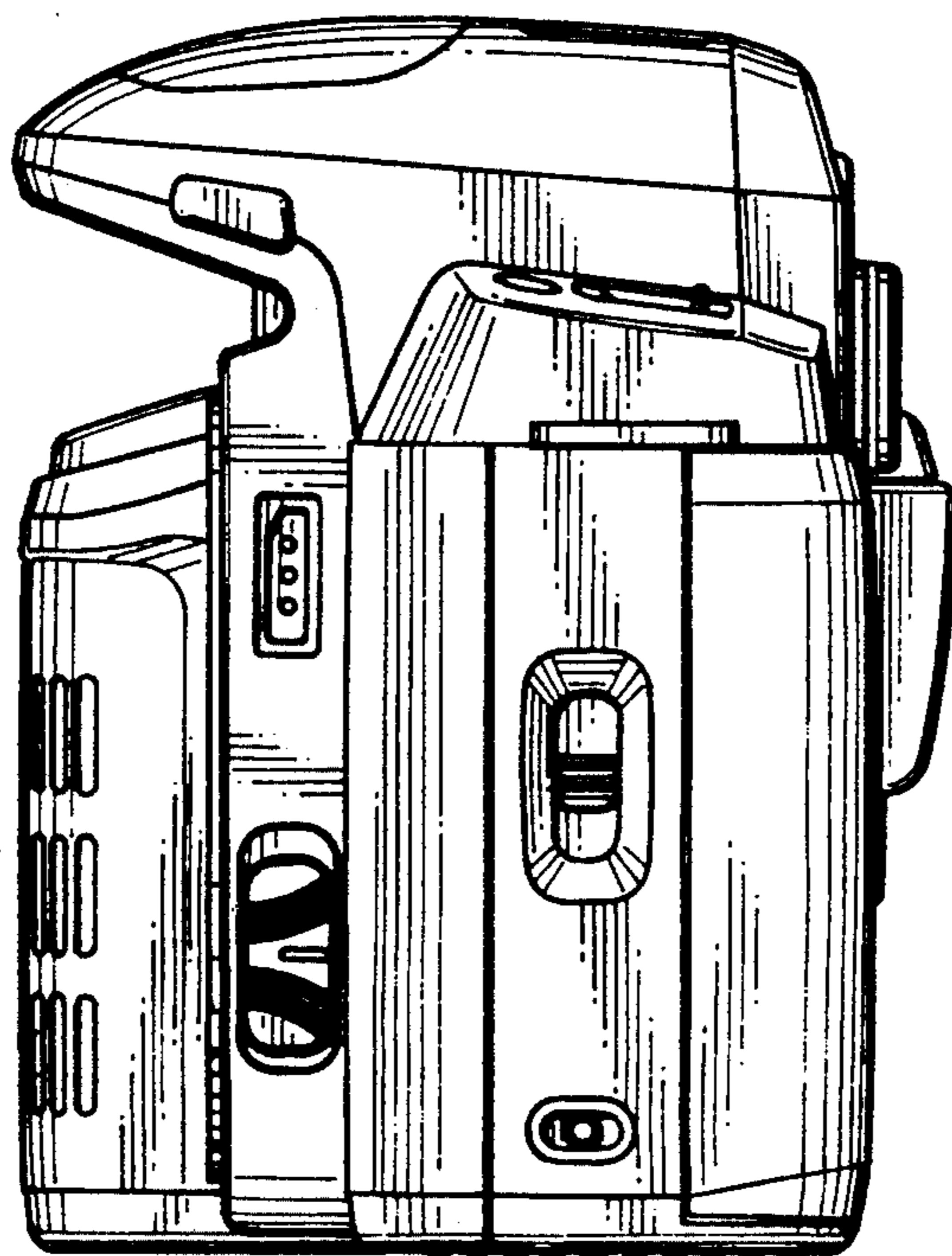
*Fig. 6*



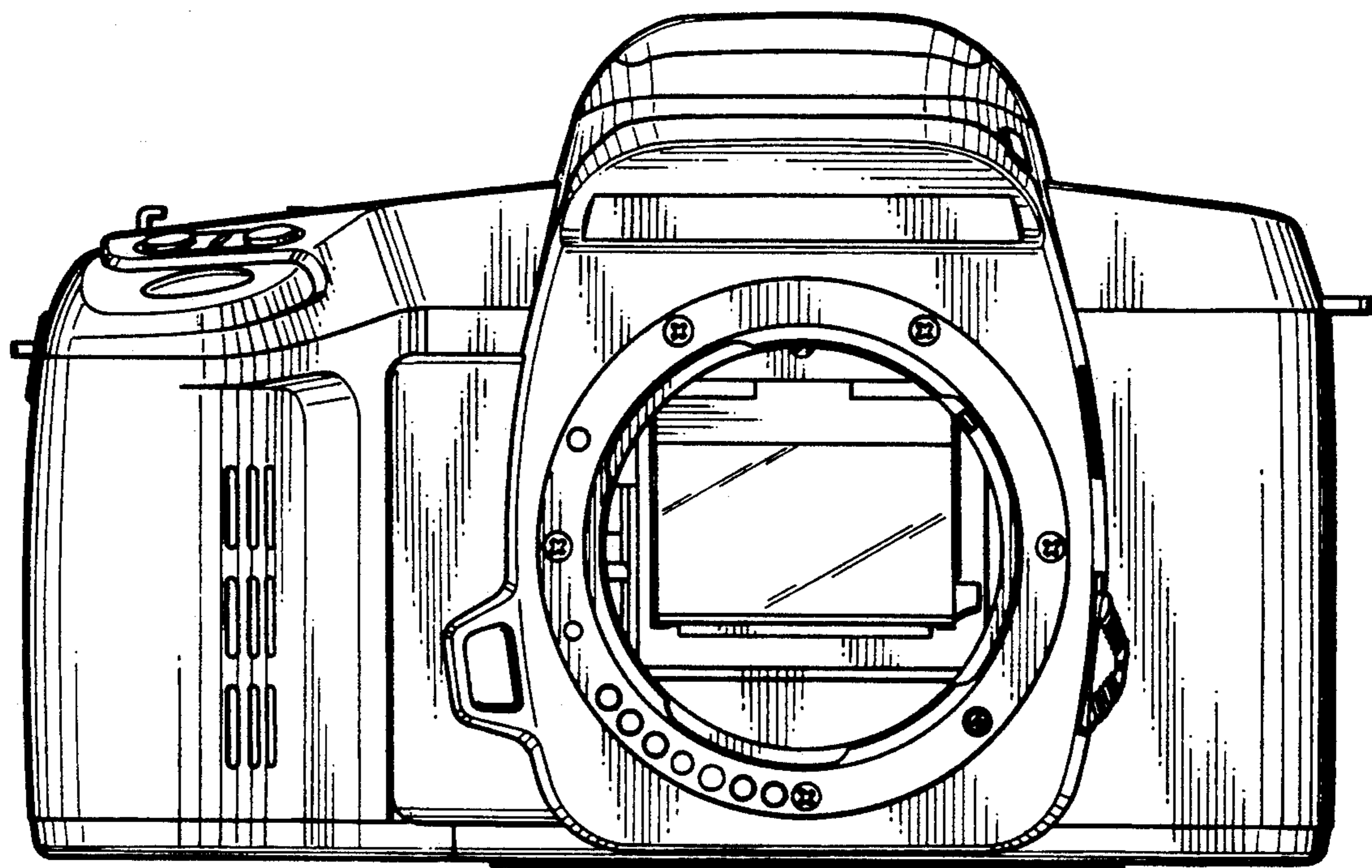
*Fig. 7*



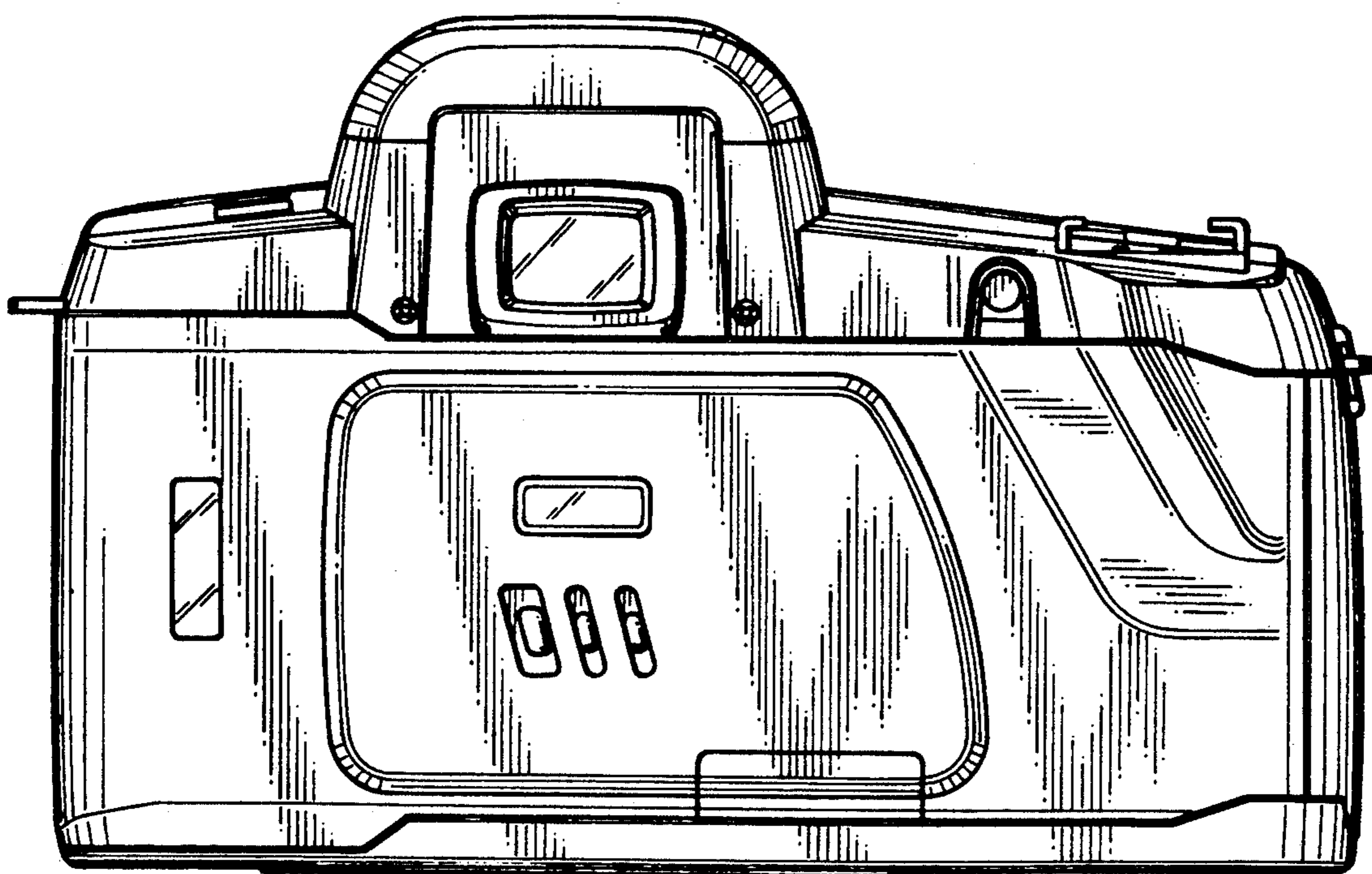
*Fig. 8*



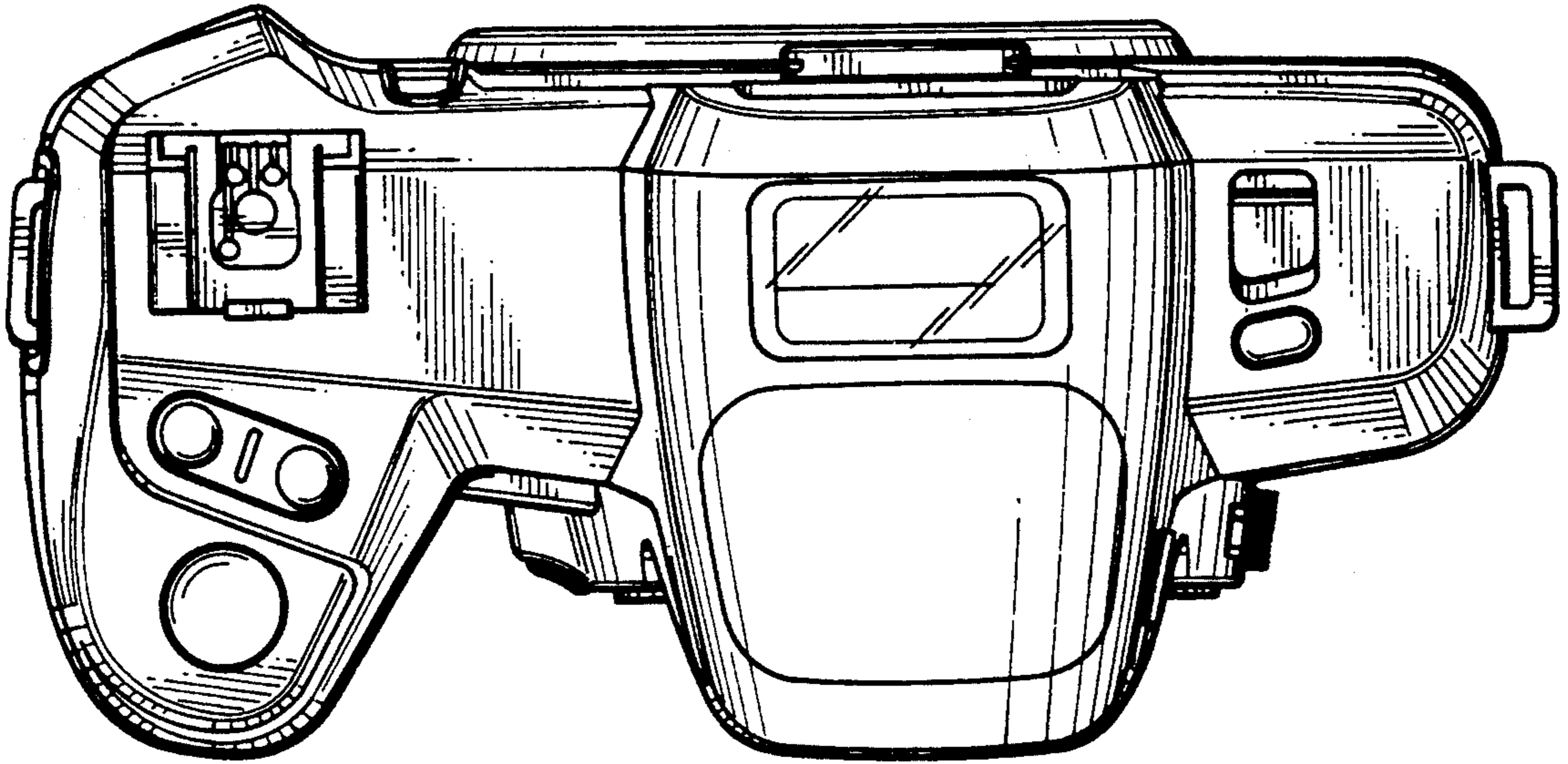
*Fig. 9*



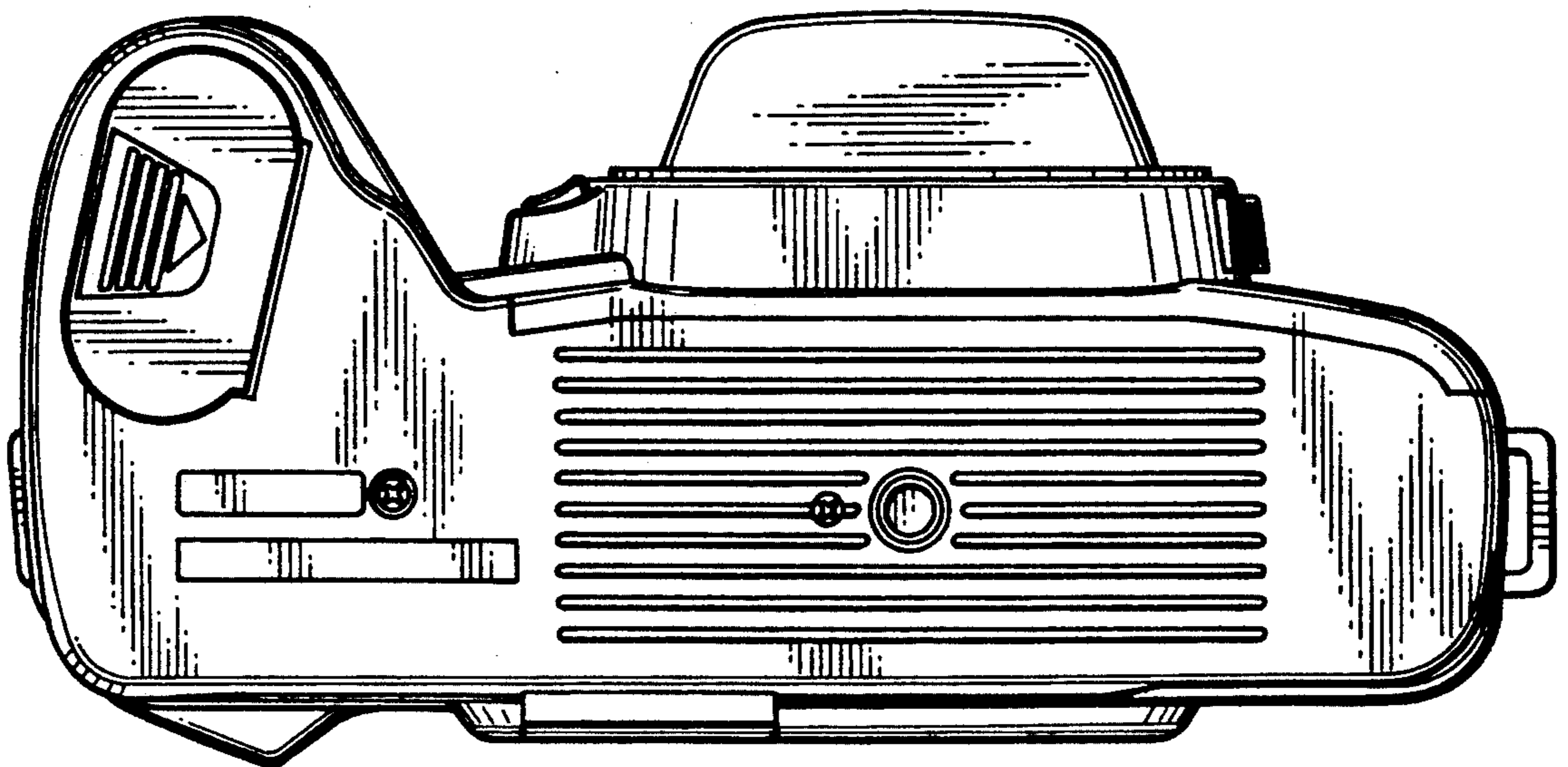
*Fig. 10*



*Fig. 11*

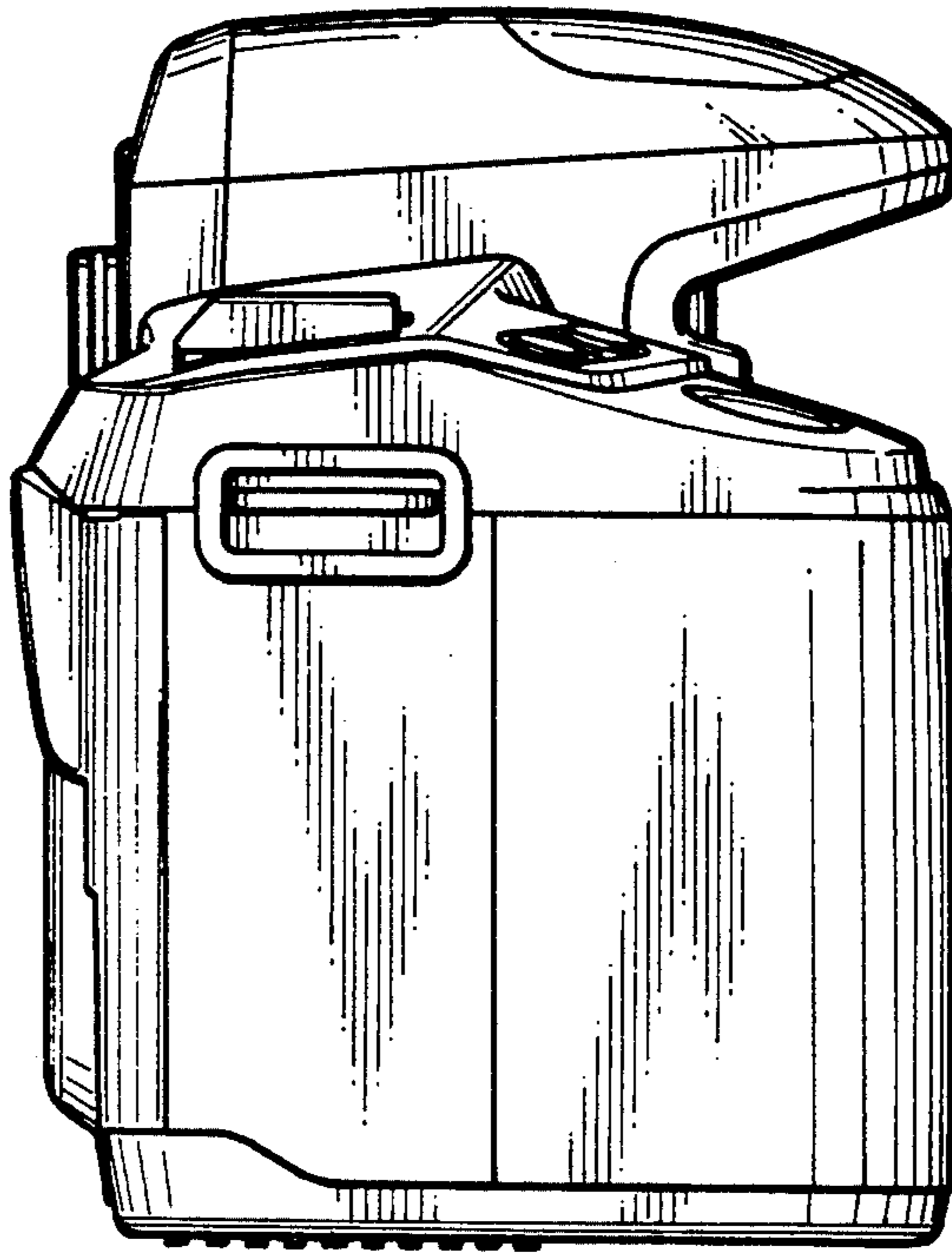


*Fig. 12*





*Fig. 13*



*Fig. 14*

