



US00D329654S

# United States Patent [19] Smith

[11] Patent Number: **Des. 329,654**  
[45] Date of Patent: **\*\* Sep. 22, 1992**

[54] **PORTABLE LINE-BORING MACHINE**

[76] Inventor: **Robert J. Smith, 430 Coventry Rd., Hoyt Lakes, Minn. 55750**

[\*\*] Term: **14 Years**

[21] Appl. No.: **486,196**

[22] Filed: **Feb. 28, 1990**

[52] U.S. Cl. .... **D15/132**

[58] Field of Search ..... **D15/132; 29/26 B; 408/1 R, 236, 102, 110, 111, 124, 125, 135, 138, 705, 708**

4,011,793	3/1977	Grimsley .	
4,050,836	9/1977	Anders .	
4,175,471	11/1979	Wilger et al. .	
4,359,917	11/1982	Wilger et al. .	
4,406,566	9/1983	Bauer .	
4,427,324	1/1984	Fransson et al. .	
4,527,039	7/1985	Fuwesi .	
4,550,235	10/1985	Fuwesi .	
4,580,931	4/1986	Wilger et al. .	
4,652,186	3/1987	Sverdlin .	
4,850,756	7/1989	Dubois .	
4,932,814	6/1990	York .....	408/111 X
4,997,321	3/1991	Adams .....	408/80
5,030,041	7/1991	Marron .....	408/80 X

[56] **References Cited**

**U.S. PATENT DOCUMENTS**

D. 180,614	7/1957	Osborn .....	D15/132
349,963	9/1886	Watson et al. .	
807,755	12/1905	Loyd .	
1,217,481	2/1917	Mewes .	
1,461,877	7/1923	Hansen .	
2,167,673	8/1939	Oberhoffken .	
2,392,564	1/1946	Wrenn .	
2,416,402	2/1947	Mitchell .	
2,638,802	5/1953	Foussard .	
2,645,139	7/1953	Beauloye et al. .	
2,657,595	11/1953	Shaff .	
3,141,364	7/1964	Kelley et al. .	
3,234,826	2/1966	Gill .	
3,640,147	2/1972	Fantoni .	
3,751,175	8/1973	Brooks .	
3,767,316	10/1973	Dumont, Jr. .	
3,881,396	5/1975	Case .....	408/80 X

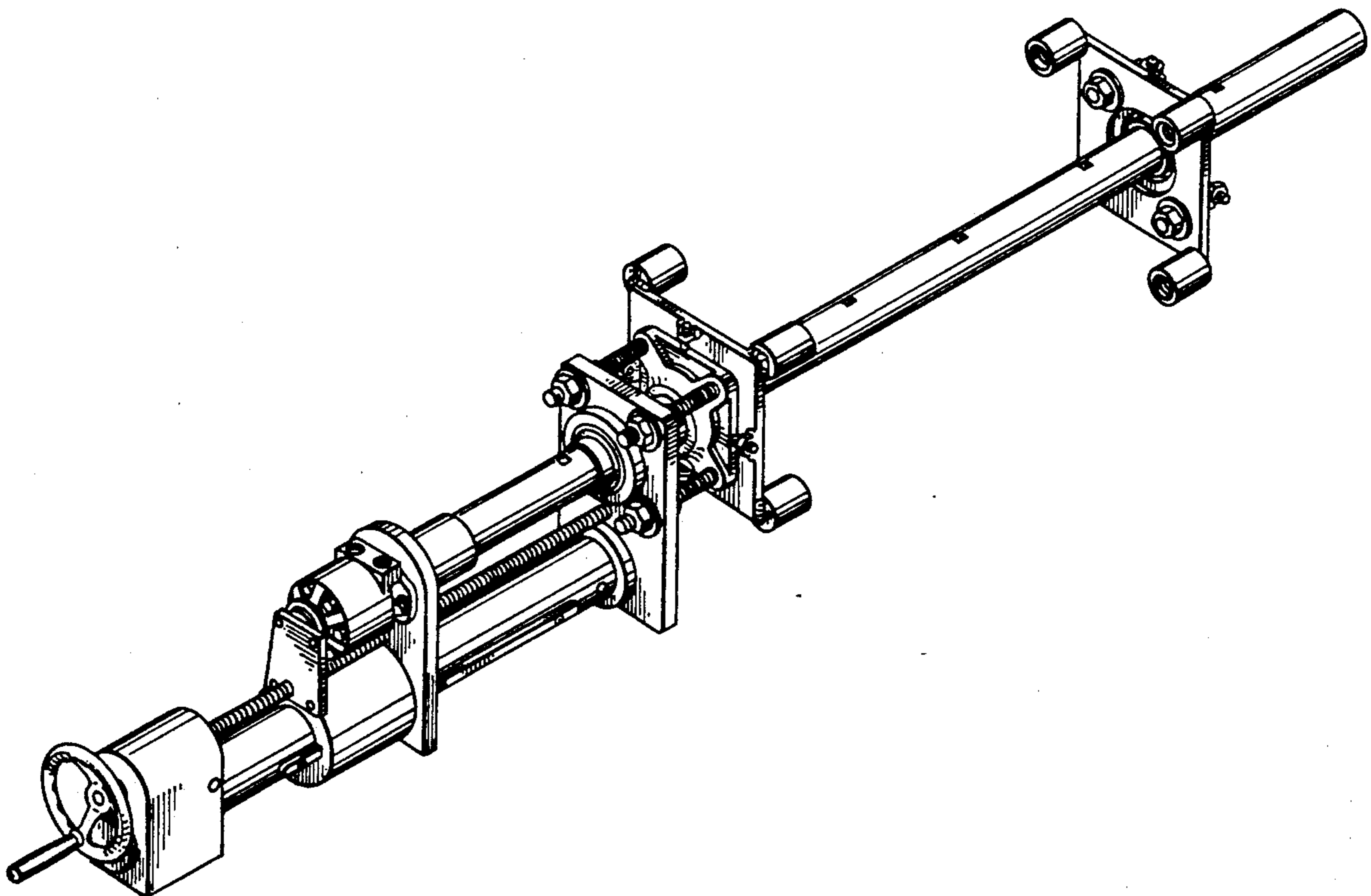
*Primary Examiner*—Donald P. Walsh  
*Assistant Examiner*—Antoine D. Davis  
*Attorney, Agent, or Firm*—Palmatier & Sjoquist

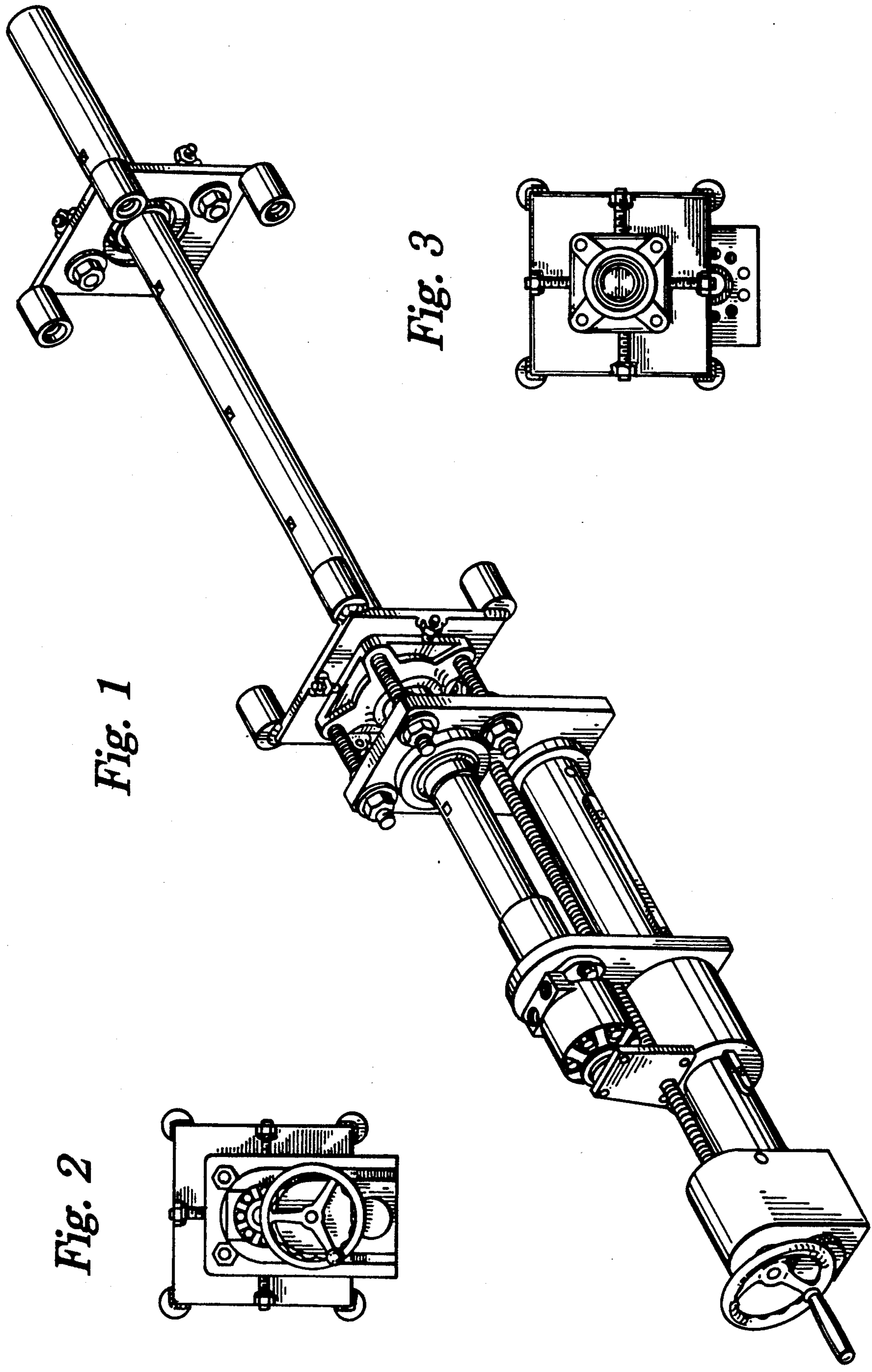
[57] **CLAIM**

The ornamental design for a portable line-boring machine, as shown.

**DESCRIPTION**

FIG. 1 is a top, front and right side perspective view of a portable line-boring machine showing my new design; FIG. 2 is a front elevational view; FIG. 3 is a rear elevational view; FIG. 4 is a left side elevational view; FIG. 5 is a top plan view; and, FIG. 6 is a bottom plan view thereof. FIG. 1 has been drawn on an enlarged scale with respect to FIGS. 2-6.



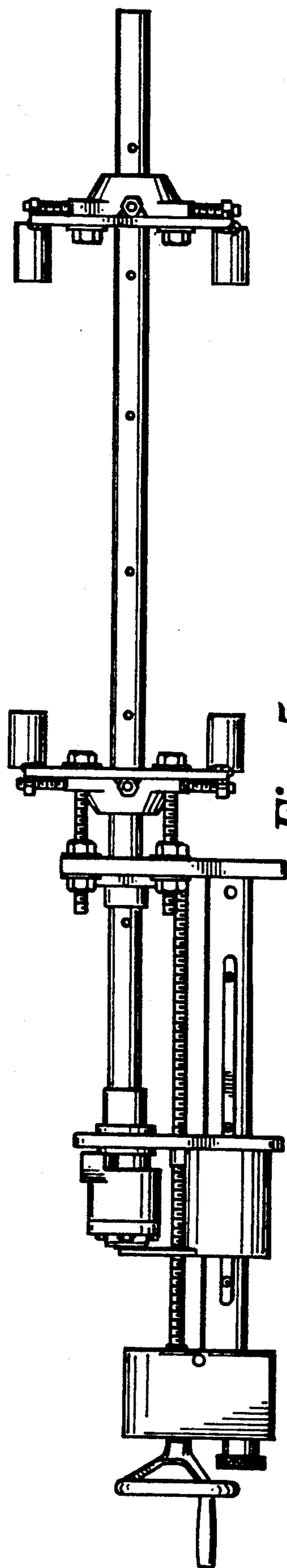


*Fig. 2*

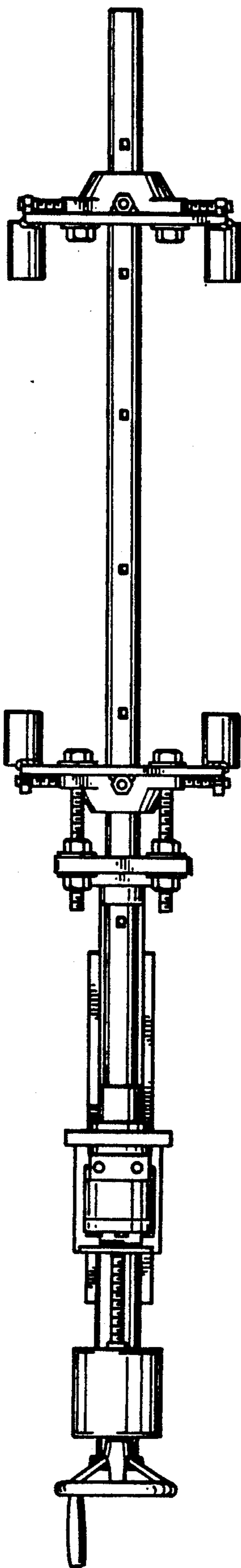
*Fig. 1*

*Fig. 3*

*Fig. 4*



*Fig. 5*



*Fig. 6*

