



US00D329634S

United States Patent [19]

[11] Patent Number: **Des. 329,634**

Mizusugi et al.

[45] Date of Patent: **** Sep. 22, 1992**

[54] **BATTERY CASE FOR A NOTEBOOK COMPUTER**

[56] **References Cited**

[75] Inventors: **Kanji Mizusugi; Kensho Tsuji; Fumikazu Shimanuki**, all of Osaka, Japan

U.S. PATENT DOCUMENTS

D. 243,617 3/1977 Kaye D13/103
D. 304,172 10/1989 Sogabe et al. D13/103

[73] Assignee: **Sharp Corporation**, Osaka, Japan

Primary Examiner—Wallace R. Burke
Assistant Examiner—Joel Sincavage
Attorney, Agent, or Firm—Flehr, Hohbach, Test, Albritton & Herbert

[**] Term: **14 Years**

[57] **CLAIM**

[21] Appl. No.: **584,183**

The ornamental design for a battery case for a notebook computer, as shown and described.

[22] Filed: **Sep. 18, 1990**

DESCRIPTION

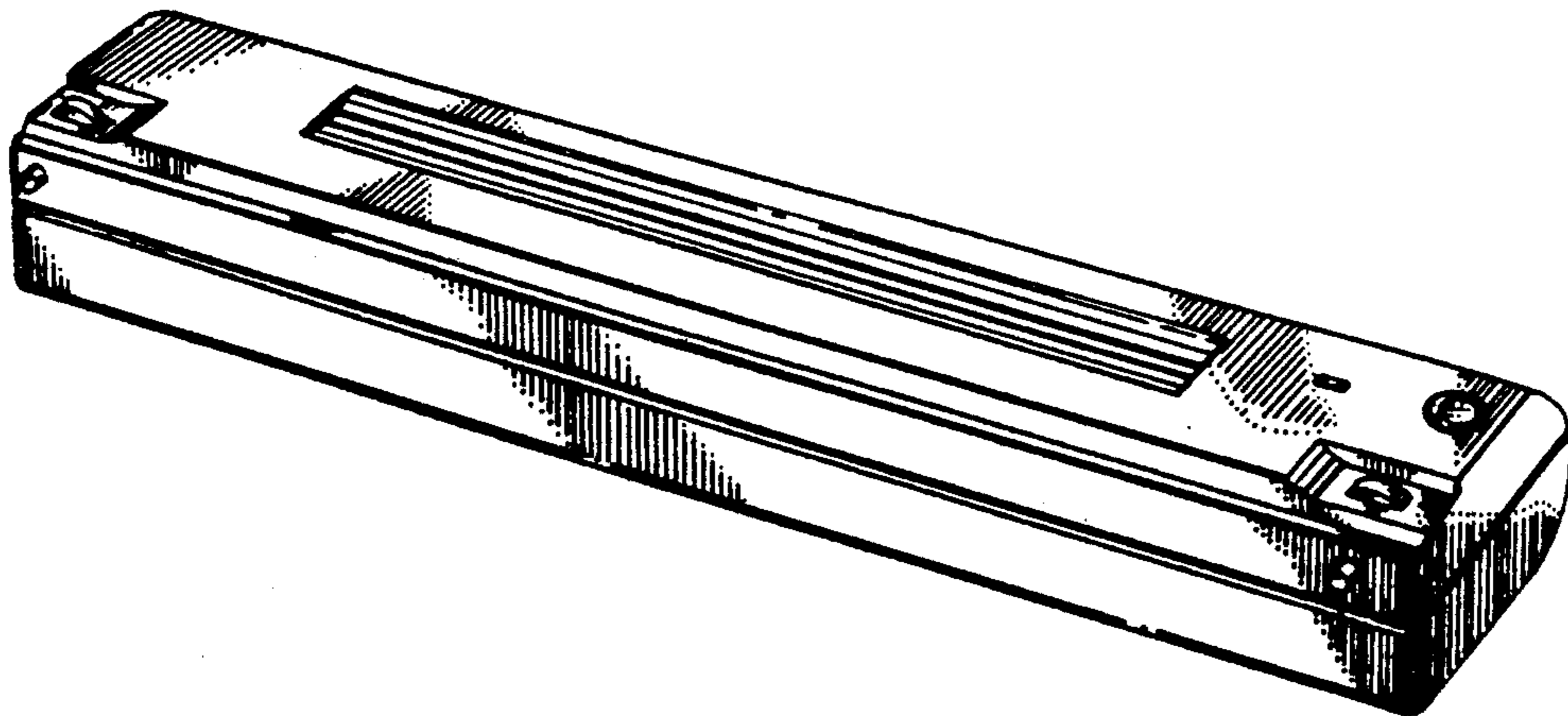
[30] **Foreign Application Priority Data**

Mar. 20, 1990 [JP] Japan 2-9338

FIG. 1 is a perspective view of a battery case for a notebook computer showing the new design; FIG. 2 is a front elevational view thereof; FIG. 3 is a rear elevational view thereof; FIG. 4 is a top plan view thereof; FIG. 5 is a bottom plan view thereof; FIG. 6 is a right side elevational view thereof; and, FIG. 7 is a left side elevational view thereof.

[52] U.S. Cl. **D13/103**

[58] Field of Search **D13/103; D14/114; 429/163, 176**



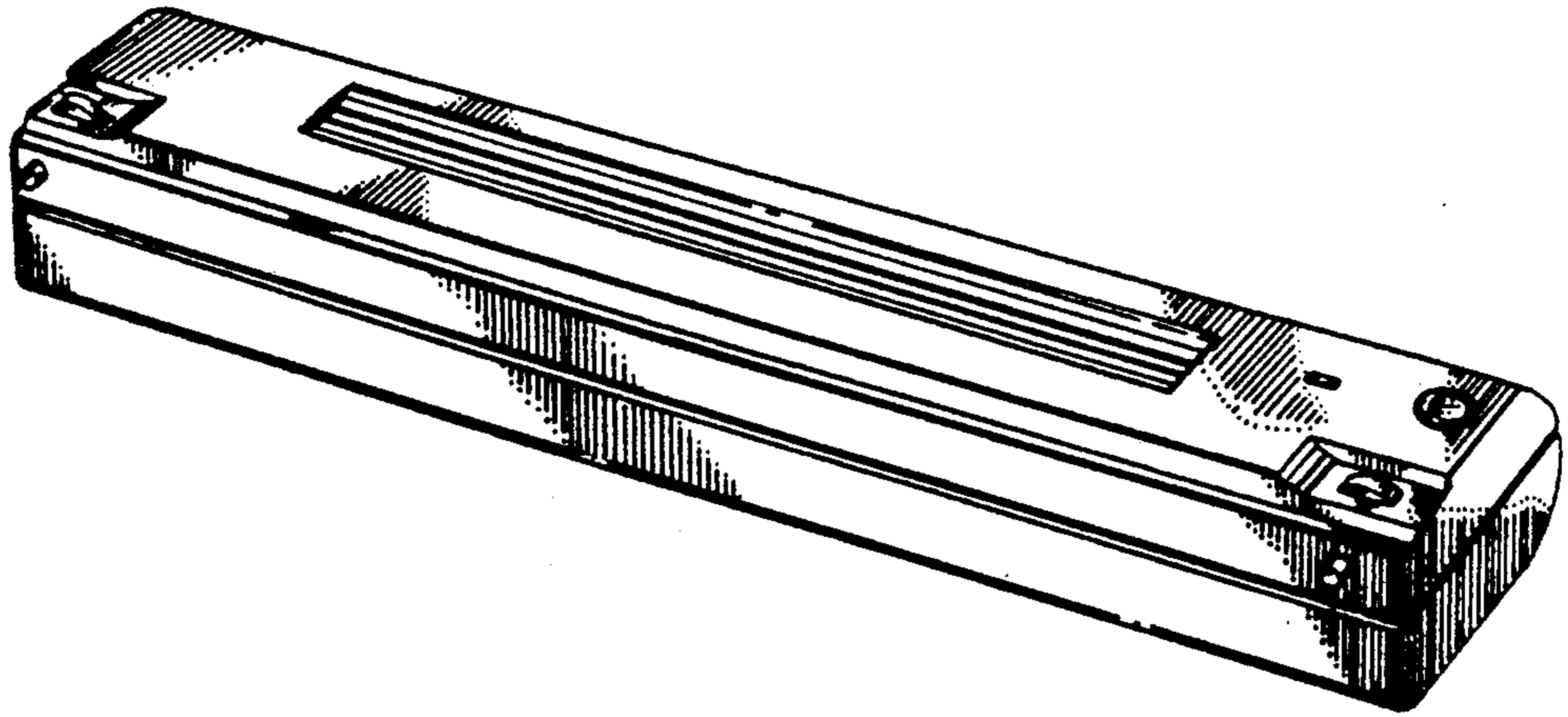


FIG. - 1

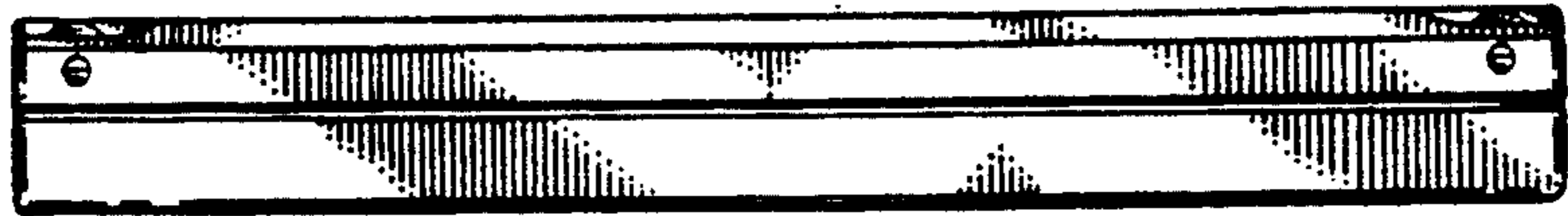


FIG. - 2

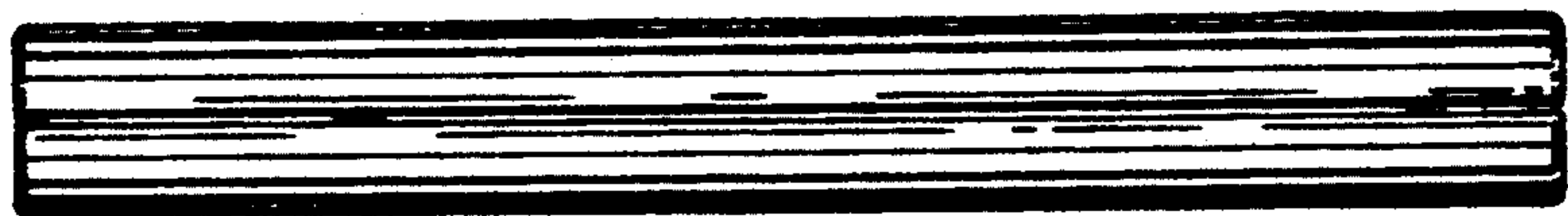


FIG. - 3

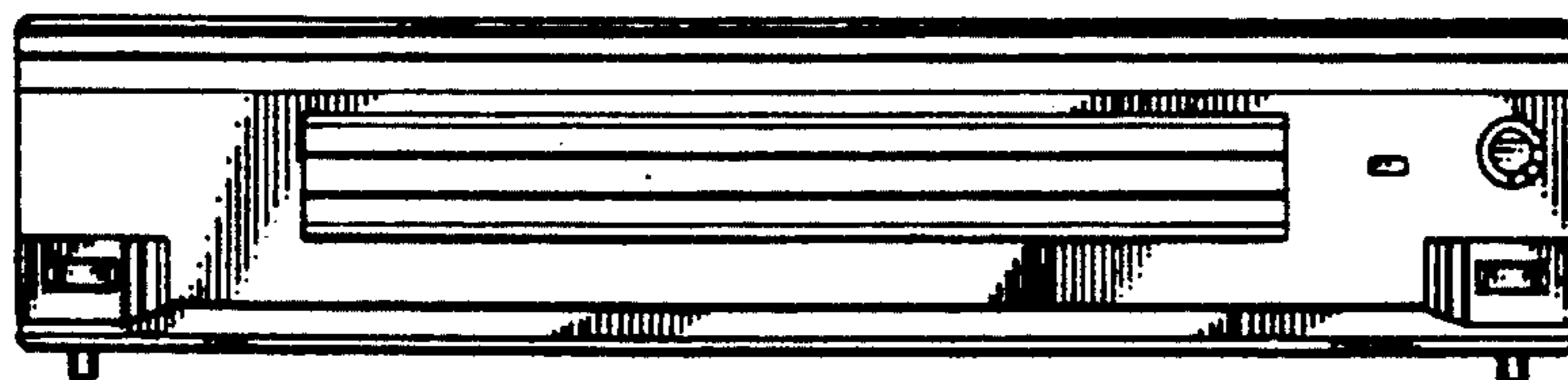


FIG. -4

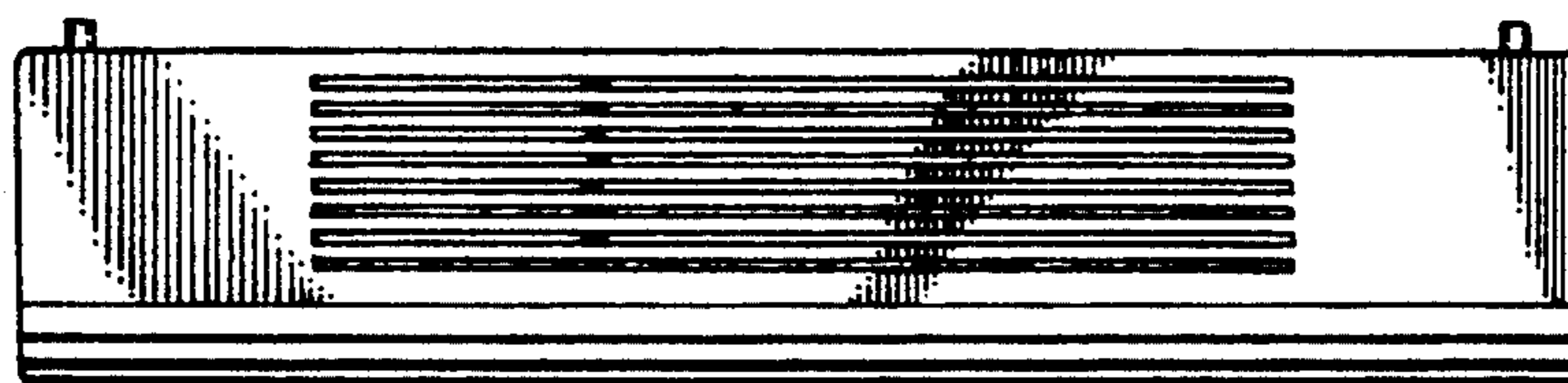


FIG. -5



FIG. -6



FIG. -7