



US00D329631S

# United States Patent [19]

[11] Patent Number: **Des. 329,631**

**Cameron**

[45] Date of Patent: **\*\* Sep. 22, 1992**

[54] **TRAILER HITCH MIRROR**

4,771,300 9/1988 Bryan ..... 354/81

[76] Inventor: **Kevan C. Cameron**, 1078 Sleepy Hollow Dr., Bailey, Colo. 80421

*Primary Examiner*—James M. Gandy  
*Attorney, Agent, or Firm*—Terry M. Gernstein

[\*\*] Term: **14 Years**

[57] **CLAIM**

[21] Appl. No.: **489,657**

The ornamental design for a trailer hitch mirror, as shown.

[22] Filed: **Mar. 7, 1990**

[52] U.S. Cl. .... **D12/187**

[58] Field of Search ..... **D12/187, 162; D6/300, D6/310; D28/64.4; 359/838, 843, 844, 871, 872, 874, 876; 248/475, 476, 479, 495**

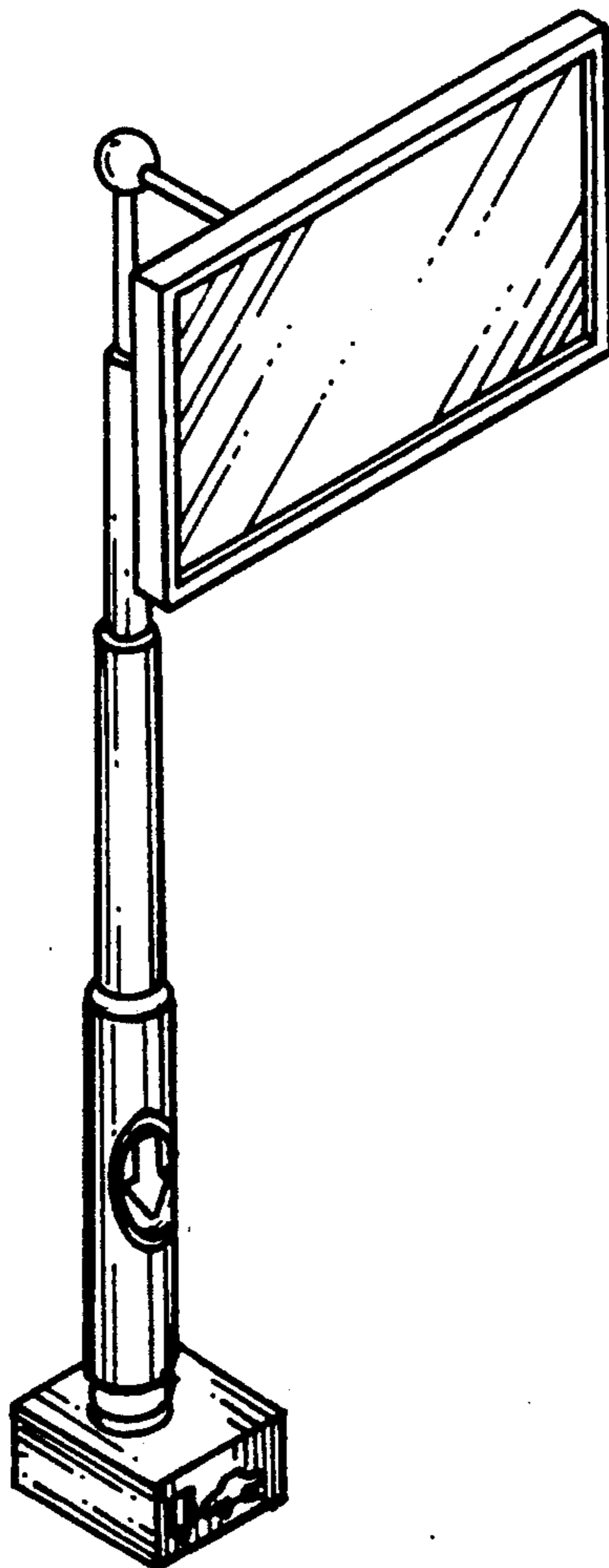
**DESCRIPTION**

[56] **References Cited**

**U.S. PATENT DOCUMENTS**

3,524,701	8/1970	Strohmeier	350/307
4,163,606	8/1979	Granno	350/307
4,227,671	10/1980	Bourassa	248/480
4,339,104	7/1982	Weidman	D6/310

FIG. 1 is a perspective view of a trailer hitch mirror showing my new design;  
FIG. 2 is a front elevational view thereof;  
FIG. 3 is a rear elevational view thereof;  
FIG. 4 is a side elevational view thereof on a reduced scale;  
FIG. 5 is an opposite side elevational view thereof on a reduced scale;  
FIG. 6 is a top plan view thereof; and,  
FIG. 7 is a bottom view thereof.



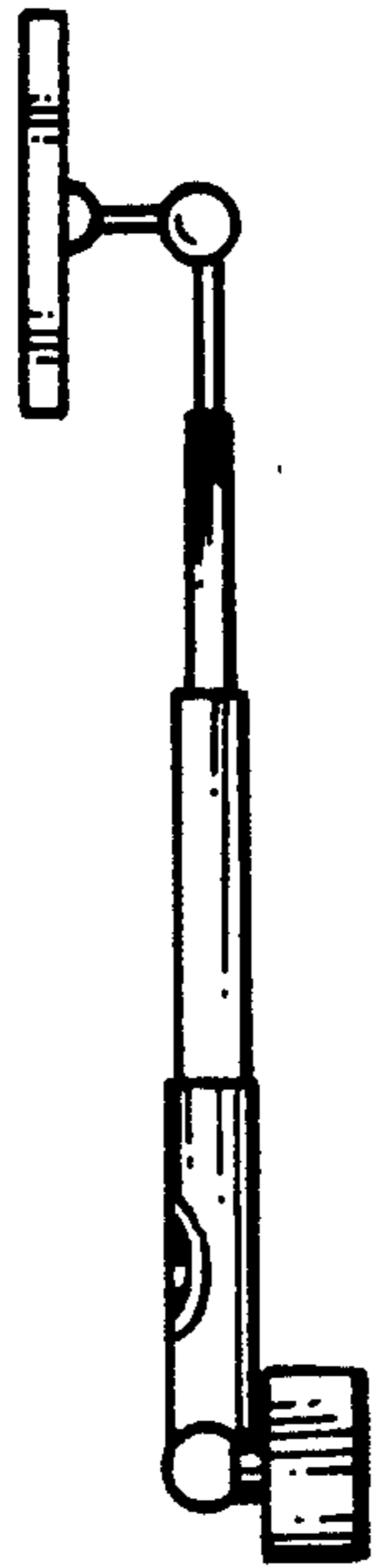


FIG. 4

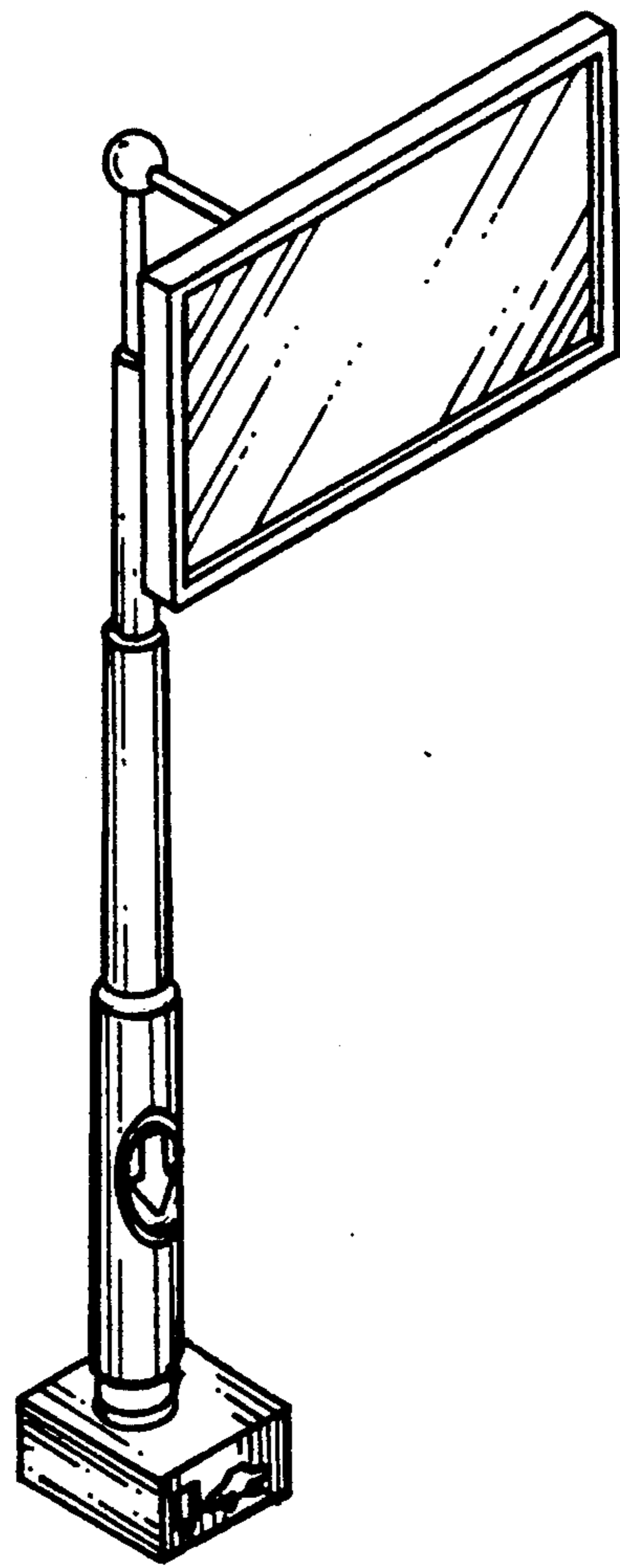


FIG. 1

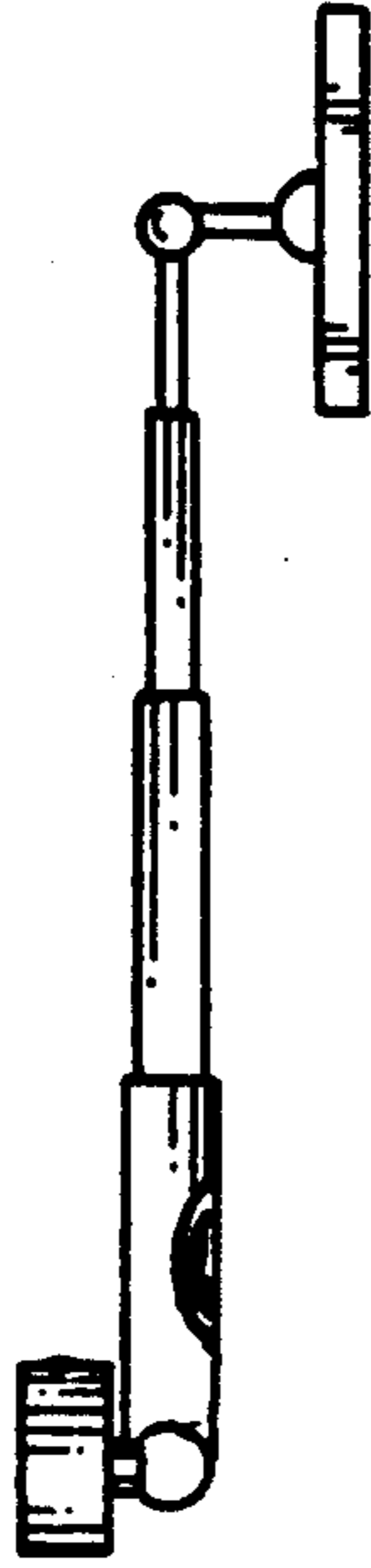


FIG. 5

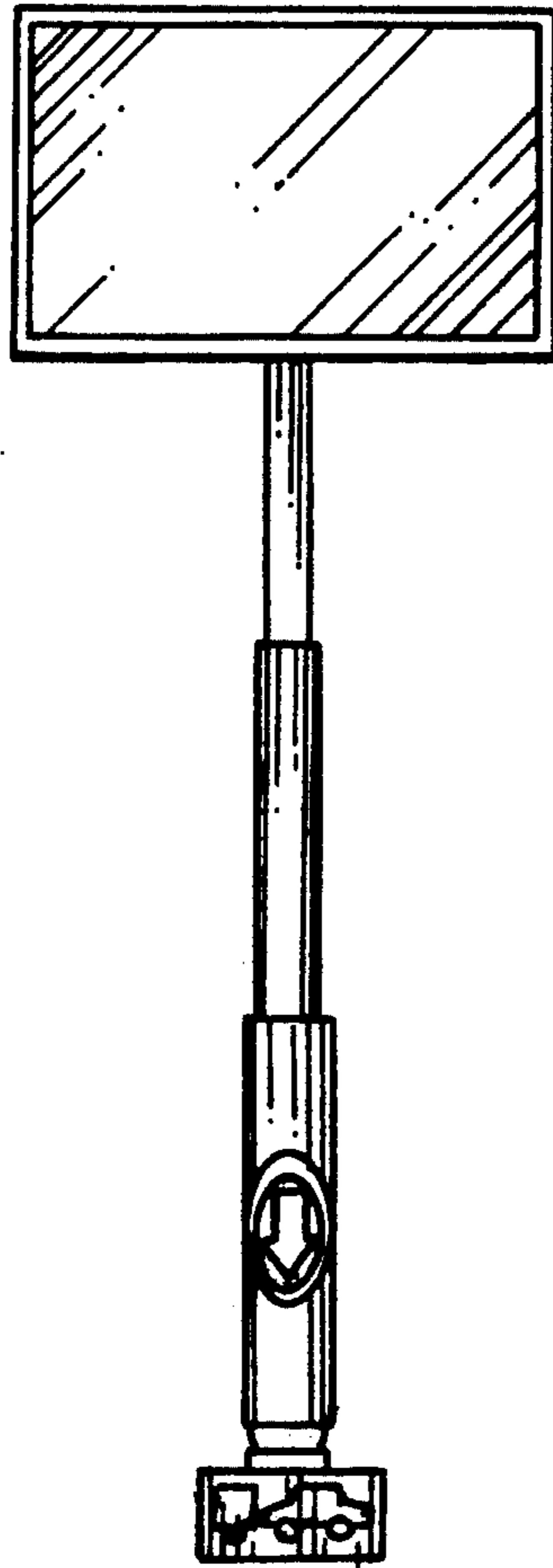
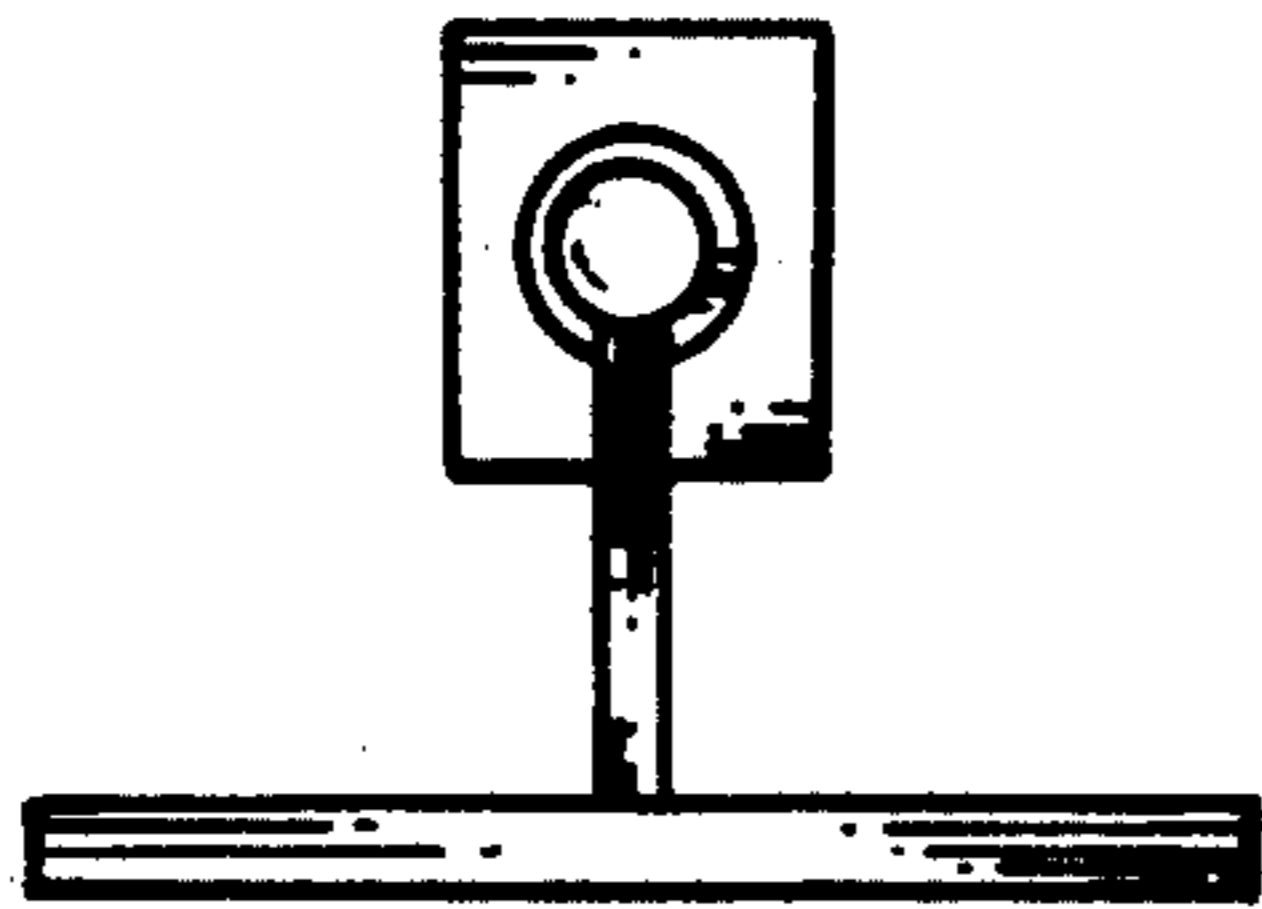
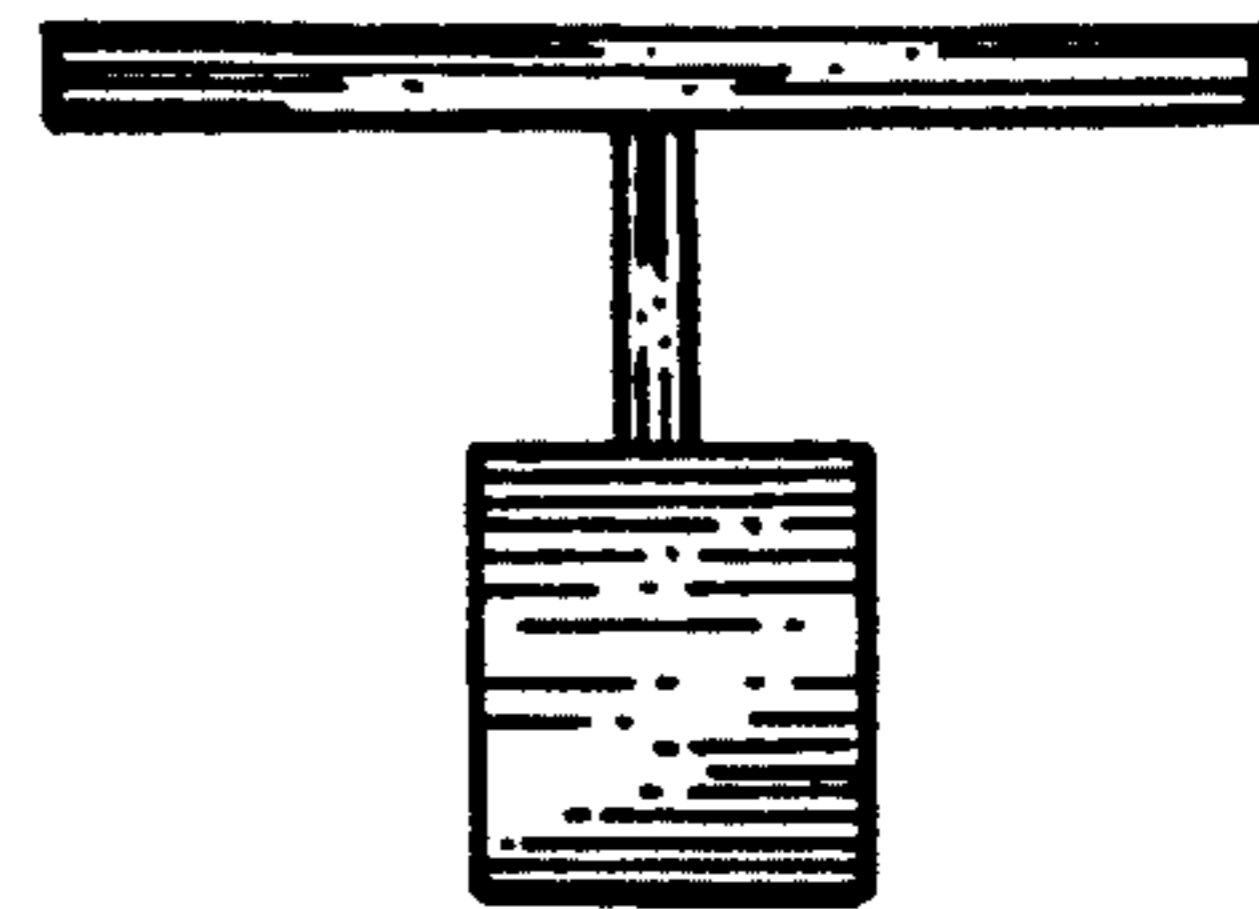


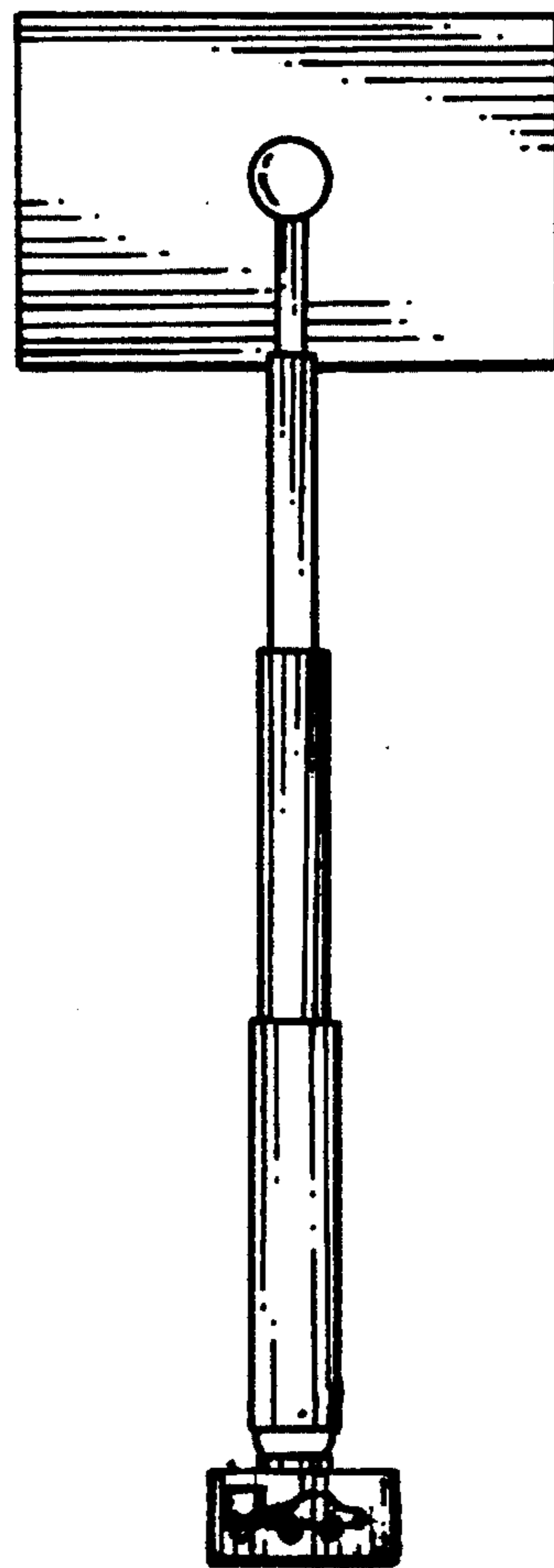
FIG. 2



*FIG. 6*



*FIG. 7*



*FIG. 3*