



US00D329624S

United States Patent [19]

Dodgen

[11] Patent Number: **Des. 329,624**

[45] Date of Patent: **** Sep. 22, 1992**

[54] **TRAILER MOUNTED BARBECUE UNIT**

[75] Inventor: **John N. Dodgen, Ft. Dodge, Iowa**

[73] Assignee: **Dodgen Industries, Inc., Humboldt, Iowa**

[**] Term: **14 Years**

[21] Appl. No.: **462,424**

[22] Filed: **Jan. 9, 1990**

[52] U.S. Cl. **D12/102; D7/334**

[58] Field of Search **D7/332, 334, 338; 126/25 R, 25 A, 25 AAA, 39 B, 276, 268**

D. 255,863 7/1980 Futch D7/334
D. 265,374 7/1982 Hamilton, Jr. D7/334
D. 309,124 7/1990 Young D12/102

Primary Examiner—A. Hugo Word
Assistant Examiner—Ruth McInroy
Attorney, Agent, or Firm—Zarley, McKee, Thomte, Voorhees & Sease

[57] **CLAIM**

The ornamental design for a trailer mounted barbecue unit, as shown and described.

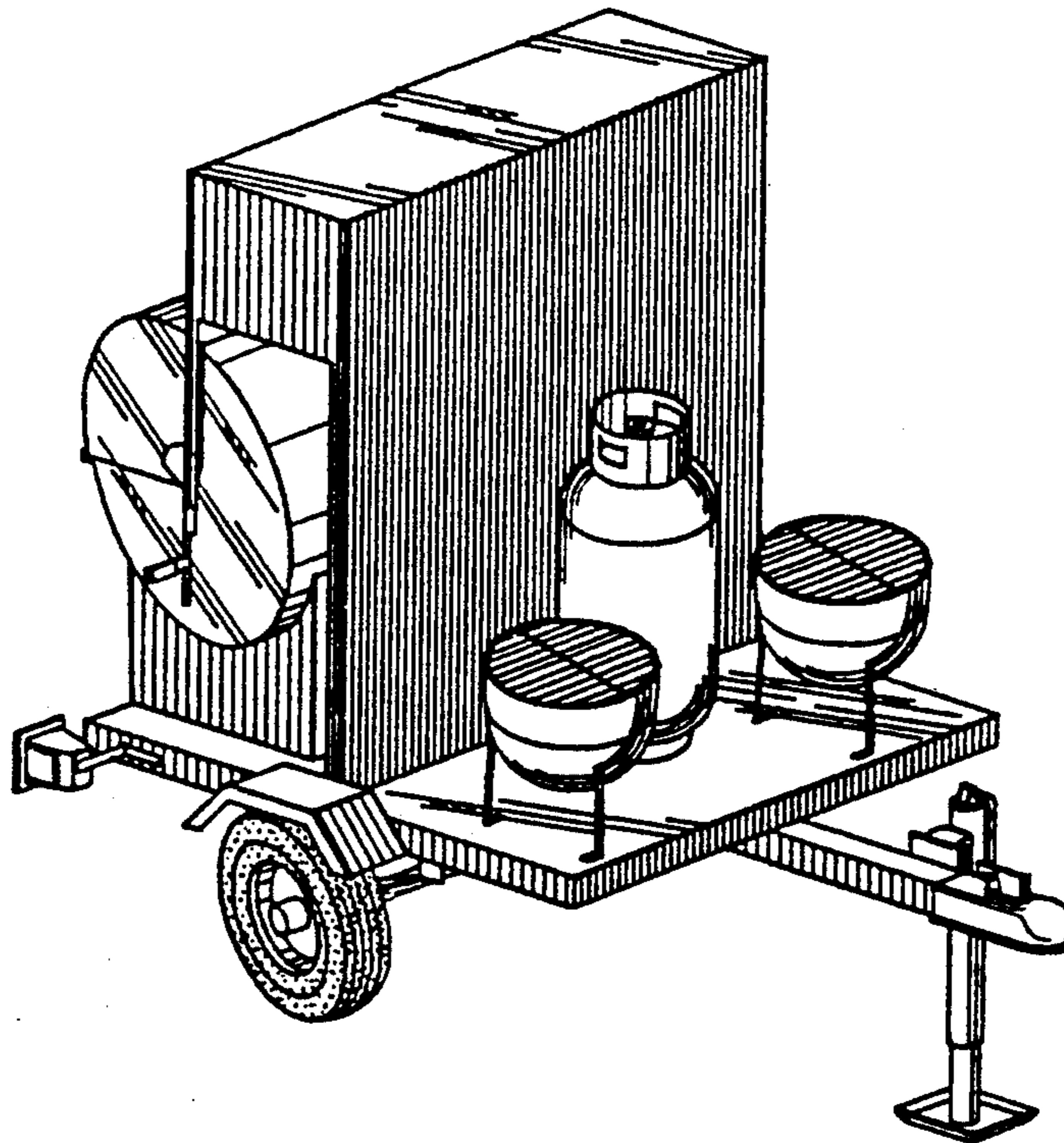
DESCRIPTION

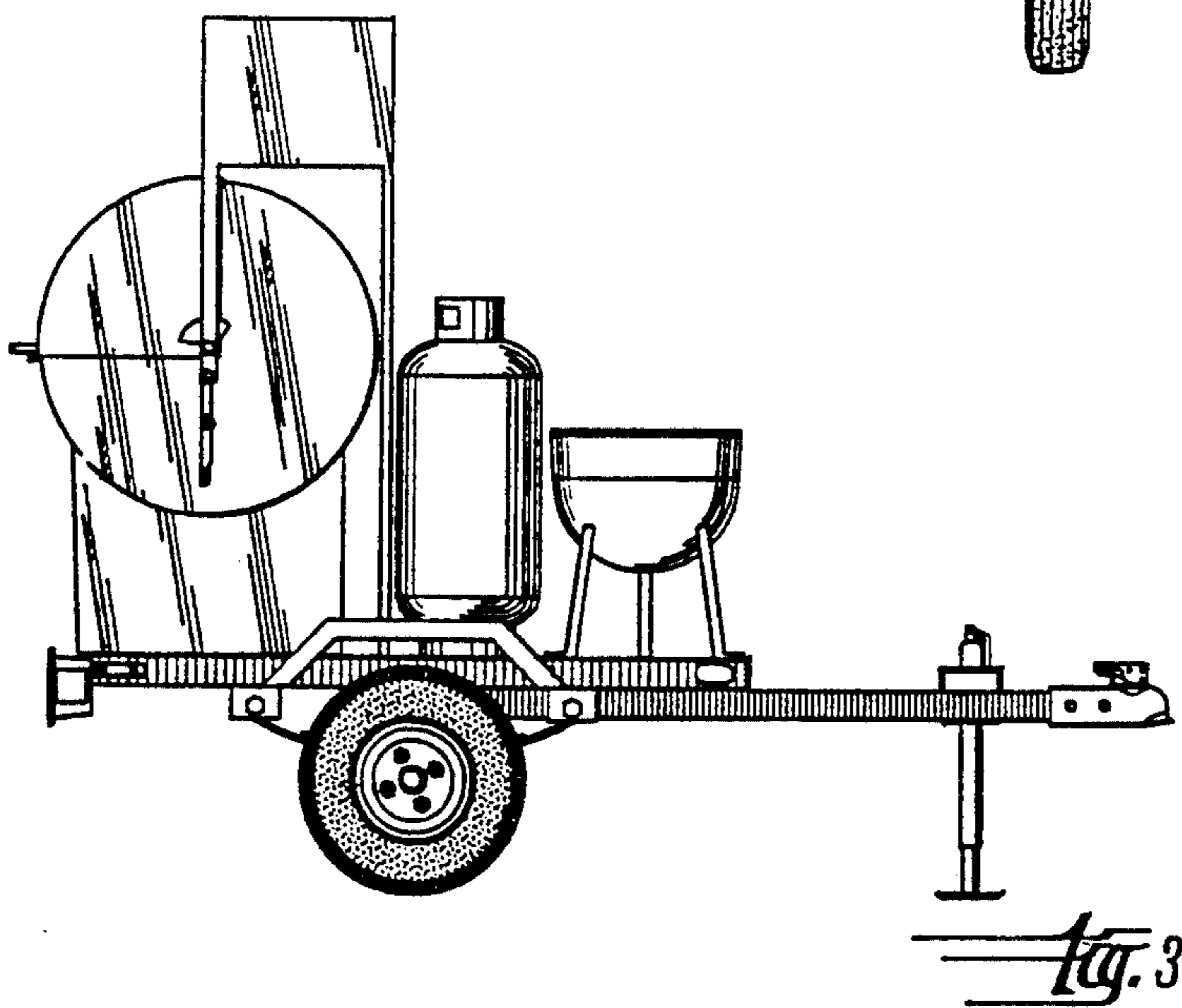
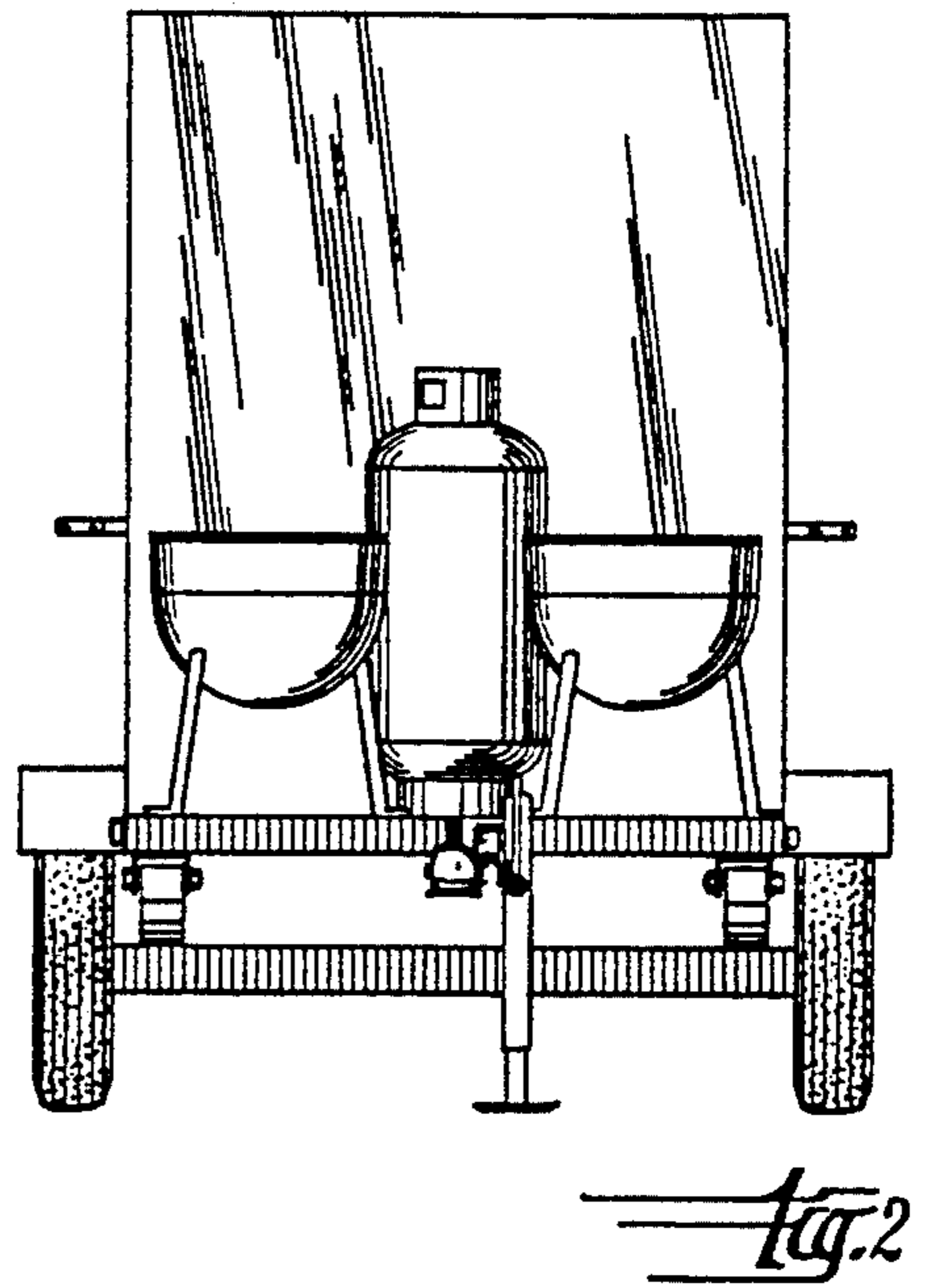
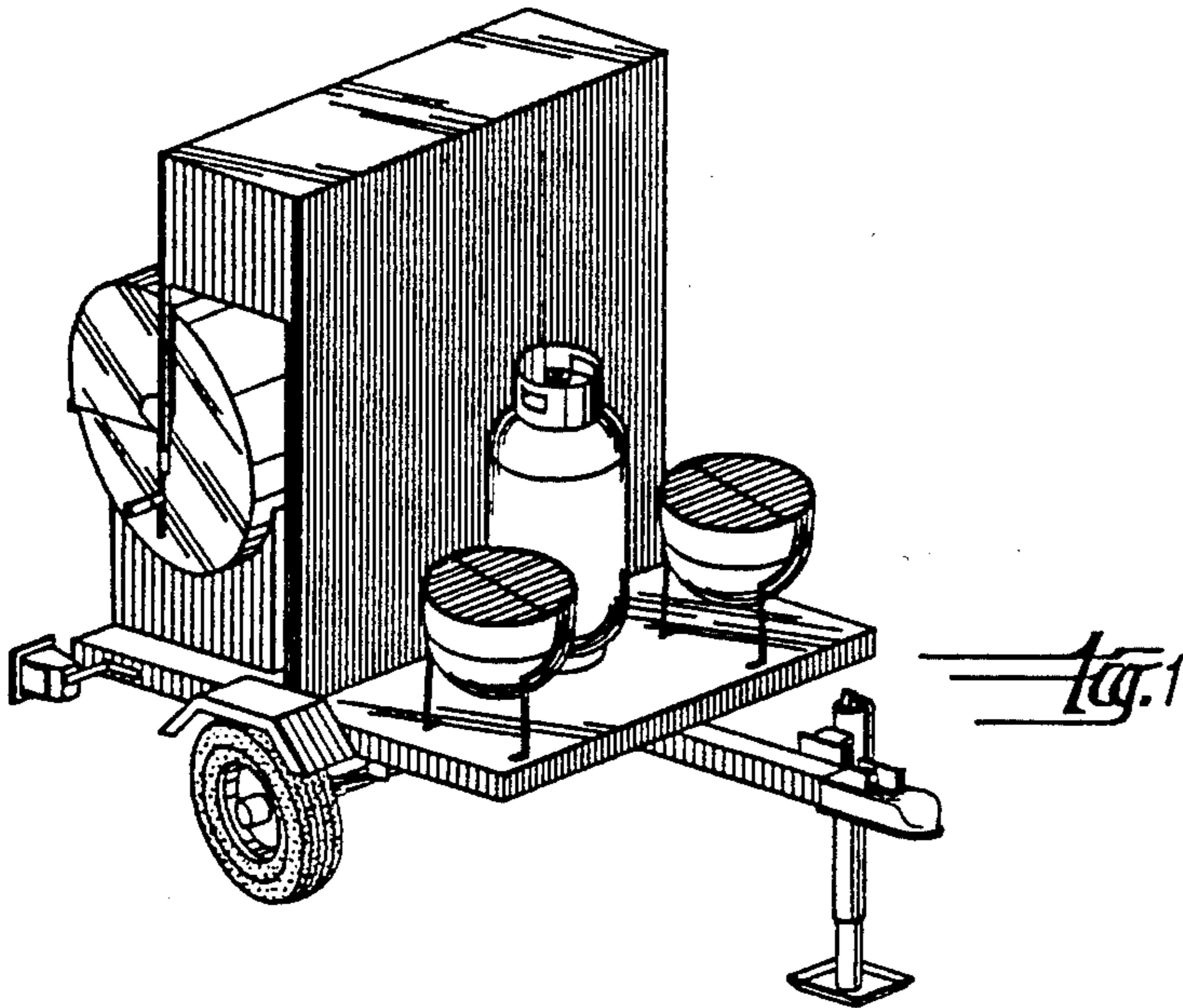
FIG. 1 is a perspective view of a trailer mounted barbecue device showing my new design; FIG. 2 is a front elevational view thereof; FIG. 3 is a side elevational view thereof, the opposite side being a mirror image; FIG. 4 is a rear elevational view thereof; and, FIG. 5 is a top plan view thereof.

[56] **References Cited**

U.S. PATENT DOCUMENTS

D. 240,494 7/1976 Beasley D12/102
D. 250,317 11/1978 Simmons D12/102
D. 251,230 3/1979 Adams D7/334





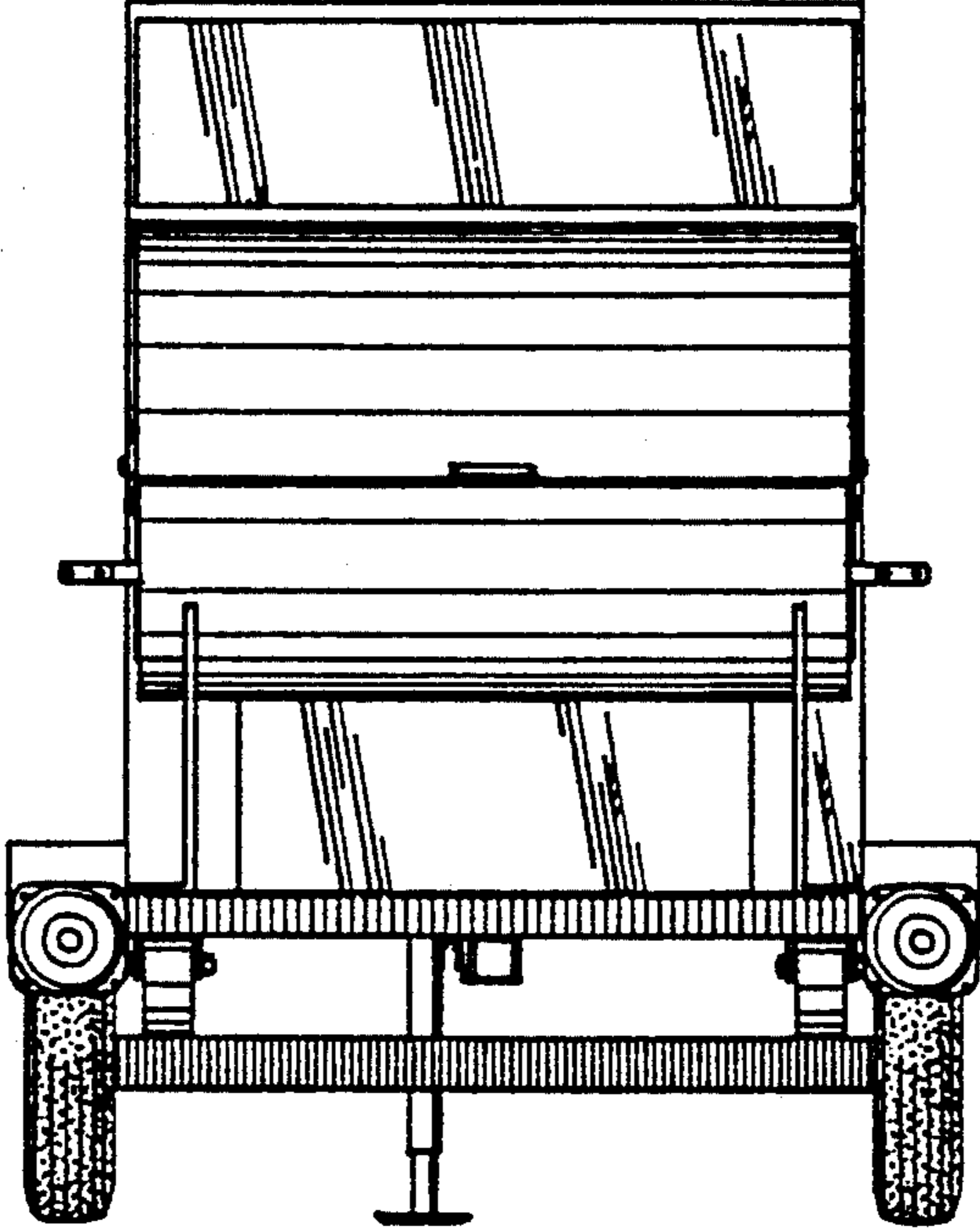


Fig. 4

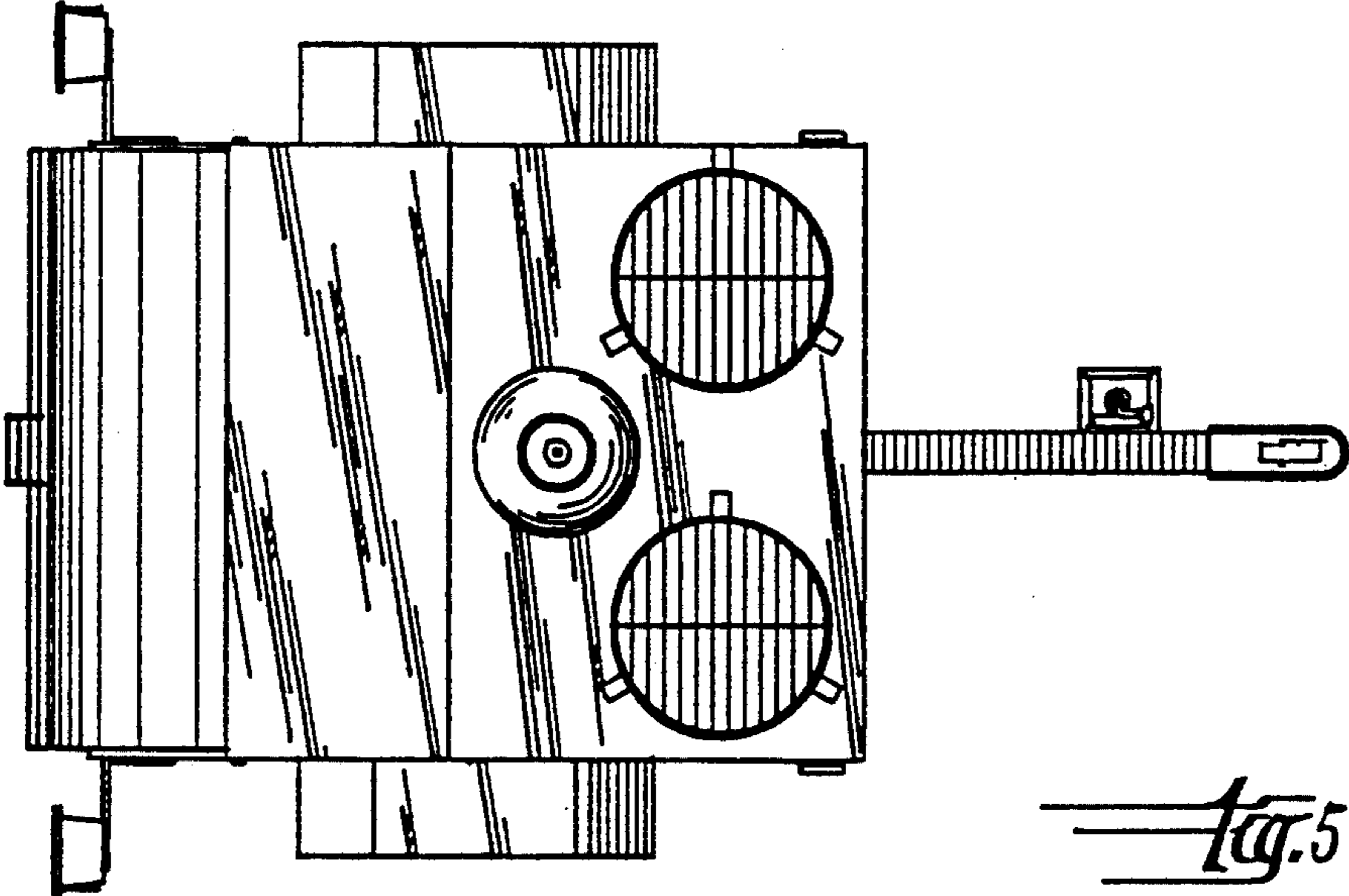


Fig. 5