



US00D329623S

United States Patent [19]

[11] Patent Number: **Des. 329,623**

Dodgen

[45] Date of Patent: **** Sep. 22, 1992**

[54] **TRAILER MOUNTED BARBECUE AND BEVERAGE DISPENSER UNIT**

D. 255,863 7/1980 Futch D7/334
D. 265,374 7/1982 Hamilton, Jr. D7/334
D. 309,124 7/1990 Young D12/102

[75] Inventor: **John N. Dodgen, Ft. Dodge, Iowa**

[73] Assignee: **Dodgen Industries, Inc., Humboldt, Iowa**

[**] Term: **14 Years**

Primary Examiner—A. Hugo Word
Assistant Examiner—Ruth McInroy
Attorney, Agent, or Firm—Zarley, McKee, Thomte, Voorhees, & Sease

[21] Appl. No.: **462,422**

[57] **CLAIM**

[22] Filed: **Jan. 9, 1990**

The ornamental design for a trailer mounted barbecue and beverage dispenser unit, as shown and described.

[52] U.S. Cl. **D12/102; D7/334**

[58] Field of Search **D7/332, 334, 338; 126/25 R, 25 A, 25 AAA, 39 B, 40, 276, 268; 296/22; D12/102, 105**

DESCRIPTION

[56] **References Cited**

U.S. PATENT DOCUMENTS

D. 240,494 7/1976 Beasley D12/102
D. 250,317 11/1978 Simmons D12/102
D. 251,230 3/1979 Adams D7/334

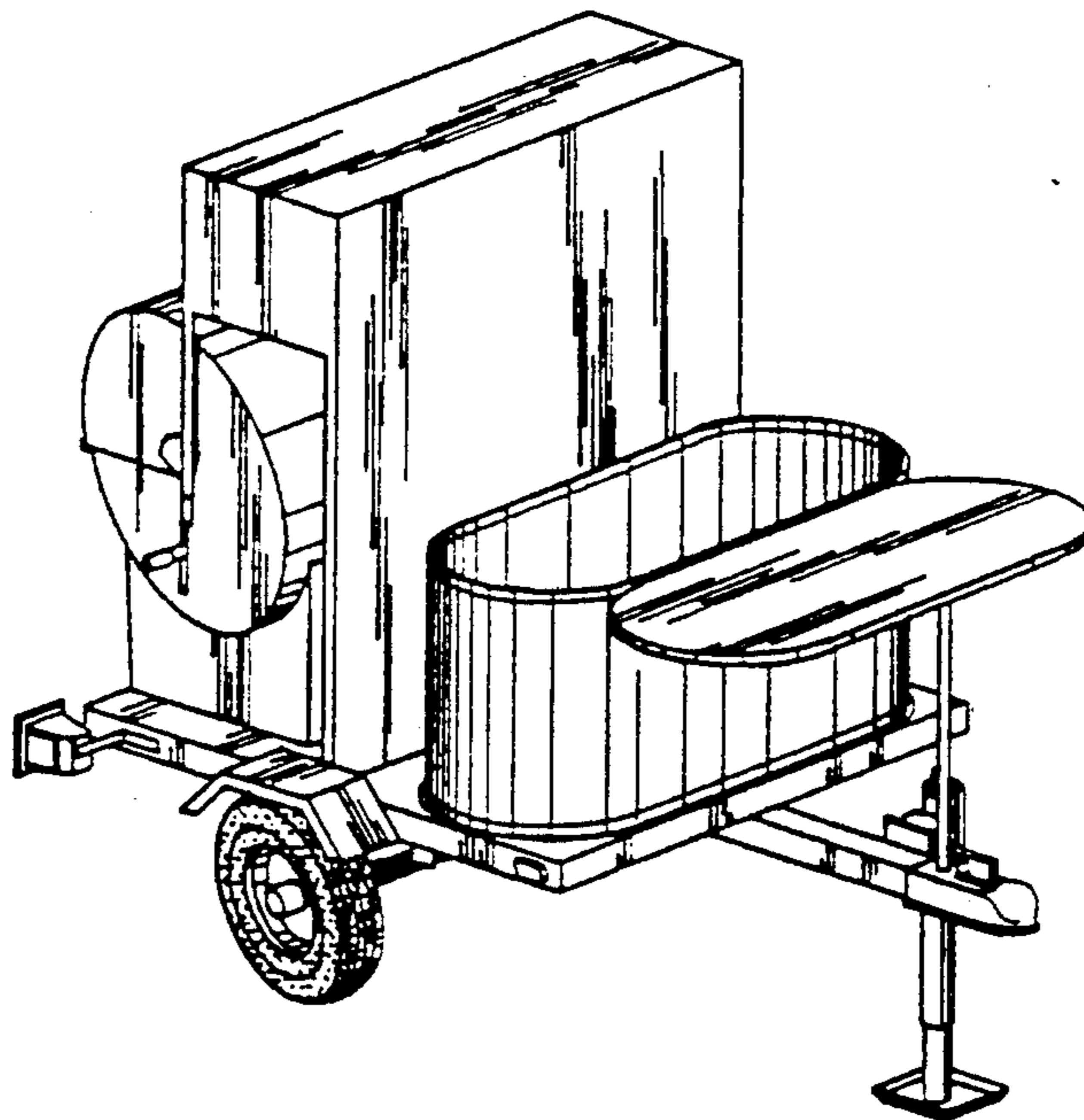
FIG. 1 is a perspective view of a trailer mounted barbecue and beverage dispenser device showing my new design;

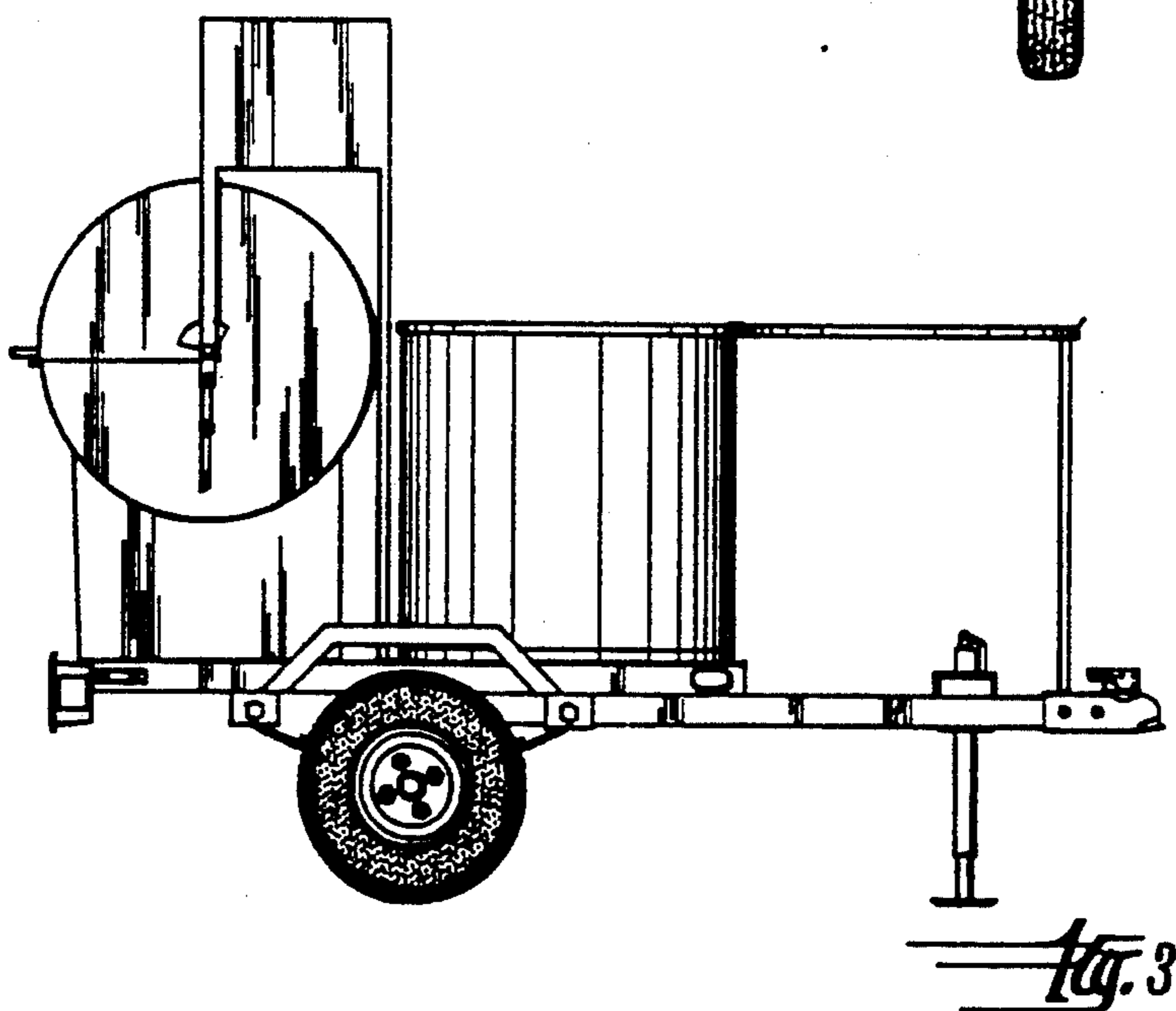
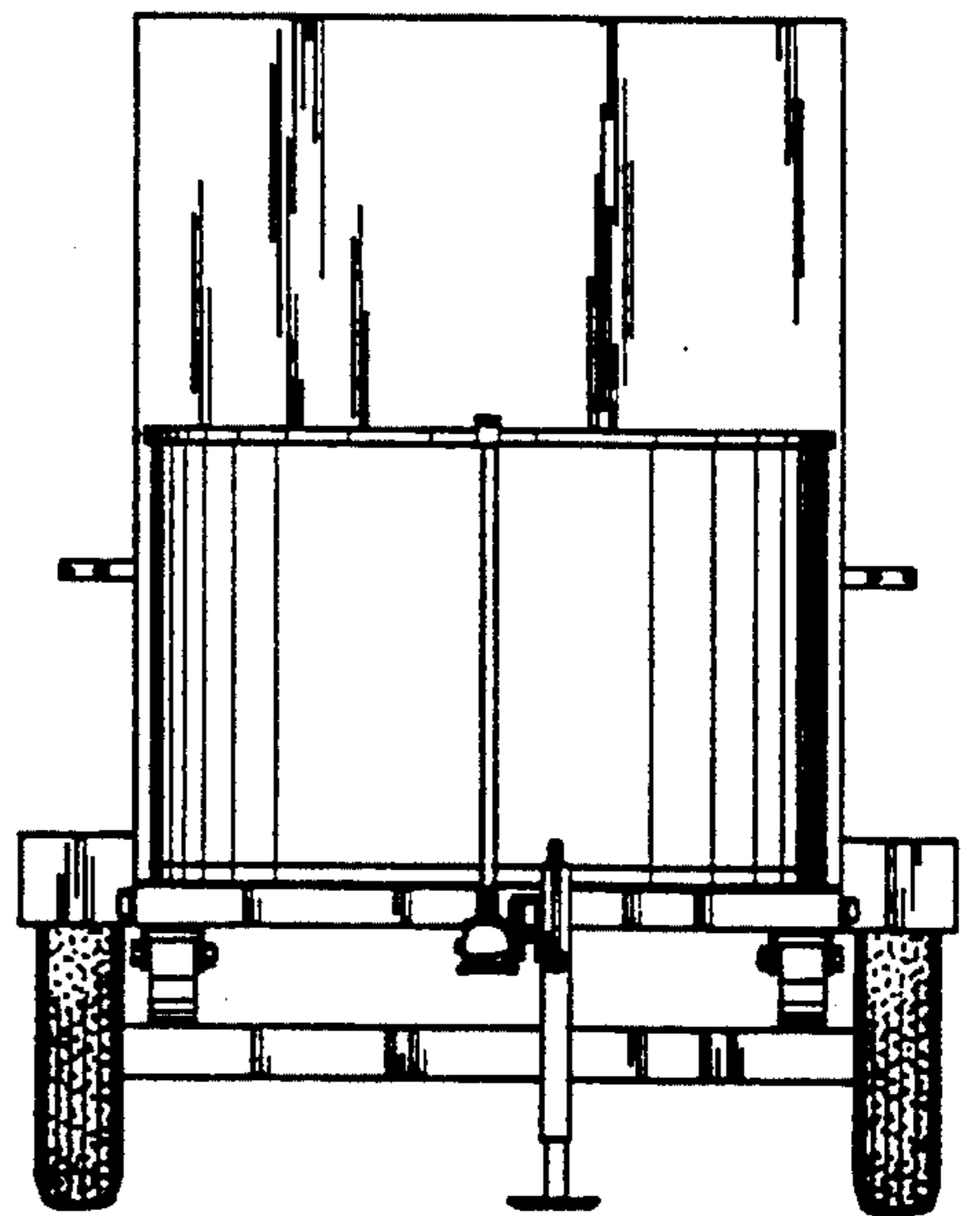
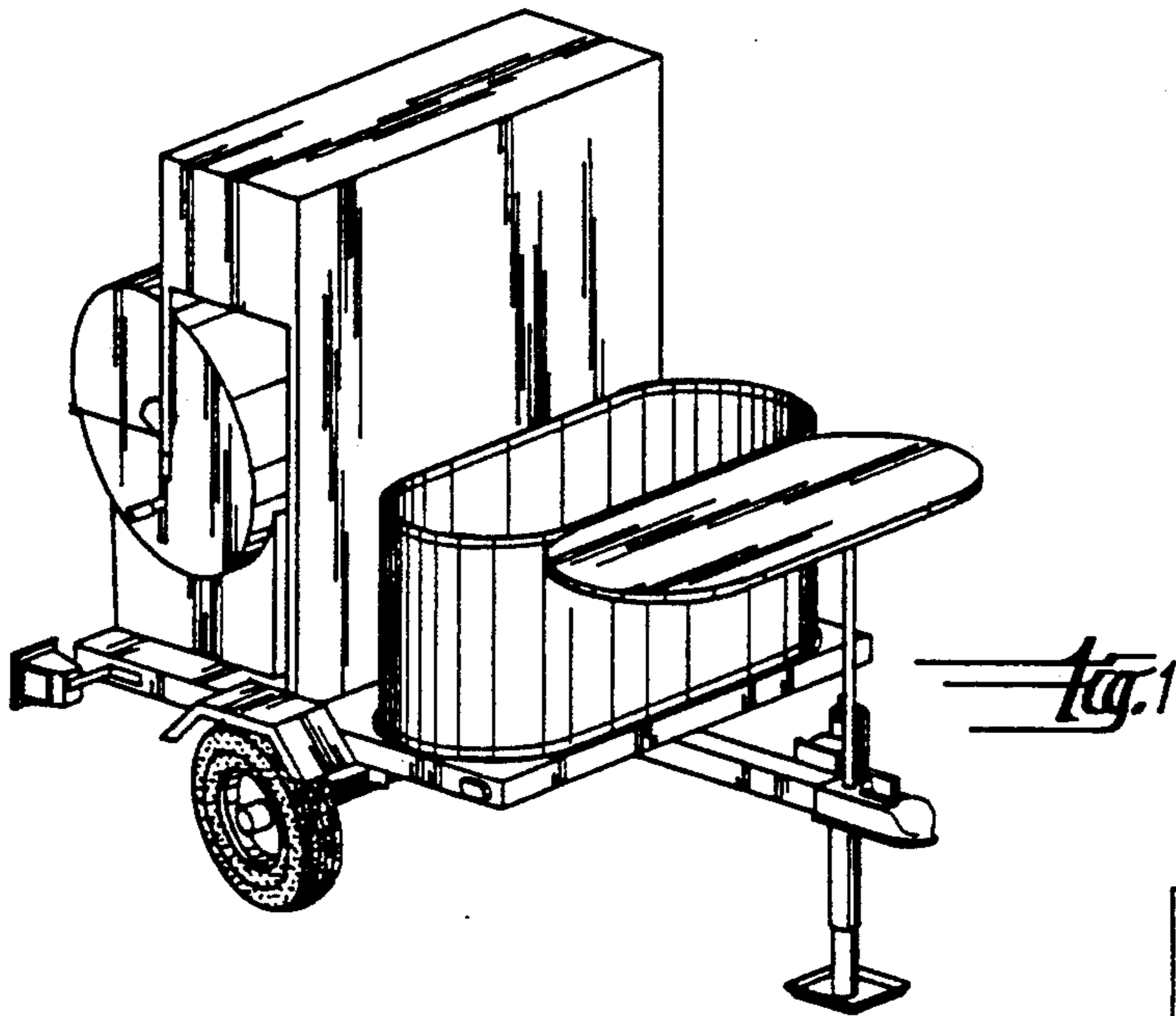
FIG. 2 is a front elevational view thereof;

FIG. 3 is a side elevational view thereof, the opposite side being a mirror image;

FIG. 4 is a rear elevational view thereof; and,

FIG. 5 is a top plan view thereof.





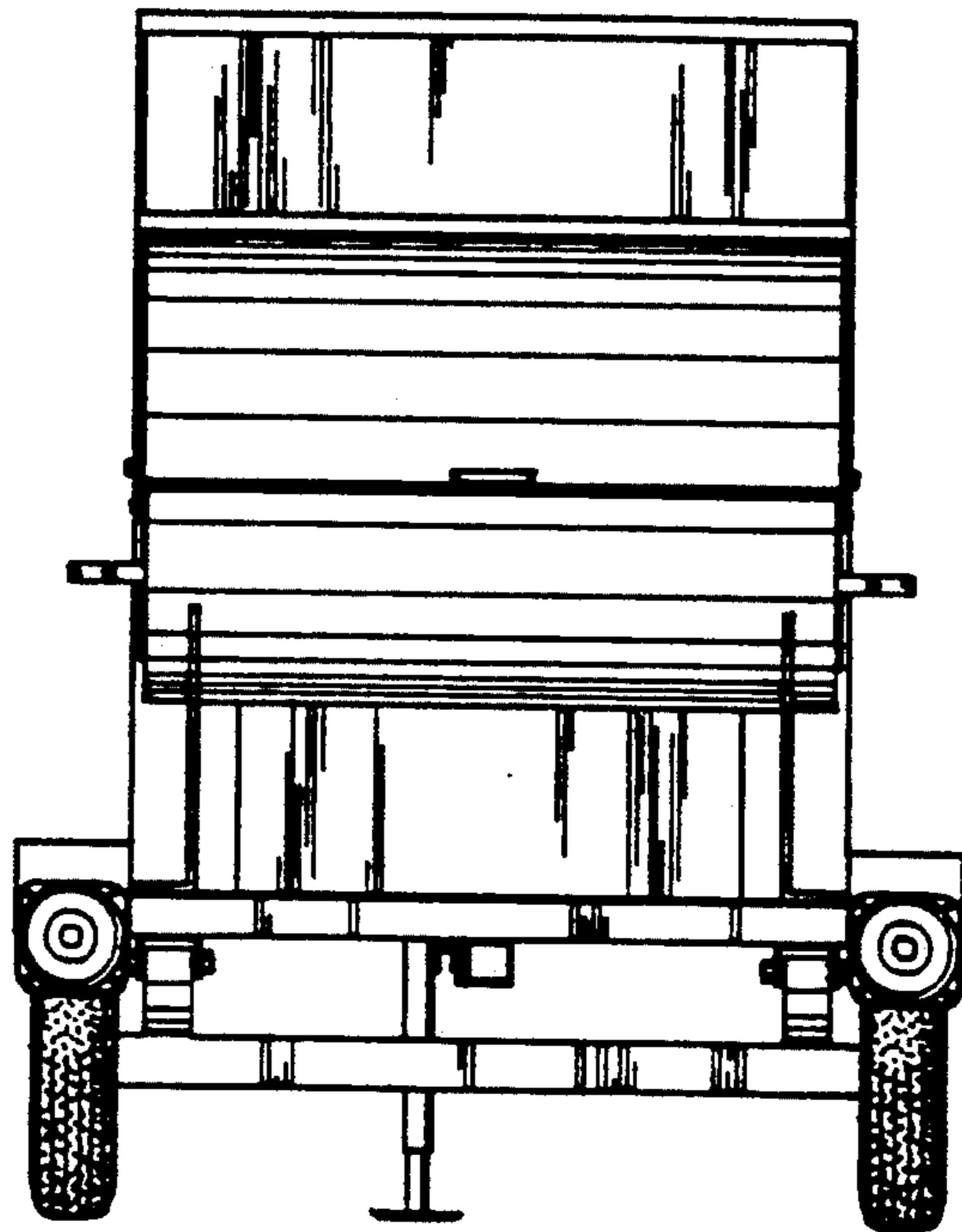


Fig. 4

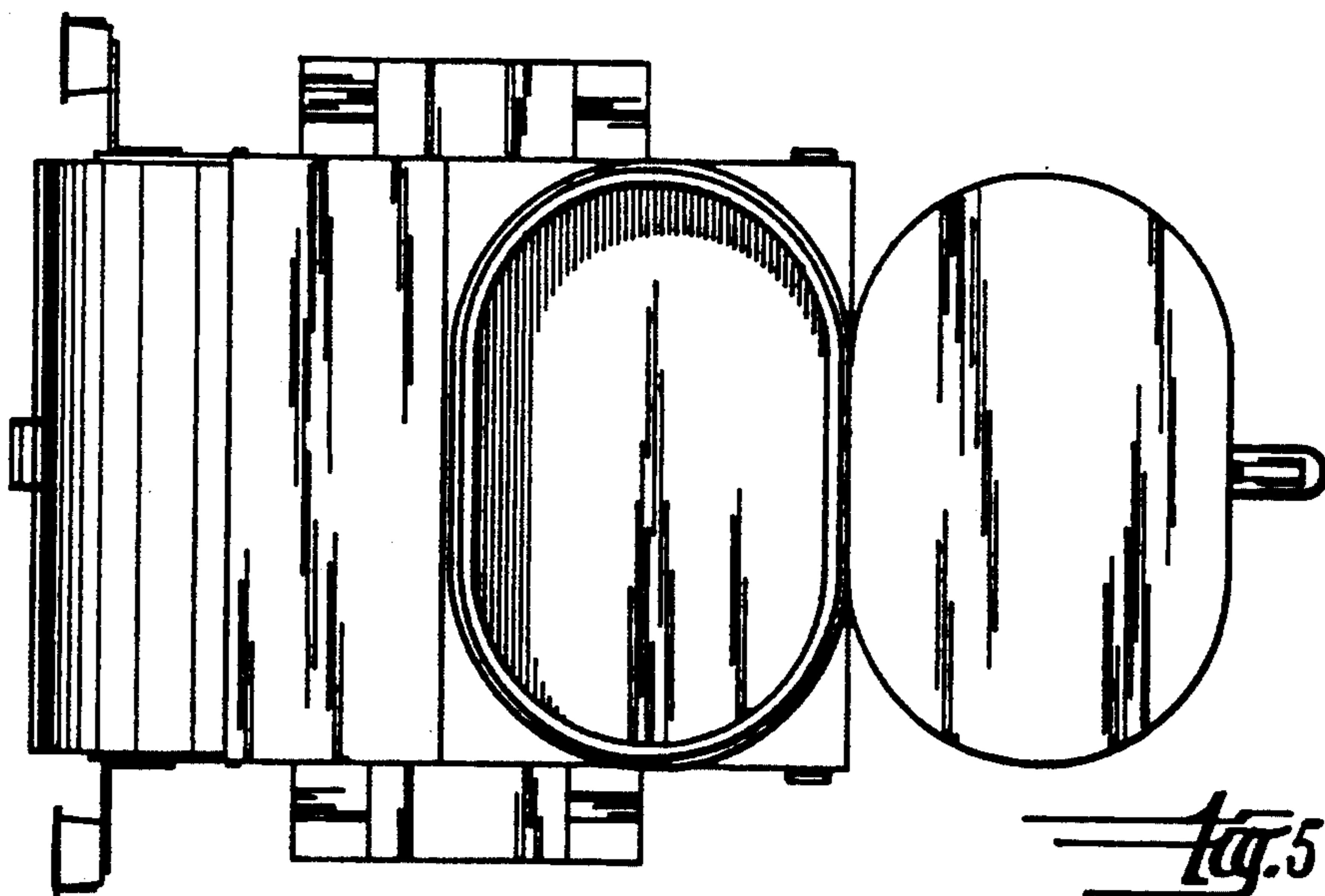


Fig. 5