



US00D329622S

United States Patent [19]
Smith

[11] **Patent Number: Des. 329,622**

[45] **Date of Patent: ** Sep. 22, 1992**

[54] **CHRISTMAS TREE HOLDER**

[75] **Inventor: David W. Smith, Calgary, Canada**

[73] **Assignee: Ladds Products, LTD, Calgary, Canada**

[**] **Term: 14 Years**

[21] **Appl. No.: 473,688**

[22] **Filed: Feb. 2, 1990**

[30] **Foreign Application Priority Data**

Oct. 31, 1989 [CA] Canada 3110891

[52] **U.S. Cl. D11/130.1**

[58] **Field of Search D11/130.1; 47/40.5, 47/42; 248/519**

[56] **References Cited**

U.S. PATENT DOCUMENTS

D. 125,771	3/1941	Kiesoiv	D11/130.1
D. 168,379	12/1952	Scanland	D11/130.1
D. 178,974	10/1956	Schulz	D11/130.1
D. 221,969	9/1971	DeVries	D11/130.1
2,652,217	9/1953	Schulz	47/40.5
3,371,896	3/1968	Cox	47/40.5
3,411,740	11/1968	Schulz	47/40.5

Primary Examiner—Bernard Ansher
Assistant Examiner—Dominic Simone
Attorney, Agent, or Firm—Terry M. Gernstein

[57] **CLAIM**

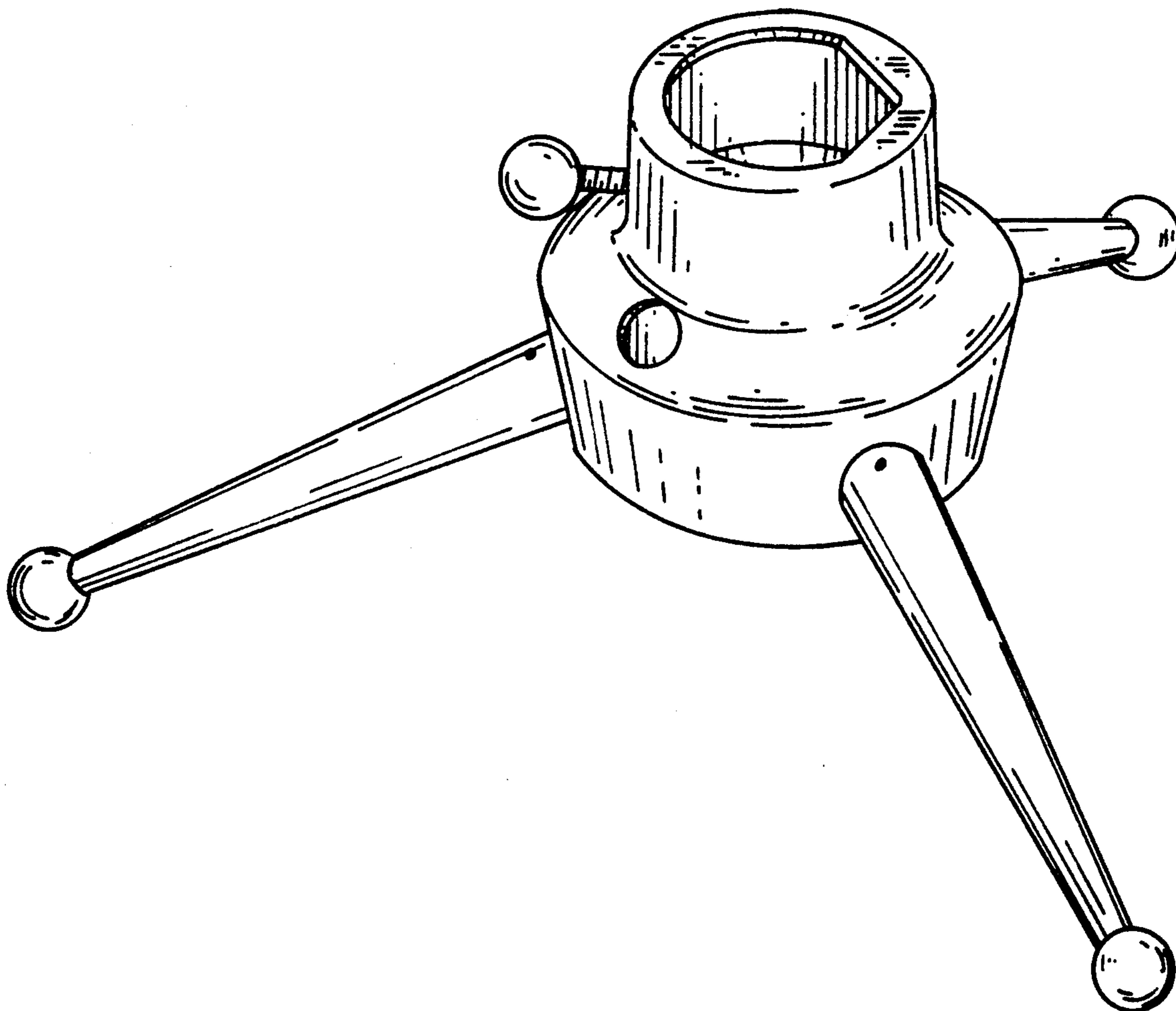
The ornamental design for a christmas tree holder, as shown and described.

DESCRIPTION

FIG. 1 is a perspective view of a christmas tree holder showing my new design;

FIG. 2 is a top plan view thereof; and,

FIG. 3 is a bottom plan view thereof.



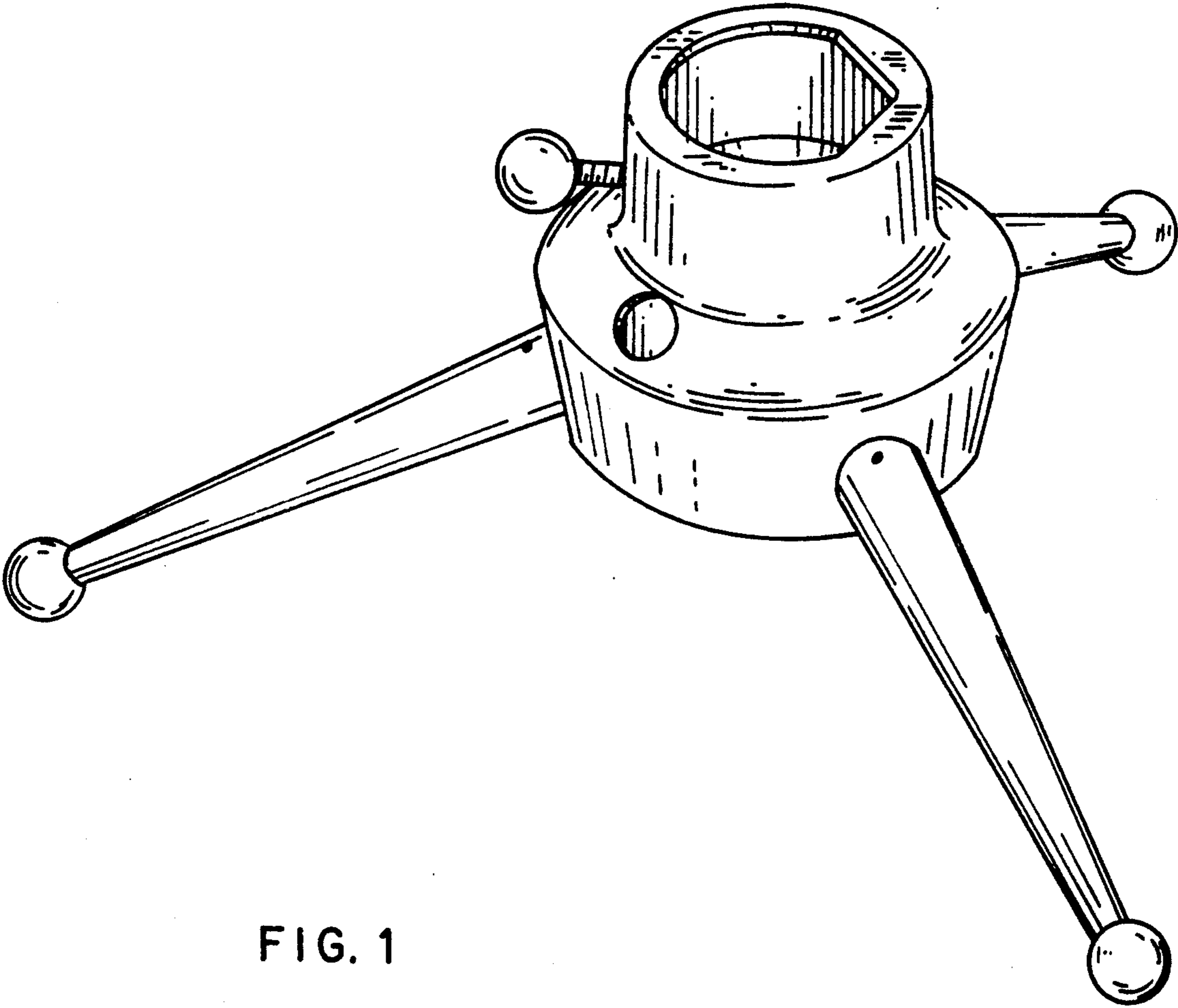


FIG. 1

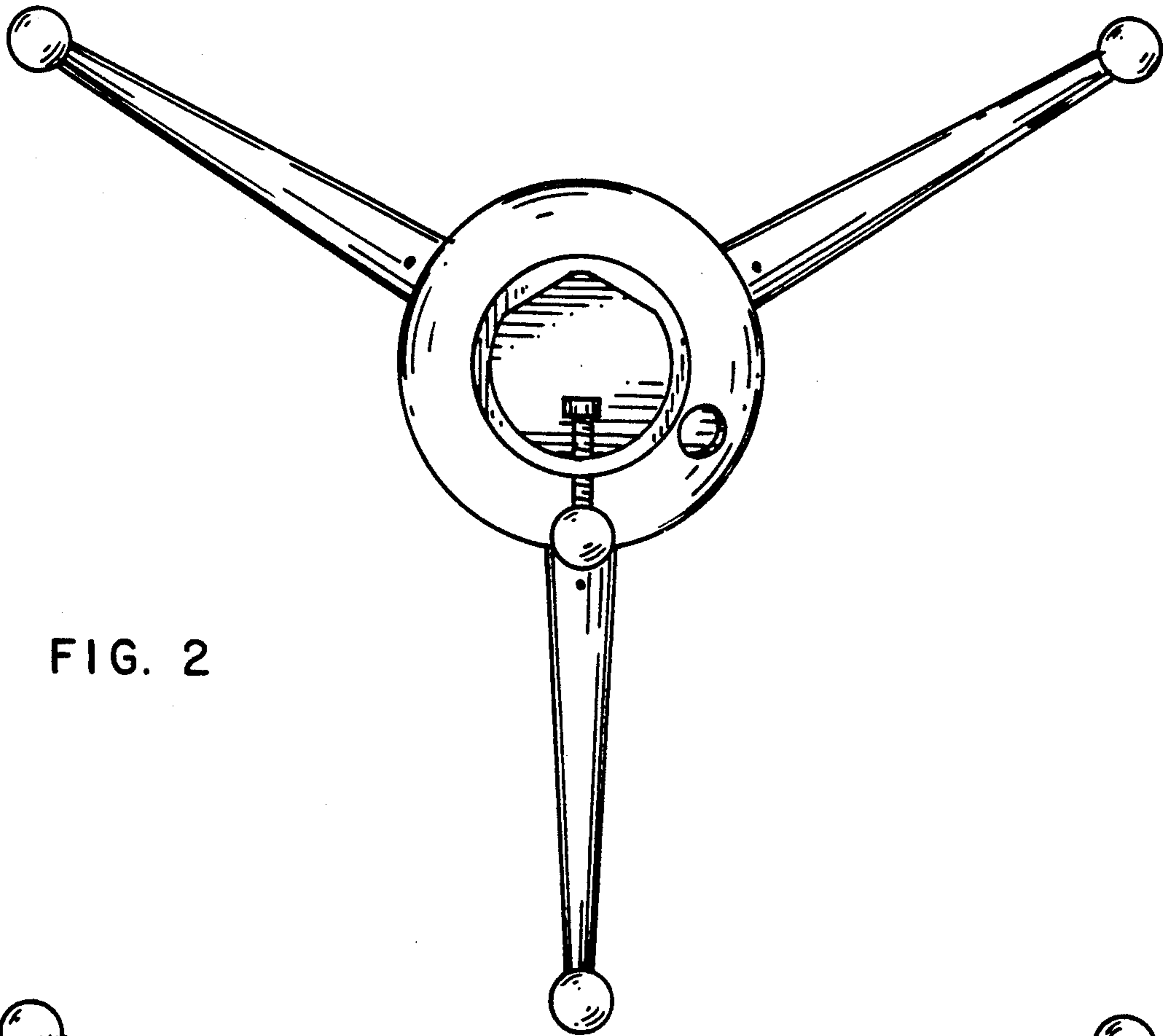


FIG. 2

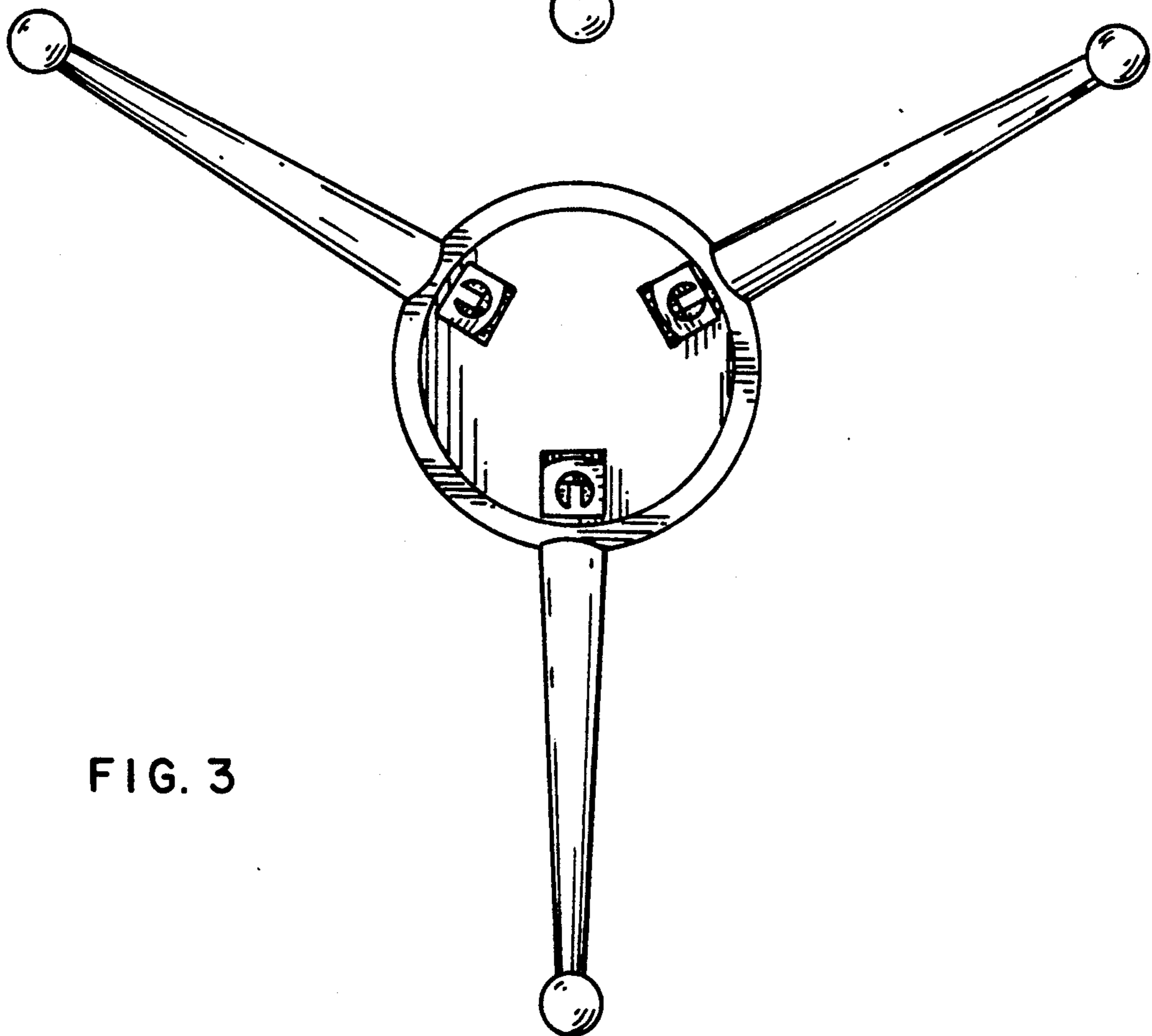


FIG. 3