



US00D329619S

United States Patent [19]

[11] Patent Number: **Des. 329,619**

Cartwright

[45] Date of Patent: **** Sep. 22, 1992**

[54] **TERMINAL HOUSING FOR INDUSTRIAL THERMOMETER**

[75] Inventor: **Richard G. Cartwright,**
Hertfordshire, Great Britain

[73] Assignee: **Rosemount Limited, West Sussex,**
United Kingdom

[**] Term: **14 Years**

[21] Appl. No.: **624,745**

[22] Filed: **Dec. 6, 1990**

[30] **Foreign Application Priority Data**

Jun. 8, 1990 [GB] United Kingdom 2007428

[52] U.S. Cl. **D10/52; D10/49**

[58] Field of Search **D10/49, 50, 51, 52;**
324/685; 340/310 R, 825.07, 825.04, 870.16,
870.01; 364/550, 557; 374/1, 2, 3, 208, 209

[56] **References Cited**

U.S. PATENT DOCUMENTS

D. 317,269 6/1991 Selg D10/52

OTHER PUBLICATIONS

Product Data Sheet 32-244P entitled *Model 244P Head & Field Mounted Programmable temperature transmitter.*

Primary Examiner—Donald P. Walsh
Assistant Examiner—Antoine D. Davis
Attorney, Agent, or Firm—Kinney & Lange

[57] **CLAIM**

The ornamental design for a terminal housing for industrial thermometer, as shown and described.

DESCRIPTION

FIG. 1 is a top plan view of a terminal housing for industrial thermometer showing my new design; FIG. 2 is a right side elevational view, the left side elevational view being a mirror image; FIG. 3 is a bottom plan view; and, FIG. 4 is a front elevational view thereof.

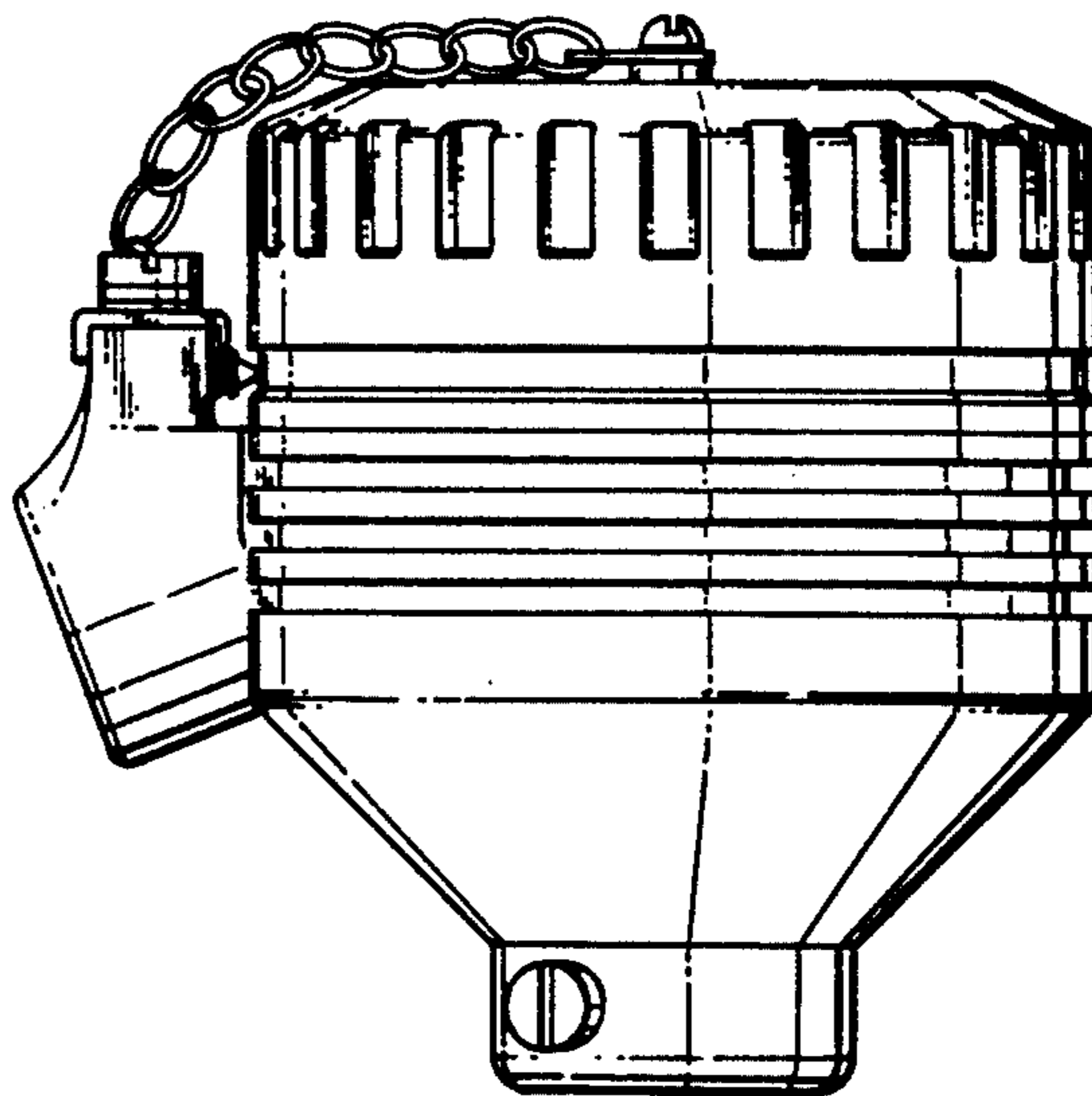
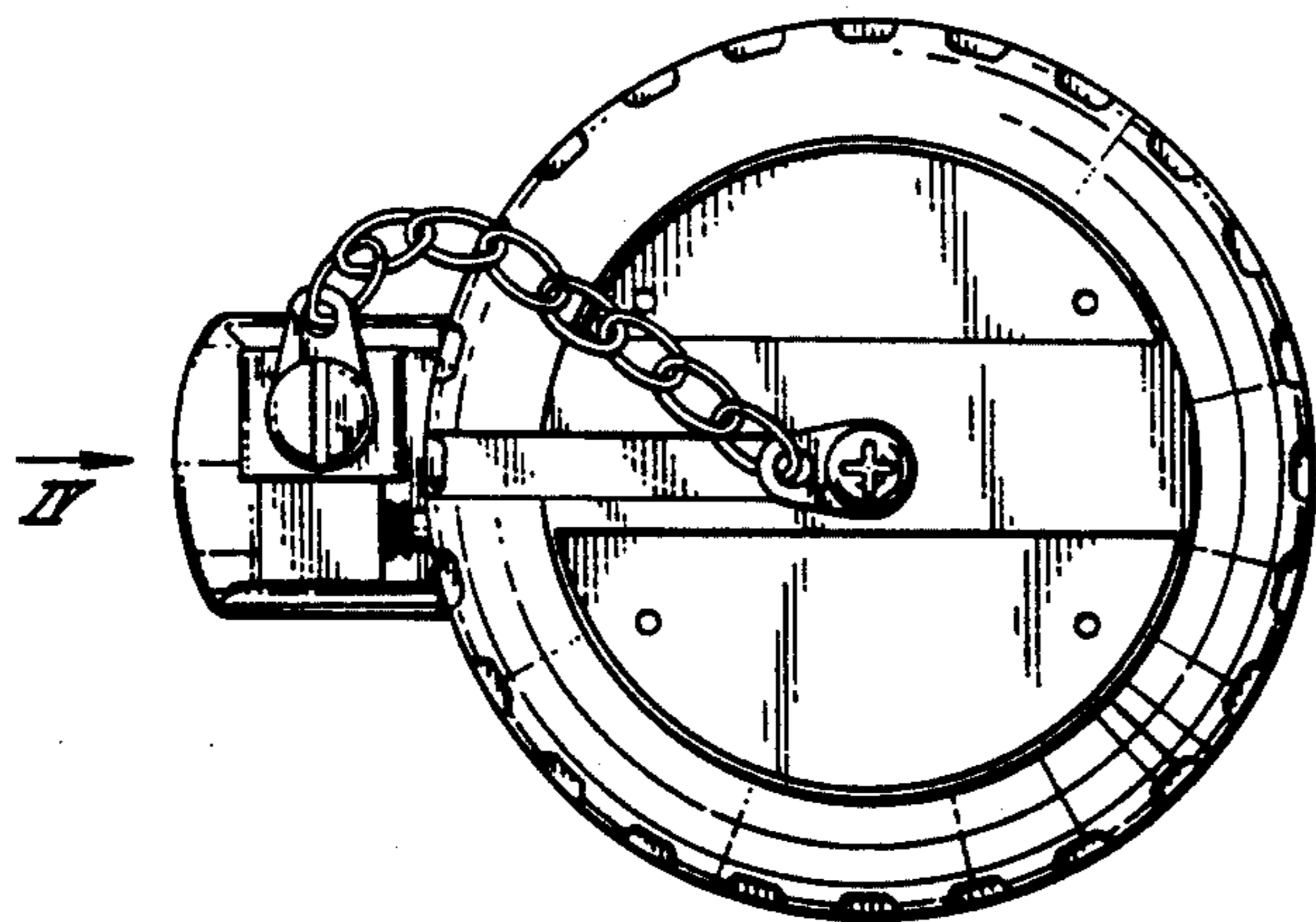


FIG. 1.

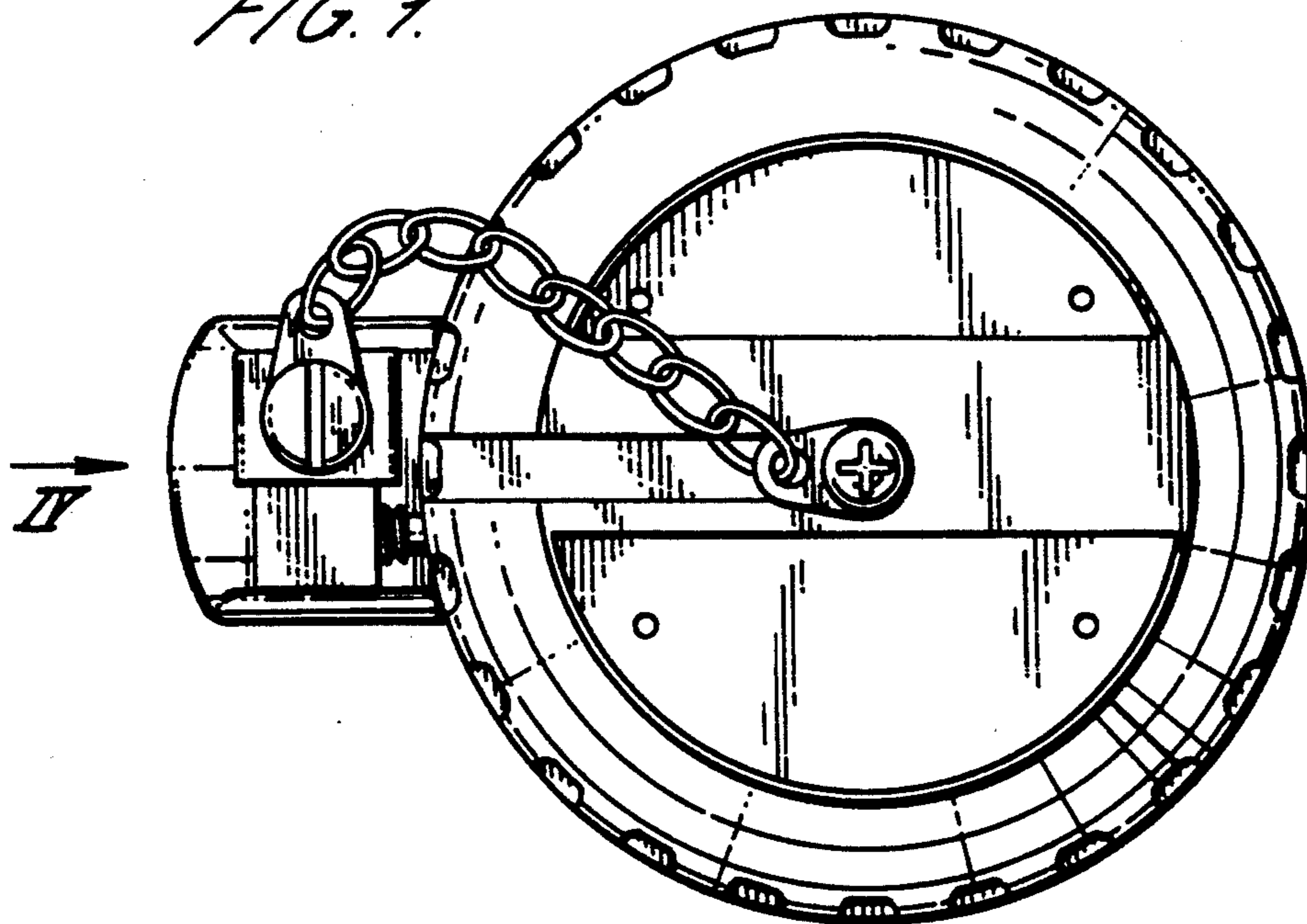


FIG. 2.

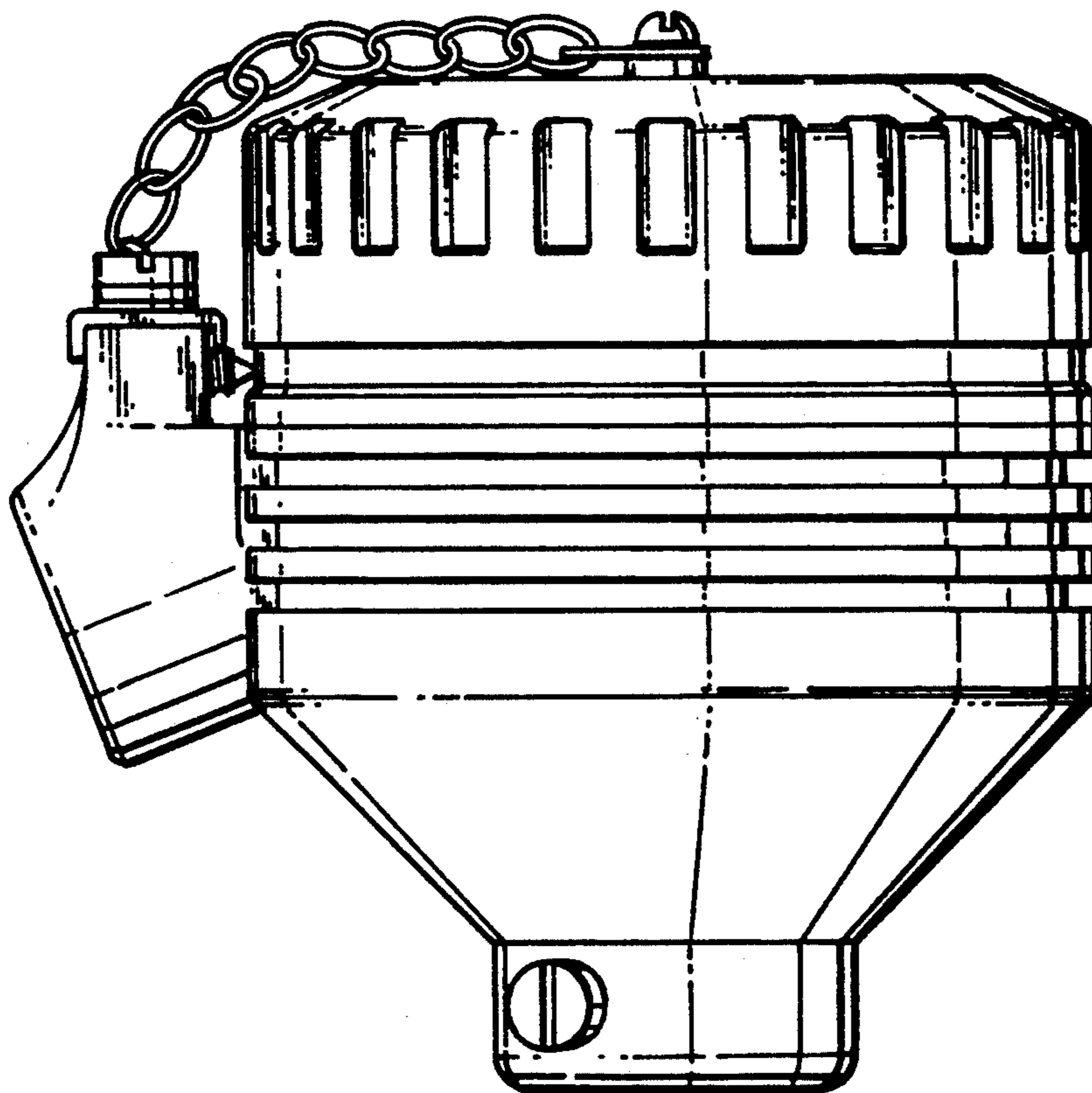


FIG. 3.

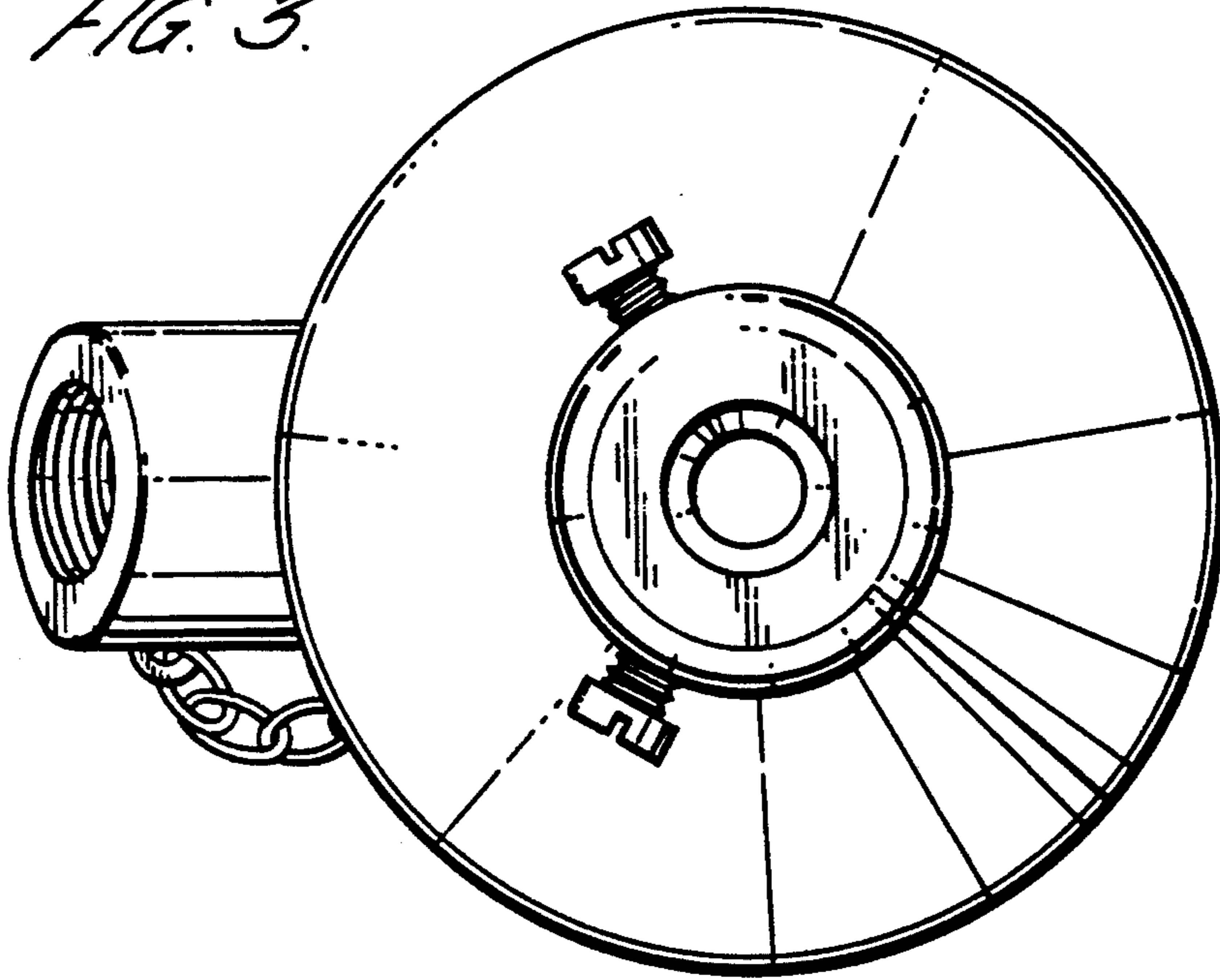


FIG. 4.

