



US00D329618S

United States Patent [19]

Hollander et al.

[11] Patent Number: **Des. 329,618**

[45] Date of Patent: **** Sep. 22, 1992**

[54] **COMBINED THERMOCOUPLE AND RTD CALIBRATOR**

[75] Inventors: **Milton B. Hollander, Stamford;**
Thomas E. Pyzik, Naugatuck, both of
Conn.

[73] Assignee: **Omega Engineering, Inc., Stamford,**
Conn.

[**] Term: **14 Years**

[21] Appl. No.: **601,324**

[22] Filed: **Oct. 19, 1990**

[52] U.S. Cl. **D10/52; D10/49;**
D13/184

[58] Field of Search **D10/49, 50, 51, 52;**
D13/133, 184; 136/221, 230, 231, 232, 233, 234,
235, 290; 374/137, 167, 208, 209

[56] **References Cited**

U.S. PATENT DOCUMENTS

D. 269,071	5/1983	Waterman	D10/46
3,504,522	4/1970	Oasik et al.	374/1
4,075,882	2/1978	Waldron	374/1
4,204,882	5/1980	Howell	136/221 X
4,392,005	7/1983	Mohrman	136/221 X
4,759,895	7/1988	Fortune et al.	136/230 X

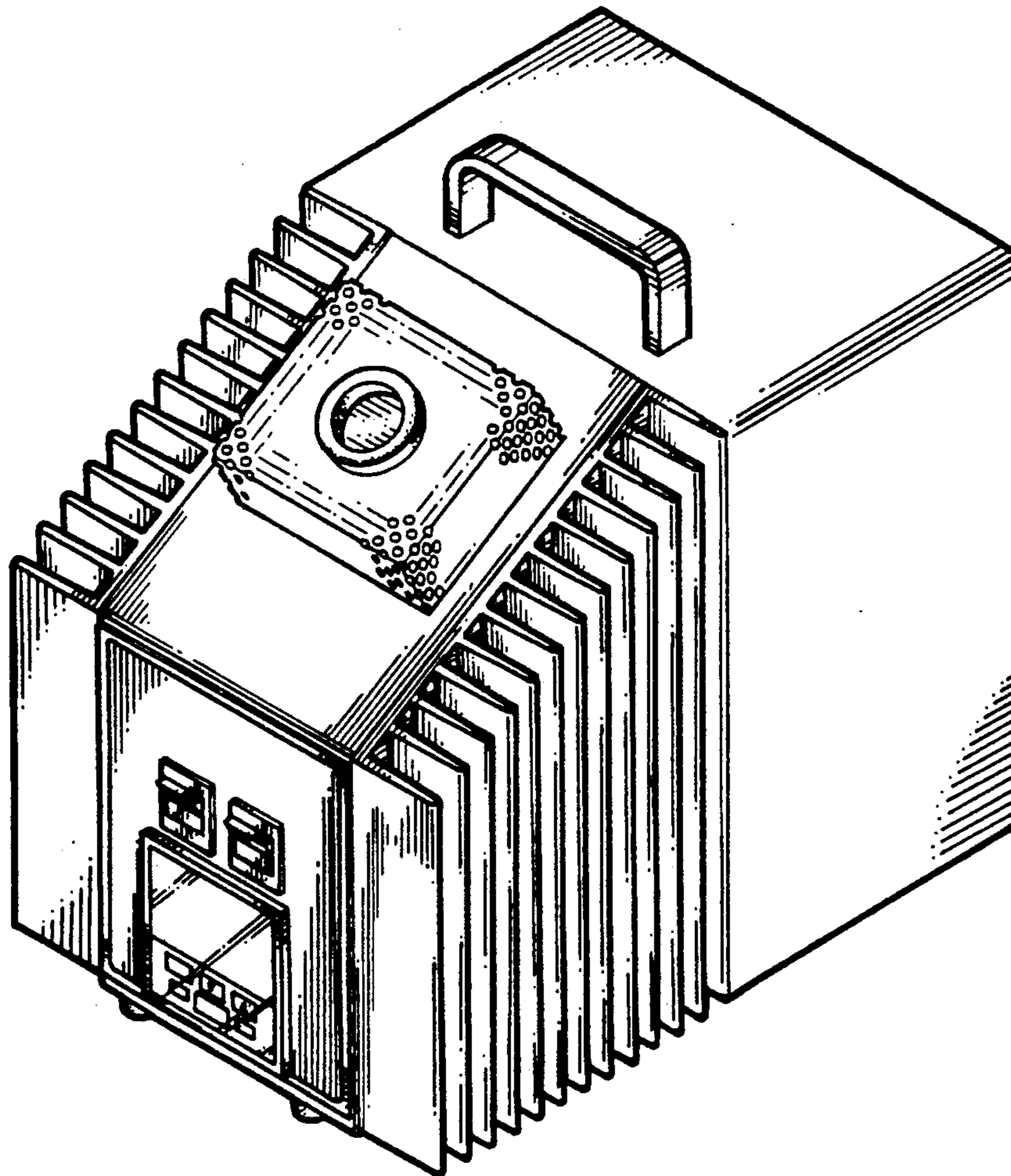
Primary Examiner—Donald P. Walsh
Assistant Examiner—Antoine D. Davis
Attorney, Agent, or Firm—Bruce E. Hosmer; Howard S. Reiter

[57] CLAIM

The ornamental design for a combined thermocouple and RTD calibrator, as shown.

DESCRIPTION

FIG. 1 is a top, front and right side perspective view of a combined thermocouple and RTD calibrator showing our new design;
FIG. 2 is a left side elevational view;
FIG. 3 is a rear elevational view; and,
FIG. 4 is a bottom plan view thereof.



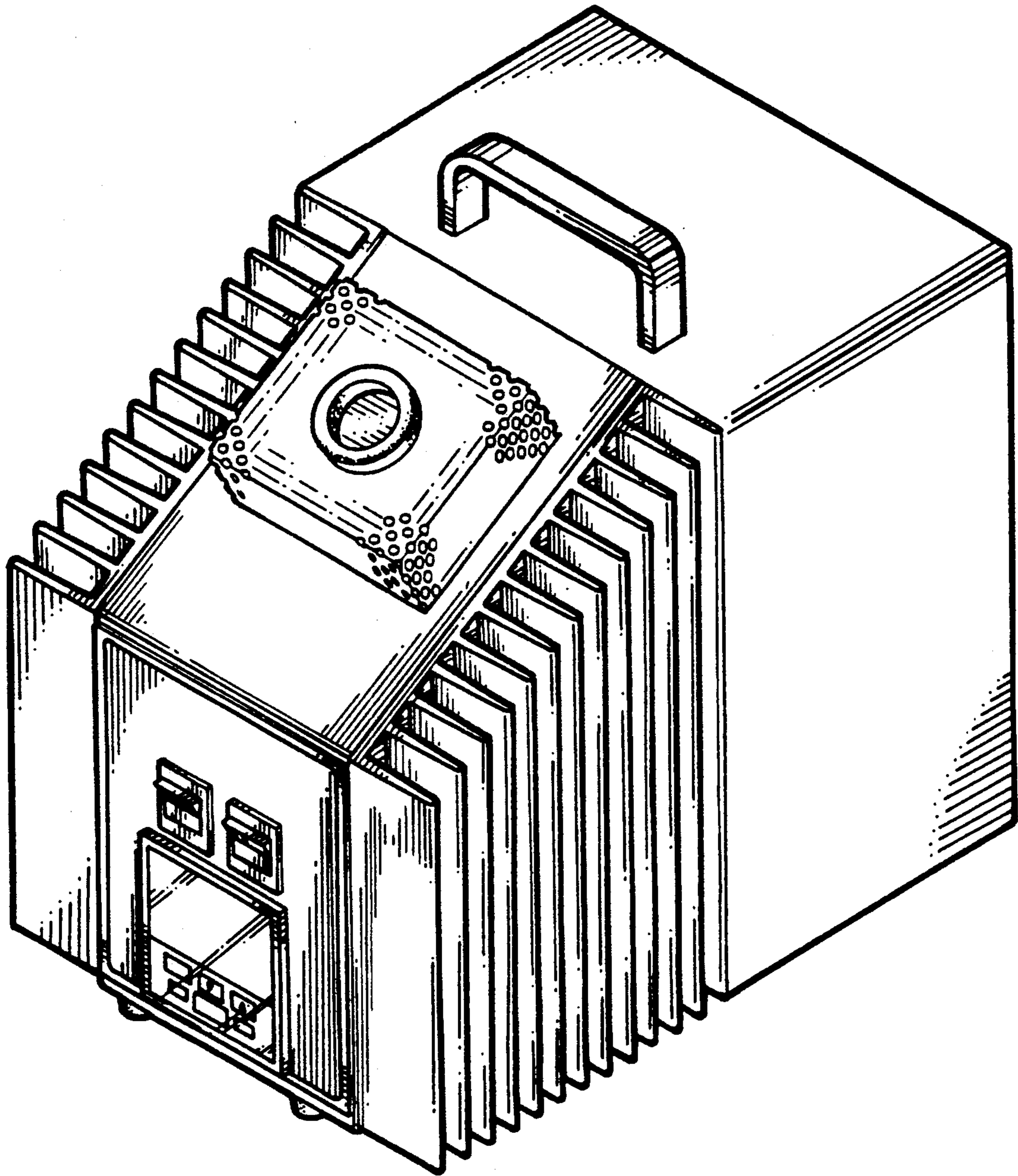


FIG. 1

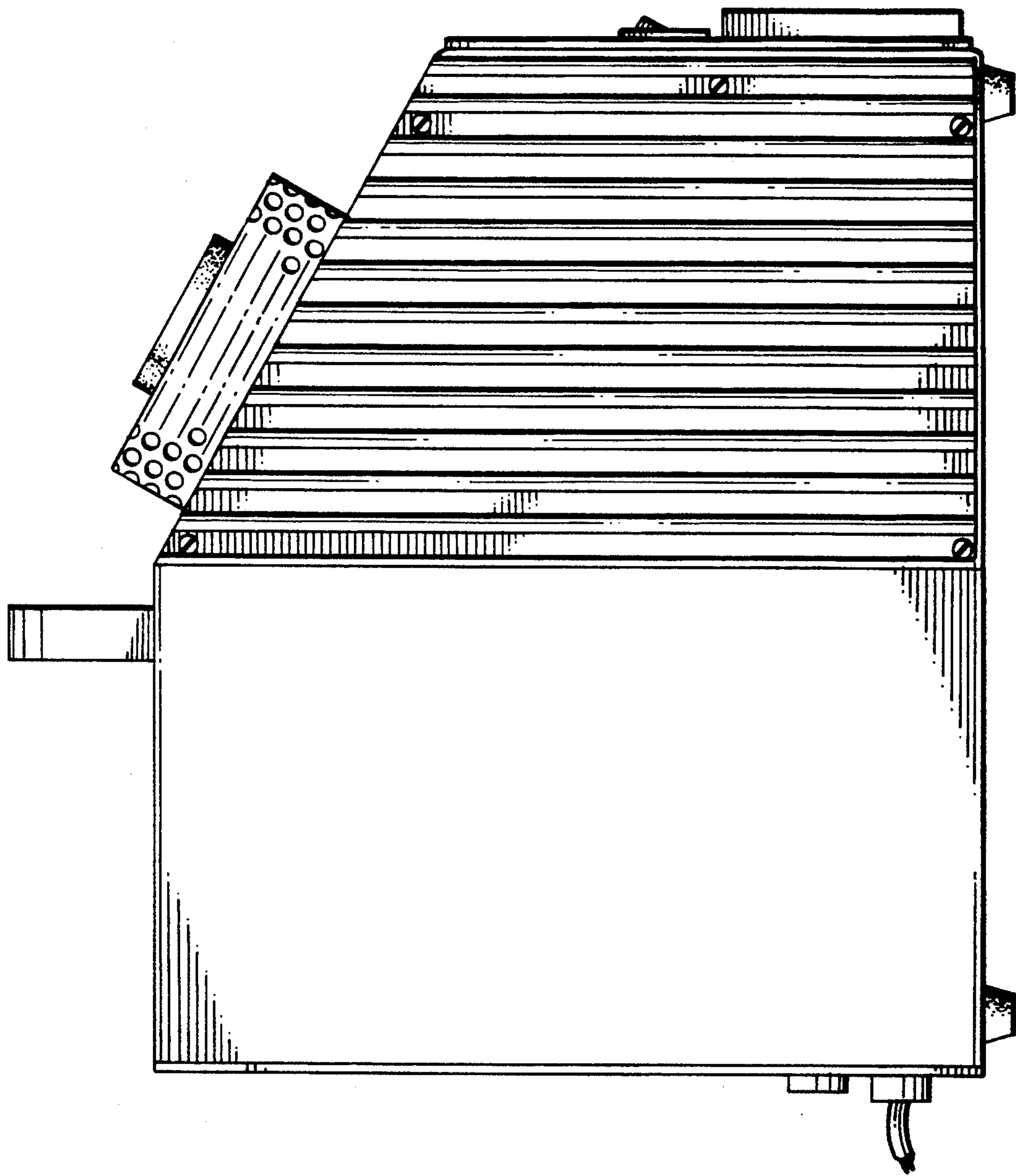


FIG. 2

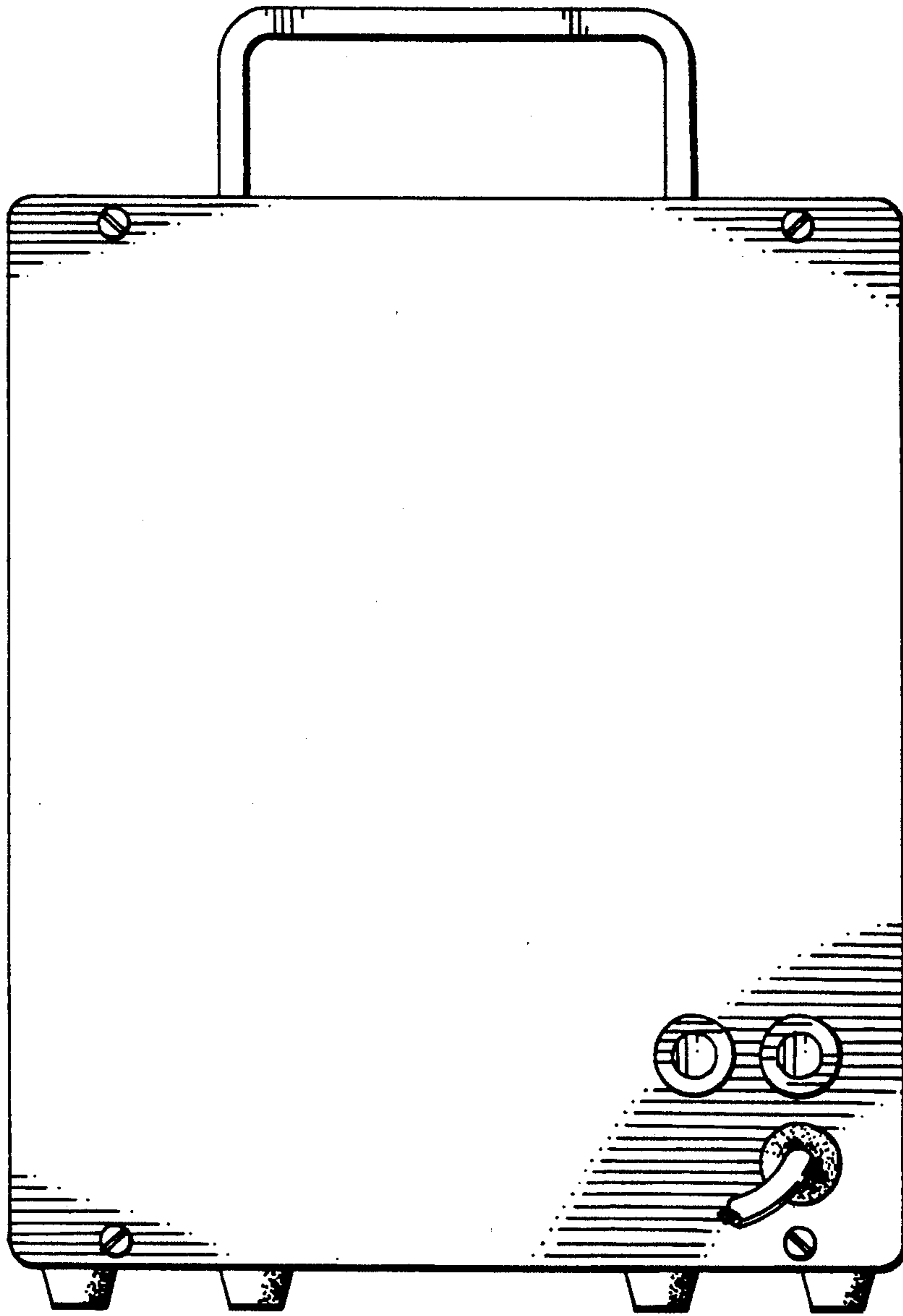


FIG. 3

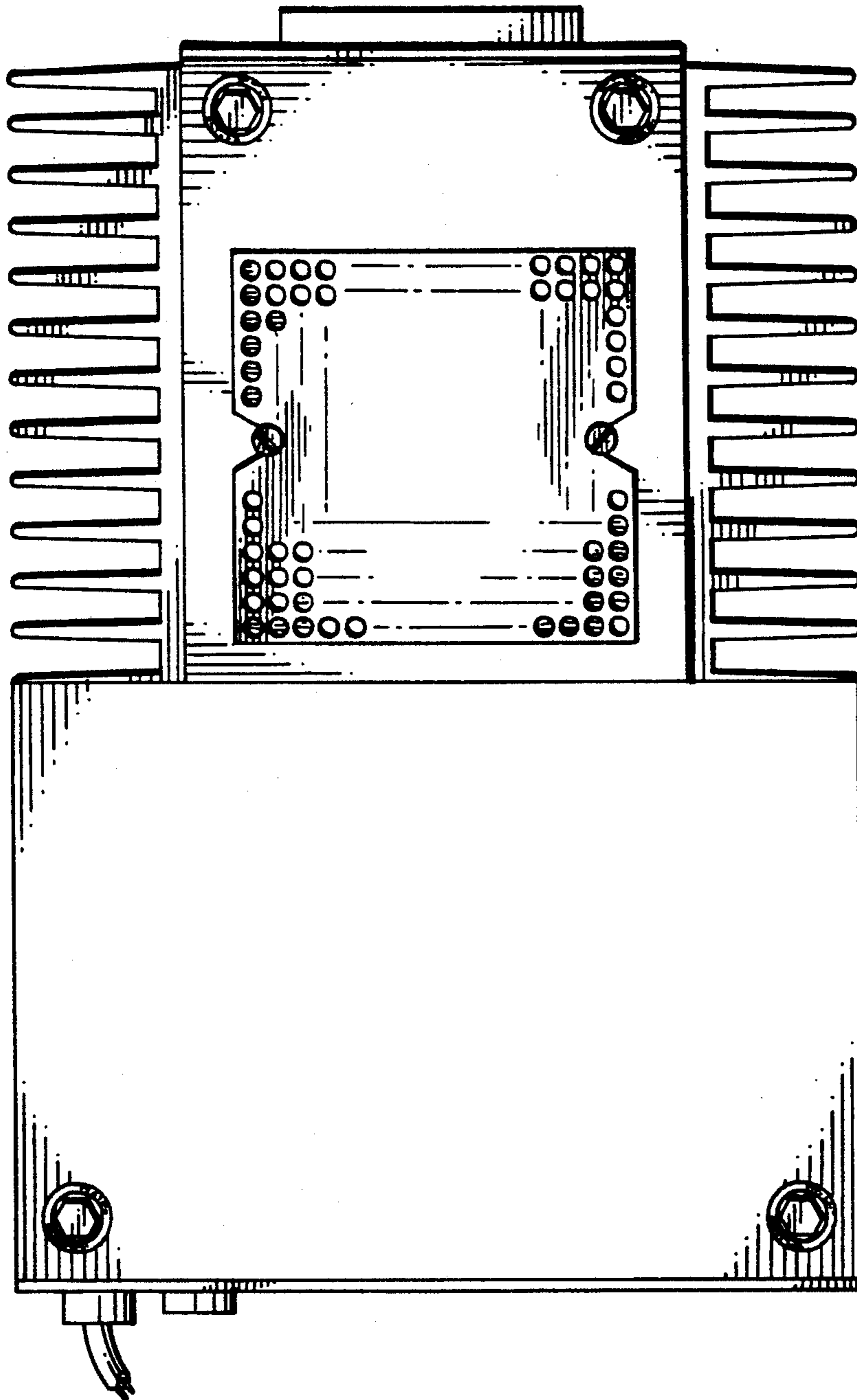


FIG. 4