



US00D329614S

United States Patent [19]

Ando et al.

[11] Patent Number: Des. 329,614

[45] Date of Patent: ** Sep. 22, 1992

[54] SPECTROPHOTOMETER

[75] Inventors: Osamu Ando, Kyoto; Susumu Ogiwara, Chiba, both of Japan

[73] Assignee: Shimadzu Corporation, Kyoto, Japan

[**] Term: 14 Years

[21] Appl. No.: 571,893

[22] Filed: Aug. 24, 1990

[30] Foreign Application Priority Data

Apr. 30, 1990 [JP] Japan 2-15007

[52] U.S. Cl. D10/46; D10/75

[58] Field of Search D10/46, 75, 81; 356/244, 246, 300, 319, 323, 325, 326, 328, 440

[56] References Cited

U.S. PATENT DOCUMENTS

D. 209,823	1/1968	Waligorski et al.	D10/46
D. 211,574	7/1968	Macaulay et al.	D10/46
D. 211,634	7/1968	Derkas et al.	D10/46
D. 219,306	11/1970	Morgan et al.	D10/46
D. 258,273	2/1981	Collister et al. .	
D. 276,315	11/1984	Collister .	
D. 282,724	2/1986	Colliser et al. .	
D. 307,398	4/1990	Umemoto et al.	D10/46
3,702,736	11/1972	Coggeshall	356/319
3,702,736	11/1972	Coggeshall .	

4,293,222 10/1981 Caruso et al. 356/319
4,304,490 12/1981 Murakoshi et al. 356/319

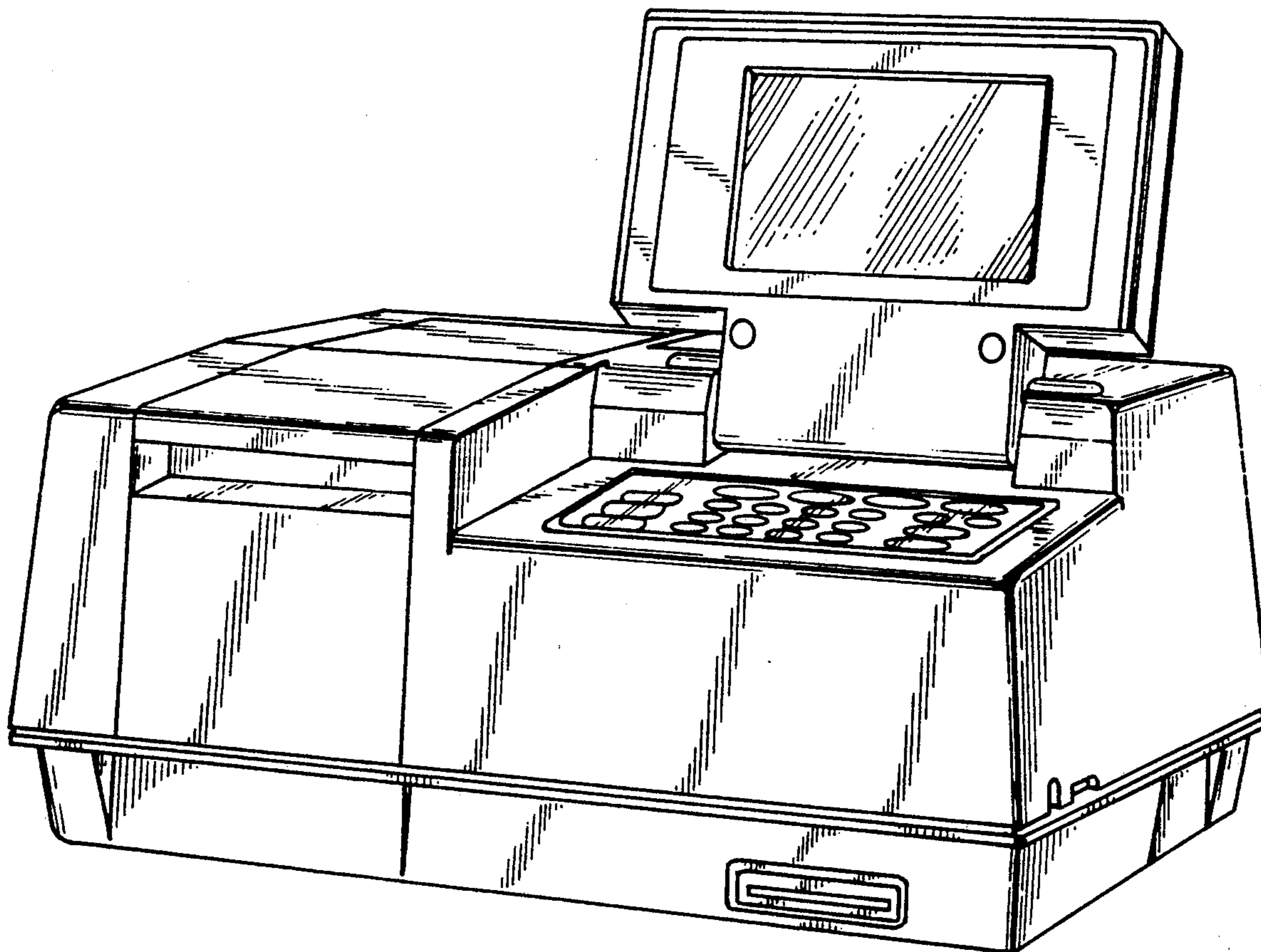
Primary Examiner—Donald P. Walsh
Assistant Examiner—Antonie D. Davis
Attorney, Agent, or Firm—Wegner, Cantor, Mueller & Player

[57] CLAIM

The ornamental design for a spectrophotometer, as shown and described.

DESCRIPTION

FIG. 1 is a perspective view of a spectrophotometer showing our new design; FIG. 2 is a front elevational view; FIG. 3 is a left side elevational view; FIG. 4 is a rear elevational view; FIG. 5 is a right side elevational view; FIG. 6 is a top plan view; FIG. 7 is a bottom plan view; FIG. 8 is a front elevational view, shown in an alternate condition of use; FIG. 9 is a left side elevational view thereof; FIG. 10 is a rear elevational view thereof; FIG. 11 is a right side elevational view thereof; and, FIG. 12 is a top plan view thereof. FIG. 1 has been drawn on a reduced scale with respect to FIGS. 2-12.



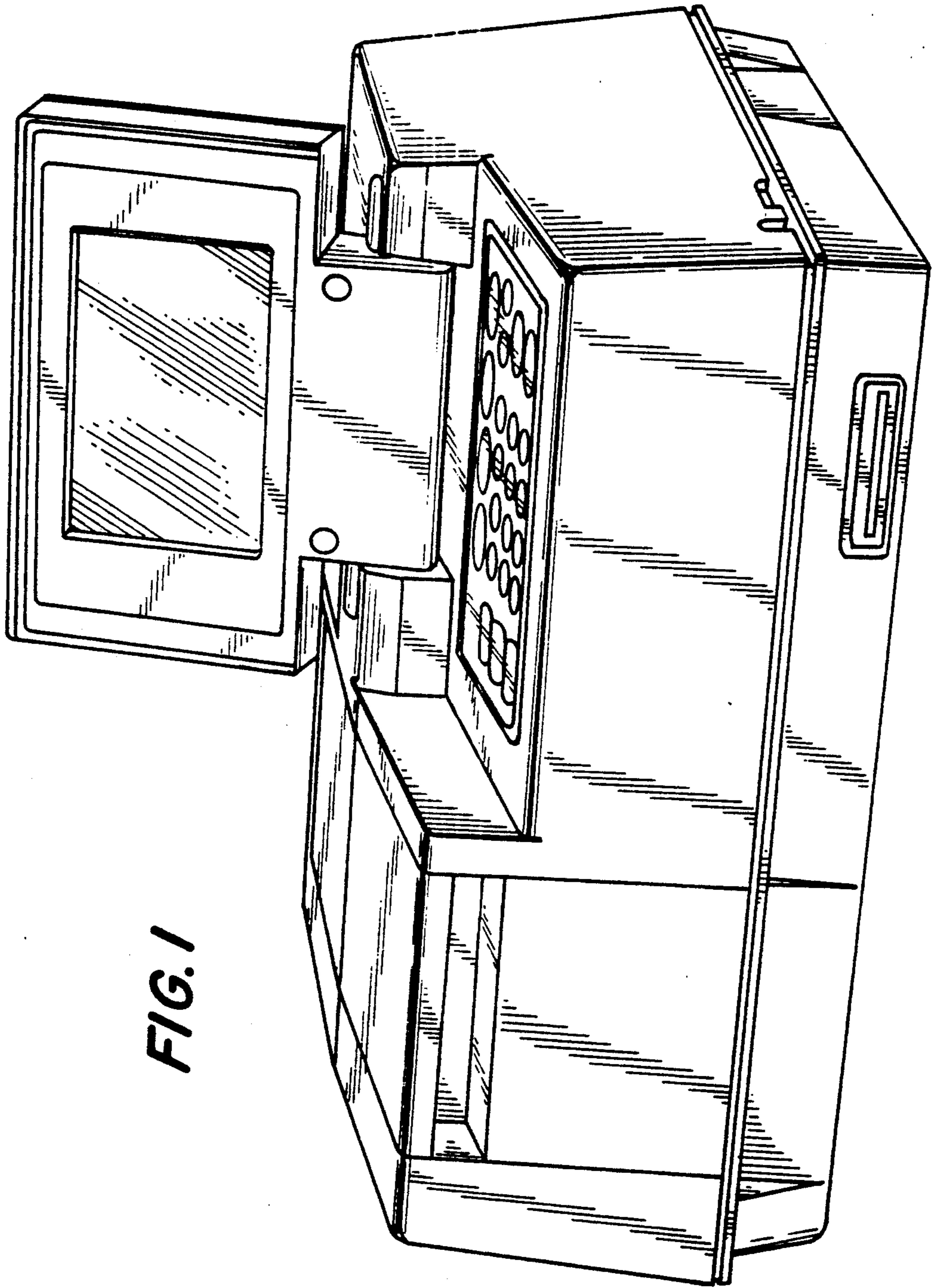


FIG. 1

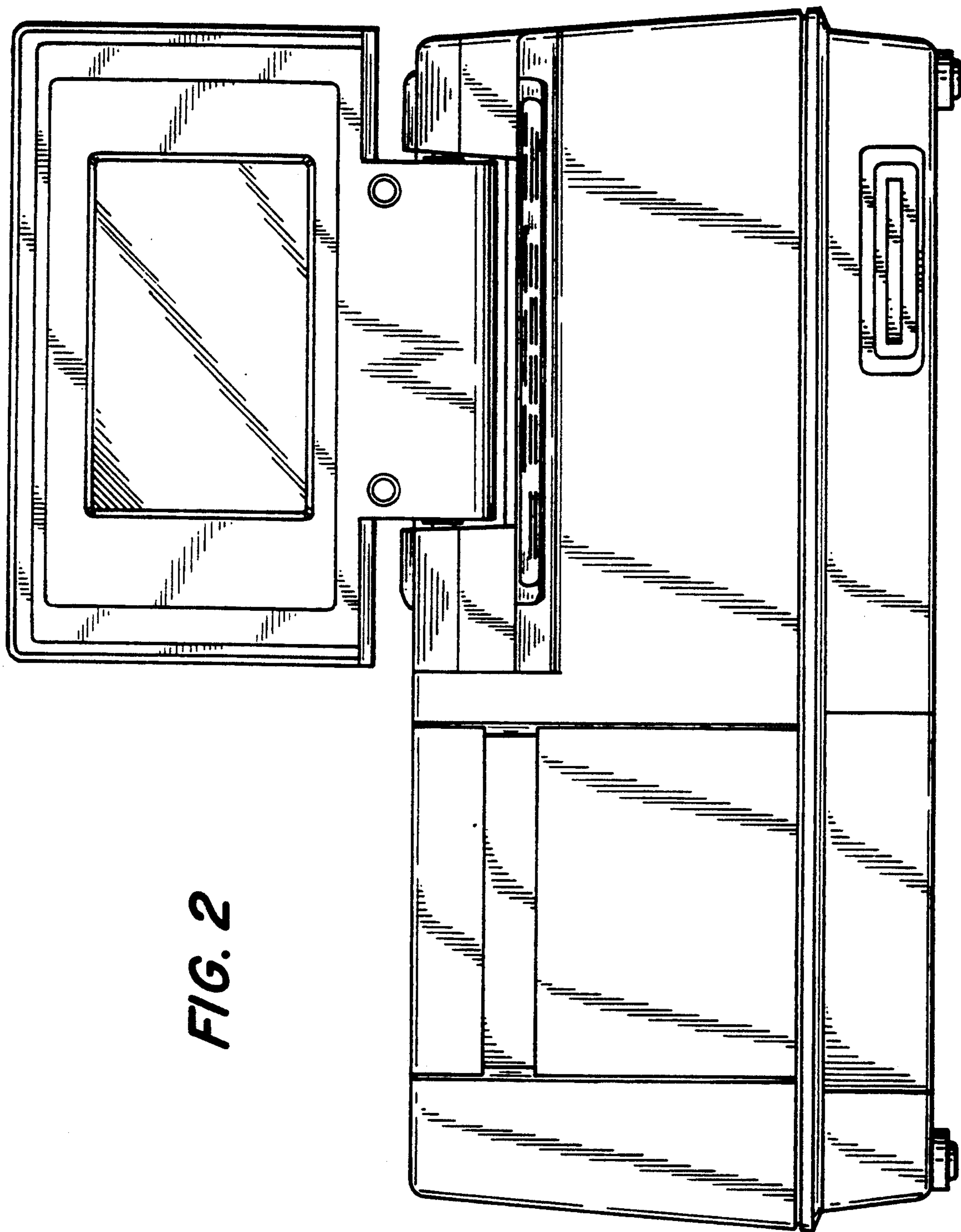


FIG. 2

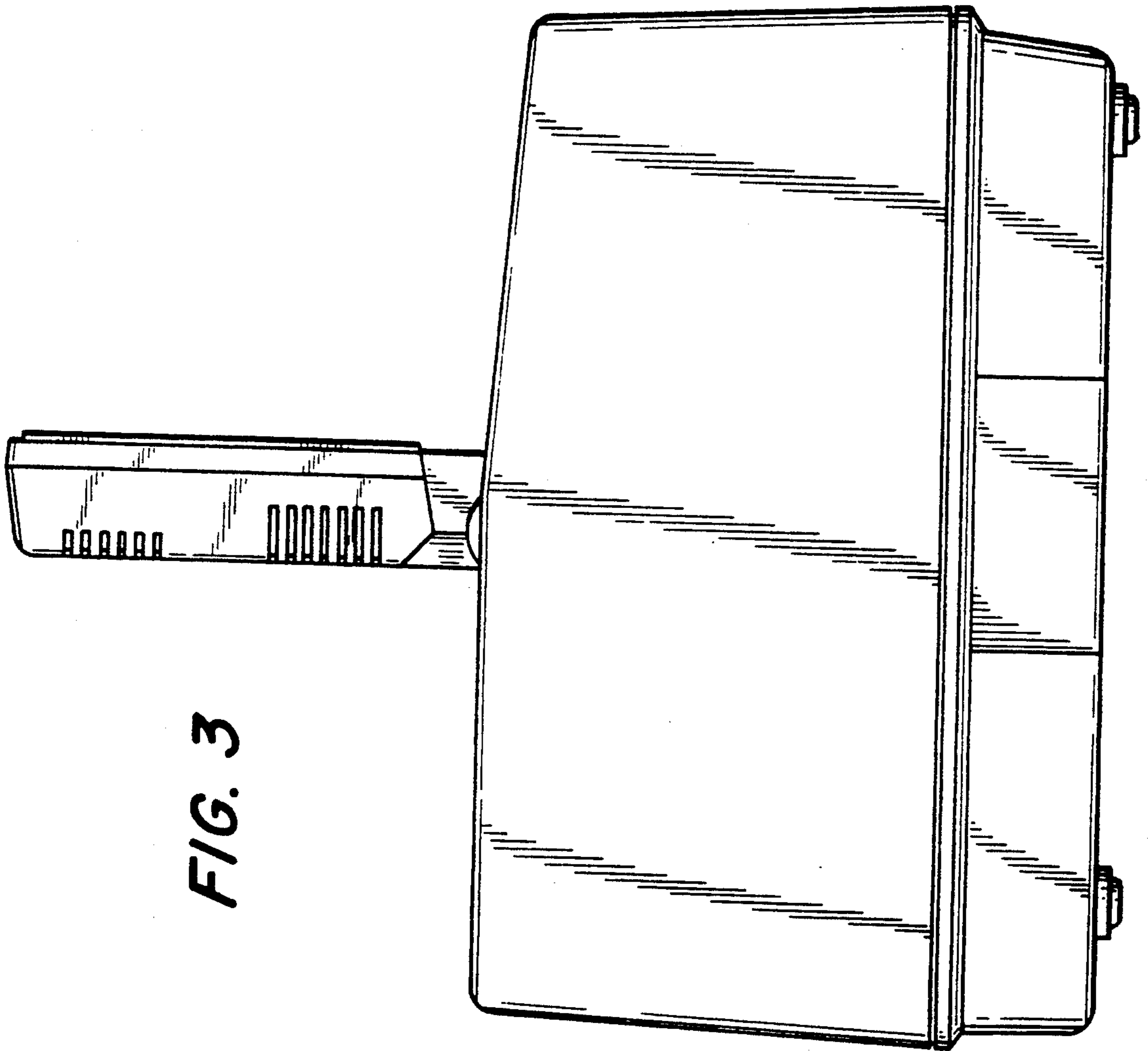
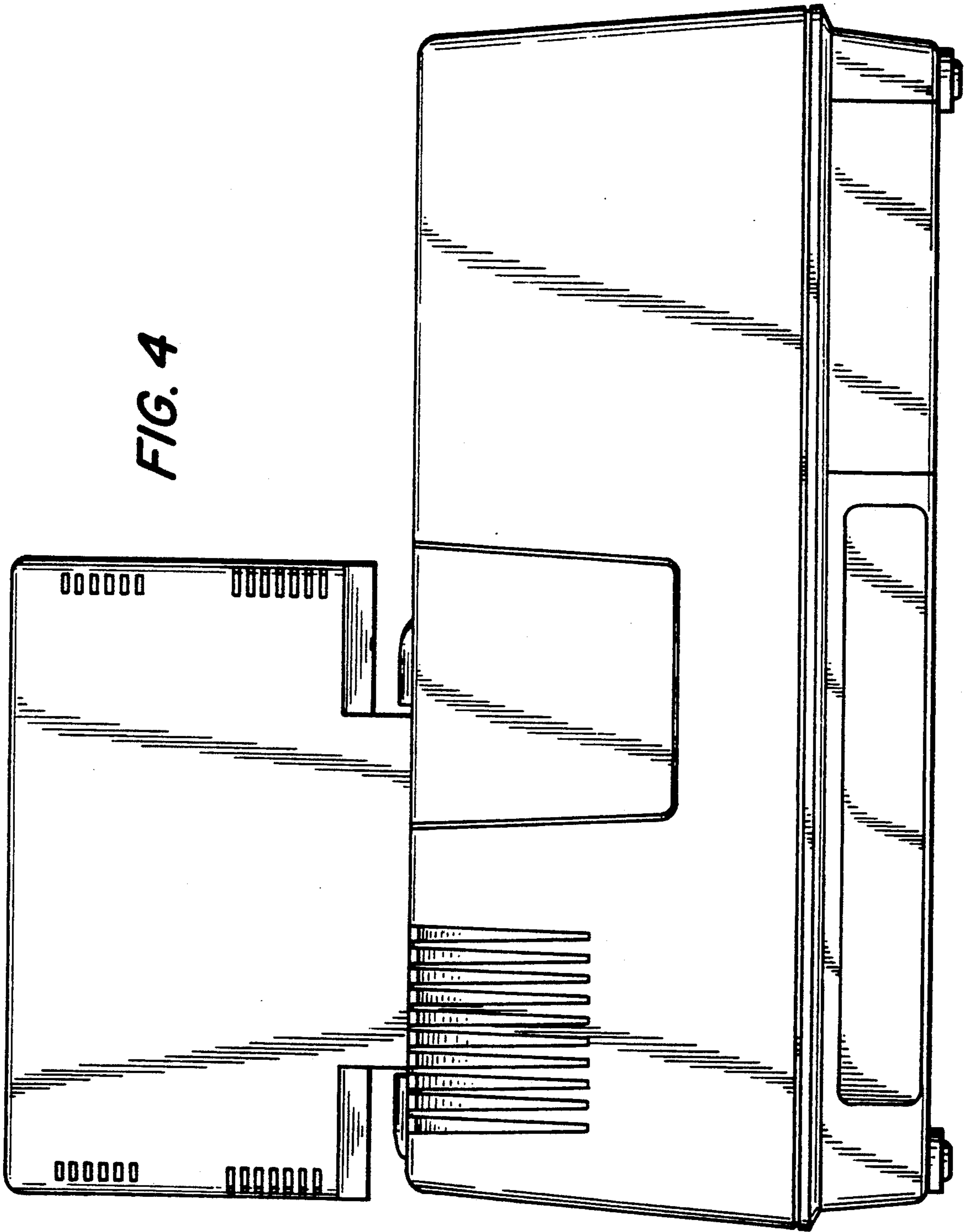


FIG. 3

FIG. 4



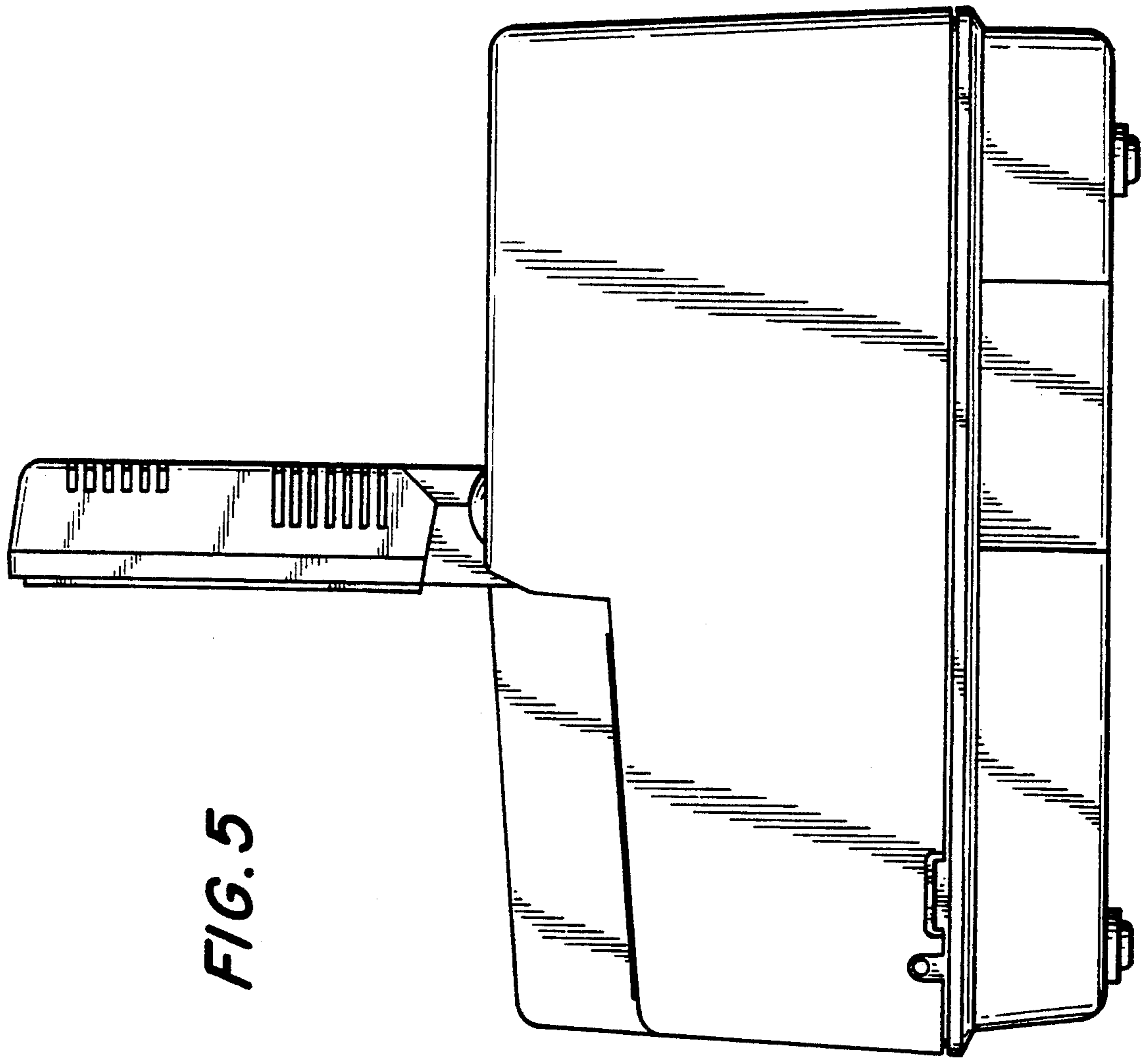


FIG. 5

FIG. 6

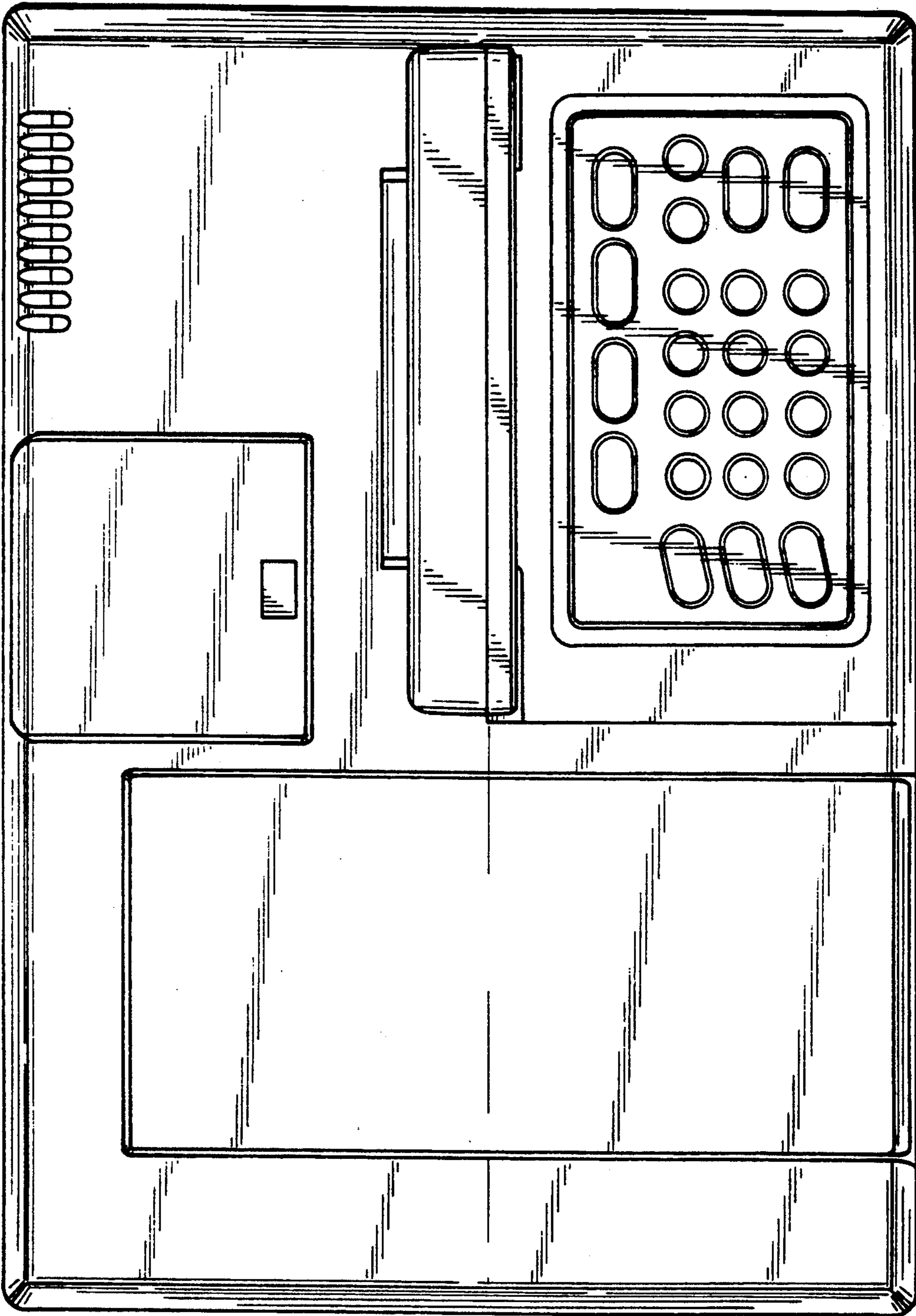


FIG. 7

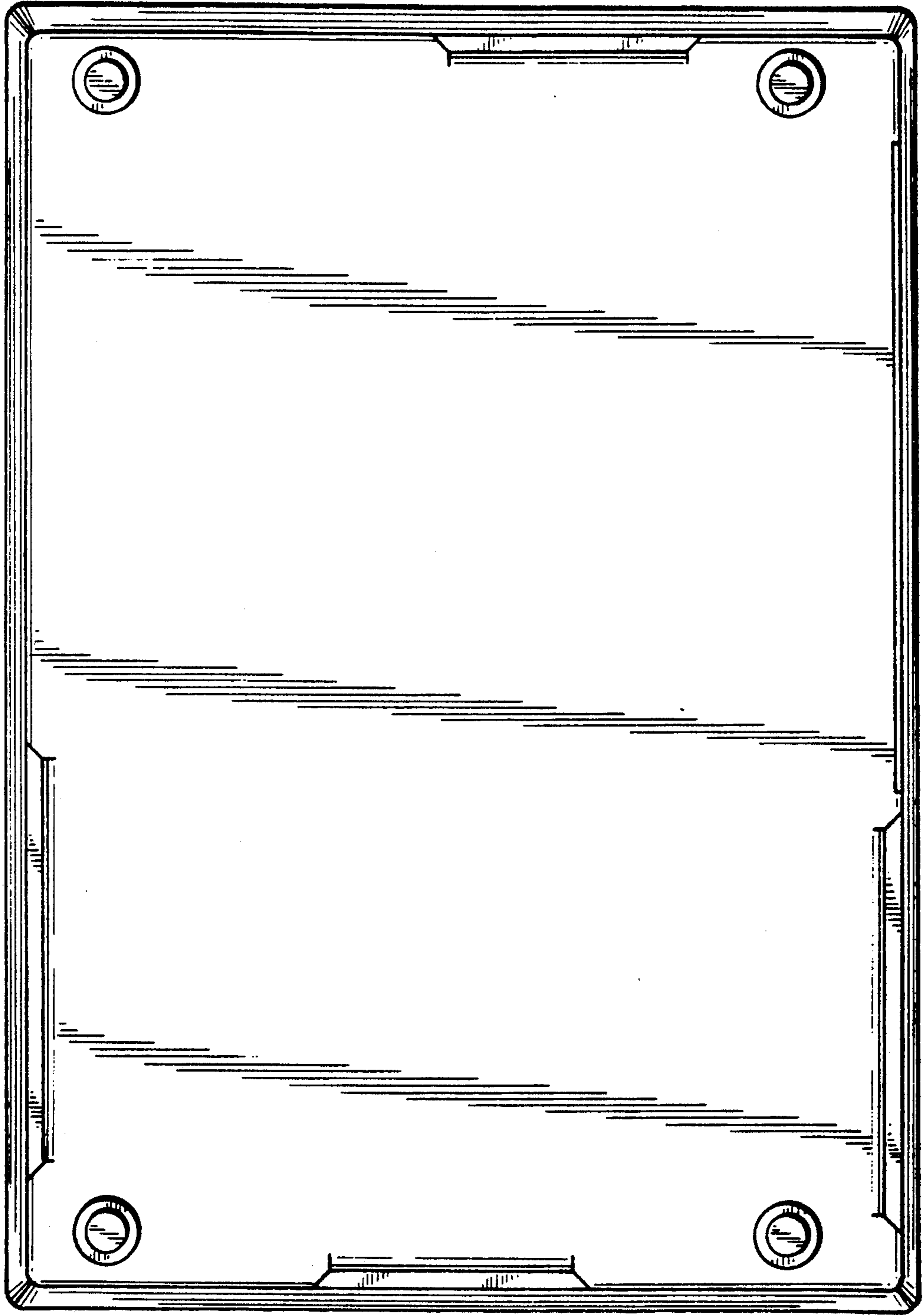


FIG. 8

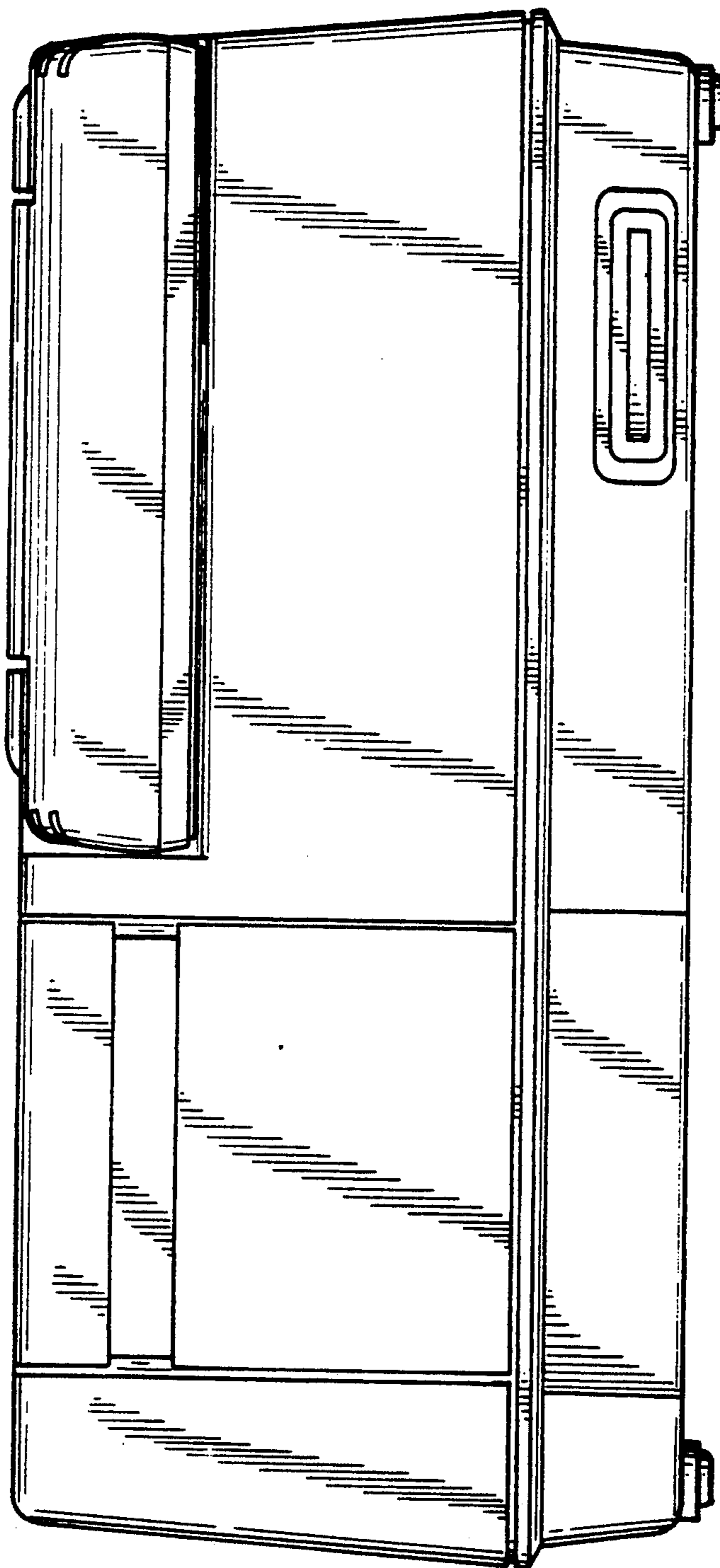


FIG. 9

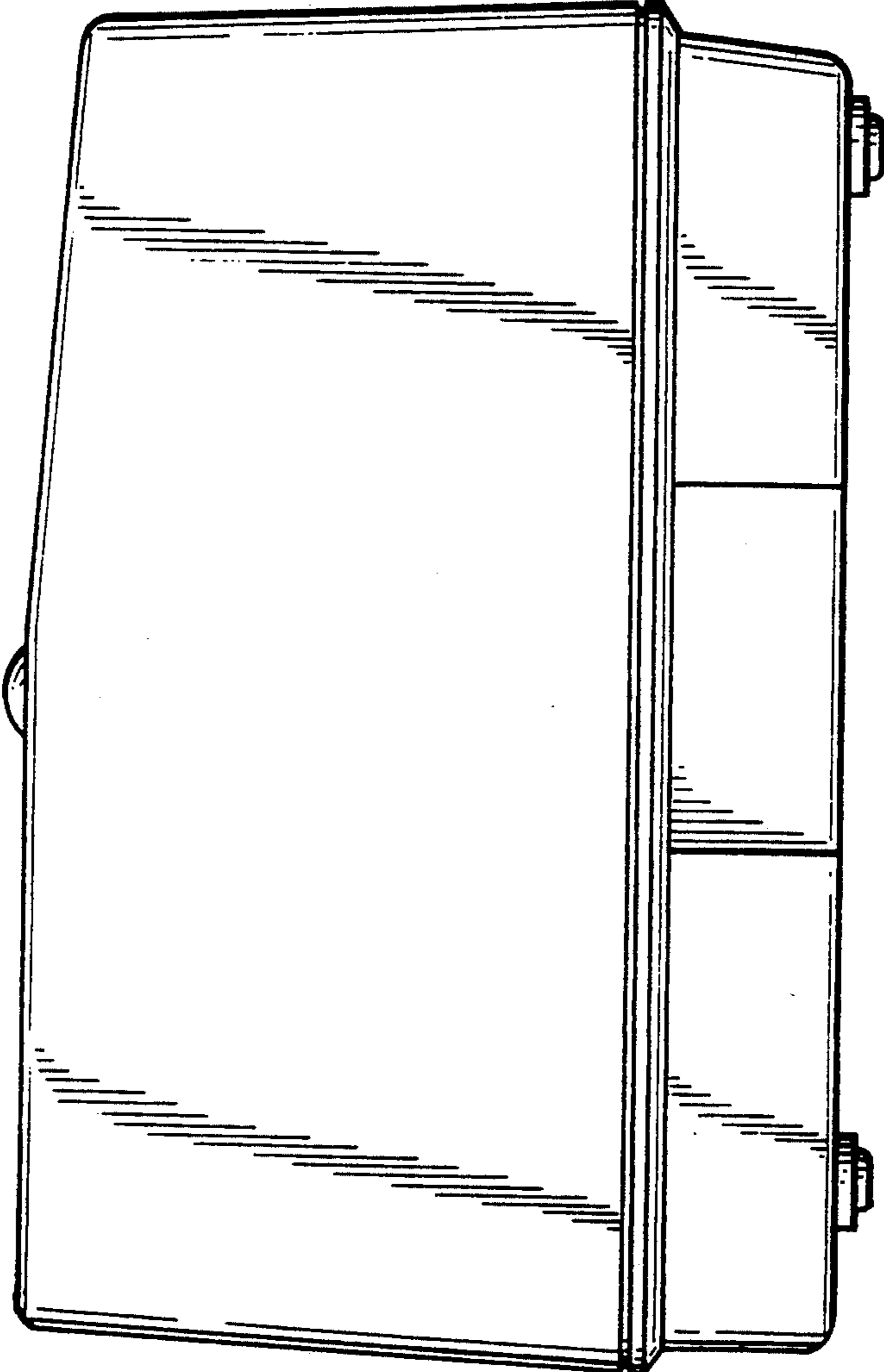


FIG. 10

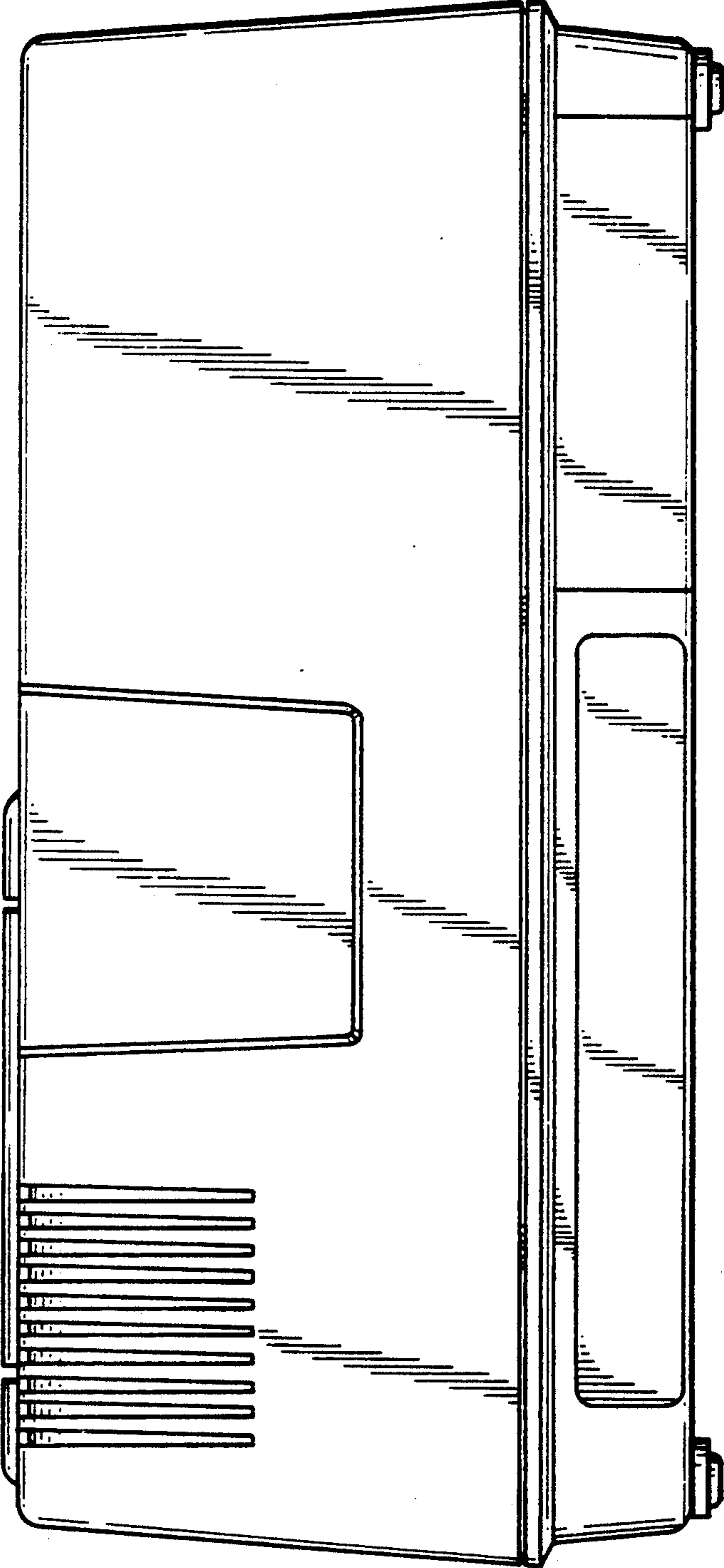


FIG. 11

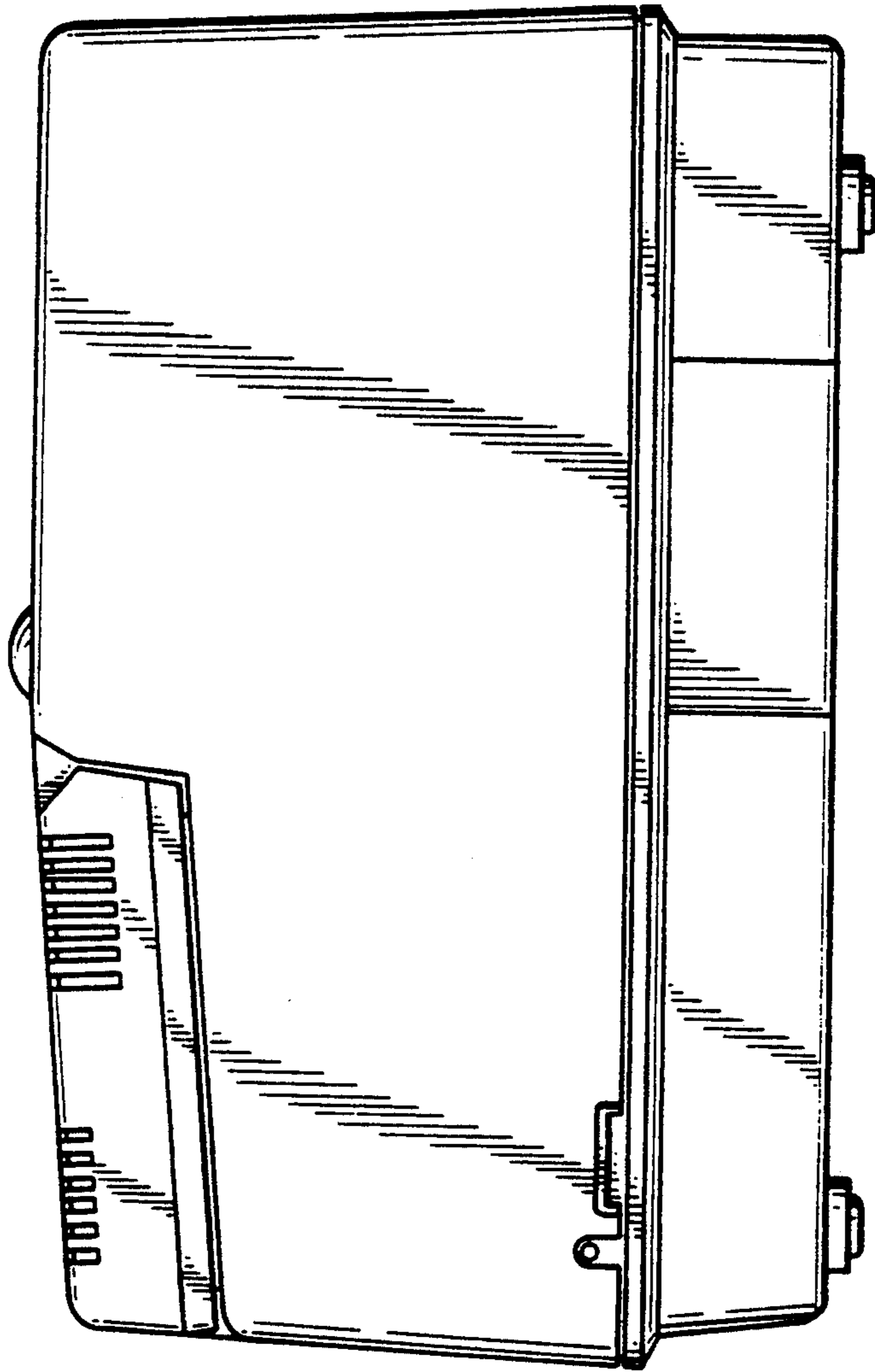


FIG. 12

