



US00D329612S

United States Patent [19]

Hysek

[11] Patent Number: **Des. 329,612**

[45] Date of Patent: **** Sep. 22, 1992**

[54] **WATCH OR SIMILAR ARTICLE**

[76] Inventor: **Jörg Hysek, 35, route de Morges, CH-1162 Saint-Prex, Switzerland**

[**] Term: **14 Years**

[21] Appl. No.: **423,154**

[22] Filed: **Oct. 18, 1989**

[30] **Foreign Application Priority Data**

Apr. 18, 1989 [WO] World Int. Prop. O. ... DM/013 383

[52] U.S. Cl. **D10/39; D10/30**

[58] Field of Search **D10/1-40, D10/122-132; 368/276-277, 280-282, 285**

[56] **References Cited**

U.S. PATENT DOCUMENTS

- D. 250,694 1/1979 Perrin D10/39
- D. 252,859 9/1979 Perrin D10/39
- D. 267,237 12/1982 Kanoui D10/39

- D. 286,621 11/1986 Perrin D10/32
- D. 289,502 4/1987 Woomer D10/32
- D. 292,890 11/1987 Schoepfer D10/39
- D. 294,683 3/1988 Pierrin D10/32
- D. 321,144 10/1991 Besson D10/39
- 3,545,199 12/1970 Rice D10/31 X

Primary Examiner—Nelson C. Holtje
Attorney, Agent, or Firm—Baker & McKenzie

[57] **CLAIM**

The ornamental design for watch or similar article, as shown and described.

DESCRIPTION

FIG. 1 is a top plan view of a watch or similar article showing my new design;
FIG. 2 is a bottom plan view thereof;
FIG. 3 is a right side elevational view thereof;
FIG. 4 is a left side elevational view thereof;
FIG. 5 is an inverted rear elevational view thereof; and,
FIG. 6 is a front elevational view thereof.

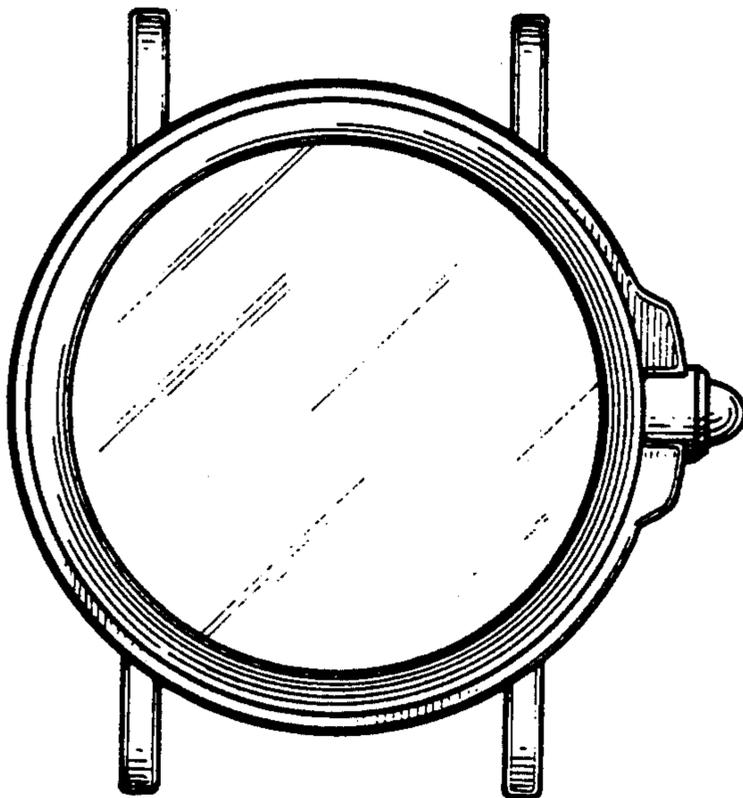


Fig 1

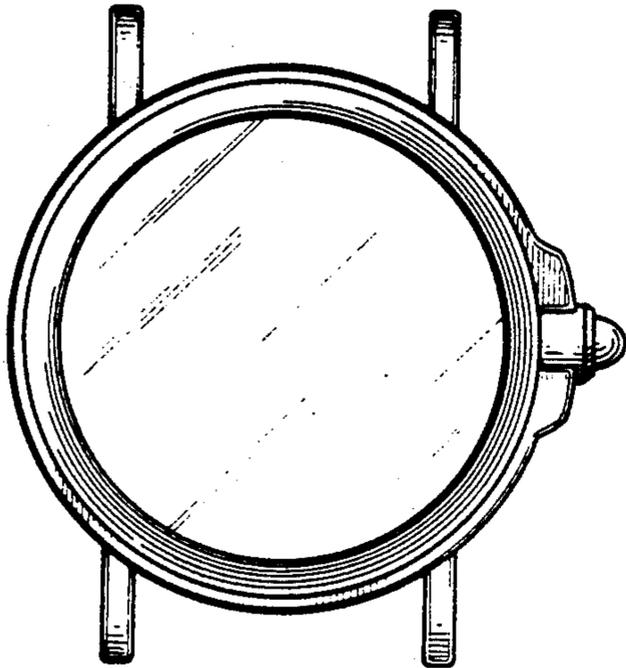


Fig 2

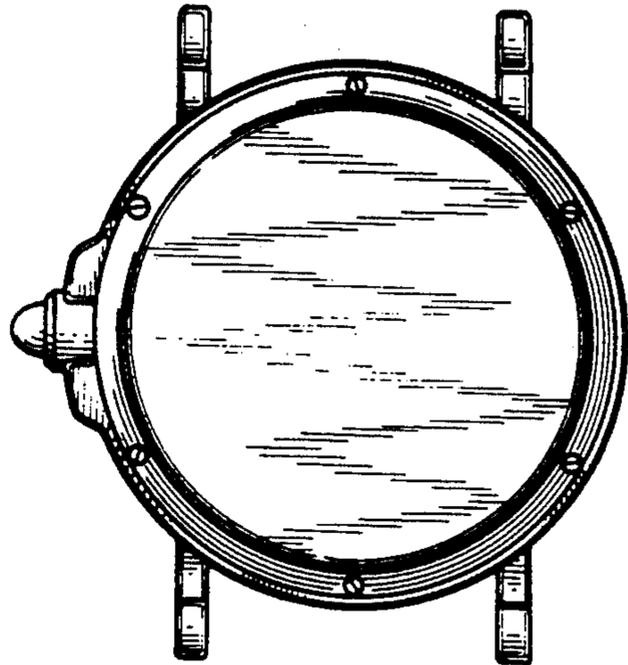


Fig 3

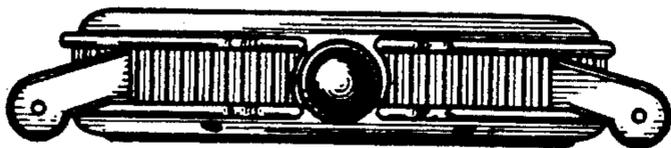


Fig 4



Fig 5

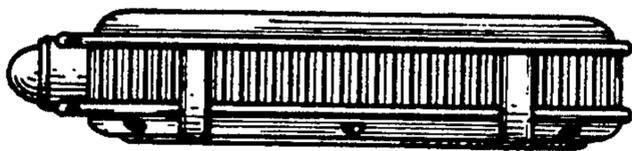


Fig 6

