



US00D329608S

United States Patent [19]

[11] Patent Number: **Des. 329,608**

Bech

[45] Date of Patent: **** Sep. 22, 1992**

[54] BOTTLE

[76] Inventor: **Frank W. Bech, Kokkedal**
Industripark 11, 1980 Kokkedal,
Denmark

[**] Term: **14 Years**

[21] Appl. No.: **550,891**

[22] Filed: **Jul. 11, 1990**

[30] Foreign Application Priority Data

Jan. 12, 1990 [DK] Denmark 0037/1990

[52] U.S. Cl. **D9/551; D9/520**

[58] Field of Search D9/392, 390-399,
D9/349-355, 377, 301, 370, 406; 215/1 R, 1 C

[56] References Cited

U.S. PATENT DOCUMENTS

- D. 210,867 4/1968 Kuroda D9/352
- D. 220,160 3/1971 Balbach D9/352

- D. 231,083 4/1974 Campbell D9/406 X
- D. 234,293 2/1975 Toland D9/353
- D. 242,528 11/1976 Weckman D9/355
- D. 274,848 7/1984 Chevassus D9/353 X
- D. 285,903 9/1986 Courtman D9/395 X
- D. 321,649 11/1991 Lambe, Jr. et al. D9/353

Primary Examiner—Bernard Ansher
Assistant Examiner—Lucy Lieberman
Attorney, Agent, or Firm—Mason, Fenwick & Lawrence

[57] CLAIM

The ornamental design for a bottle, as shown and described.

DESCRIPTION

FIG. 1 is a front elevation of a bottle showing my new design; the rear elevation is the same;
FIG. 2 is a bottom plan view thereof;
FIG. 3 is a cross-sectional view taken on the line 3—3 of FIG. 2; and,
FIG. 4 is a top plan view thereof.

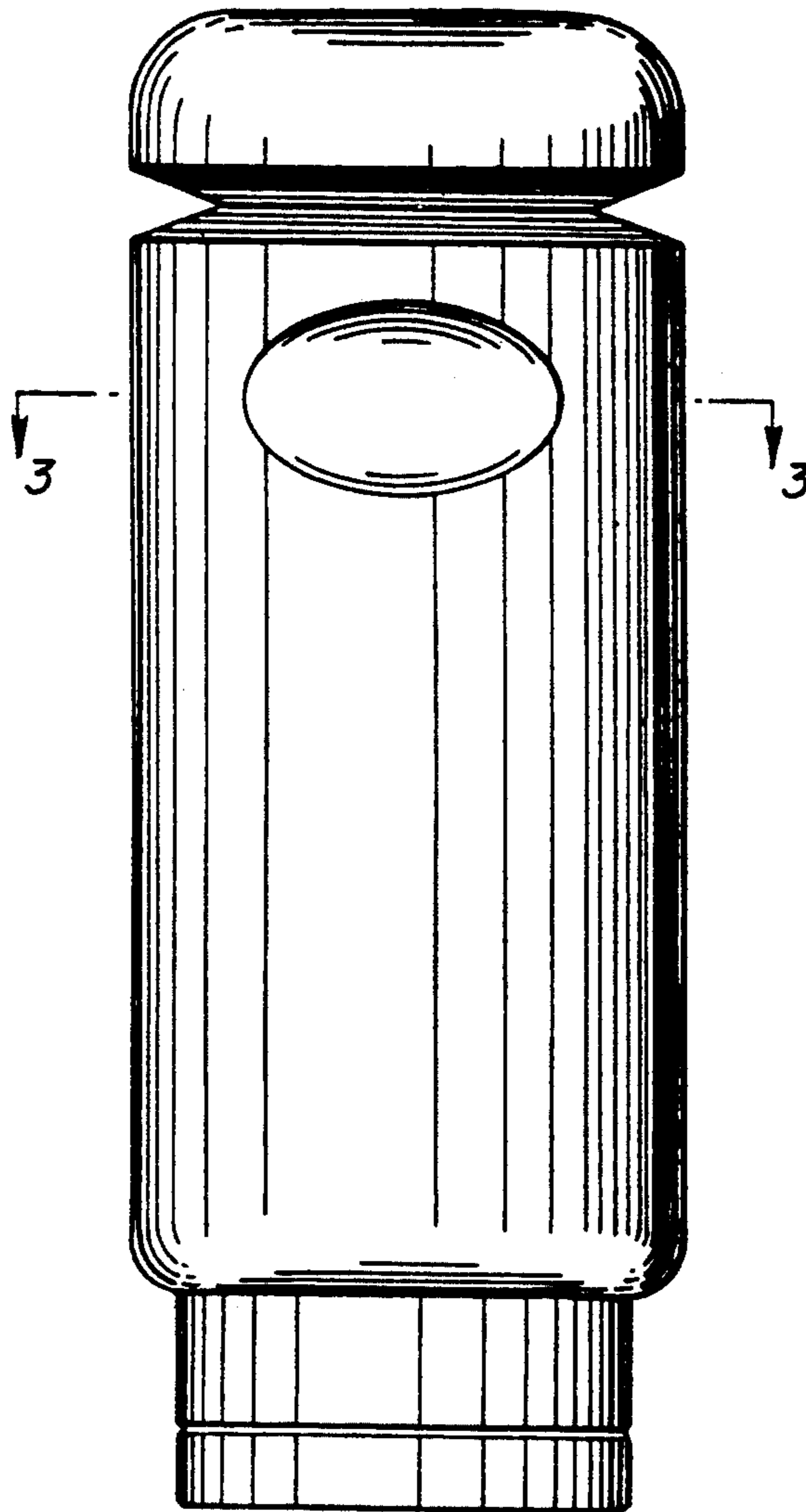


Fig. 1.

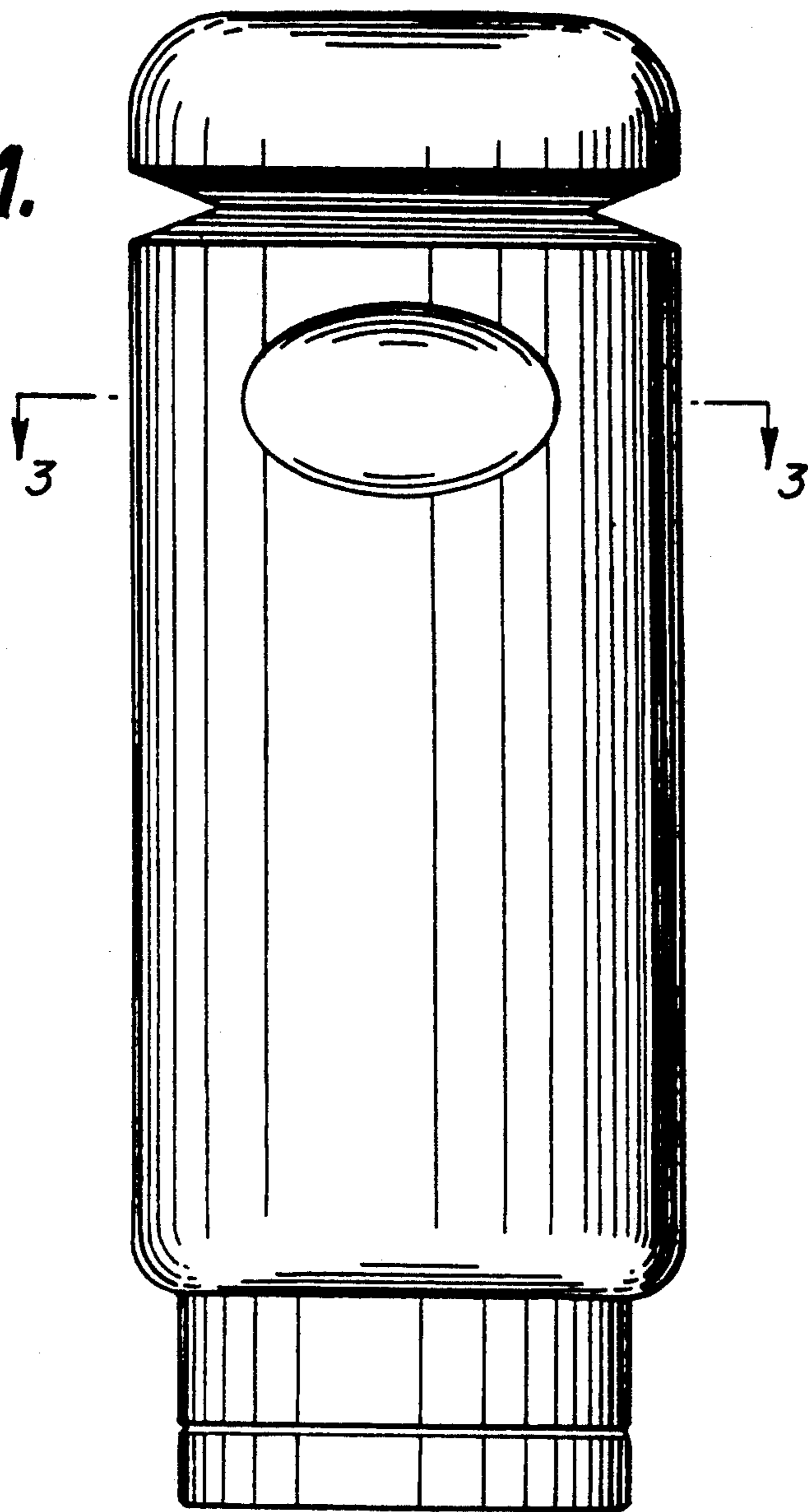
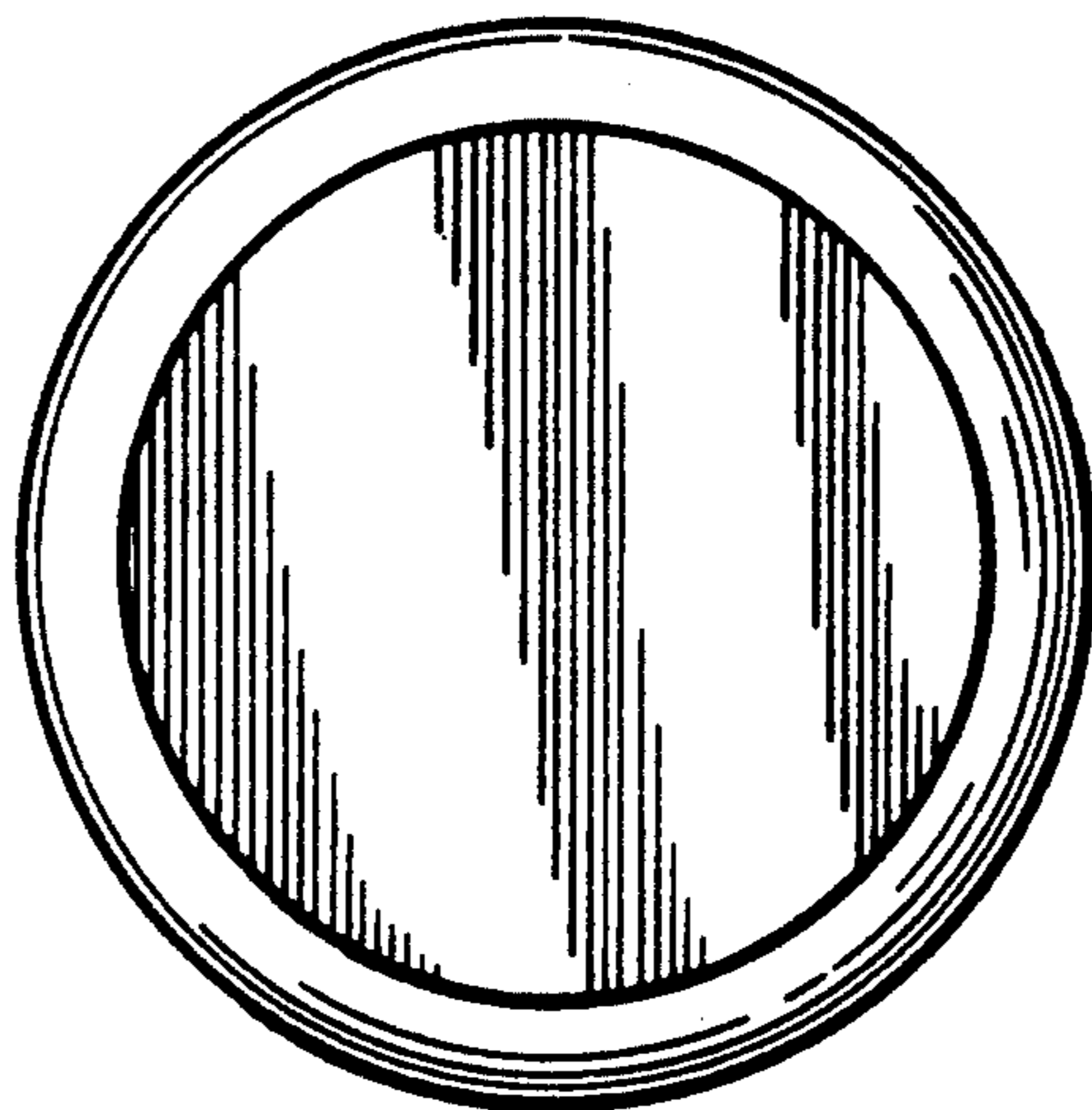


Fig. 2.



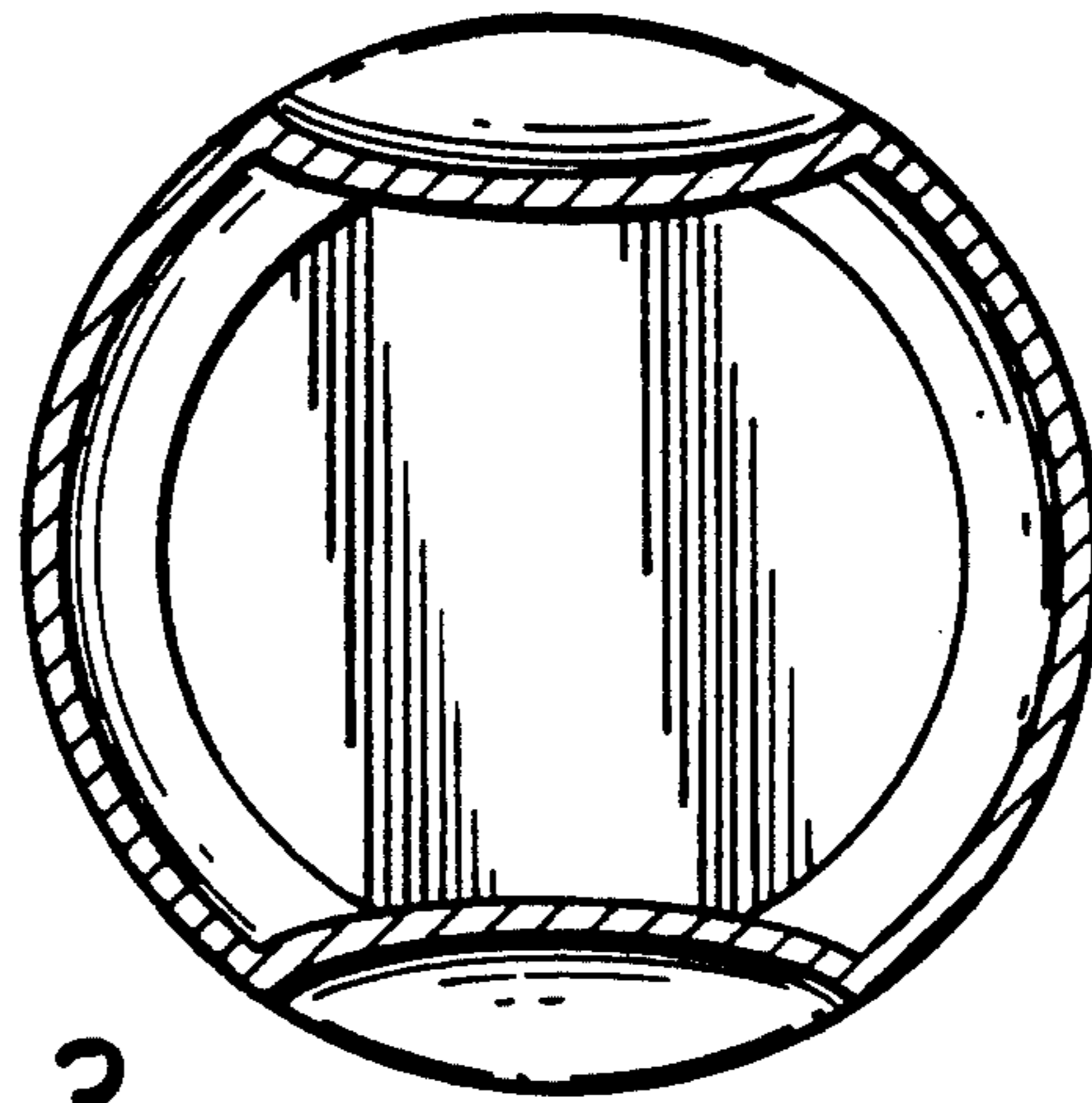


Fig. 3

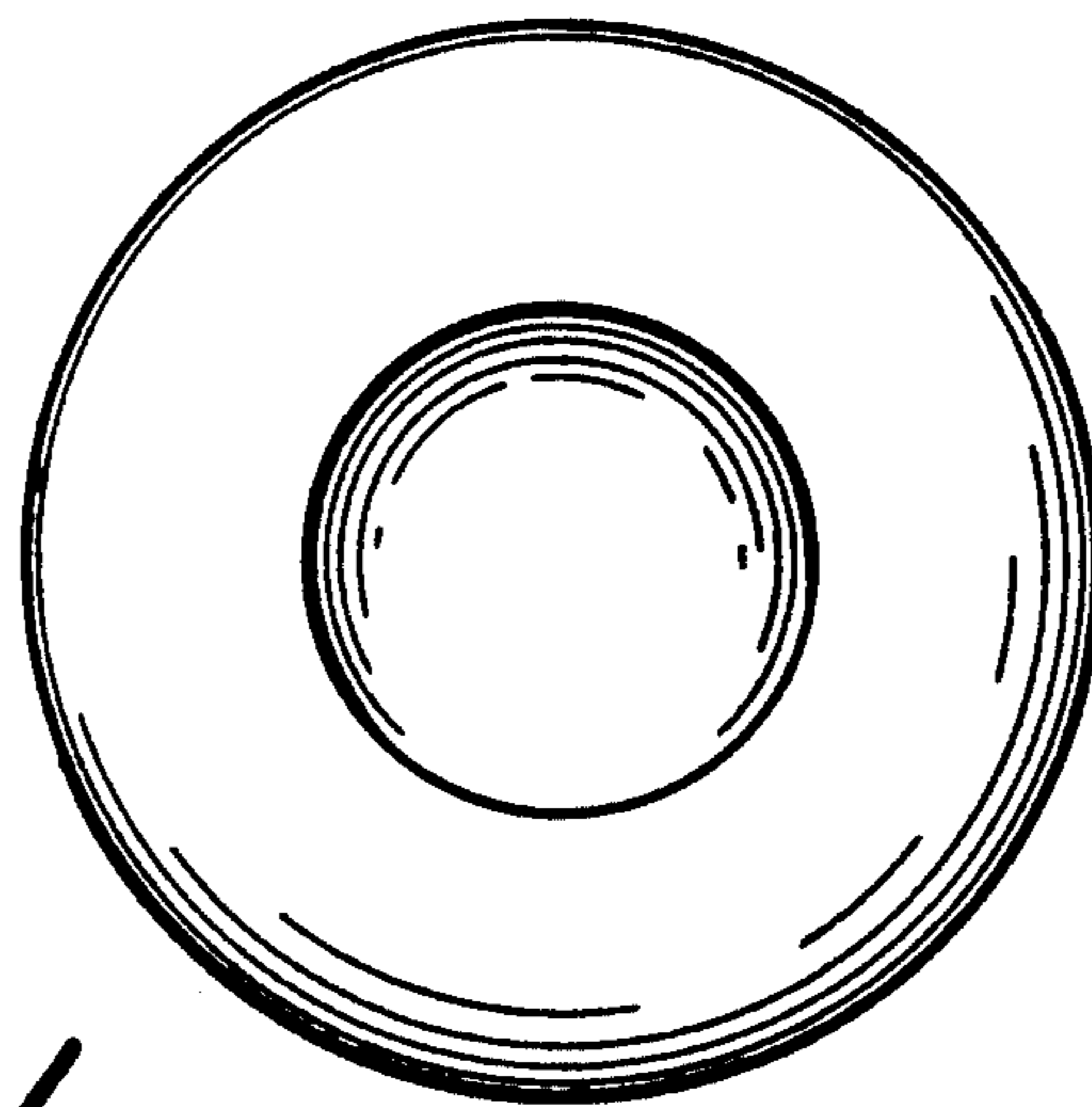


Fig. 4