



US00D329602S

United States Patent [19] Cochrane

[11] Patent Number: **Des. 329,602**

[45] Date of Patent: **** Sep. 22, 1992**

[54] **BOTTLE CLOSURE**

[76] Inventor: **Benjamin A. Cochrane**, 181 Sonora Ave., Danville, Calif. 94526

[**] Term: **14 Years**

[21] Appl. No.: **368,428**

[22] Filed: **Jun. 19, 1989**

[52] U.S. Cl. **D9/435; D9/454**

[58] Field of Search **D9/435, 445, 454; 215/324, 340, 353**

- 3,974,929 8/1976 Montgomery .
- 3,974,982 8/1976 Faulstich .
- 3,976,217 8/1976 Dukess .
- 3,980,588 1/1976 Couraut .
- 3,994,409 11/1976 Nightengale .
- 4,013,188 3/1977 Ray .
- 4,024,976 5/1977 Acton .
- 4,032,029 6/1977 Cochrane .
- 4,121,728 10/1978 Tagalakis .
- 4,149,547 4/1979 Ritzenhoff .
- 4,153,174 5/1979 Keeler .
- 4,166,552 9/1979 Faulstich .
- 4,295,573 10/1981 Terry .
- 4,299,921 11/1981 Youssef .
- 4,335,824 6/1982 Bush .
- 4,387,818 6/1983 Conti .
- 4,391,383 7/1983 Babiol .
- 4,437,593 3/1984 Bullock .
- 4,438,857 3/1984 Bullock .
- 4,531,550 7/1985 Friendship .

[56] **References Cited**

U.S. PATENT DOCUMENTS

- D. 289,143 4/1987 Guillaume D9/445
- 833,116 10/1906 Bell 215/324
- 1,657,772 1/1928 Warth .
- 2,149,533 3/1939 Mcmanus .
- 2,389,761 11/1945 Burgeni .
- 2,411,012 11/1946 Wallach .
- 2,444,978 7/1948 Cooke .
- 2,620,939 12/1952 Weisgerber .
- 2,906,421 9/1959 Jordanoff .
- 2,937,481 5/1960 Palmer .
- 3,186,572 6/1968 McKnight .
- 3,235,117 2/1966 Mason .
- 3,258,148 6/1966 Unger .
- 3,347,407 10/1967 Coolidge, Jr. .
- 3,411,650 11/1968 Mumford .
- 3,489,307 1/1970 Wenger .
- 3,606,063 9/1971 Childs .
- 3,661,289 5/1972 Segmuller .
- 3,720,343 3/1973 Irish .
- 3,786,954 1/1974 Shull .
- 3,812,994 5/1974 Feldman .
- 3,856,171 12/1974 Rossi .
- 3,856,845 2/1975 Keeler et al. .
- 3,861,549 1/1975 Watson et al. .
- 3,871,545 3/1975 Berezait .
- 3,896,959 7/1975 Roy .
- 3,920,503 11/1975 Keeler .
- 3,953,845 6/1976 Dukess .

FOREIGN PATENT DOCUMENTS

- 1137029 12/1982 Canada .
- 0060931 10/1981 European Pat. Off. .
- 2000584 9/1969 France .
- 955276 4/1984 United Kingdom .

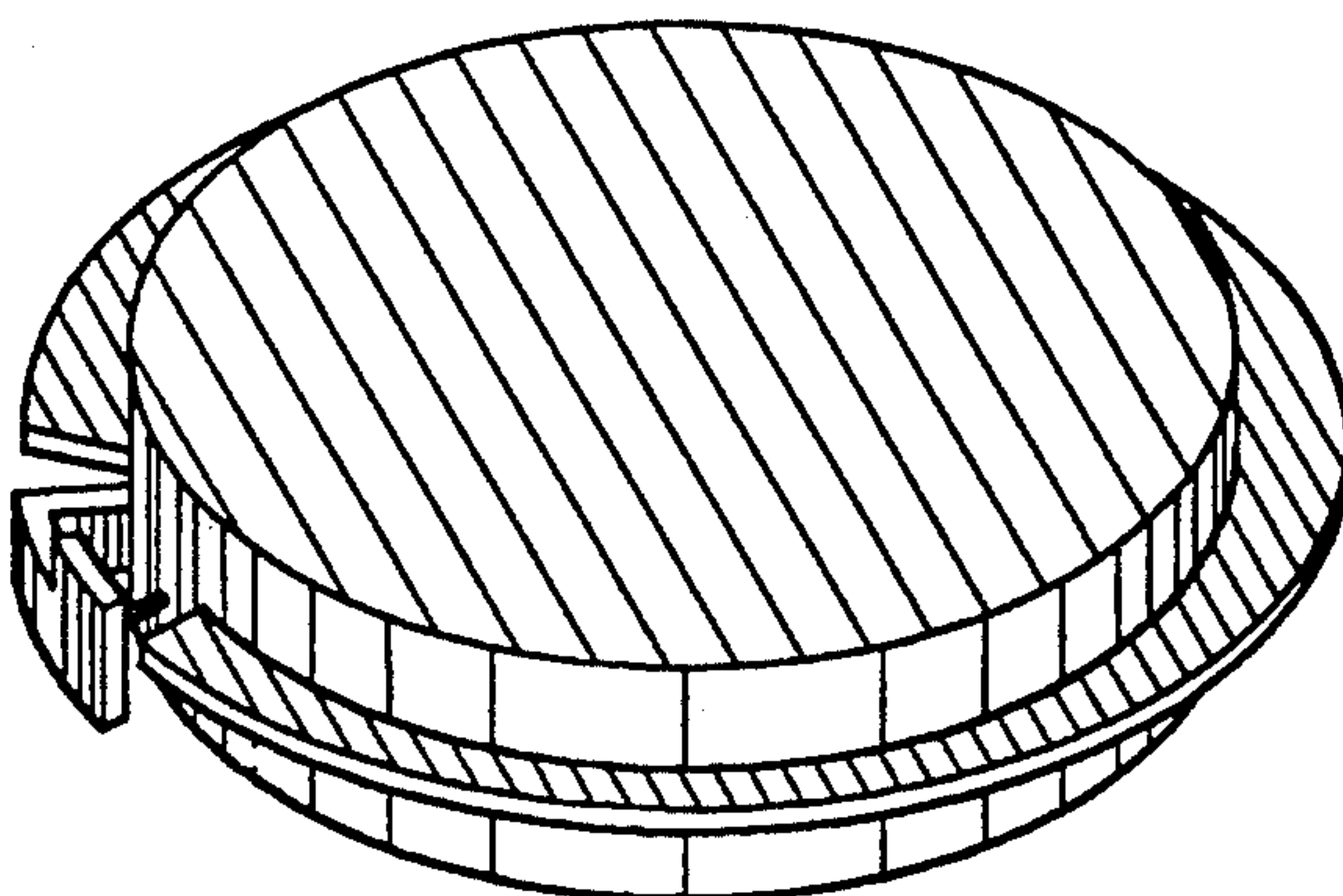
Primary Examiner—Bernard Ansher
Assistant Examiner—Dominic Simone
Attorney, Agent, or Firm—Plante, Strauss & Vanderburgh

[57] **CLAIM**

The ornamental design for a bottle closure, as shown and described.

DESCRIPTION

FIG. 1 is a top perspective view of the bottle closure showing my new design;
FIG. 2 is a left side elevational view thereof;
FIG. 3 is a front elevational view thereof;
FIG. 4 is a right side elevational view thereof;
FIG. 5 is a top plan view thereof; and,
FIG. 6 is a bottom plan view thereof.



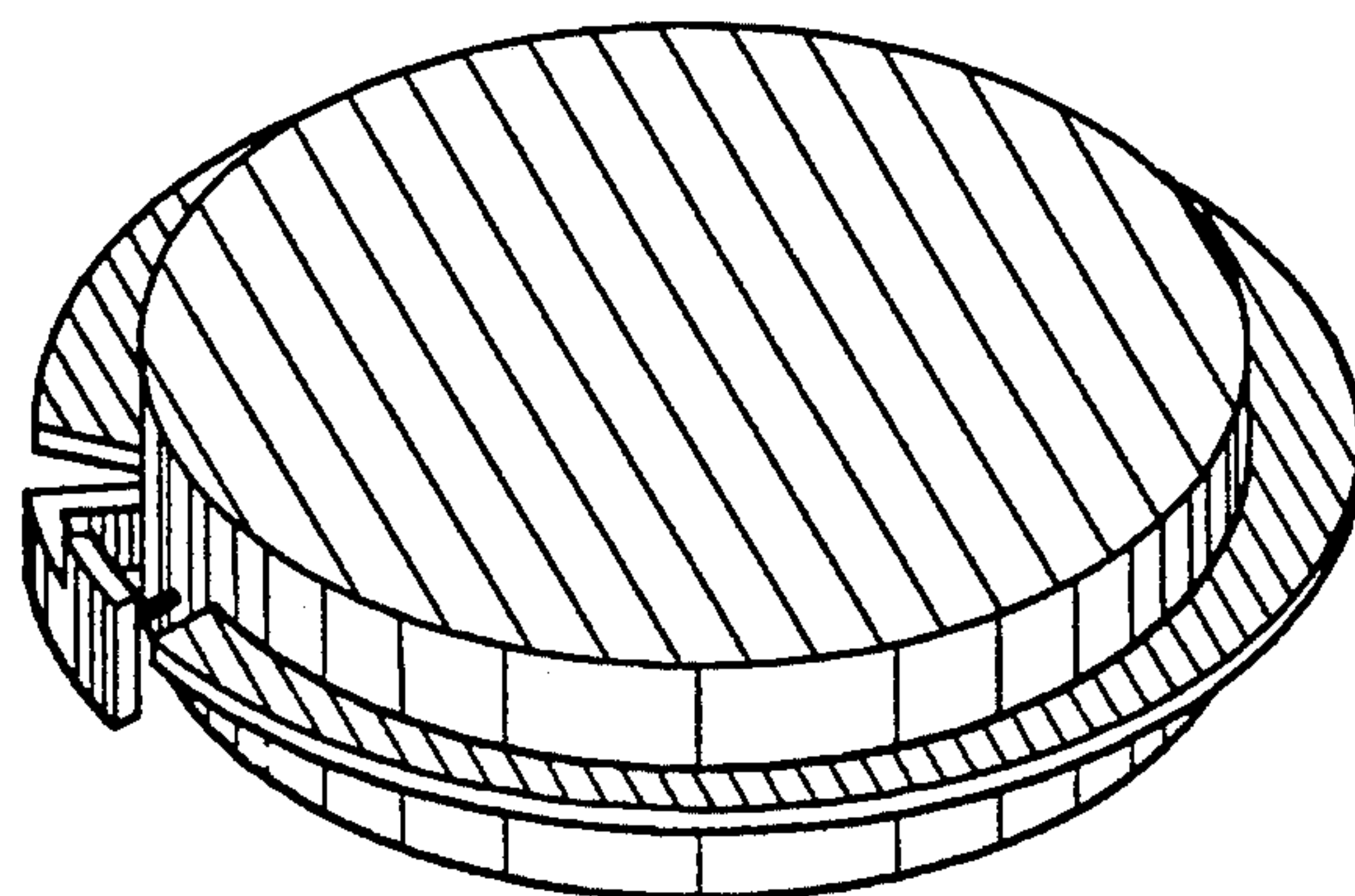


FIGURE 1

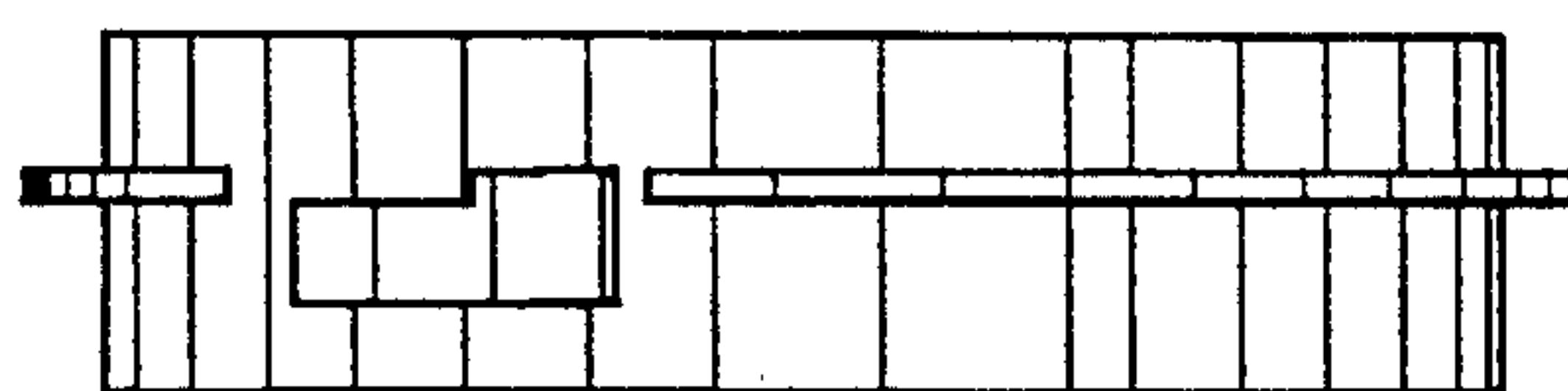


FIGURE 2

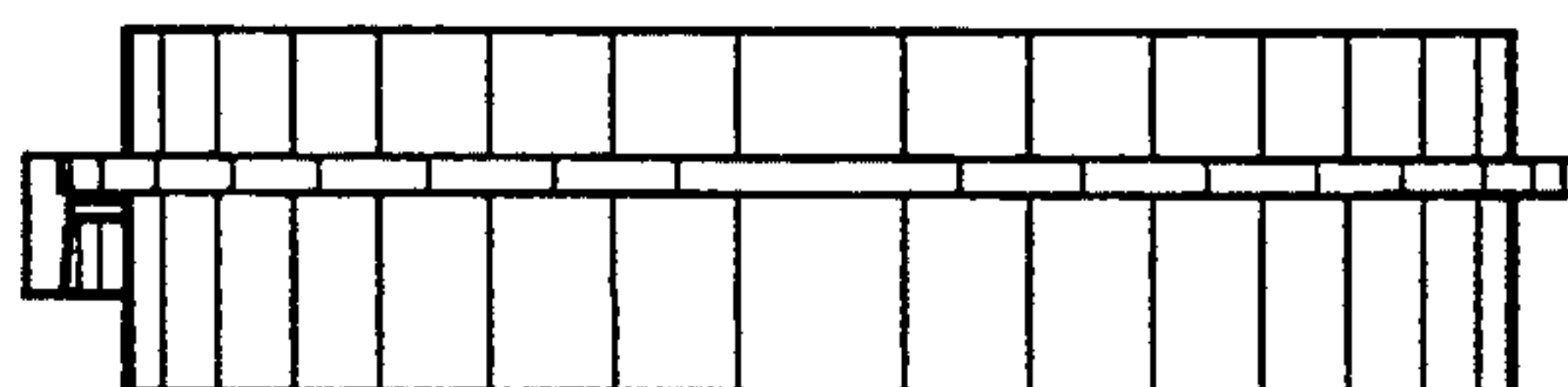
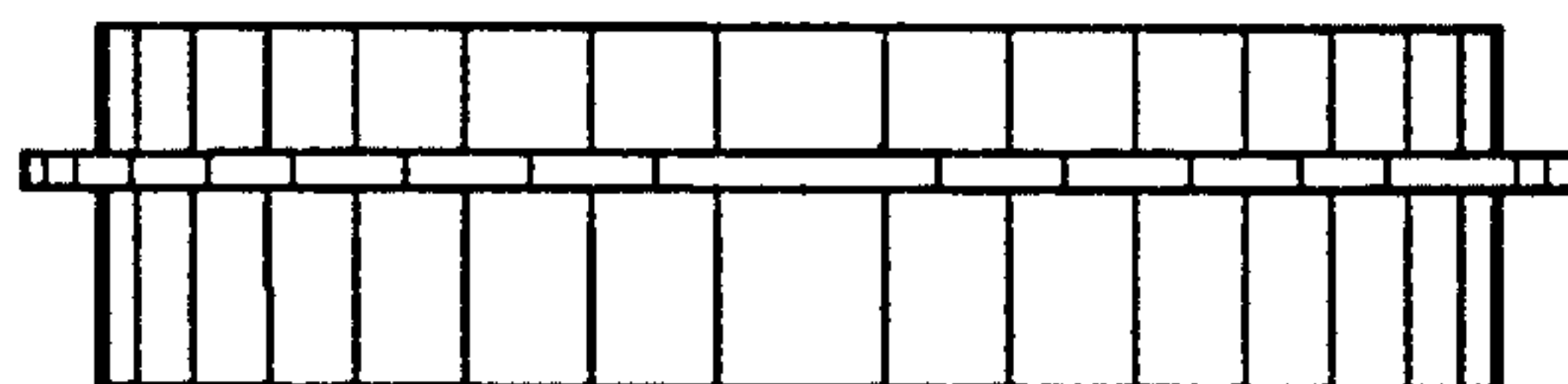


FIGURE 3

FIGURE 4



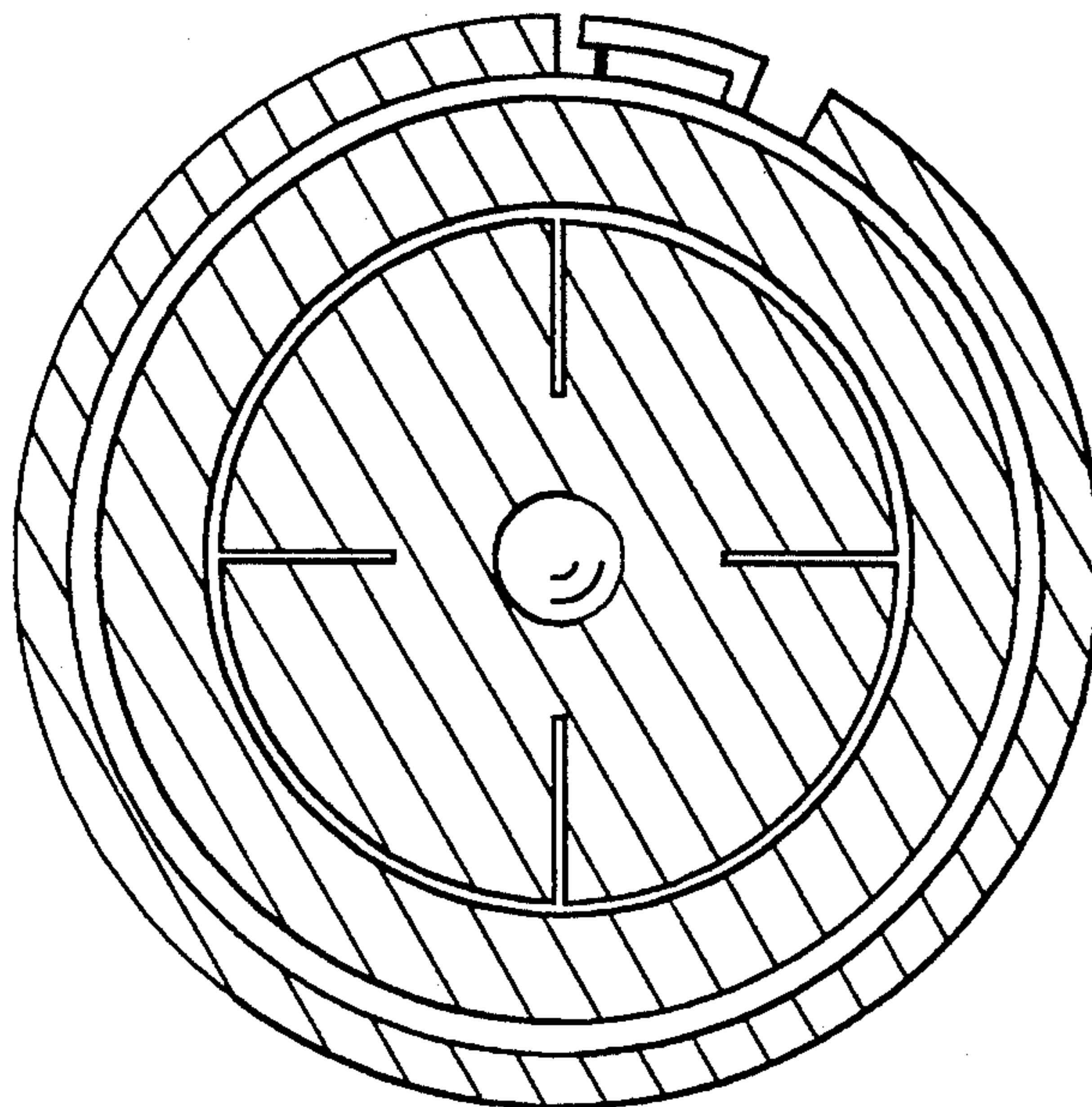


FIGURE 5

FIGURE 6

