



US00D329601S

# United States Patent [19]

[11] Patent Number: Des. 329,601

Samelson

[45] Date of Patent: \*\* Sep. 22, 1992

[54] DISPLAY PACKAGE FOR BATH ACCESSORIES

[75] Inventor: Samuel Samelson, Goldsboro, N.C.

[73] Assignee: Ex-Cell Home Fashions, Inc., New York, N.Y.

2,038,319	4/1936	Stantey	206/823 X
3,595,382	7/1971	Hofer	229/162 X
4,422,546	12/1983	Chrity	206/563 X
4,739,353	4/1988	Heuer et al.	206/45.31 X
4,925,033	5/1990	Stoner	206/581
4,979,525	12/1990	Chiou	206/581 X
5,025,928	6/1991	Orosy et al.	206/581

[\*\*] Term: 14 Years

*Primary Examiner*—Bernard Ansher  
*Assistant Examiner*—Prabhakar Deshmukh  
*Attorney, Agent, or Firm*—James & Franklin

[21] Appl. No.: 611,007

[22] Filed: Nov. 8, 1990

[52] U.S. Cl. .... D9/418; D9/341

[58] Field of Search ..... D9/418, 415, 432, 341, D9/337, 346; D3/39, 30.1, 74; D28/83, 73, 76; 206/581, 235, 823, 45.31, 45.34, 45.19, 216; 229/162; D6/524

### [57] CLAIM

The ornamental design for a display package for bath accessories, as shown and described.

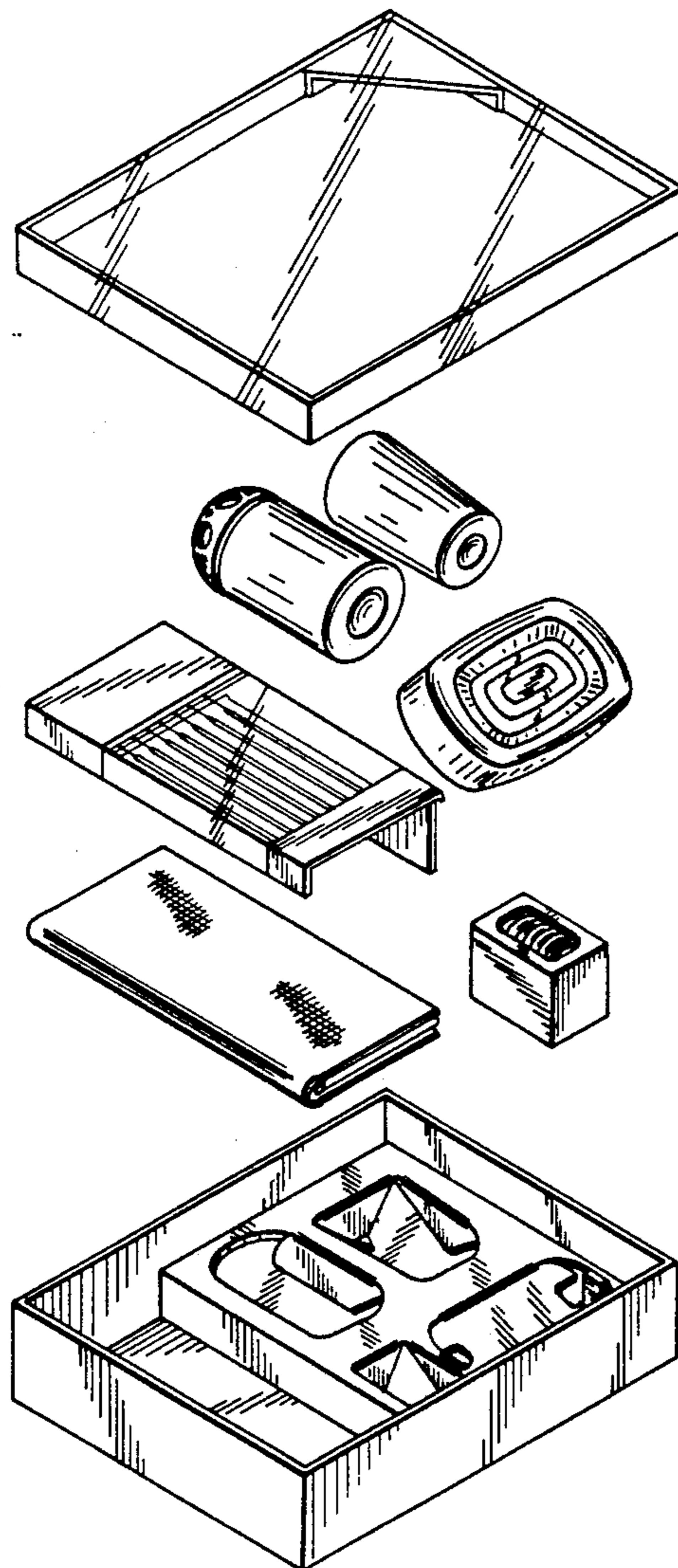
### DESCRIPTION

FIG. 1 is a top perspective view of a display package for bath accessories showing my new design;  
 FIG. 2 is a top perspective view thereof; showing undisclosed sides in FIG. 1; and,  
 FIG. 3 is an exploded perspective view thereof.  
 The bottom surface is plain and unornamented.

### [56] References Cited

#### U.S. PATENT DOCUMENTS

D. 281,929	12/1985	Strobel et al.	D3/39
D. 285,617	9/1986	Stillwagon	D28/83



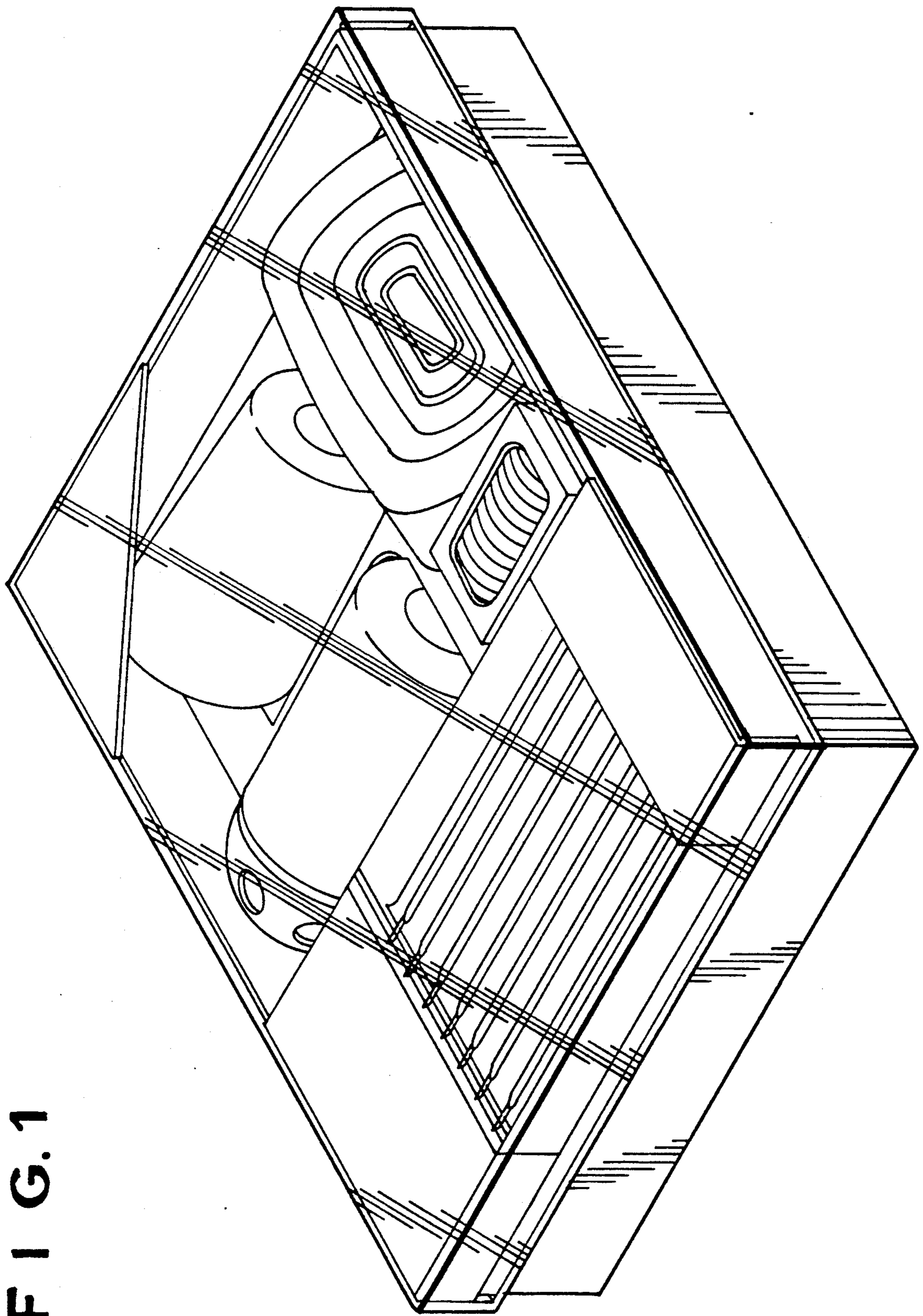


FIG. 1

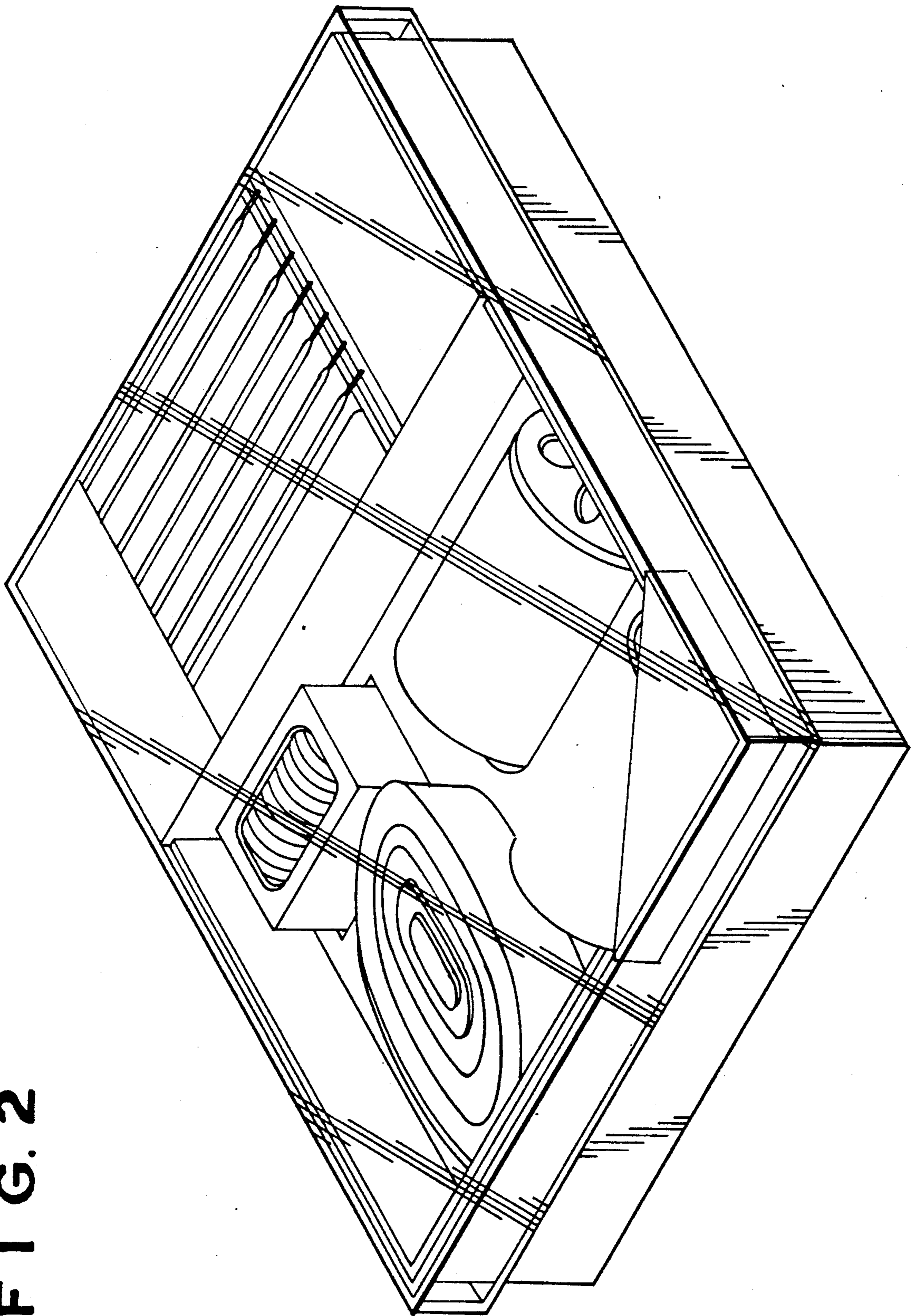


FIG. 2

FIG. 3

