



US00D329600S

United States Patent [19]

[11] Patent Number: Des. 329,600

LaJoie

[45] Date of Patent: ** Sep. 22, 1992

[54] CLAM SHELL PACKAGE

D. 321,323 11/1991 Nakamura D9/415
3,428,171 2/1969 Blish 206/469

[75] Inventor: Aldran H. LaJoie, Mission Viejo, Calif.

Primary Examiner—Bernard Ansher
Assistant Examiner—Prabhakar Deshmukh
Attorney, Agent, or Firm—Lyon & Lyon

[73] Assignee: Cosmar Corporation, Huntington Beach, Calif.

[57] CLAIM

[**] Term: 14 Years

The ornamental design for a clam shell package, as shown and described.

[21] Appl. No.: 523,651

DESCRIPTION

[22] Filed: May 15, 1990

[52] U.S. Cl. D9/418; D9/415; D9/341

FIG. 1 is a perspective view of a clam shell package showing my new design;

[58] Field of Search D9/415, 418, 457, 341, D9/345, 346, 347; 206/461-471, 45.31, 806

FIG. 2 is a sectional elevation thereof; taken along line 202 of FIG. 1;

[56] References Cited

U.S. PATENT DOCUMENTS

- D. 239,436 4/1976 Williams D9/415
- D. 305,408 1/1990 Lajoie D9/415
- D. 307,554 5/1990 McAlister Sr. D9/415
- D. 311,683 10/1990 Diba et al. D9/415

FIG. 3 is a sectional elevation thereof; taken along line 3-3 of FIG. 2.;

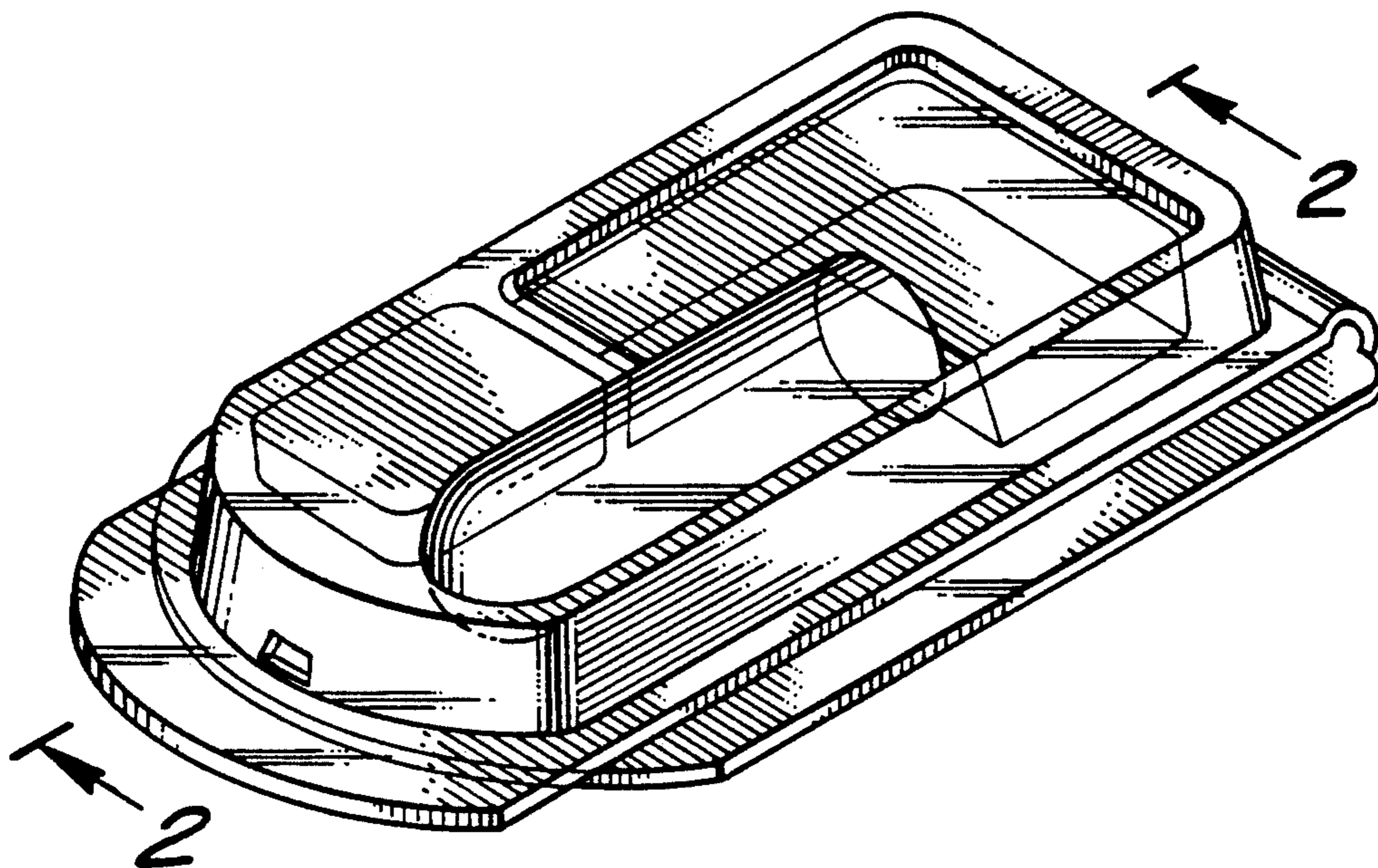
FIG. 4 is a top plan view thereof; in open position;

FIG. 5 is a bottom plan view of FIG. 4;

FIG. 6 is a front elevation of FIG. 4; the rear elevation being a mirror image;

FIG. 7 is a left side elevation of FIG. 4; and,

FIG. 8 is a right side elevation of FIG. 4.



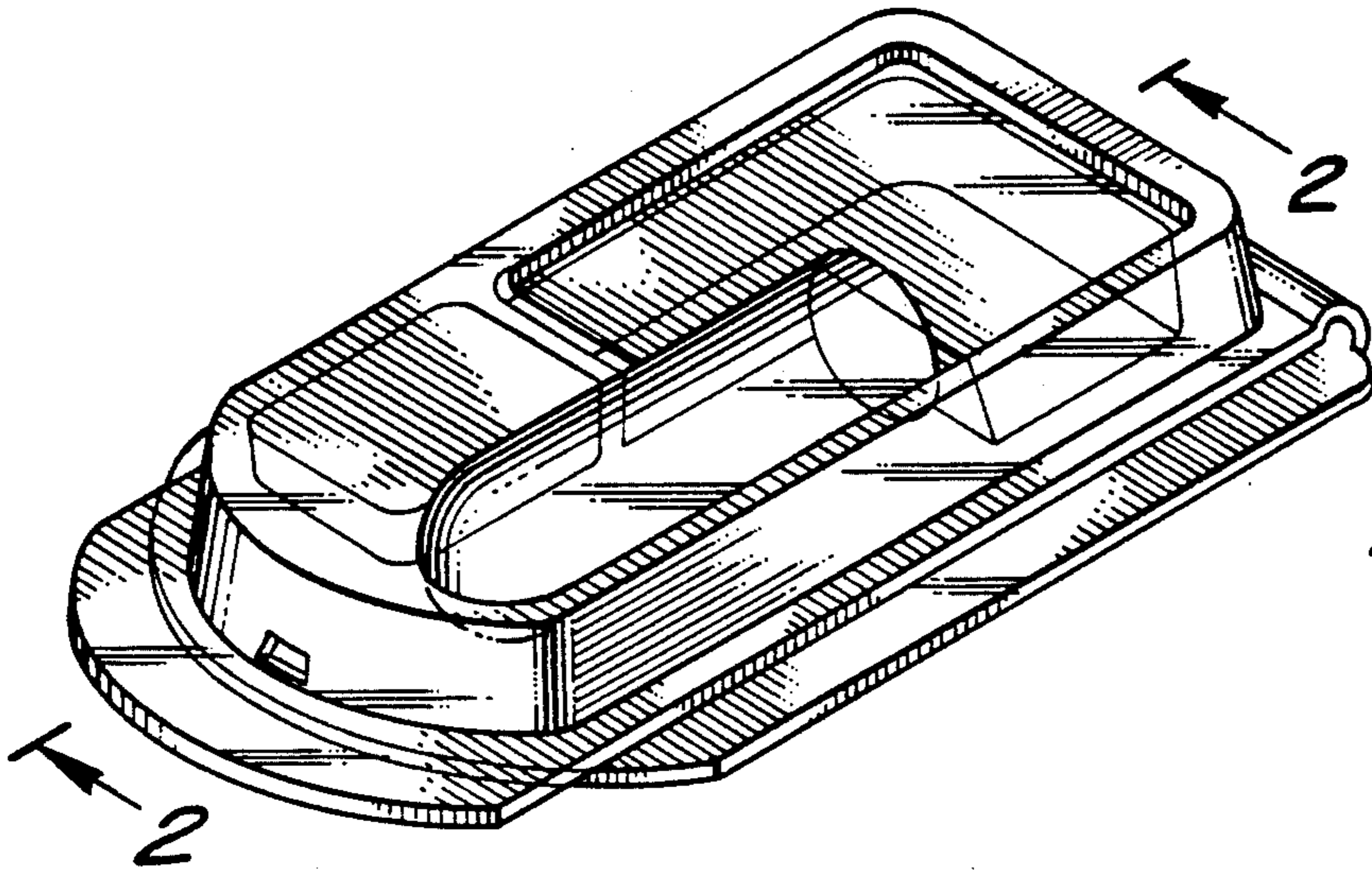


FIG. 1

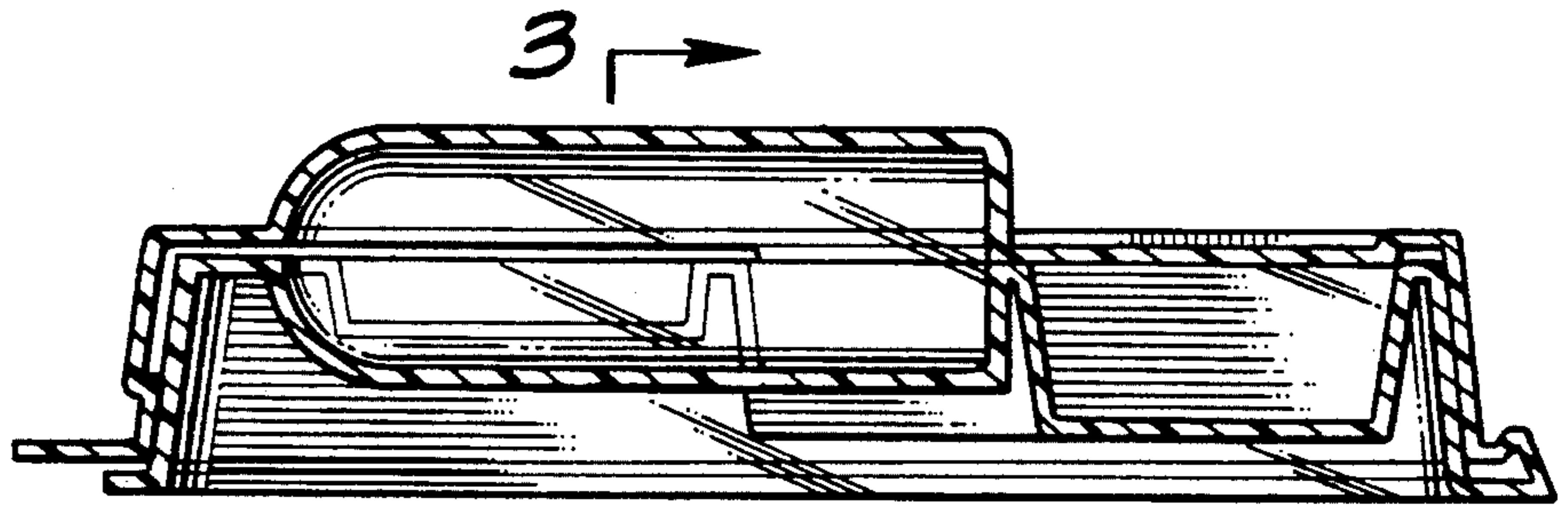


FIG. 2

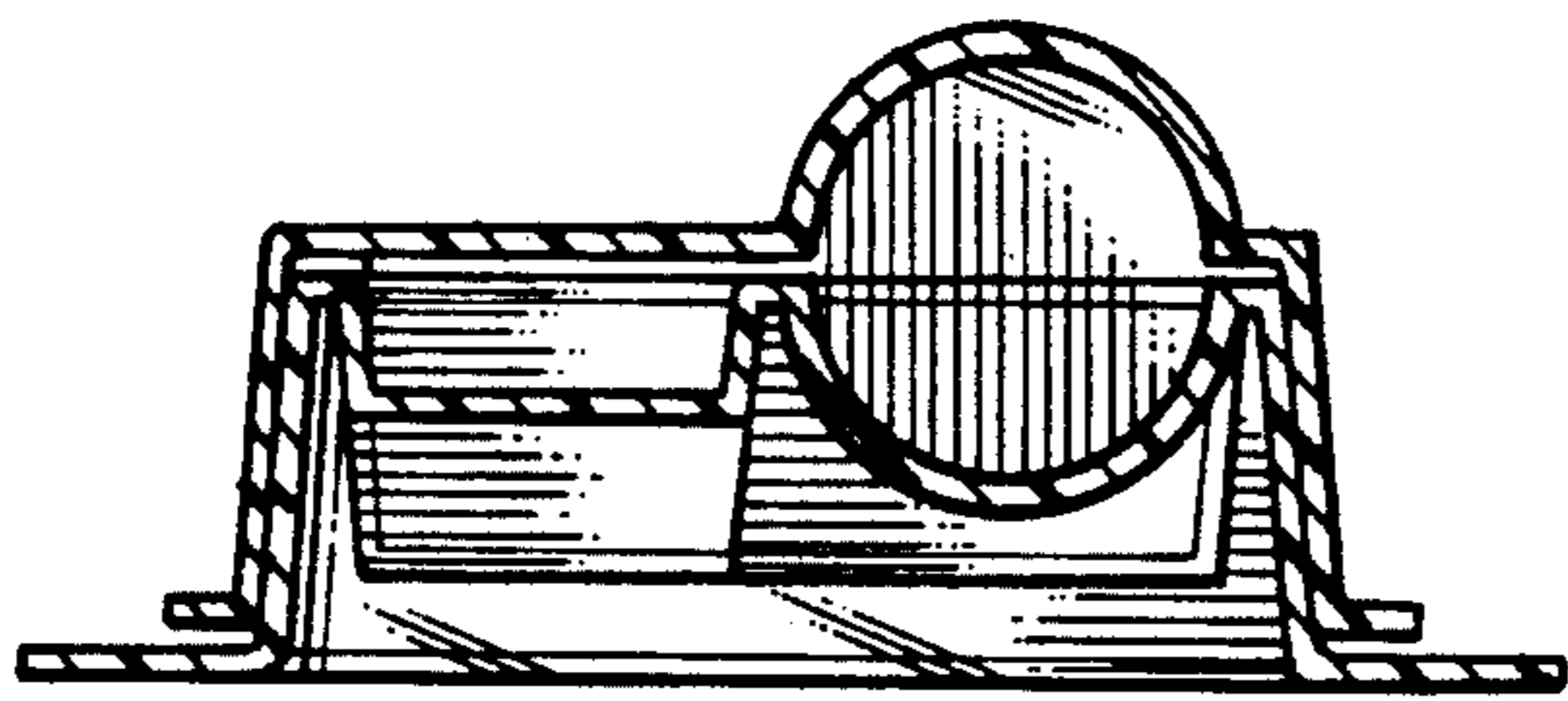


FIG. 3

FIG. 7

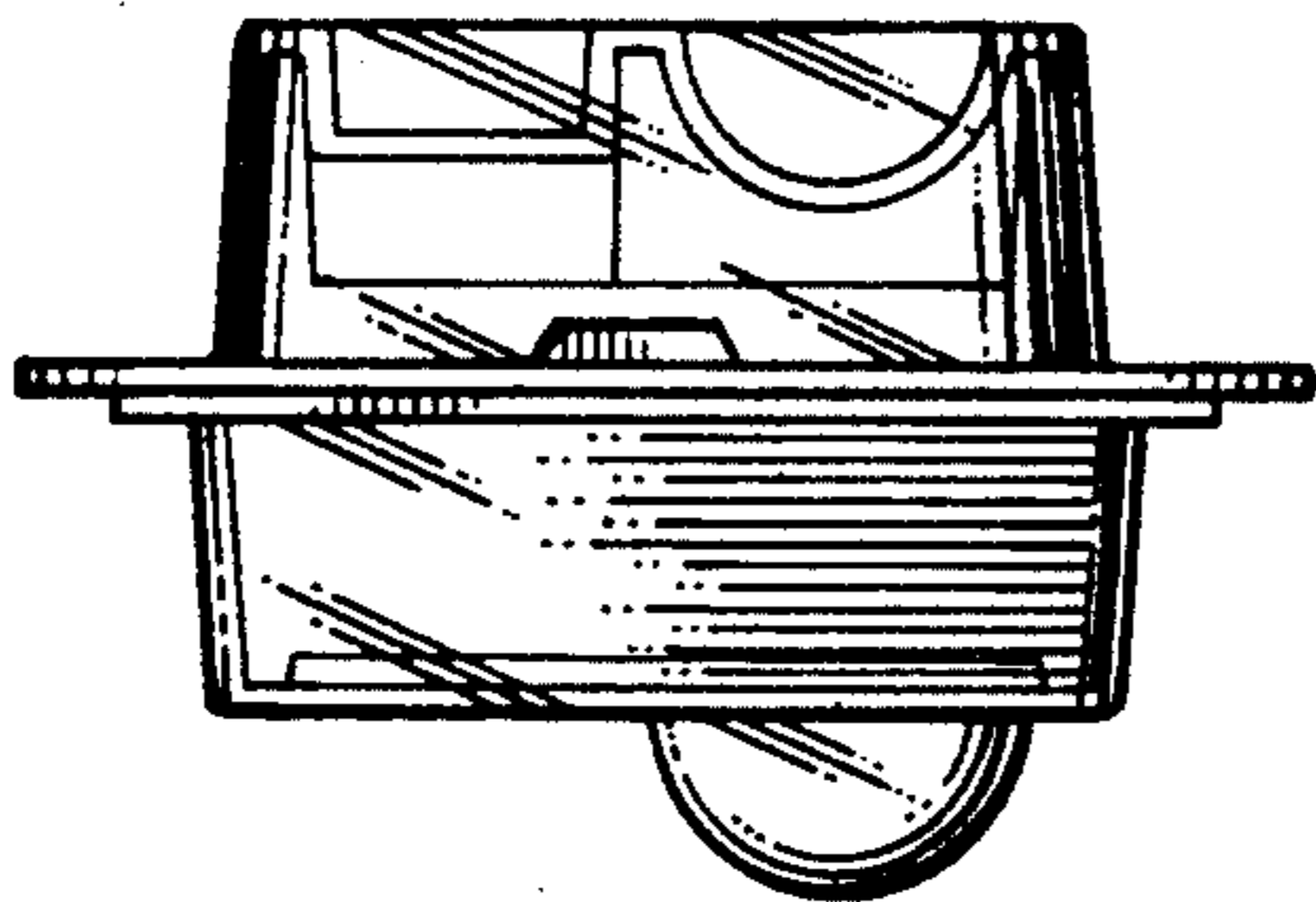


FIG. 8

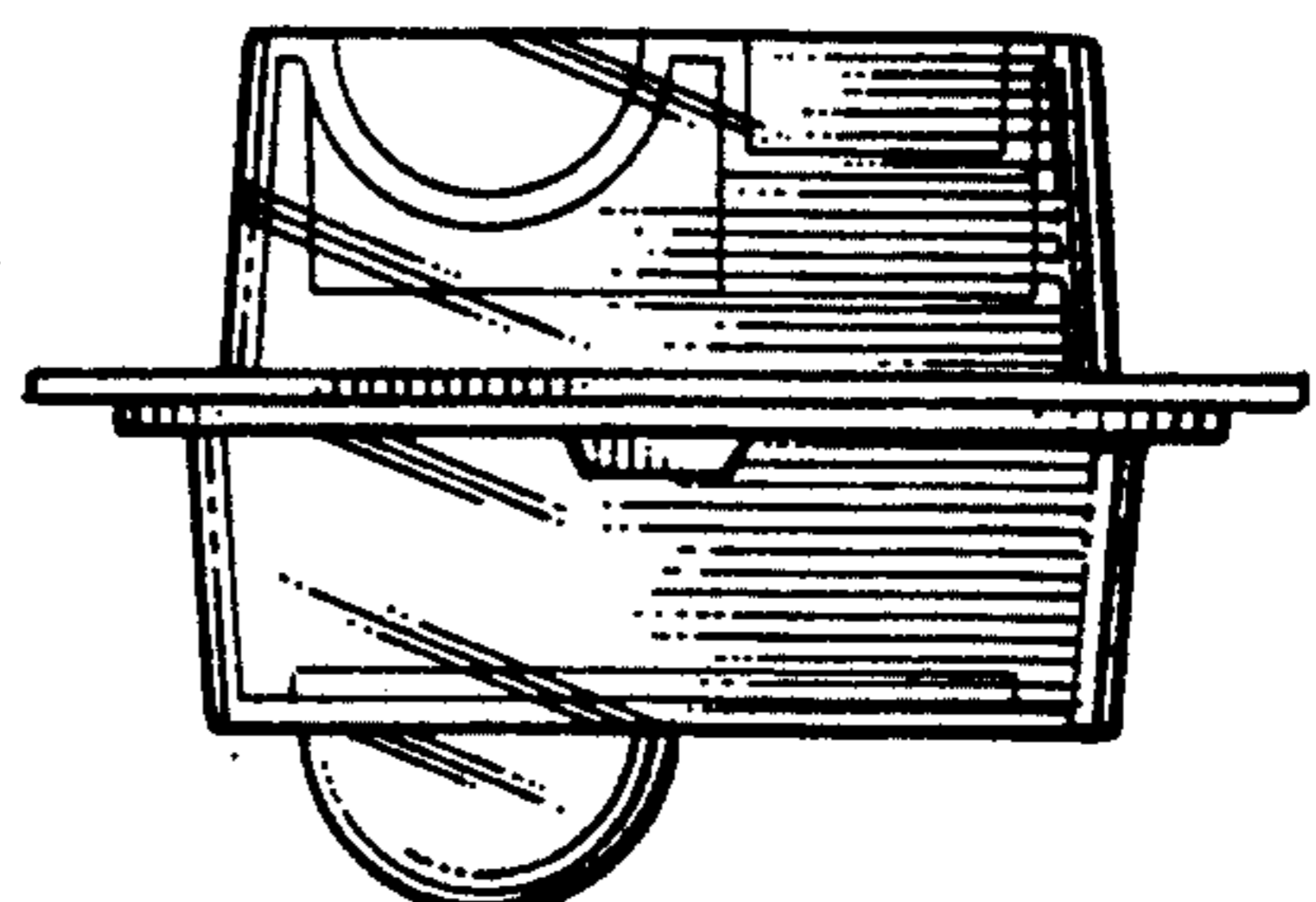


FIG. 4

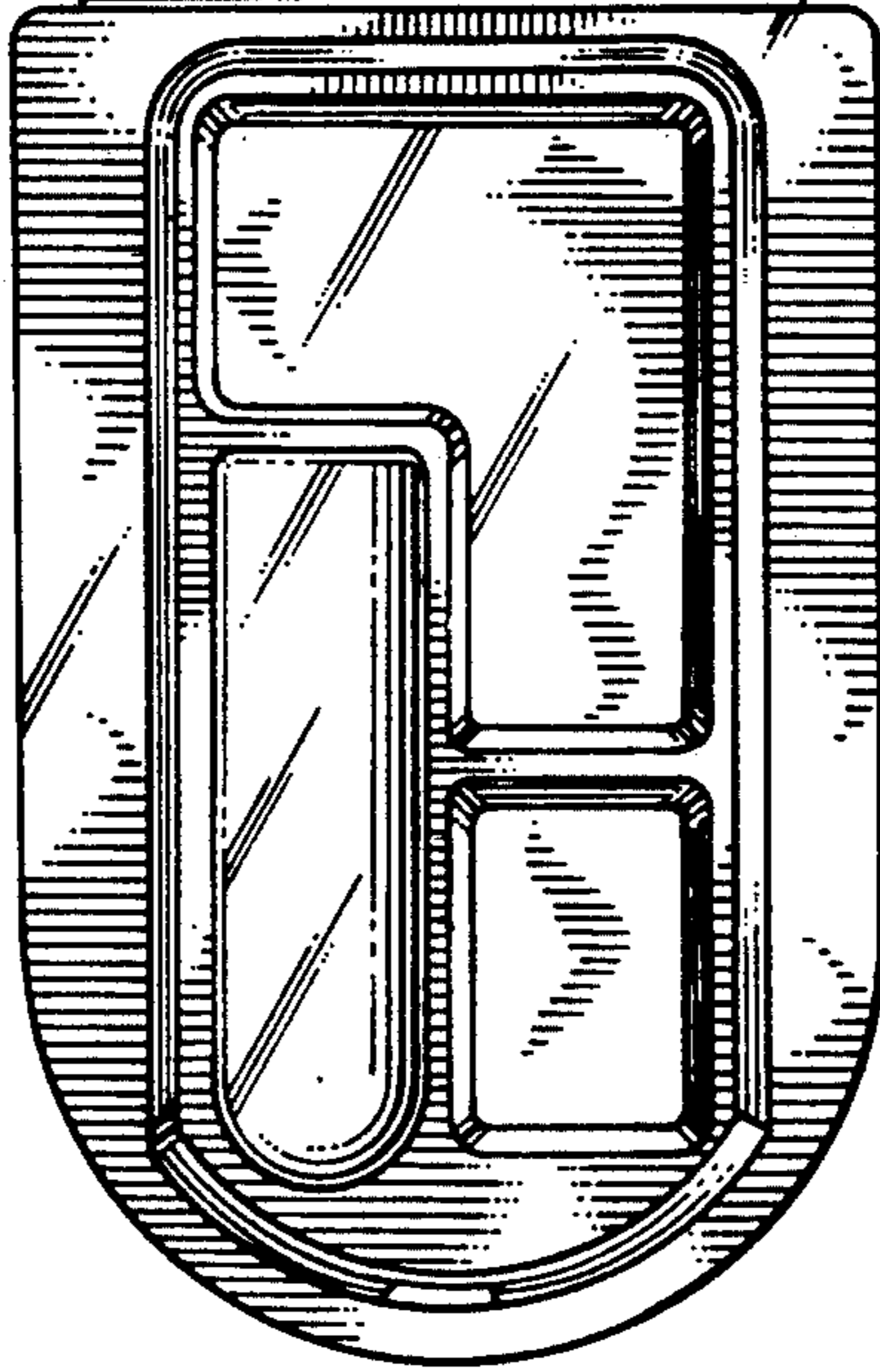
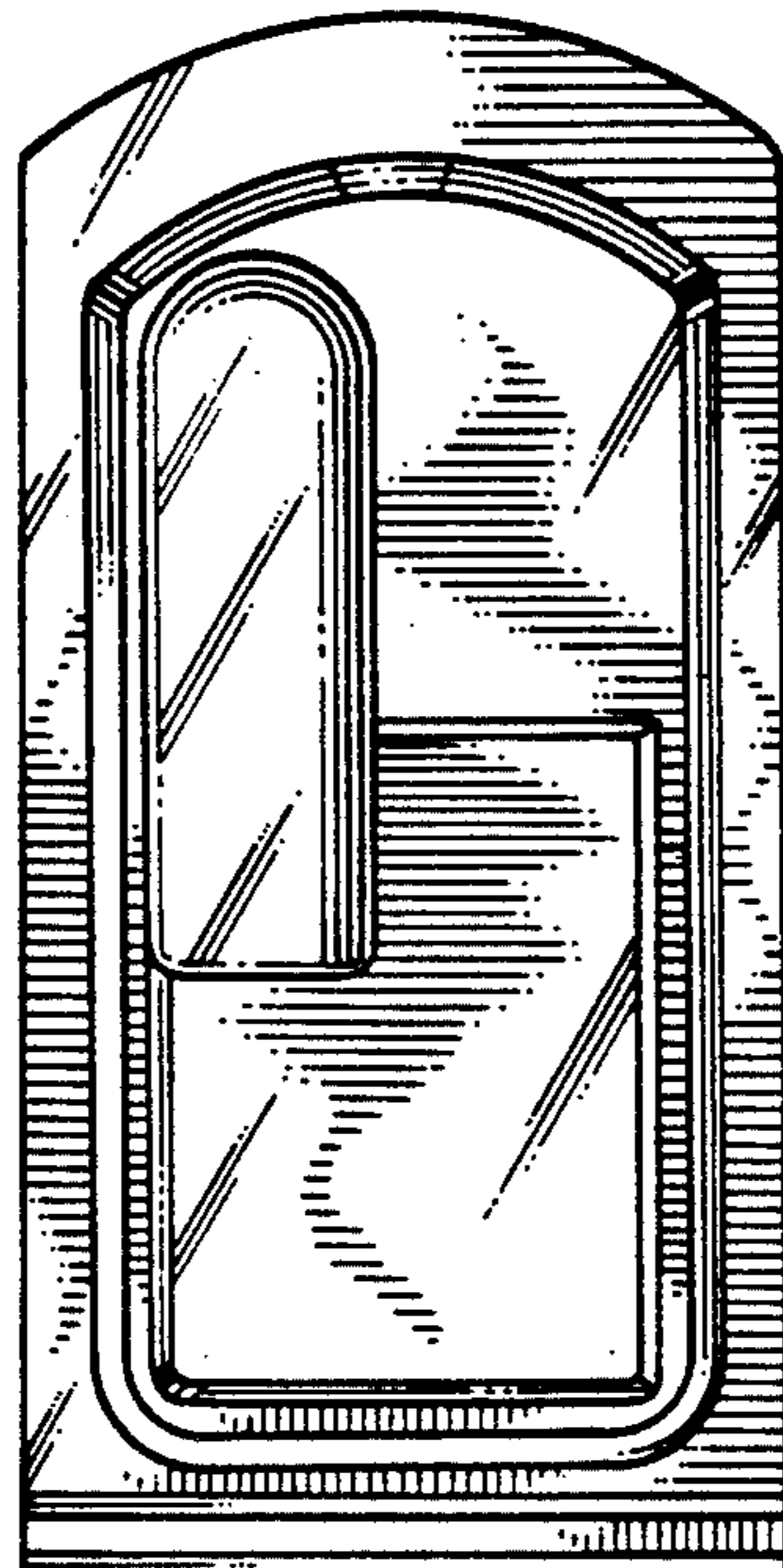
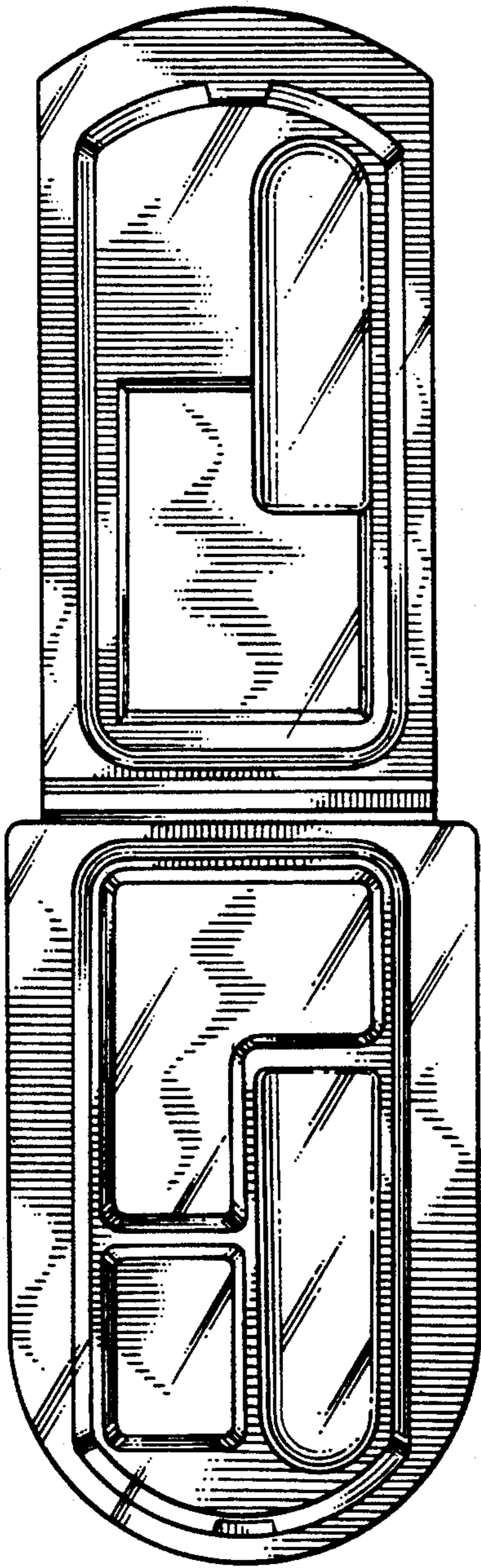


FIG. 5

FIG. 6

