



US00D329597S

United States Patent [19]

[11] Patent Number: **Des. 329,597**

Gallagher et al.

[45] Date of Patent: **** Sep. 22, 1992**

- [54] **COMBINED CAN AND CLOSURE**
- [75] Inventors: **Thomas A. Gallagher, Chagrin Falls, Ohio; Leon Patarini, Palos Hills; Paul Knowlton, Tinley Park, both of Ill.**
- [73] Assignee: **Van Dorn Company, Cleveland, Ohio**
- [**] Term: **14 Years**
- [21] Appl. No.: **341,051**
- [22] Filed: **Apr. 17, 1989**
- [52] U.S. Cl. **D9/532; D9/538; D9/454**
- [58] Field of Search **D9/352, 355, 379, 399; D34/39; 220/335, 336, 91, 600, 610, 615, 618, 660, 669, 670, 656, 658; 206/508; 229/4.5, 5.5, 5.6**

3,979,015	9/1976	Arfert	220/307
4,051,951	10/1977	Smith	206/508
4,054,229	10/1977	Arfert	220/228
4,079,857	3/1978	Crisci	220/306
4,083,468	4/1978	Batchelor	220/234
4,090,004	5/1978	Tebbutt et al.	428/64
4,141,463	2/1979	Smith	220/359
4,177,930	12/1979	Crisci	220/284
4,194,645	3/1980	Zabner et al.	220/306
4,220,254	9/1980	Morton	220/354
4,228,916	10/1980	Weingardt	220/354
4,256,240	3/1981	Woinarski	220/306
4,296,871	10/1981	Andersson	220/306
4,311,238	1/1982	Smith	206/508
4,334,631	6/1982	Ballester	220/306
4,344,546	8/1982	Dry	220/320
4,363,404	12/1982	Westphal	206/508
4,376,493	3/1983	Gall	220/307
4,380,304	4/1983	Anderson	220/306
4,386,715	6/1983	Morton	220/354
4,387,828	6/1983	Yates, Jr.	220/284
4,421,247	12/1983	Lombardo et al.	220/354
4,428,498	1/1984	Obey	220/367
4,429,805	2/1984	Letica	220/306
4,520,943	6/1985	Nielsen	220/281
4,632,272	12/1986	Berenfield et al.	220/324
4,676,392	6/1987	Giggard et al.	220/284
4,723,676	2/1988	Kobayashi et al.	215/301
4,723,681	2/1988	Glerum	220/72
4,846,366	7/1989	Satz	220/355
4,880,131	11/1989	Gallagher et al. .	

[56] **References Cited**
U.S. PATENT DOCUMENTS

D. 5,808	4/1872	Everett	D32/53 X
1,128,076	2/1915	Taliaferro	220/354
1,419,314	6/1922	Sexton	220/355
1,434,831	11/1922	Long	220/306
1,706,638	3/1929	Thomas	206/508 X
1,954,568	4/1934	Kenny	220/42
1,997,291	4/1935	Barroll	220/42
2,060,504	5/1935	Kjellstrom	220/42
3,056,525	10/1962	Deinert	220/21
3,142,433	7/1964	Balocca	229/51
3,170,590	2/1965	Ullman et al.	220/91
3,333,723	8/1967	Burdick, Jr.	220/60
3,343,711	9/1967	Godshalk	D9/452 X
3,383,006	5/1968	Knize	220/42
3,410,448	11/1968	Hudson	D9/352 X
3,553,419	1/1971	Garver et al.	219/80
3,613,938	10/1971	Westcott	220/44
3,721,365	3/1973	Saunders	220/47
3,732,909	5/1973	Rooke et al.	150/0.5
3,773,208	11/1973	Curry	220/43
3,804,289	4/1974	Churan	220/60 R
3,809,284	5/1974	Churan	220/60
3,814,277	6/1974	La Croce et al.	220/42 C
3,858,756	1/1975	Fulton	220/306
3,878,963	4/1975	Knize	220/66
3,883,036	5/1975	Mahaffy et al.	220/306
3,944,115	3/1976	Moonan et al.	220/355
3,949,877	4/1976	Santoni	206/508 X
3,954,178	5/1976	Mason, Jr.	206/508

FOREIGN PATENT DOCUMENTS

546674	3/1974	Switzerland .
2119343	3/1982	United Kingdom .

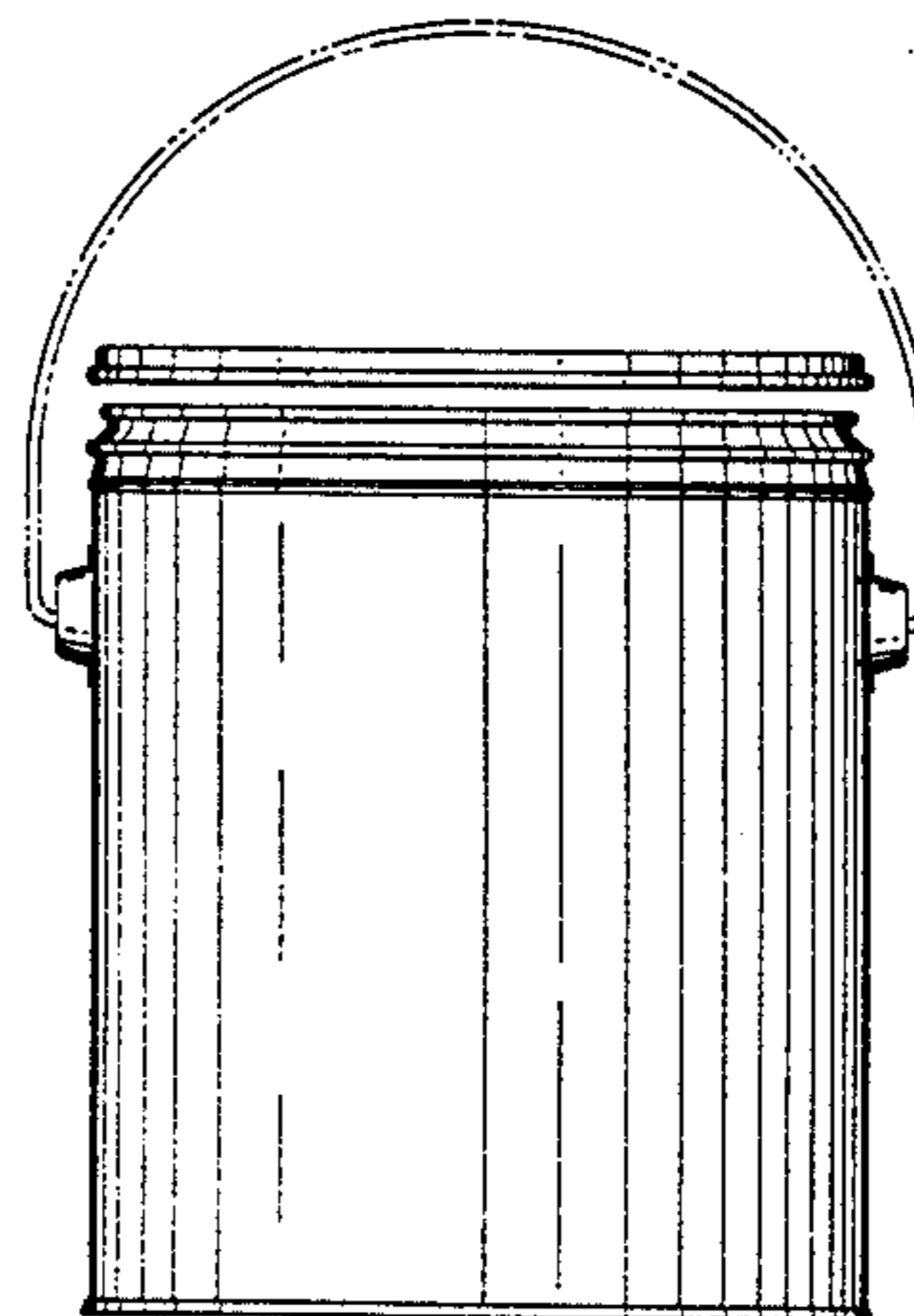
OTHER PUBLICATIONS

Drug & Cosmetic Catalog 1983 p. 23: can far left, top.

Primary Examiner—Bernard Ansher
Assistant Examiner—C. Tuttle
Attorney, Agent, or Firm—Body, Vickers & Daniels

[57] **CLAIM**

The ornamental design for a combined can and closure, as shown and described.



DESCRIPTION

FIG. 1 is an exploded side elevational view of a combined can and closure showing our new design;

FIG. 2 is a top plan view shown with the cover removed for clarity of illustration;

FIG. 3 is a fragmentary sectional view taken on the line 3—3 of FIG. 2;

FIG. 4 is a fragmentary top perspective view shown with the cover portion omitted;

FIG. 5 is a fragmentary side elevational view shown with the cover in place; and,

FIG. 6 is an exploded perspective view thereof.

The broken line showing of the bail handle in FIGS. 1 and 3 is for illustrative purposes only and forms no part of the claimed design.

The characteristic feature of the design resides in the configuration of the upper wall portion, in combination with the can and lid.

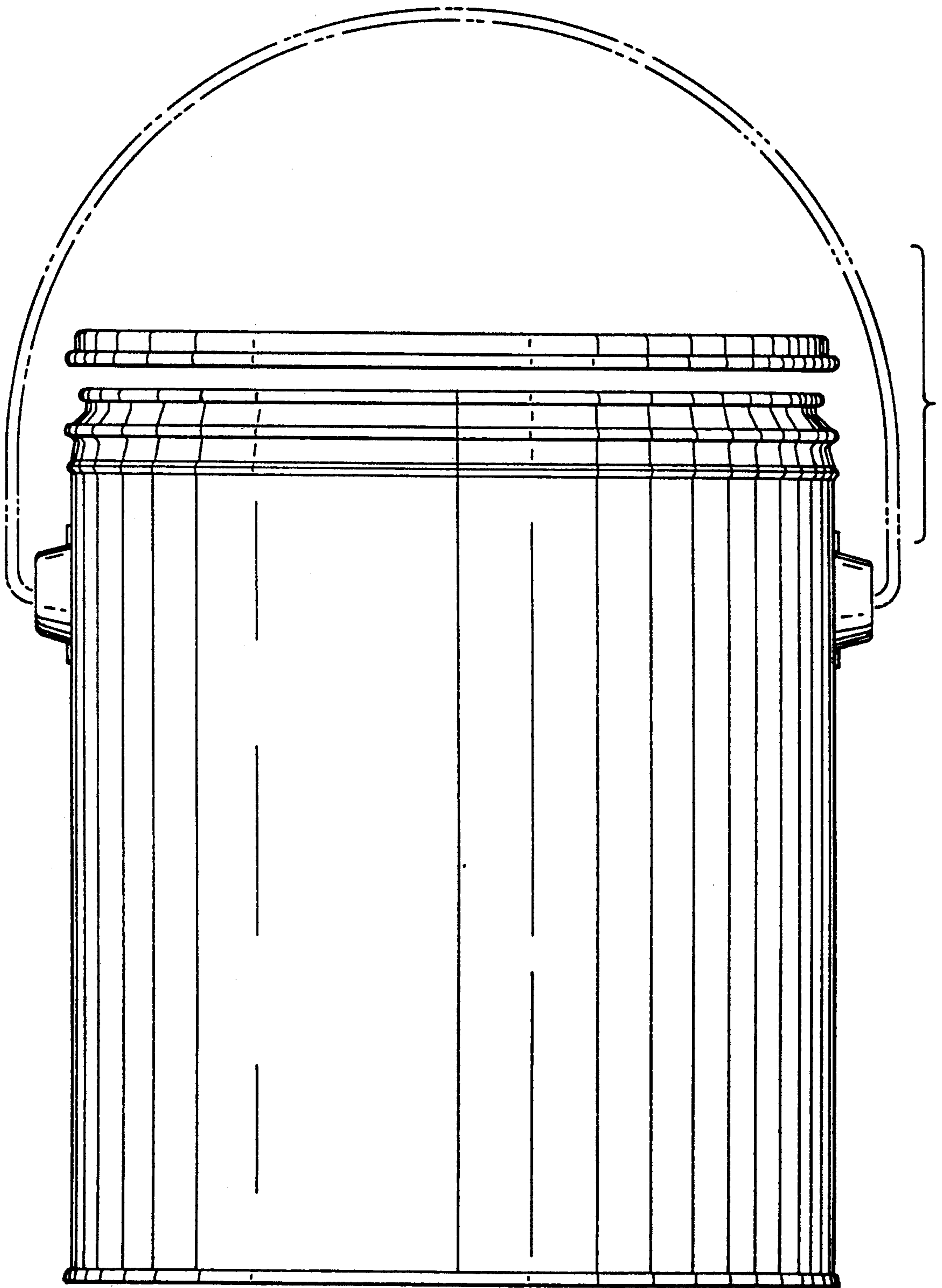
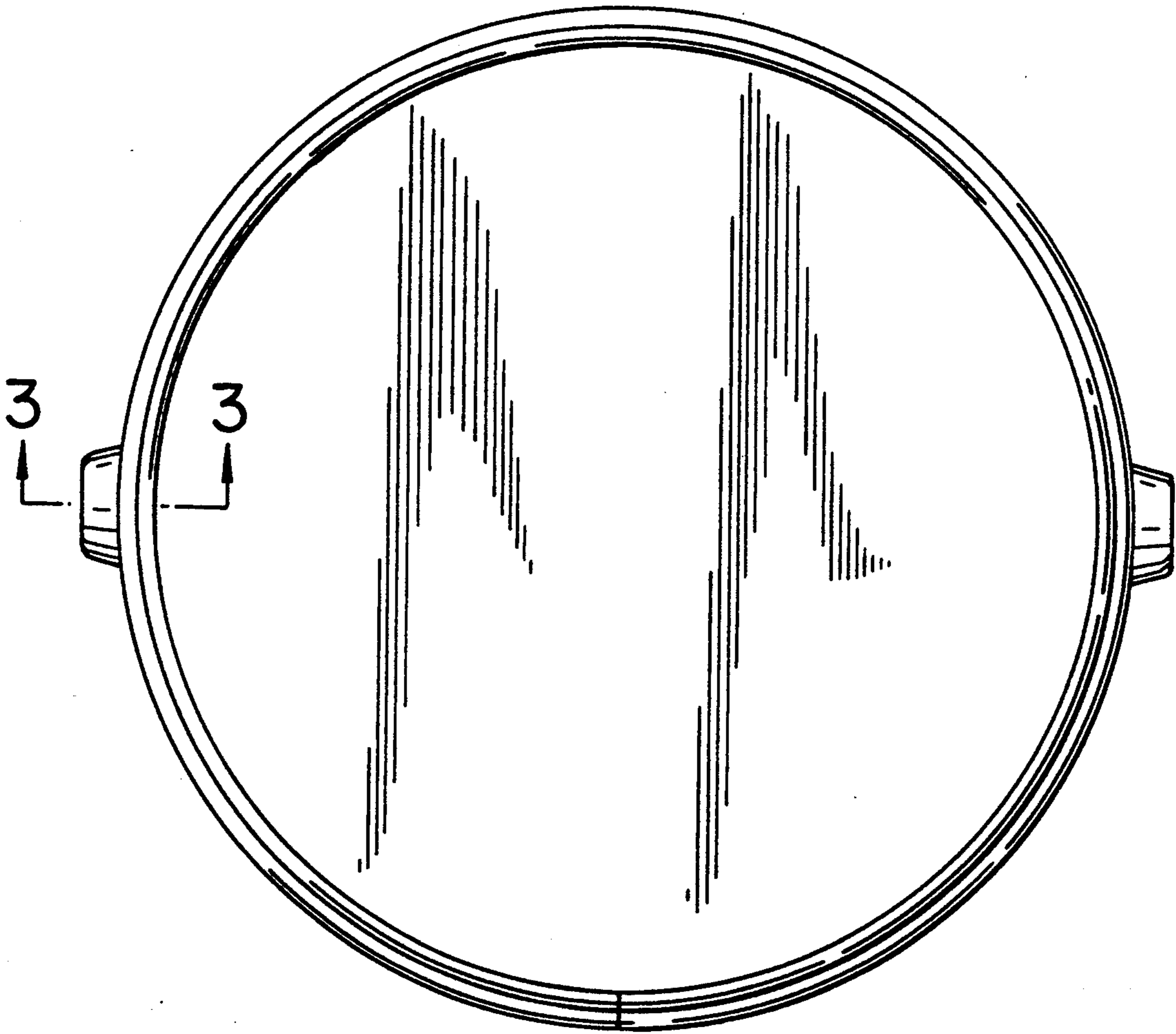


FIG. 1

FIG. 2



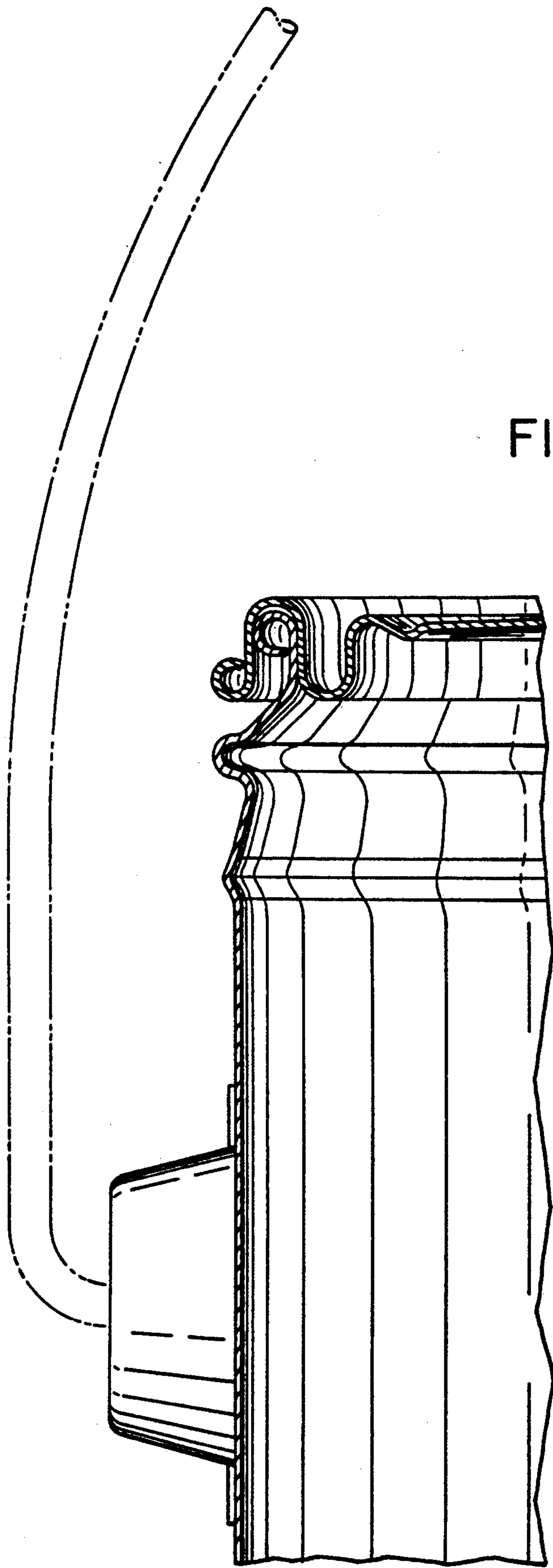


FIG. 3

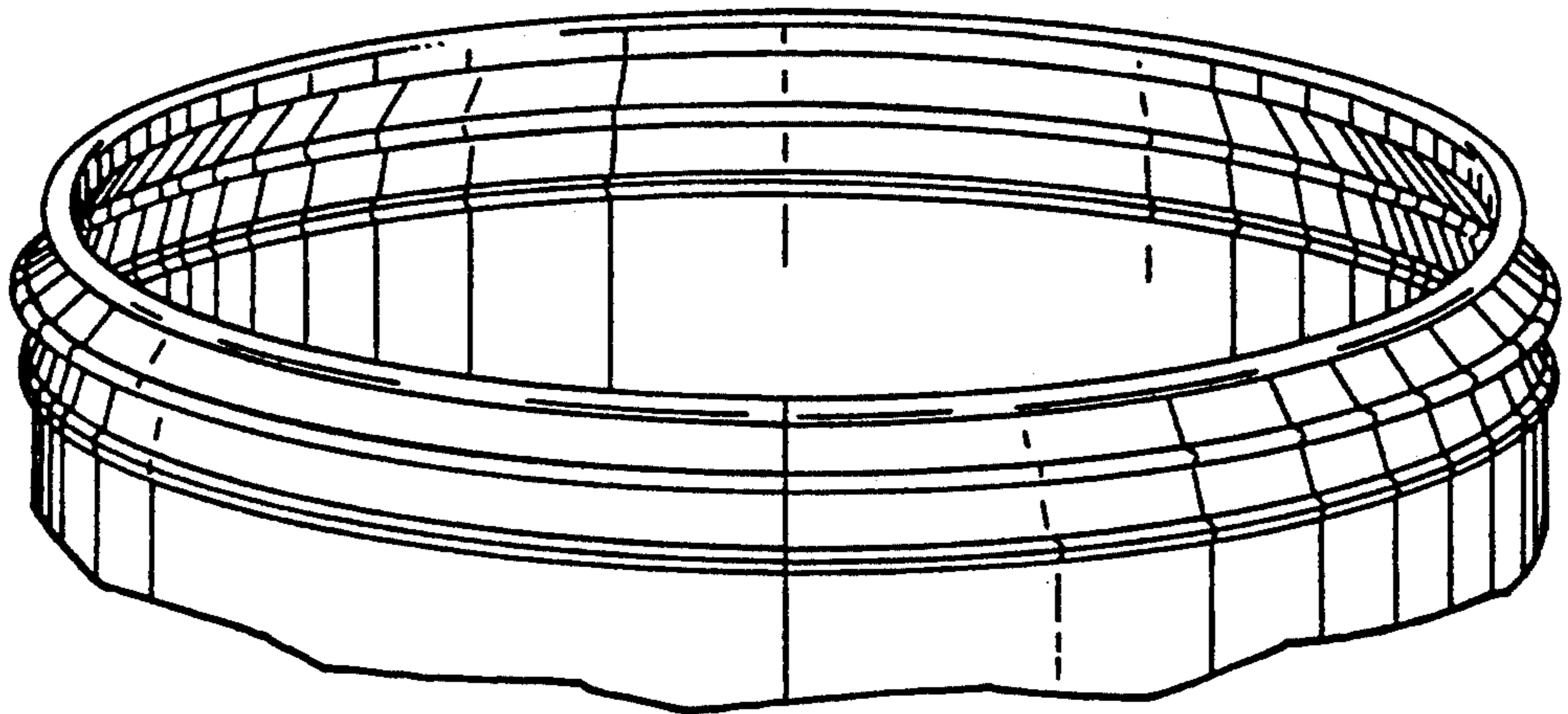
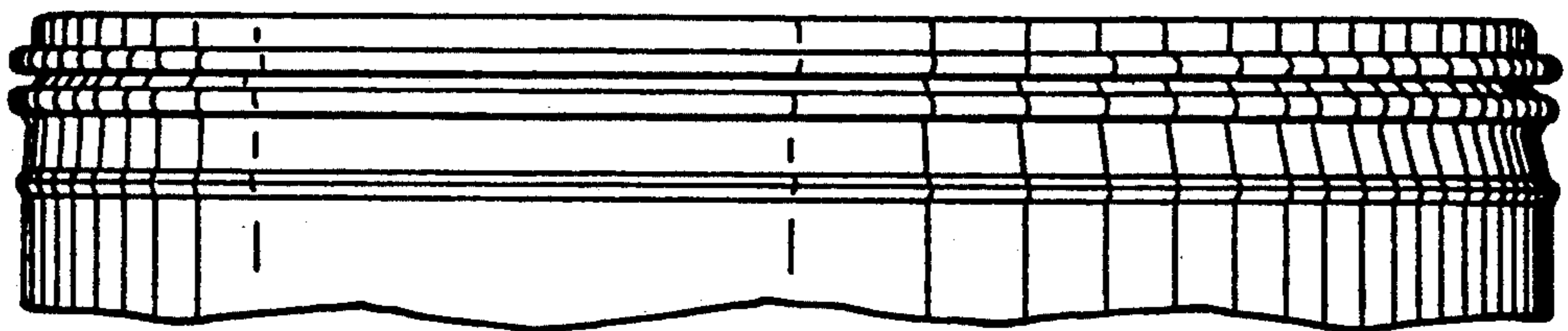


FIG. 4

FIG. 5



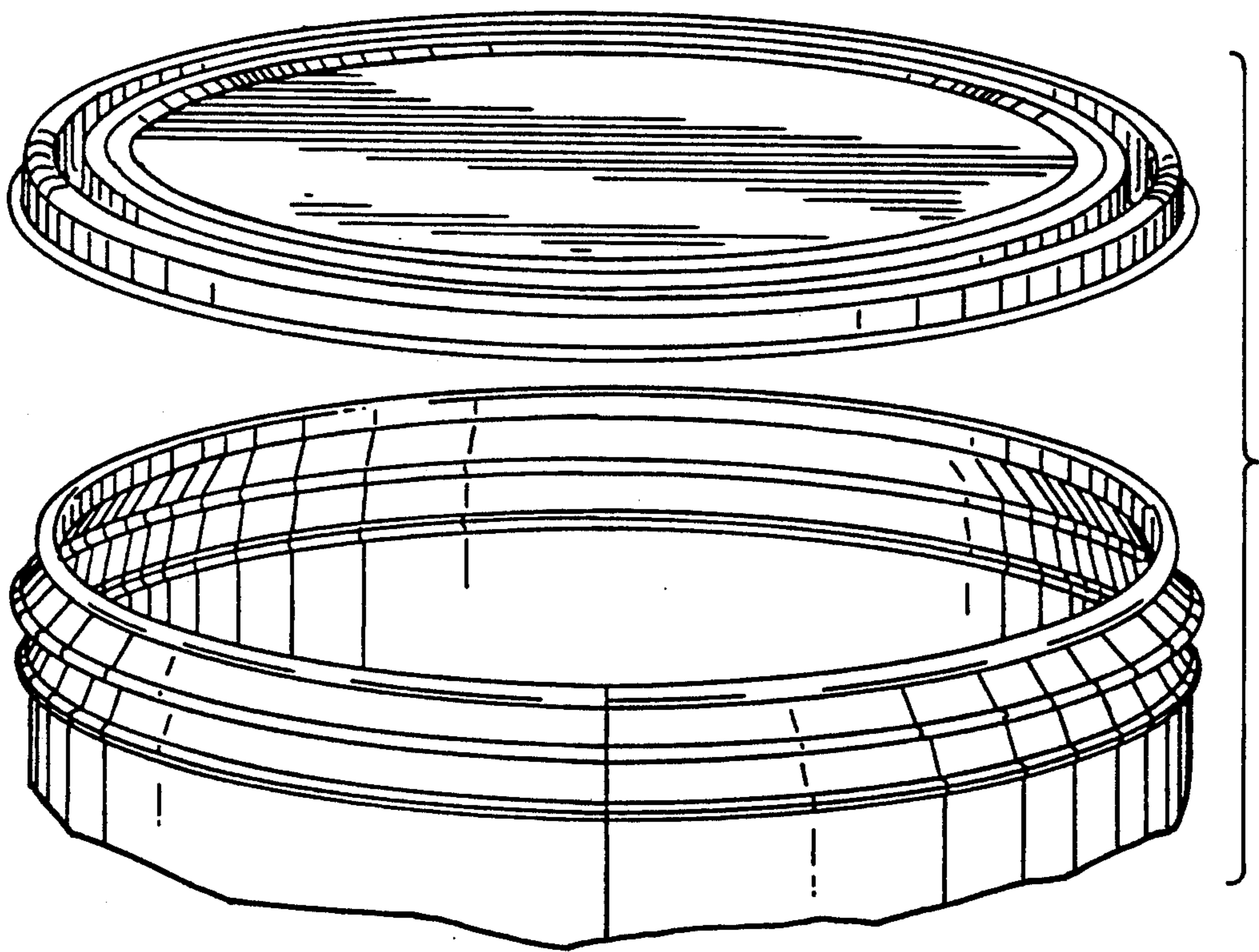


FIG. 6