



US00D329596S

United States Patent [19]

[11] Patent Number: **Des. 329,596**

Dinand

[45] Date of Patent: **** Sep. 22, 1992**

- [54] **COMBINED PERFUME BOTTLE AND CLOSURE OR SIMILAR ARTICLE**
- [75] Inventor: **Pierre Dinand, Levallois-Perret, France**
- [73] Assignee: **Donatella Pecci Blunt Srl, Milan, Italy**
- [**] Term: **14 Years**
- [21] Appl. No.: **431,144**
- [22] Filed: **Nov. 3, 1989**
- [52] U.S. Cl. **D9/544; D9/573**
- [58] Field of Search **D9/384-386, D9/403-413, 307, 382, 439, 338, 367, 369; 215/1 R, 1 C**

- D. 247,768 4/1978 Sagona D9/382
- D. 305,404 1/1990 Perrin D9/384 X
- D. 306,971 4/1990 Daucourt D9/406 X

OTHER PUBLICATIONS

Packing, Sep. 1988, p. 40, Gem Perfume bottle.

Primary Examiner—Bernard Ansher
Assistant Examiner—Lucy Lieberman
Attorney, Agent, or Firm—Shapiro and Shapiro

[57] CLAIM

The ornamental design for a combined perfume bottle and closure or similar article, as shown and described.

DESCRIPTION

FIG. 1 is a front elevational view of a combined perfume bottle and closure or similar article showing my new design, the rear view being identical thereto; FIG. 2 is a right side elevational view thereof, the left side elevational view being identical thereto; FIG. 3 is a top plan view thereof; and, FIG. 4 is a perspective view thereof. The bottom of the combined perfume bottle and closure or similar article is plain.

- [56] **References Cited**
- U.S. PATENT DOCUMENTS**
- D. 71,782 1/1927 Delaize D9/384
- D. 86,566 3/1932 Gibson D9/384
- D. 98,382 1/1936 Barbiers D9/408
- D. 194,809 3/1963 DuPree D9/384

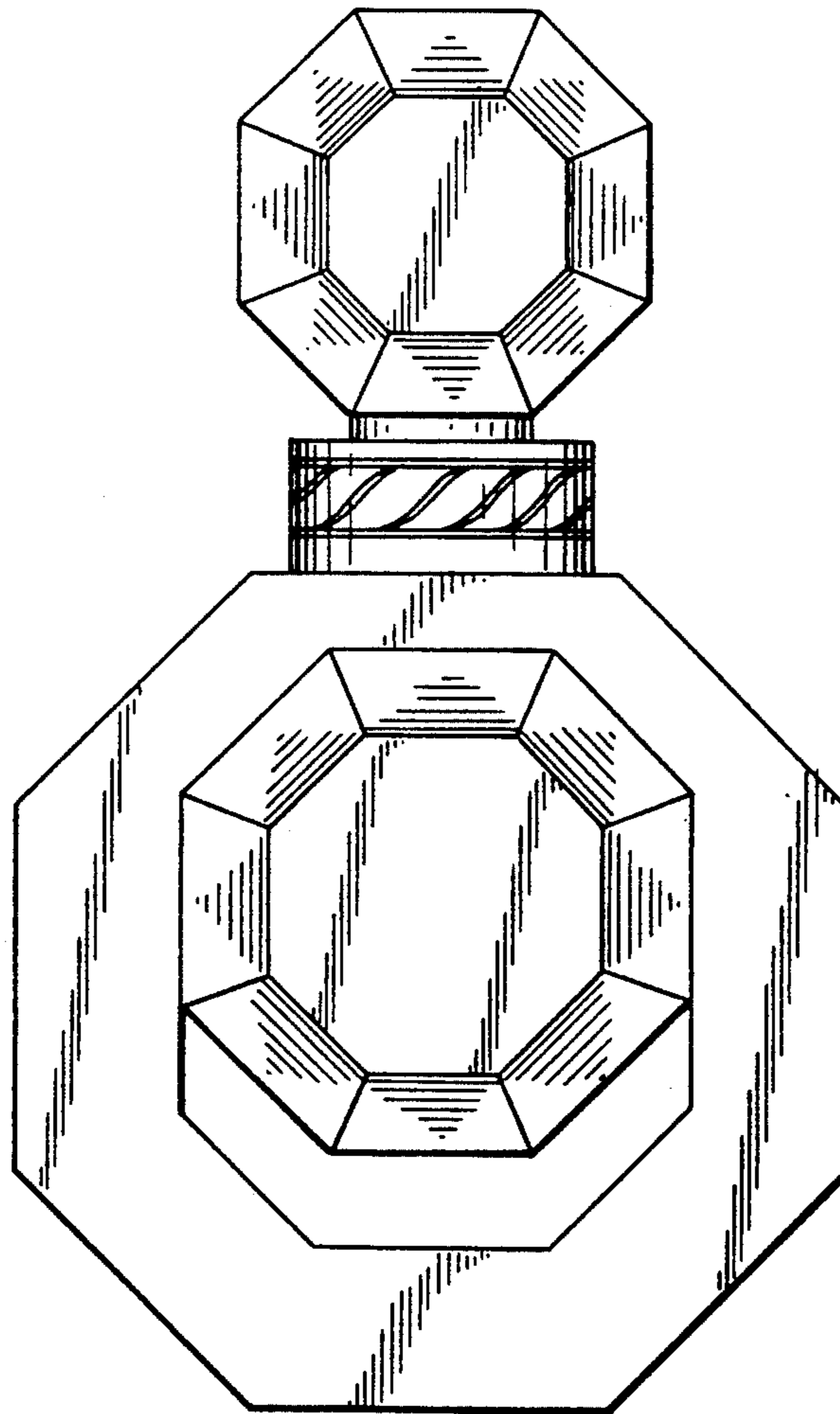


FIG. 2

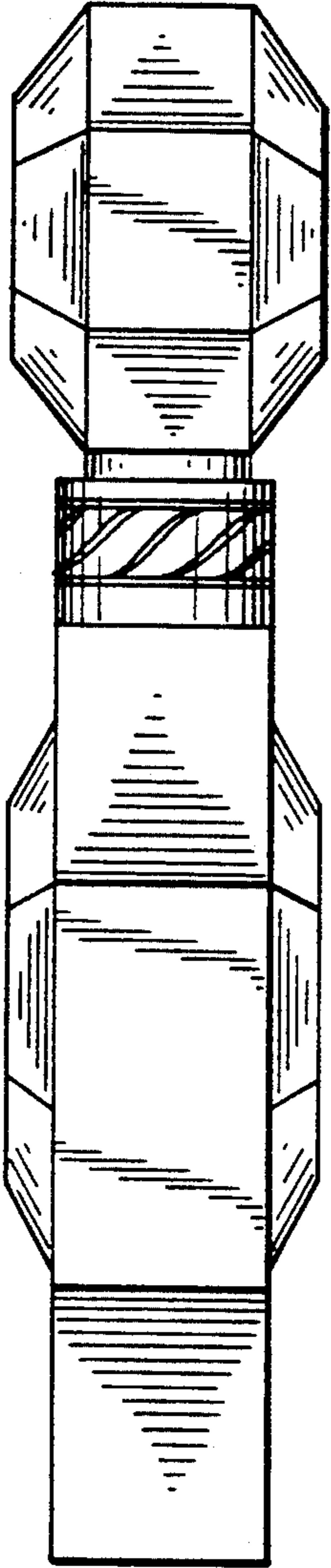


FIG. 1

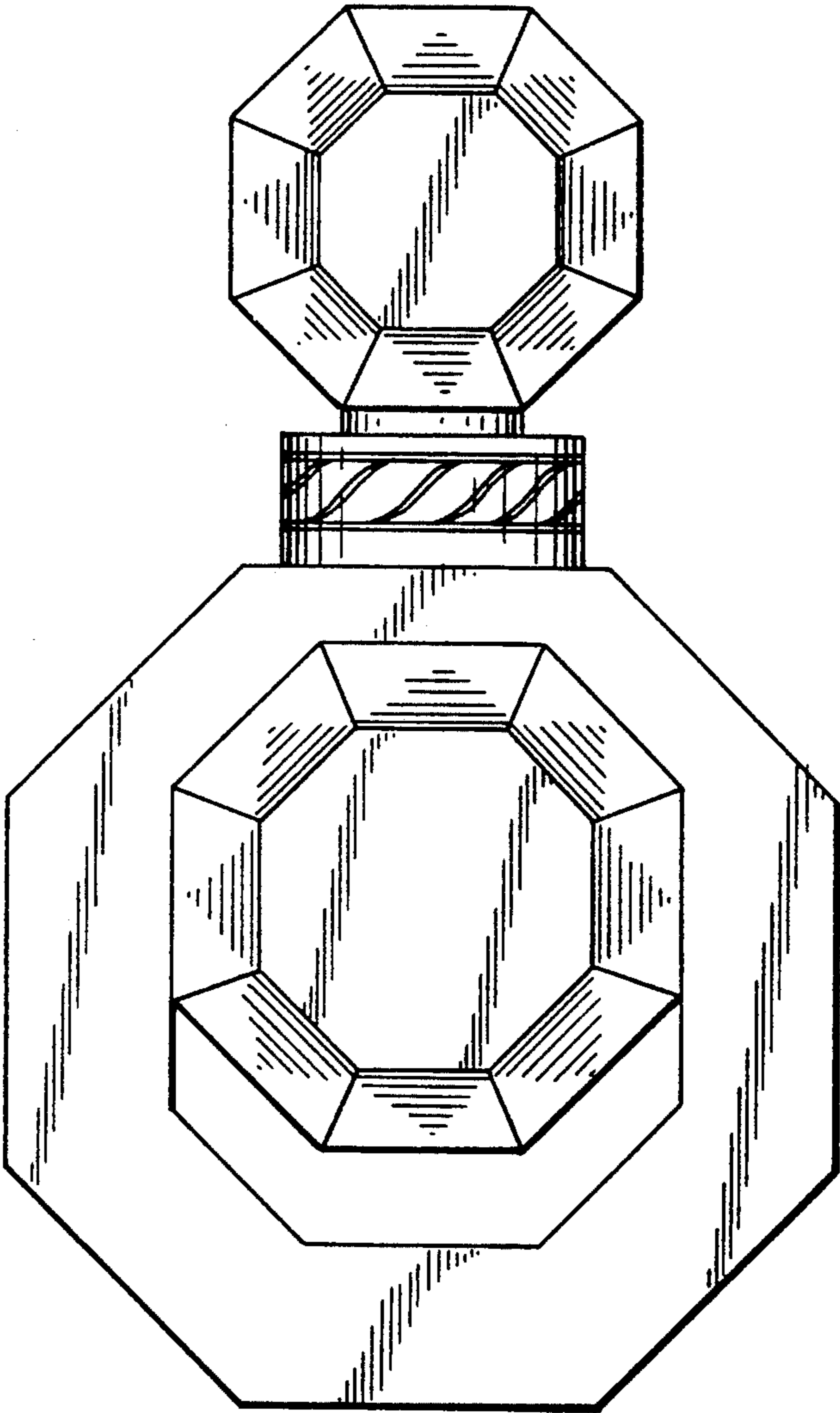


FIG. 3

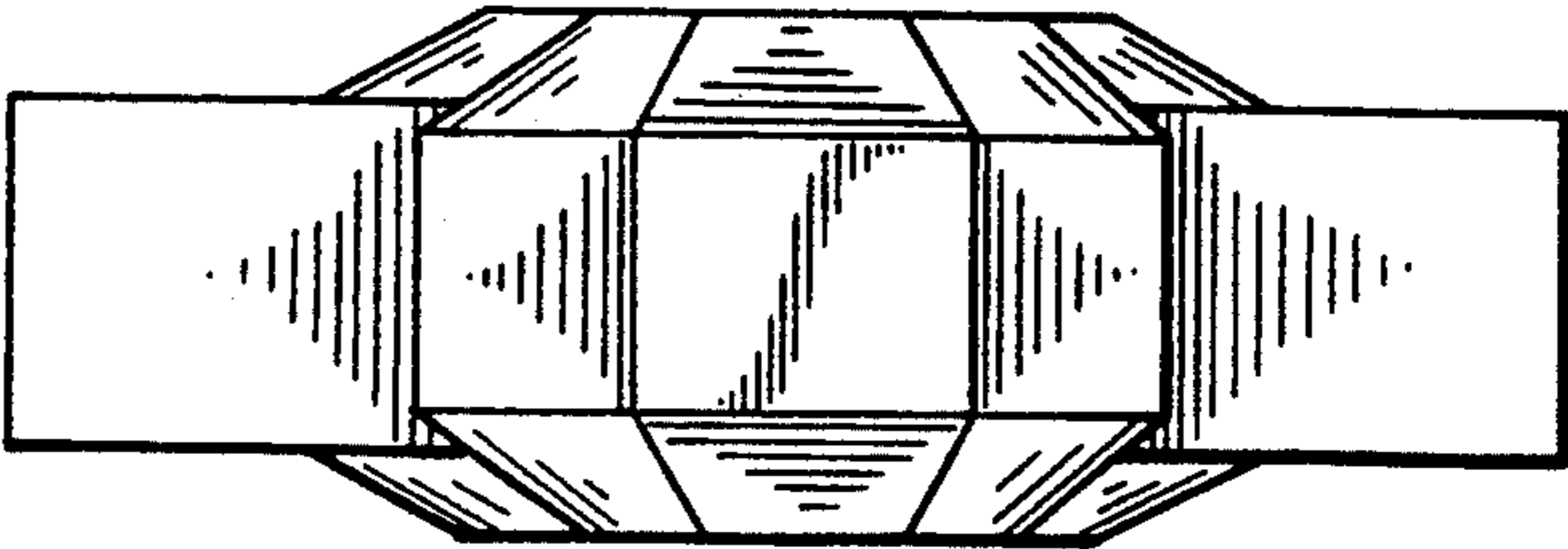


FIG. 4

