



US00D329590S

United States Patent [19]

Chapman

[11] Patent Number: **Des. 329,590**

[45] Date of Patent: **** Sep. 22, 1992**

[54] **DOOR KNOB DOOR STOP**

[76] Inventor: **Terence J. Chapman**, 1127 S. 63rd St., Tacoma, Wash. 98408-3314

[**] Term: **14 Years**

[21] Appl. No.: **551,733**

[22] Filed: **Jul. 12, 1990**

[52] U.S. Cl. **D8/402**

[58] Field of Search **D6/99; D8/322, 354, D8/400-403; 16/82, 83, 85, 86 R, 86 A; 150/155; 292/DIG. 2, DIG. 15, DIG. 19**

[56] **References Cited**

U.S. PATENT DOCUMENTS

D. 257,123	9/1980	Farmer, Jr.	D8/402
2,131,067	9/1938	Paden .	
2,699,809	1/1955	Nebe et al.	150/155

2,721,597	10/1955	Pitrella	150/155
2,753,911	7/1956	Haslett	150/155
3,994,043	11/1976	Gurzenda	16/86 A
4,082,351	4/1978	Chrones	16/86 A

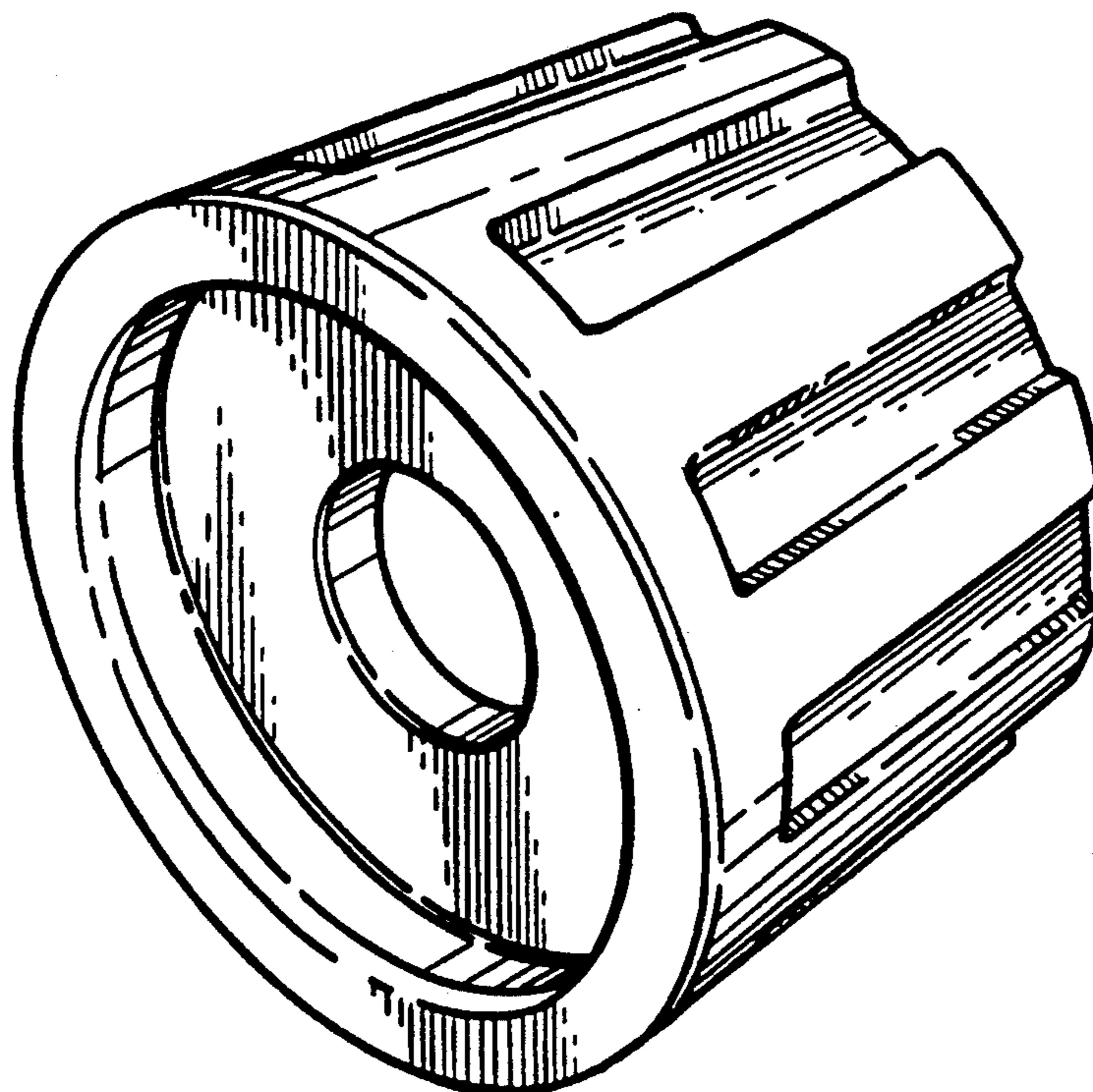
Primary Examiner—Bernard Ansher
Assistant Examiner—Sandra Morris
Attorney, Agent, or Firm—Terry M. Gernstein

[57] **CLAIM**

The ornamental design for a door knob door stop, as shown and described.

DESCRIPTION

FIG. 1 is a perspective view of a door knob door stop, showing my new design;
FIG. 2 is a side elevational view thereof, the other sides being identical;
FIG. 3 is a top plan view thereof; and,
FIG. 4 is a bottom view thereof.



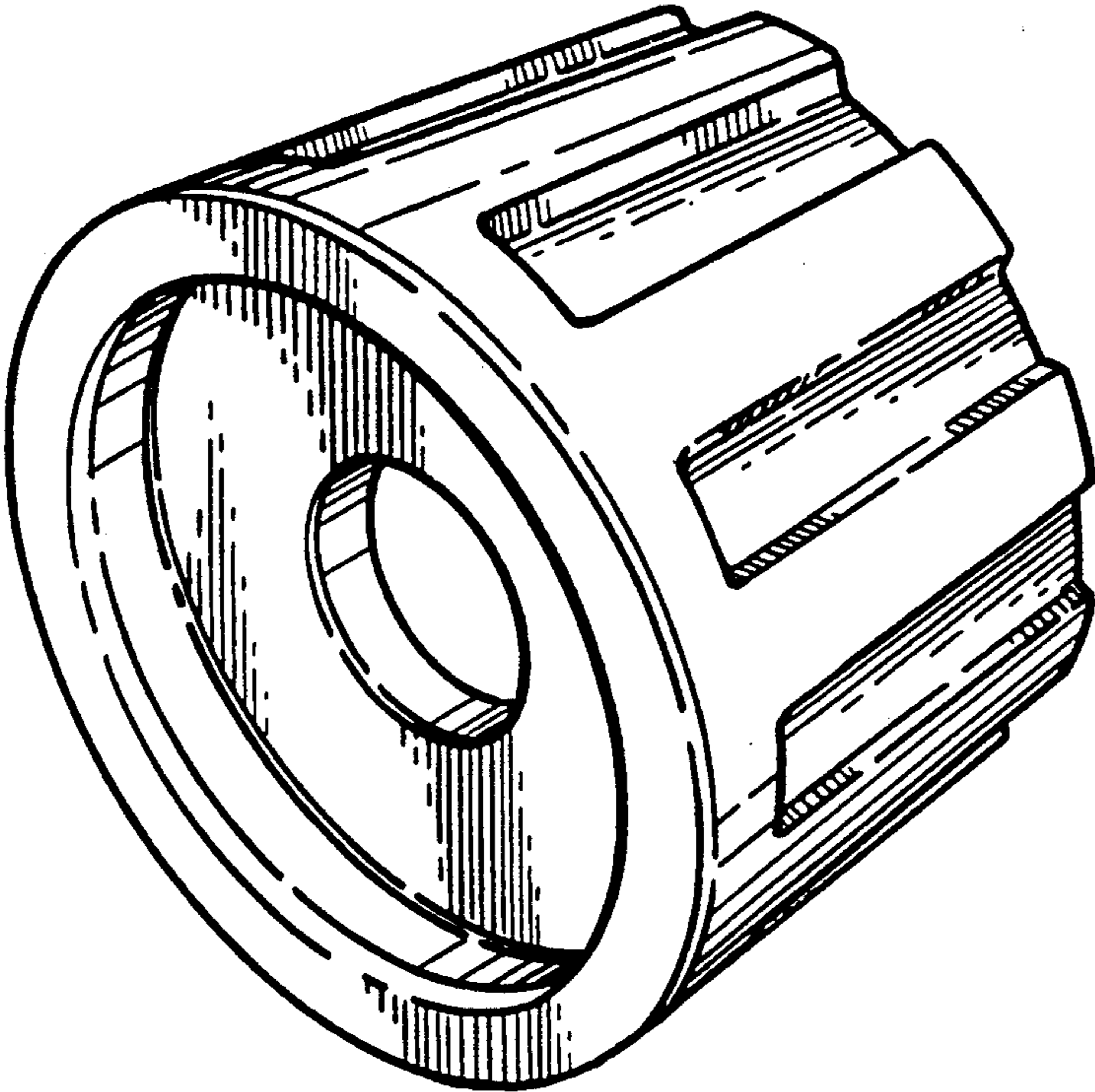


Fig. 1

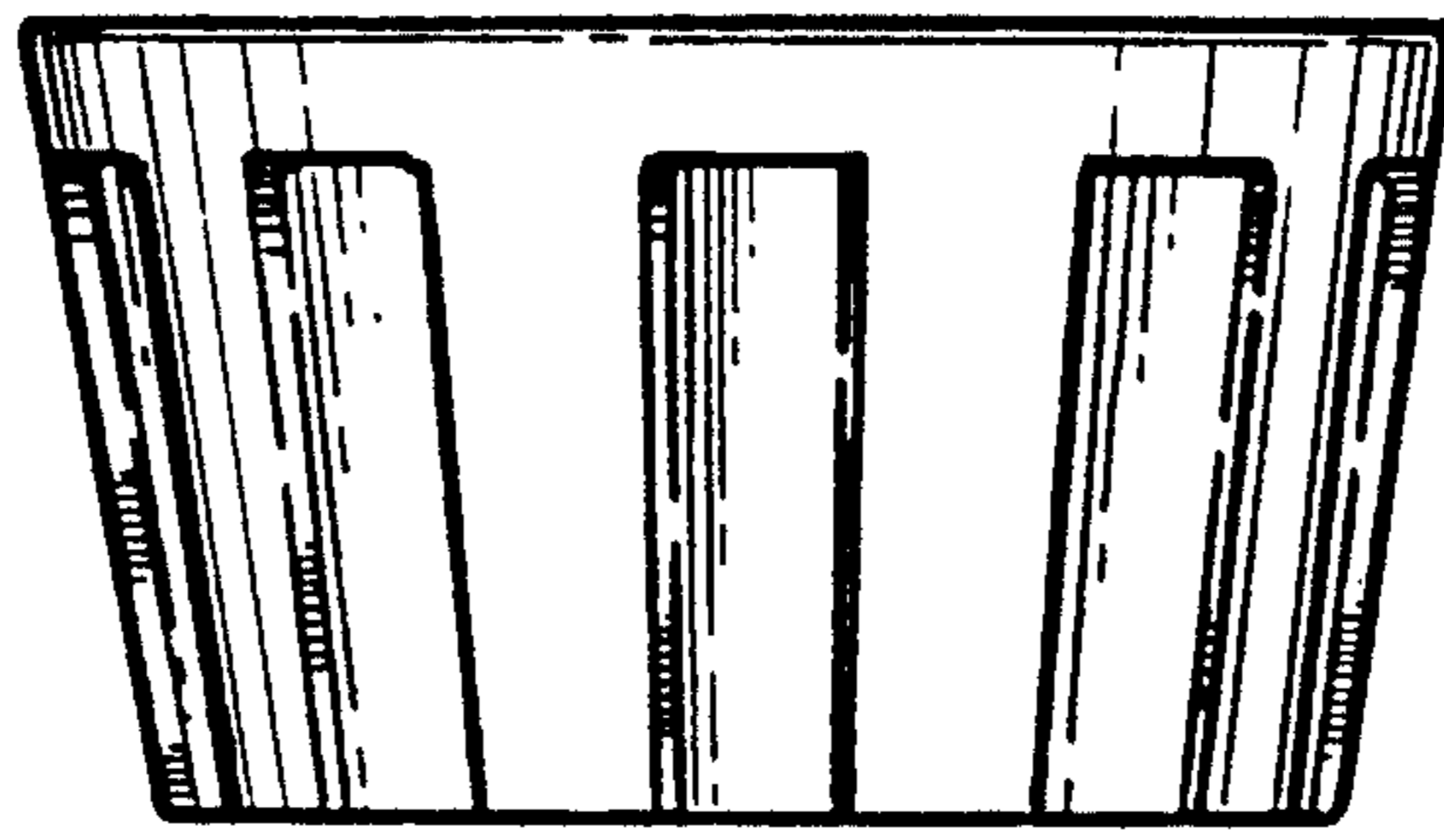


Fig. 2

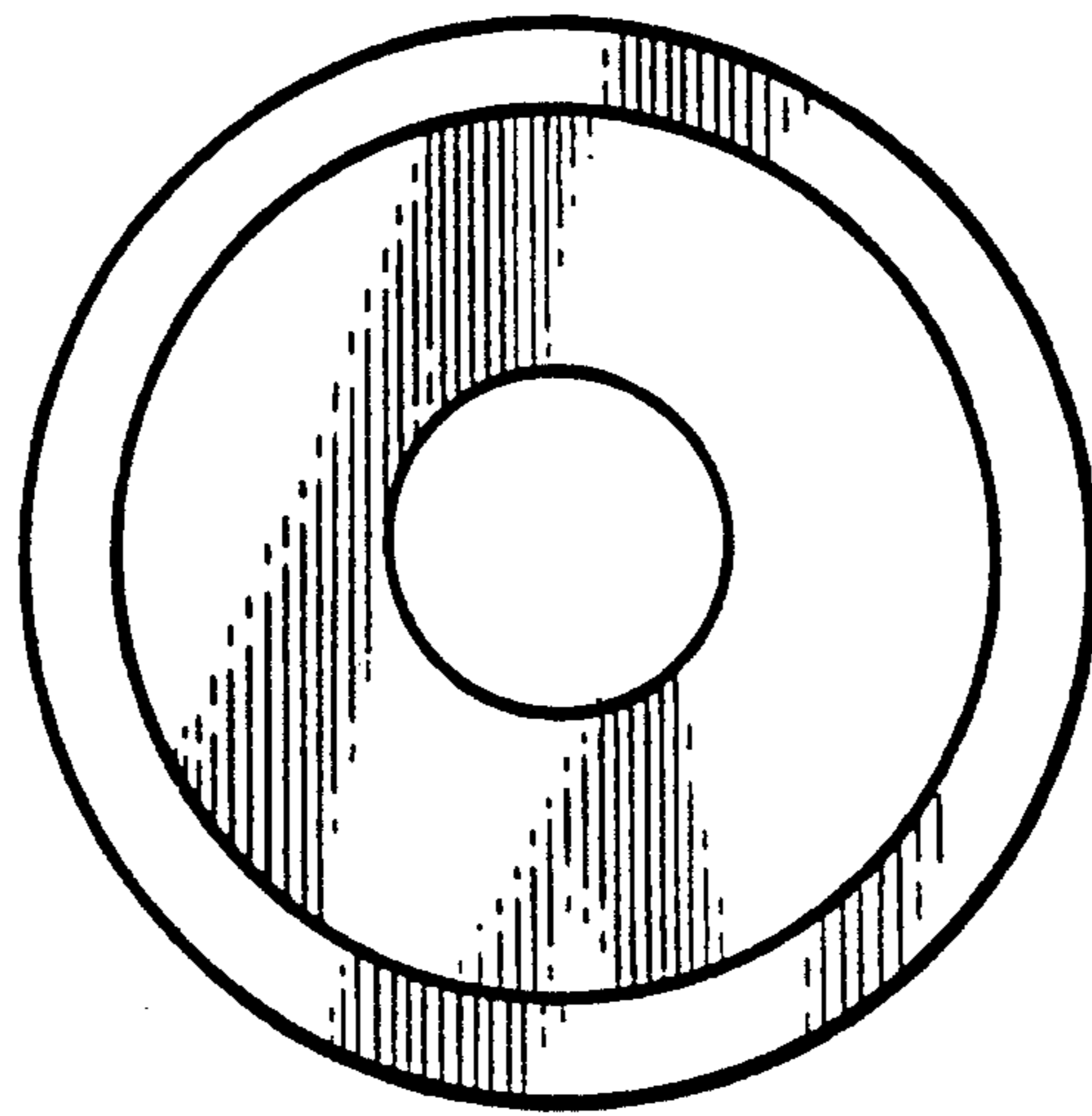


Fig. 3

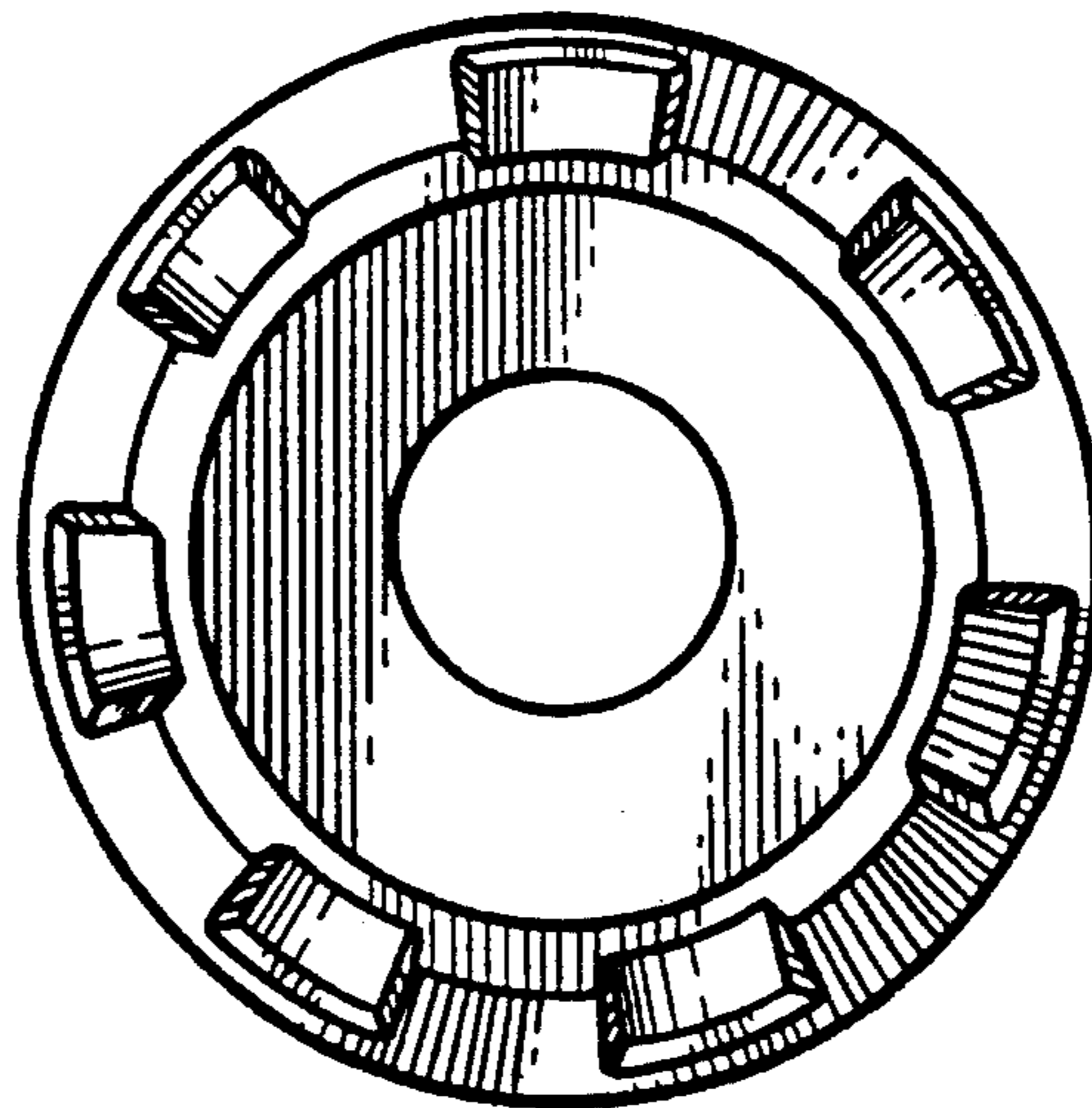


Fig. 4