



US00D329589S

United States Patent [19]

[11] Patent Number: **Des. 329,589**

Parduhn

[45] Date of Patent: **** Sep. 22, 1992**

[54] **COMBINED POLE AND BASE STABILIZING CLAMP**

[76] Inventor: **Philip Parduhn, 320 SW. 18th, Edmond, Okla. 73013**

[**] Term: **14 Years**

[21] Appl. No.: **560,420**

[22] Filed: **Jul. 30, 1990**

[52] U.S. Cl. **D8/396**

[58] Field of Search **D8/354-356, D8/394-396; 24/19, 20 LS, 276-284; 248/71, 74.1-74.4**

[56] **References Cited**

U.S. PATENT DOCUMENTS

D. 269,155	5/1983	Rose	D8/356
D. 283,675	5/1986	Fogel et al.	D8/396
D. 969,214	1/1961	Torresen	24/19
4,059,872	11/1977	Delesandri	24/279
4,338,707	7/1982	Byerly	24/20 LS

OTHER PUBLICATIONS

Murray Hose Clamps ©1987 Coupling, top left, p. 7.

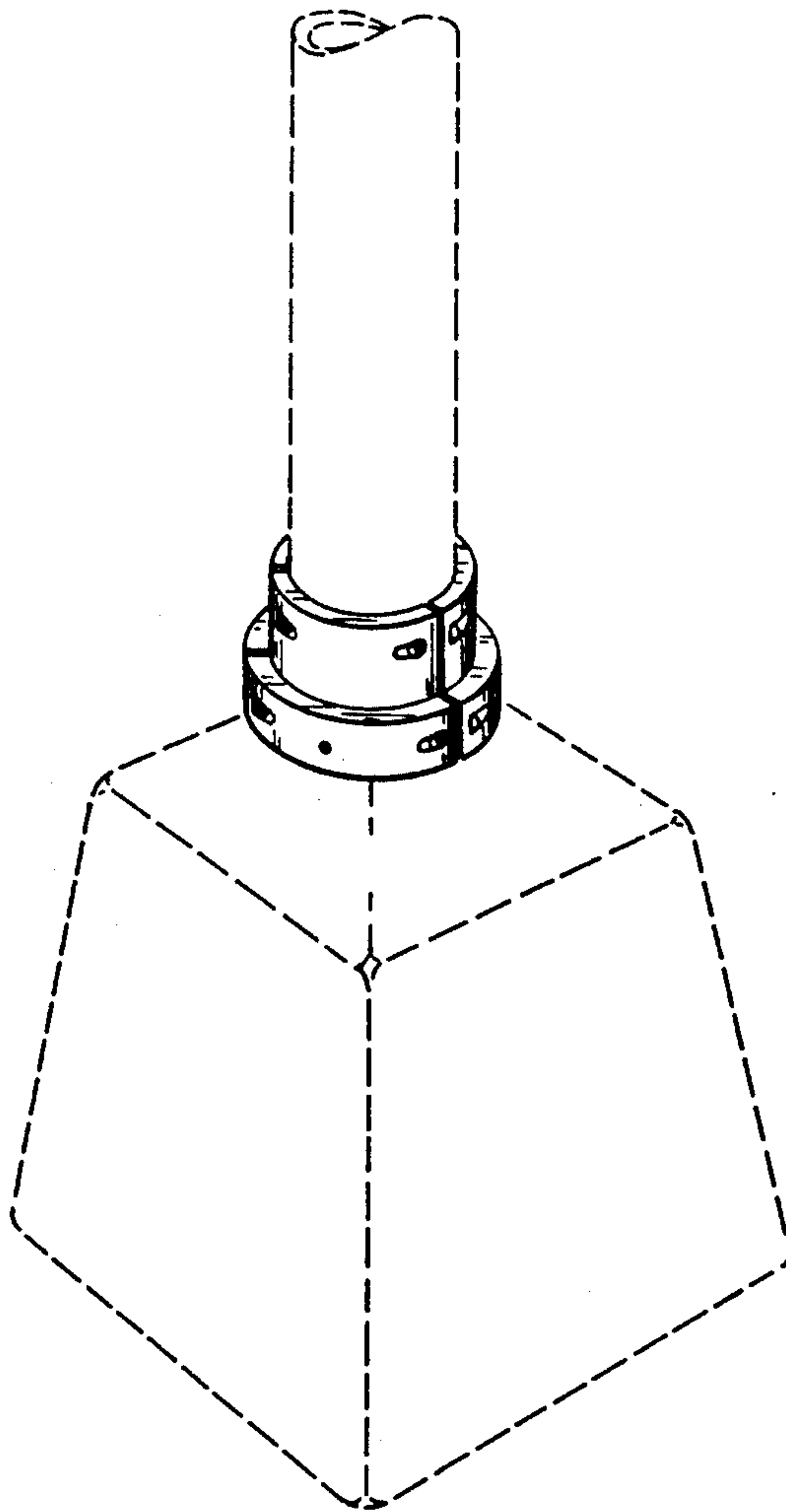
Primary Examiner—Bernard Ansher
Assistant Examiner—Sandra Morris
Attorney, Agent, or Firm—Robert K. Rhea

[57] **CLAIM**

The ornamental design for a combined pole and base stabilizing clamp, as shown and described.

DESCRIPTION

FIG. 1 is a perspective view of a combined pole and base stabilizing clamp, showing my new design, the broken line showing of a pole and base is for illustrative purposes only, and forms no part of the claimed design; FIG. 2 is an enlarged top plan view of one segment of the clamp, the other two segments being identical, shown broken away for ease of illustration; FIG. 3 is an enlarged left side elevational view of the segment as viewed in FIG. 2; and, FIG. 4 is an enlarged exploded perspective view thereof.



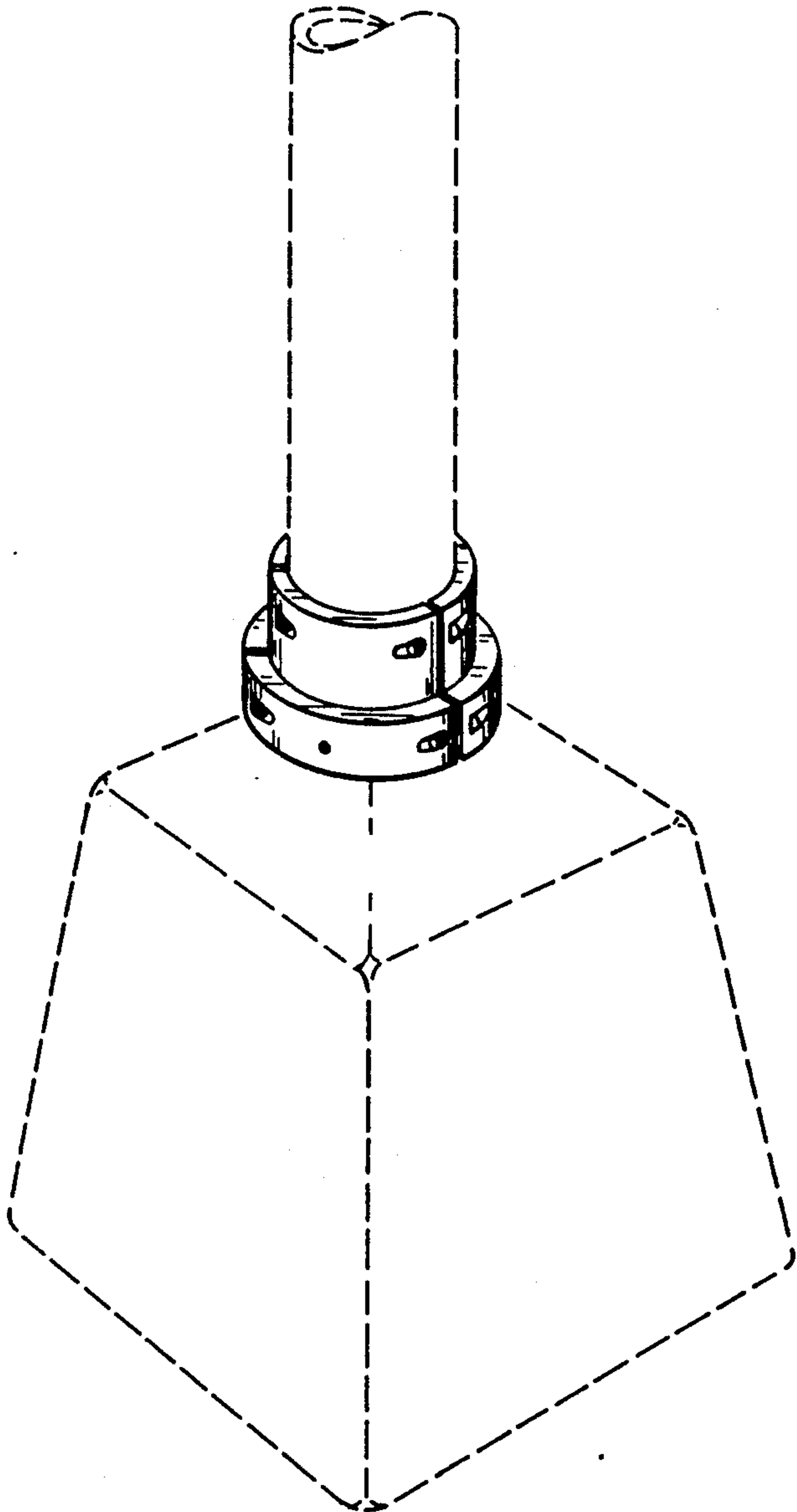


Fig. 1

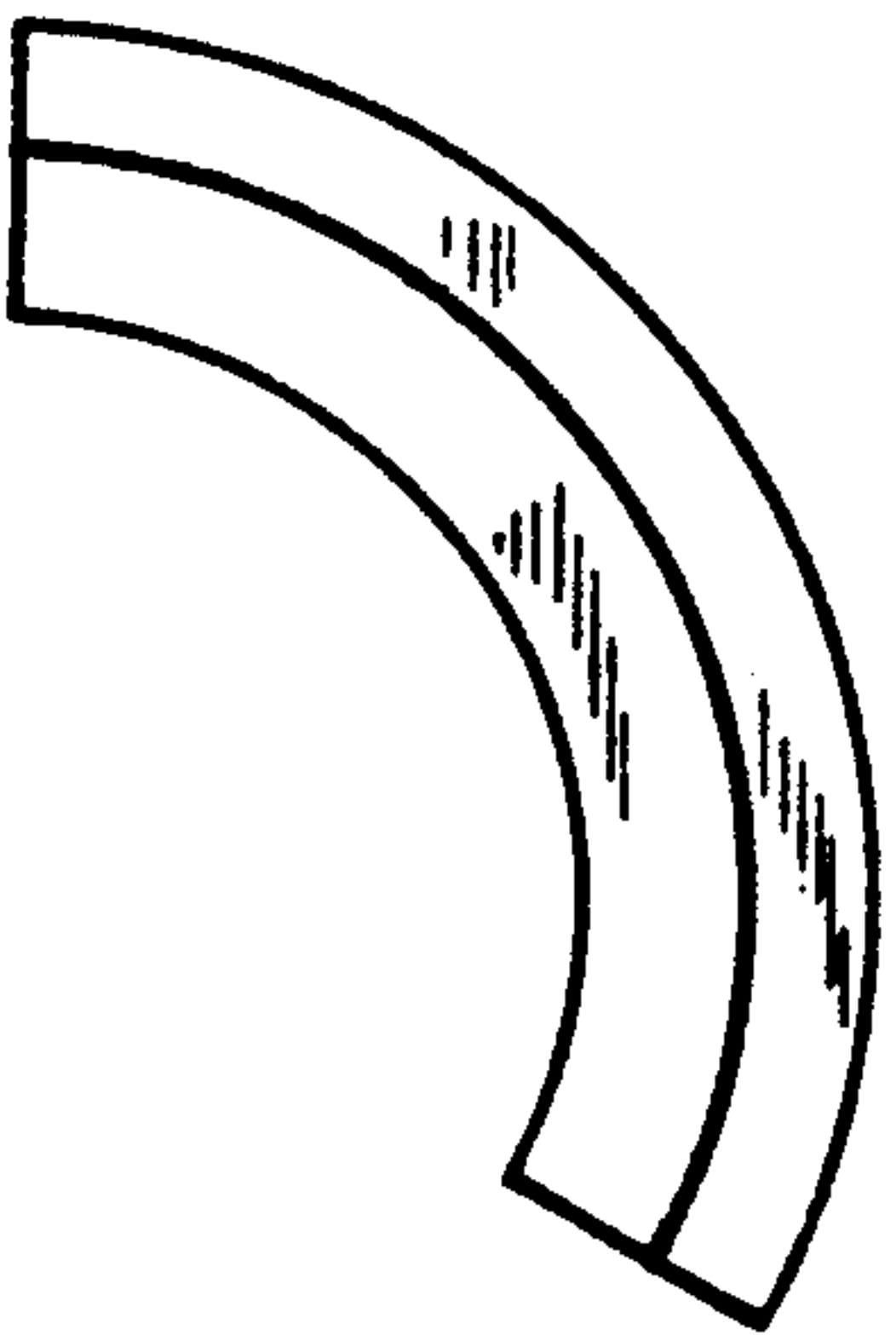


Fig. 2

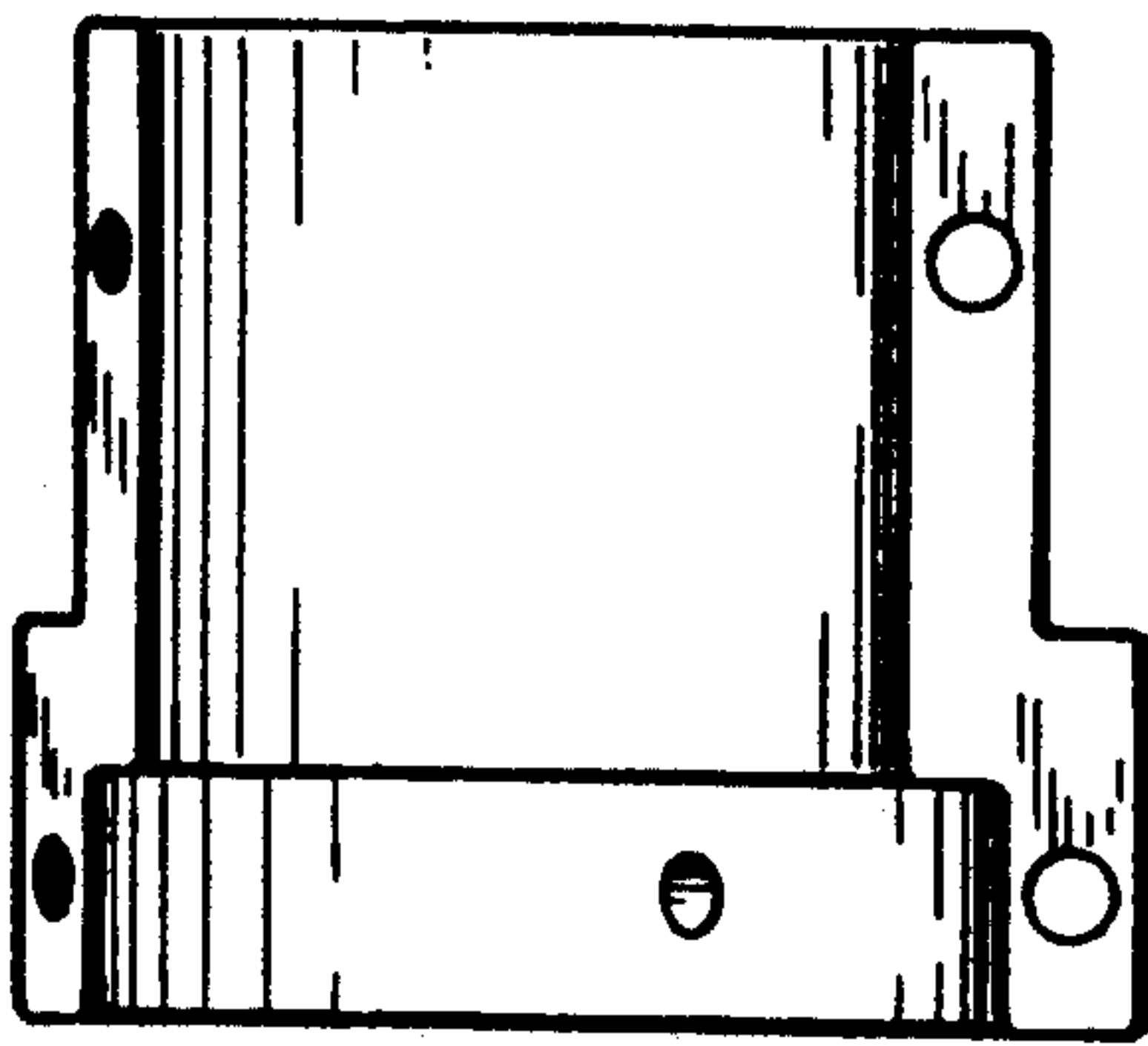


Fig. 3

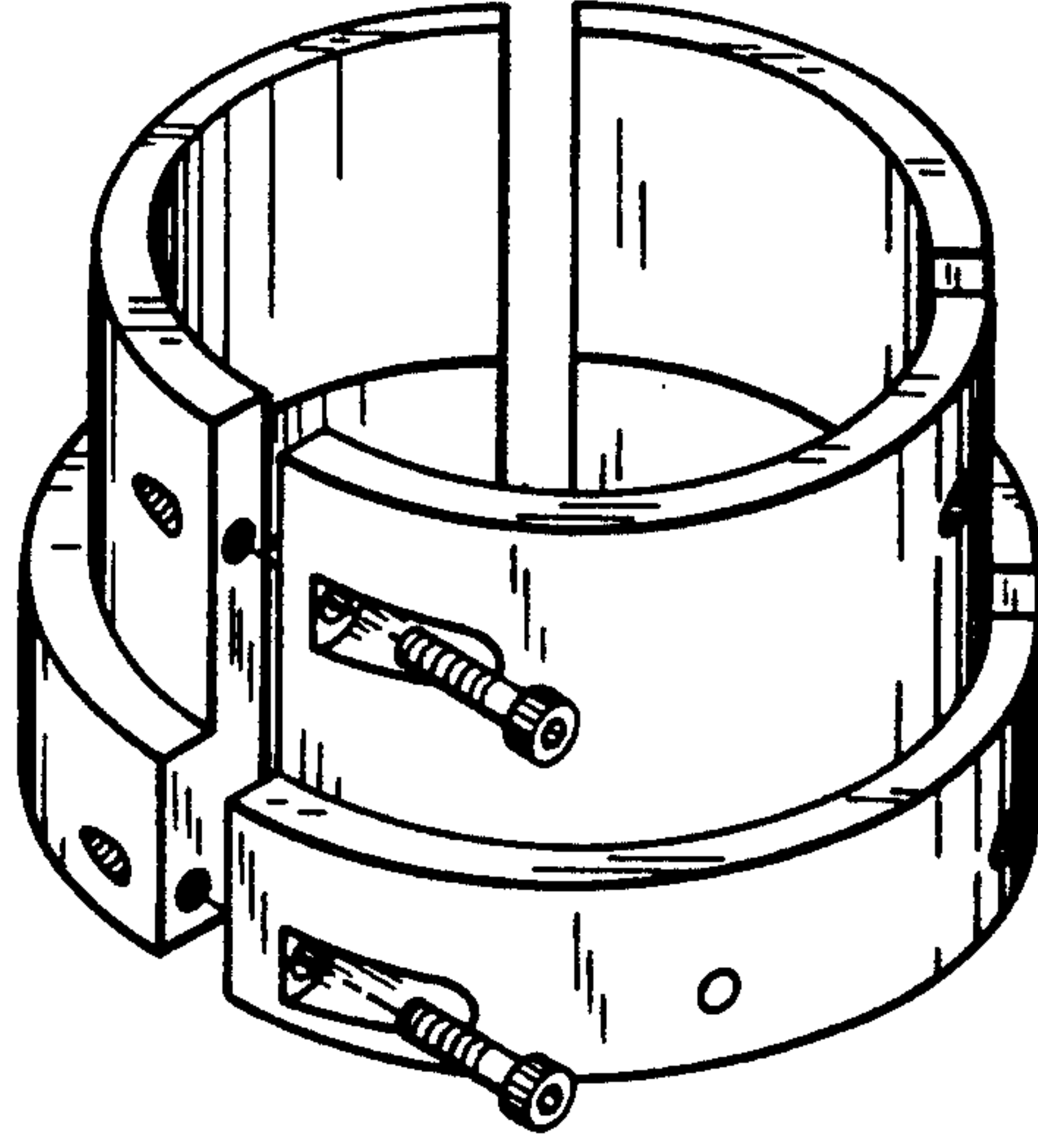


Fig. 4