



US00D329587S

United States Patent [19]

Calloway et al.

[11] Patent Number: **Des. 329,587**

[45] Date of Patent: **** Sep. 22, 1992**

[54] VIDEO CASSETTE RECORDER LOCK

[76] Inventors: **Randall A. Calloway**, 3905 Hammock Rd.; **James L. Barrett**, 3764 E. R. Smyth Dr., both of Mims, Fla. 32754

4,527,405 7/1985 Remick et al. 70/58 X
 4,640,106 2/1987 Derman 70/14
 4,655,057 4/1987 Derman 70/58 X
 4,741,185 5/1988 Weinert et al. 70/57
 4,794,587 12/1988 Cordiano 369/292

[**] Term: **14 Years**

Primary Examiner—Brian N. Vinson
Attorney, Agent, or Firm—Leon Gilden

[21] Appl. No.: **501,195**

[57] CLAIM

[22] Filed: **Mar. 29, 1990**

The ornamental design for a video cassette recorder lock, as shown and described.

[52] U.S. Cl. **D8/341; D8/331**

[58] Field of Search D8/330-331,
D8/339, 341, 343, 346; D14/217; 369/292;
70/14, 57-58, 158, 160, 163

DESCRIPTION

[56] References Cited

U.S. PATENT DOCUMENTS

D. 305,726 1/1990 Halay D8/331 X
 4,248,069 2/1981 Burbank 70/160

FIG. 1 is a front elevational view of the video cassette recorder lock showing my new design;
 FIG. 2 is a rear elevational view thereof;
 FIG. 3 is a left side elevational view thereof;
 FIG. 4 is a right side elevational view thereof;
 FIG. 5 is a top plan view thereof; and,
 FIG. 6 is a bottom plan view thereof.

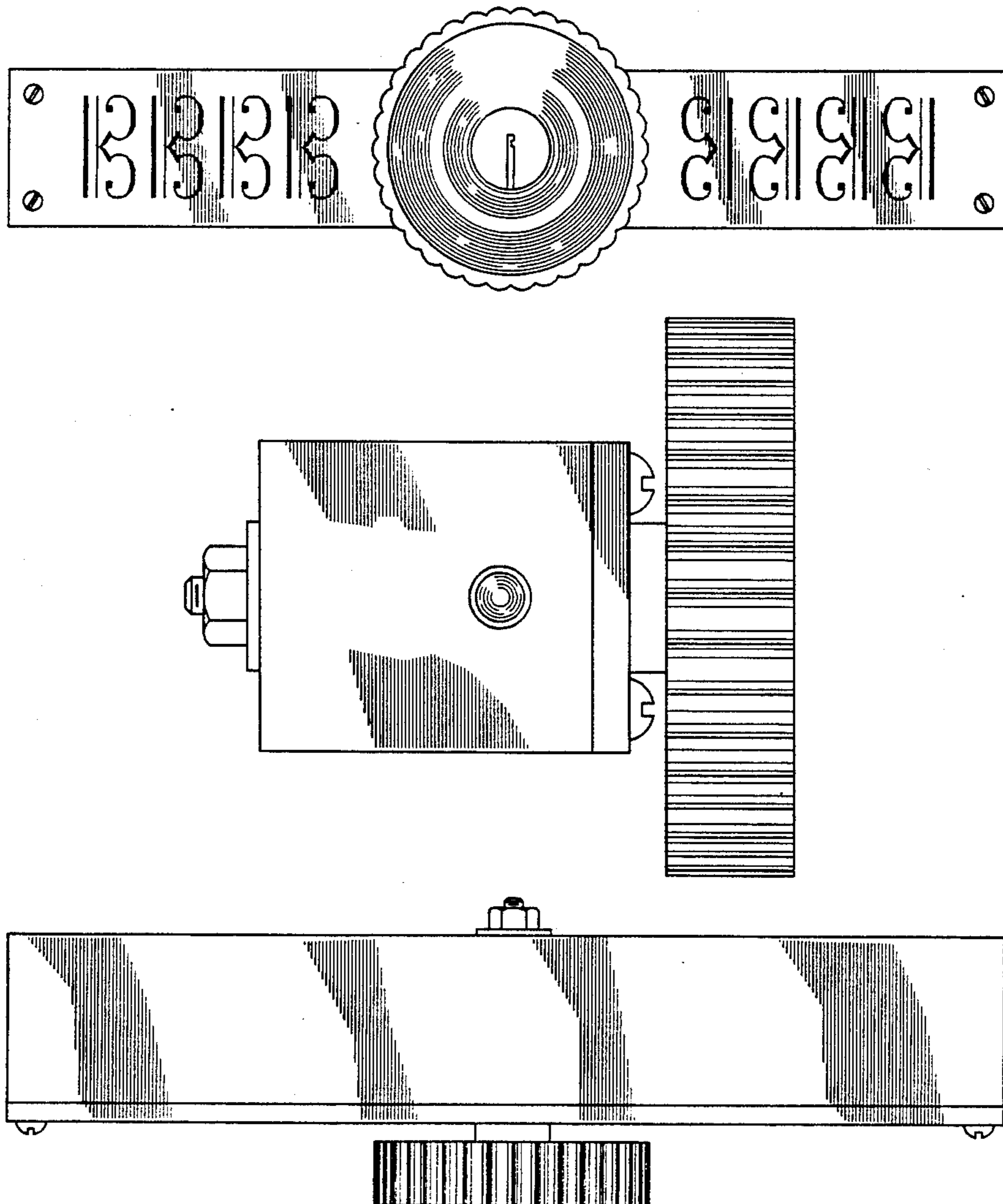


FIG. 1

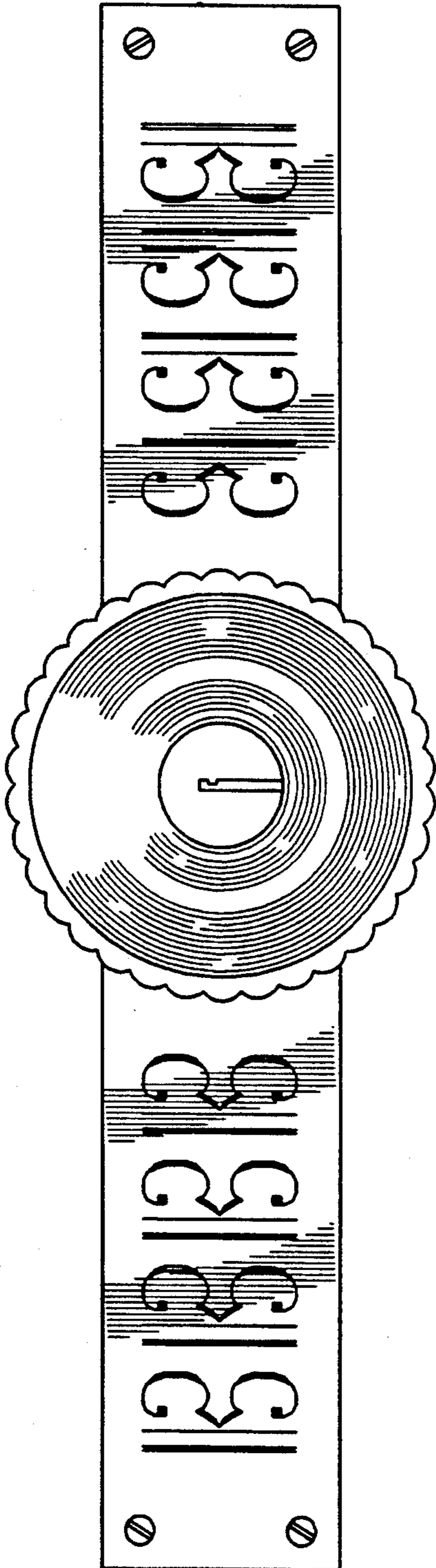


FIG. 2

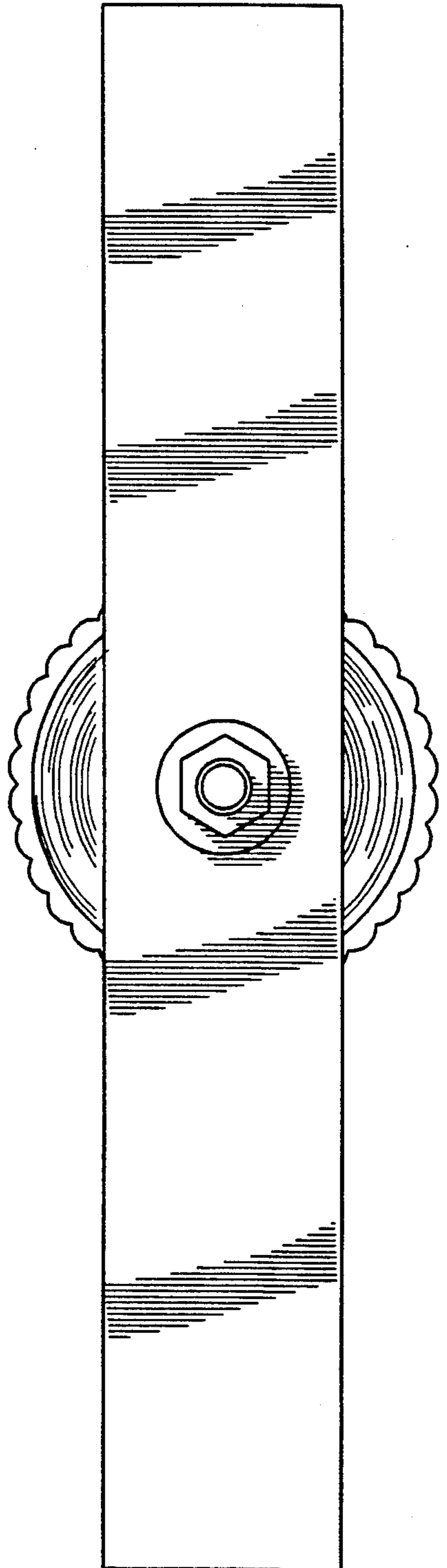


FIG. 3

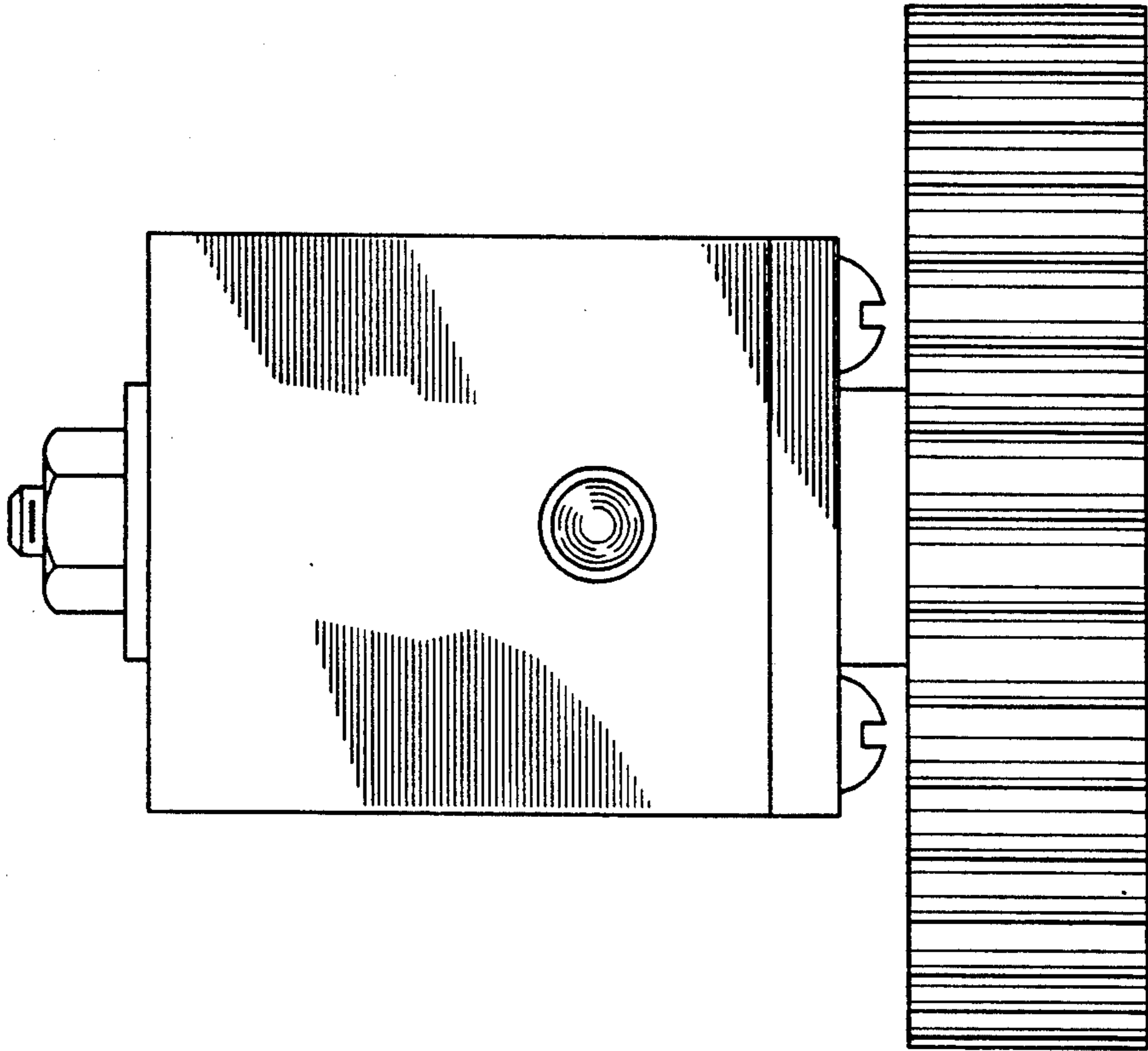


FIG. 4

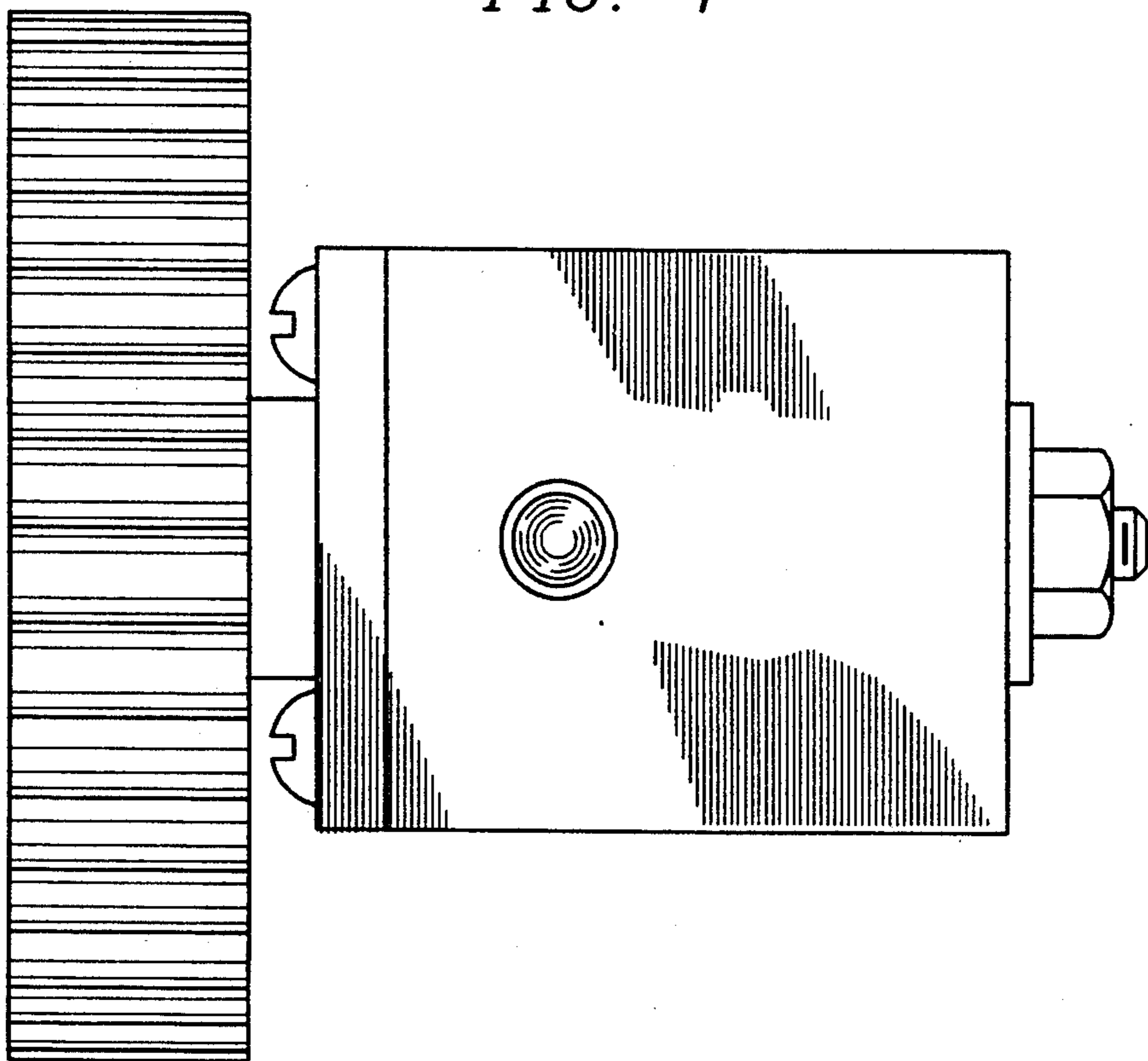


FIG. 5

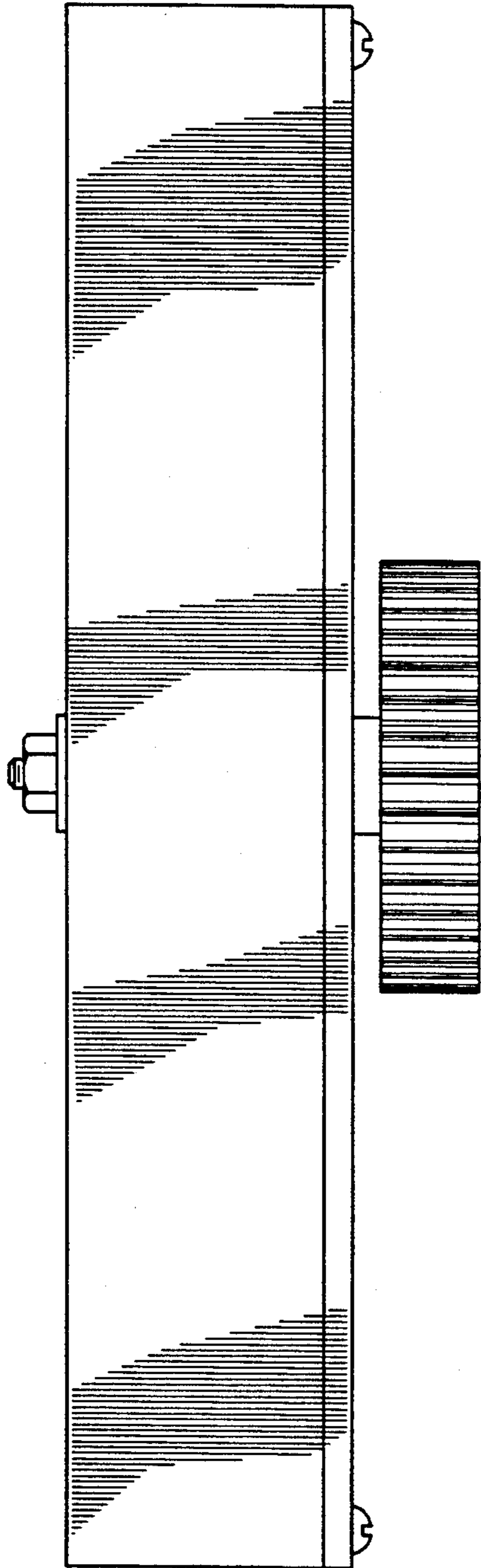


FIG. 6

