



US00D329586S

United States Patent [19]

[11] Patent Number: **Des. 329,586**

Primeau

[45] Date of Patent: **** Sep. 22, 1992**

[54] FURNITURE HANDLE

D. 141,520 6/1945 Stewart D8/317

[76] Inventor: **Mario Primeau**, 8710, Marjolaine Street, St-Léonard, Québec, Canada, H1R 2H6

OTHER PUBLICATIONS

Paul Associates Cat.; p. 49; lever 145.

[**] Term: **14 Years**

Primary Examiner—B. J. Bullock

[21] Appl. No.: **631,774**

Attorney, Agent, or Firm—Pierre Lespérance; François Martineau

[22] Filed: **Dec. 21, 1990**

[52] U.S. Cl. **D8/320; D8/308**

[58] Field of Search **D8/300, 308, 315-320, D8/313; 16/110 R, 124, 125**

[57] CLAIM

The ornamental design for a furniture handle, as shown.

[56] References Cited

U.S. PATENT DOCUMENTS

- D. 100,218 6/1936 Martin D8/313
- D. 102,568 12/1936 Martin D8/316
- D. 127,681 6/1941 Hodgman D8/320

DESCRIPTION

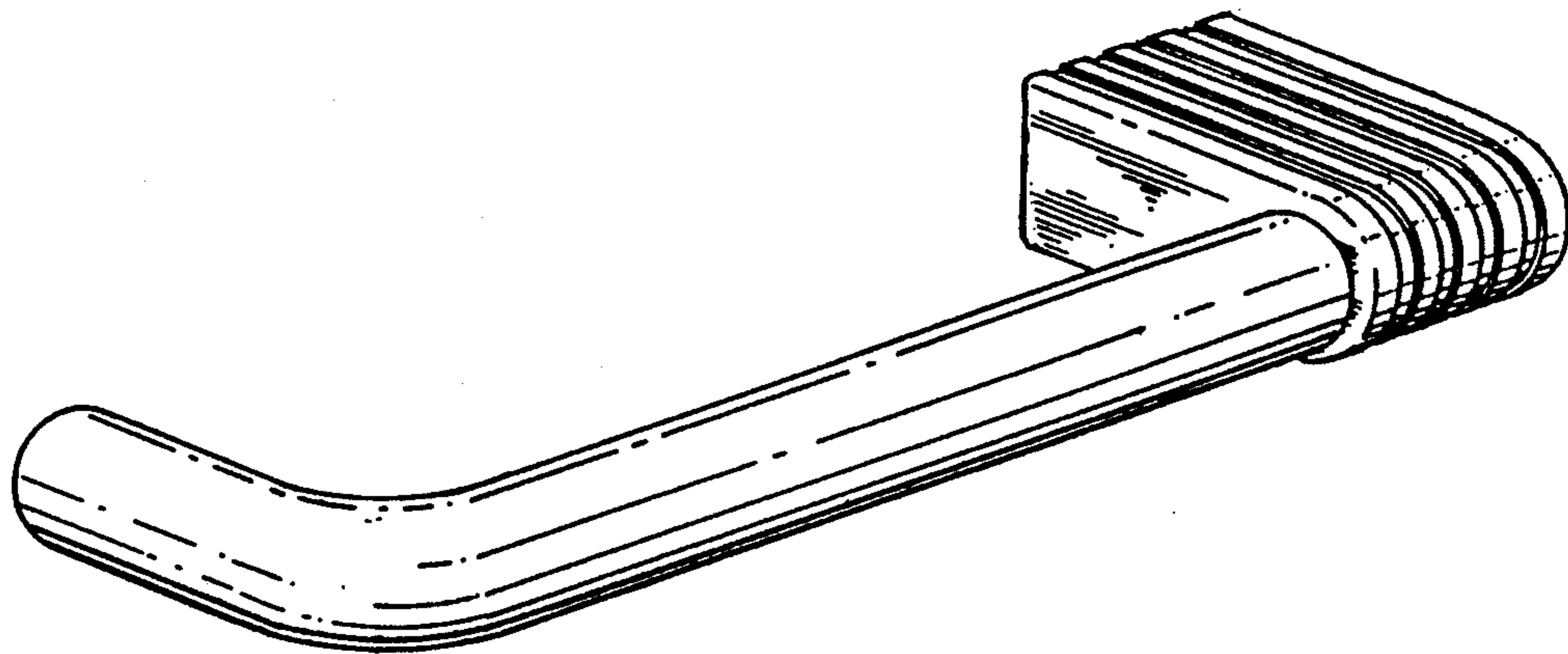
FIG. 1 is a perspective view of a furniture handle showing my new design;

FIG. 2 is a front view thereof;

FIG. 3 is a bottom view thereof;

FIG. 4 is a rear view thereof; and,

FIG. 5 is an end view taken from the left of FIG. 3.



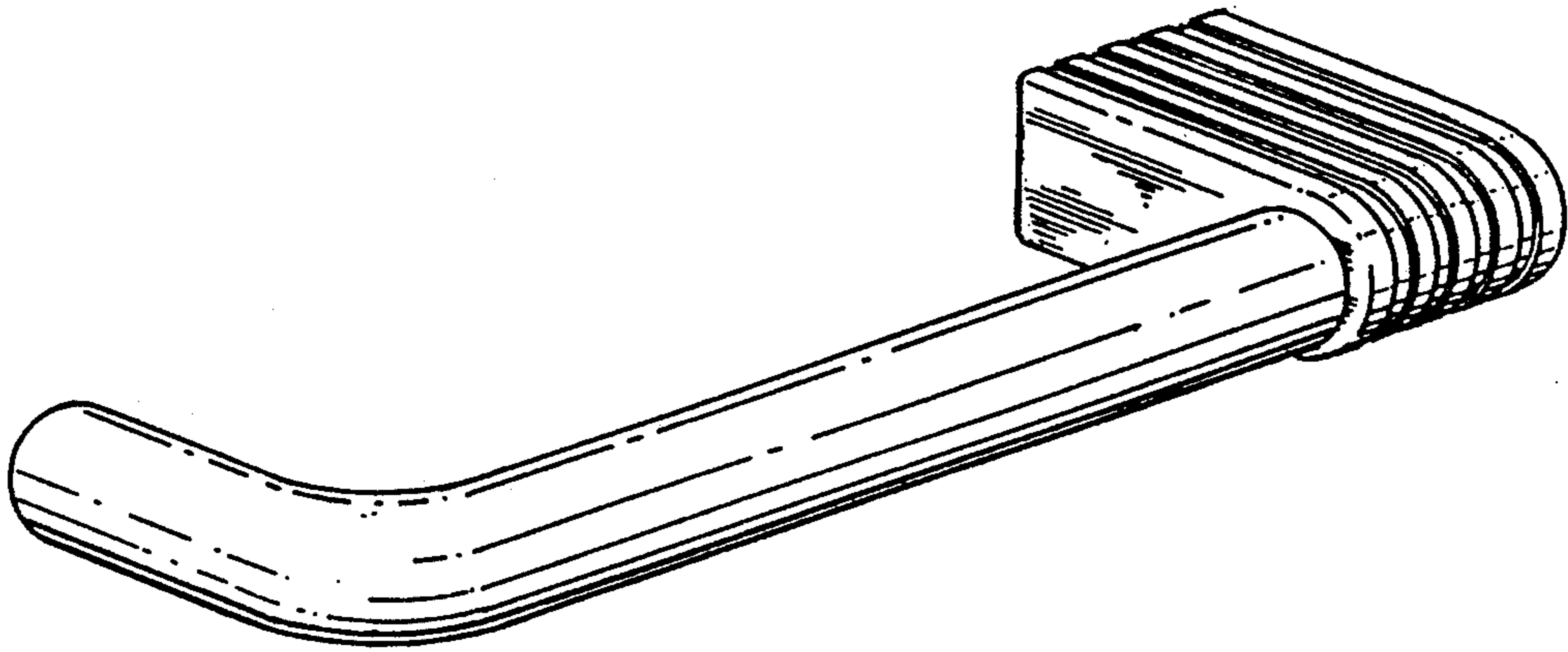


FIG.1

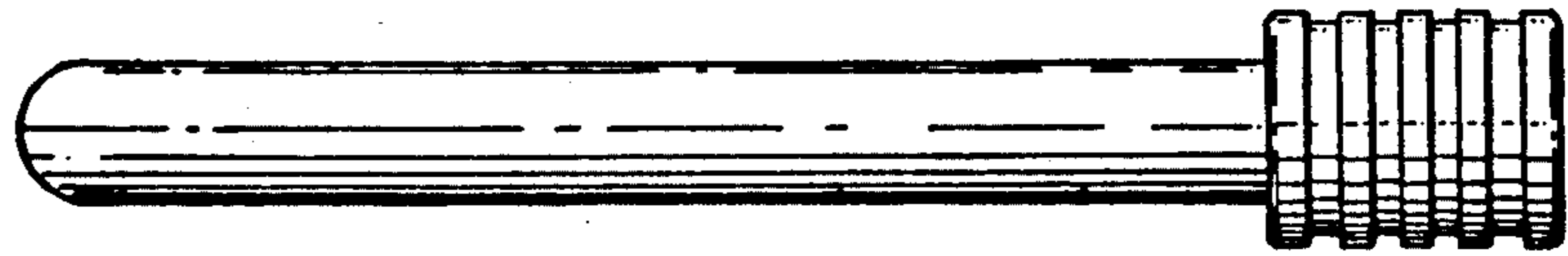


FIG. 2

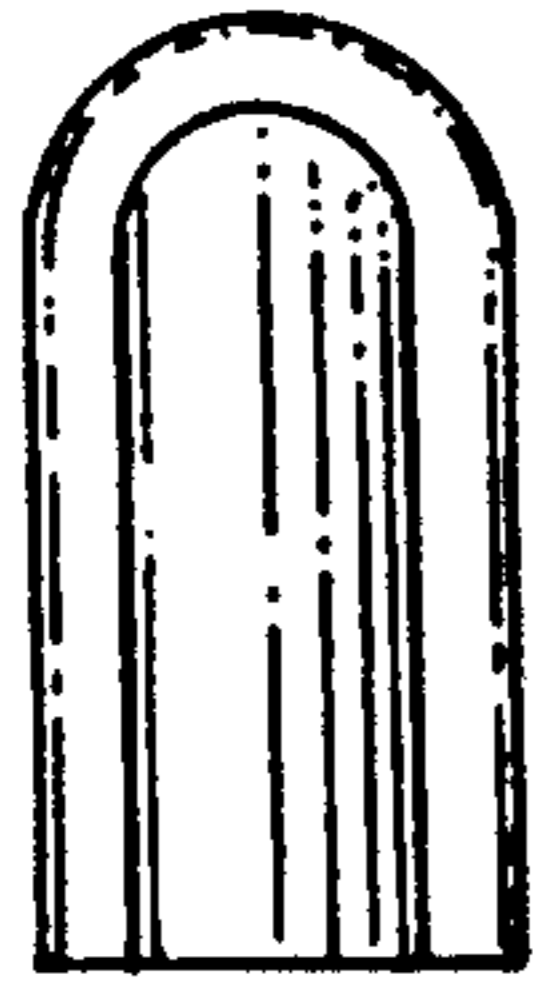


FIG. 5

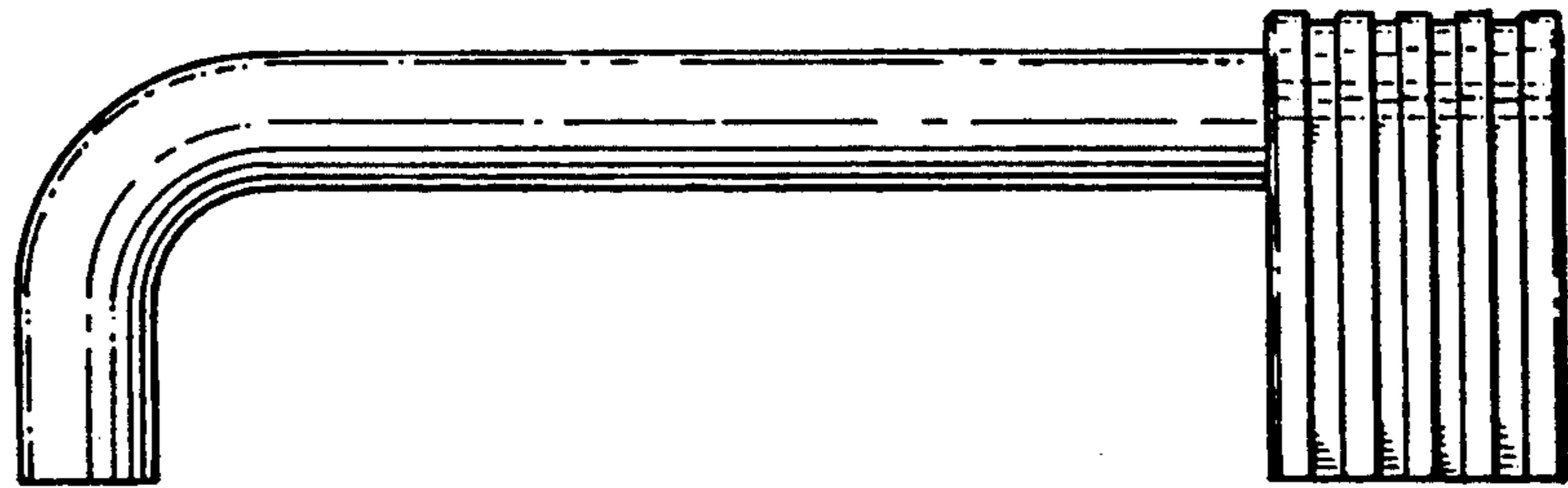


FIG. 3

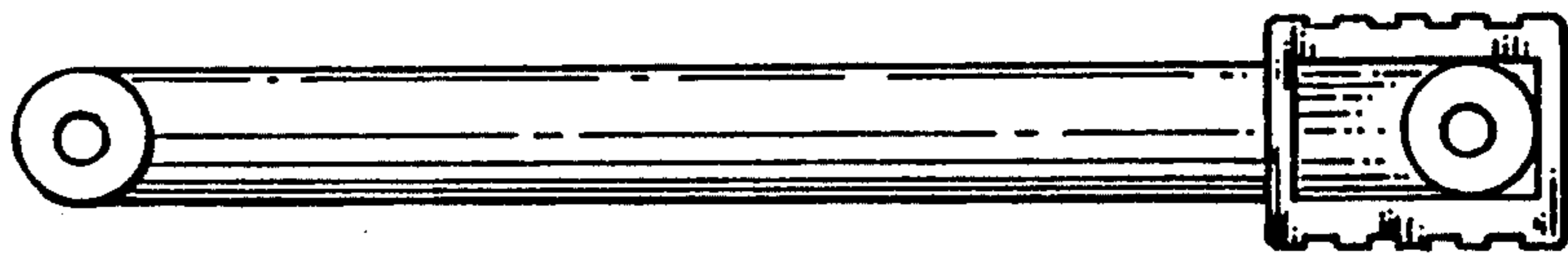


FIG. 4