



US00D329580S

# United States Patent [19]

Sasaki et al.

[11] Patent Number: **Des. 329,580**

[45] Date of Patent: **\*\* Sep. 22, 1992**

[54] **PORTABLE ELECTRIC DRIVER**

D. 321,116 10/1991 Wan ..... D8/68

[75] Inventors: **Yuichiro Sasaki; Toshiaki Uchida,**  
both of Ibaragi, Japan

**FOREIGN PATENT DOCUMENTS**

596314 2/1986 Japan .

595750 4/1989 Japan .

[73] Assignee: **Hitachi Koki Co., Ltd.,** Tokyo, Japan

[\*\*] Term: **14 Years**

*Primary Examiner*—Donald P. Walsh  
*Assistant Examiner*—J. H. Musgrove  
*Attorney, Agent, or Firm*—Sughrue, Mion, Zinn,  
Macpeak & Seas

[21] Appl. No.: **527,795**

[22] Filed: **May 24, 1990**

[57] **CLAIM**

The ornamental design for a portable electric driver, as shown.

[30] **Foreign Application Priority Data**

Nov. 24, 1989 [JP] Japan ..... 1-42782

[52] U.S. Cl. .... **D8/68**

[58] Field of Search ..... **D8/61, 68; 81/54, 57.11,**  
**81/57.13; 173/170; 408/124, 125**

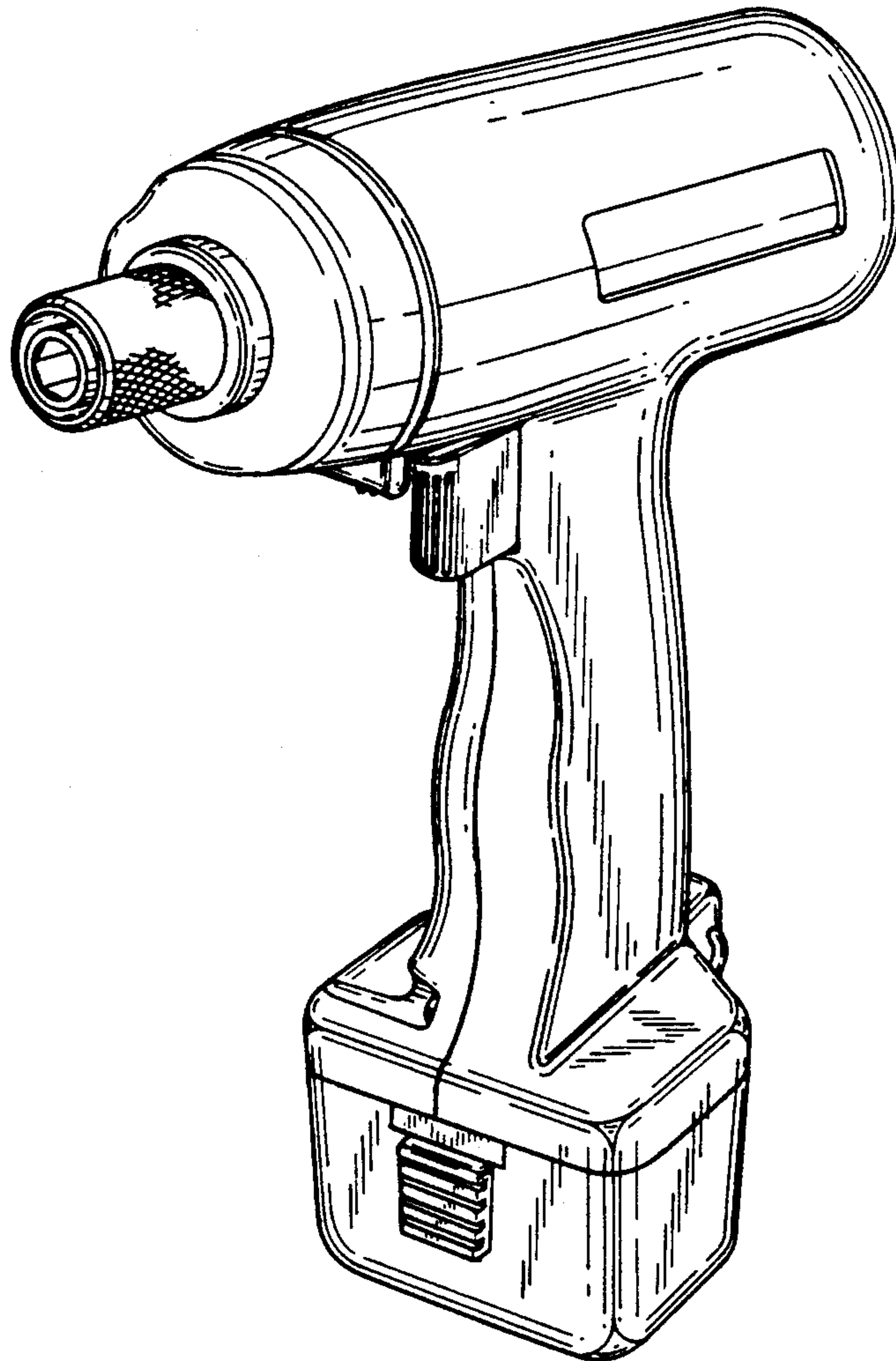
**DESCRIPTION**

FIG. 1 is a front, top and right side perspective view of a portable electric driver showing our new design; FIG. 2 is a right side elevational view thereof; FIG. 3 is a left side elevational view thereof; FIG. 4 is a front elevational view thereof; FIG. 5 is a rear elevational view thereof; FIG. 6 is a top plan view thereof; and, FIG. 7 is a bottom plan view thereof.

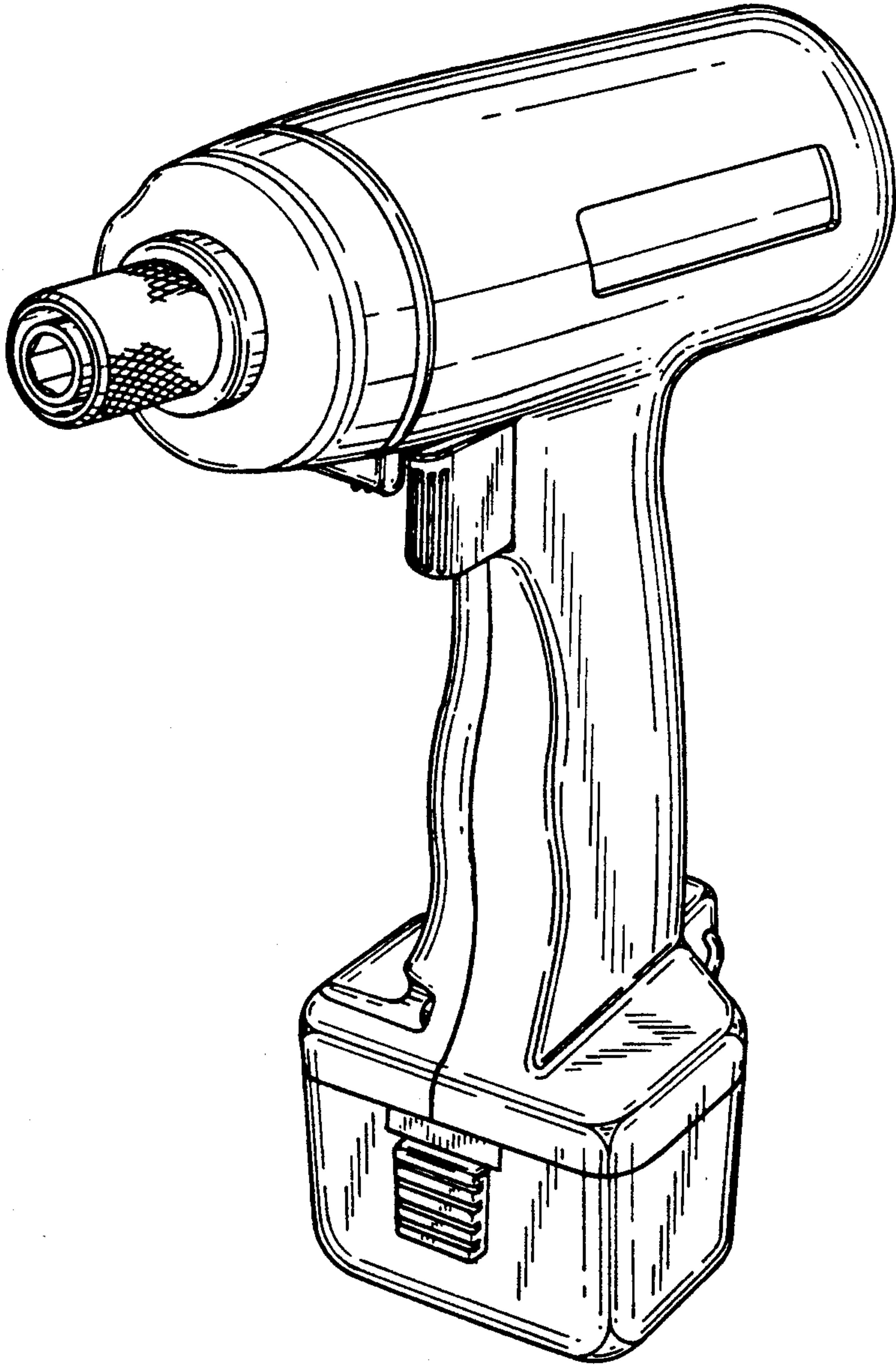
[56] **References Cited**

**U.S. PATENT DOCUMENTS**

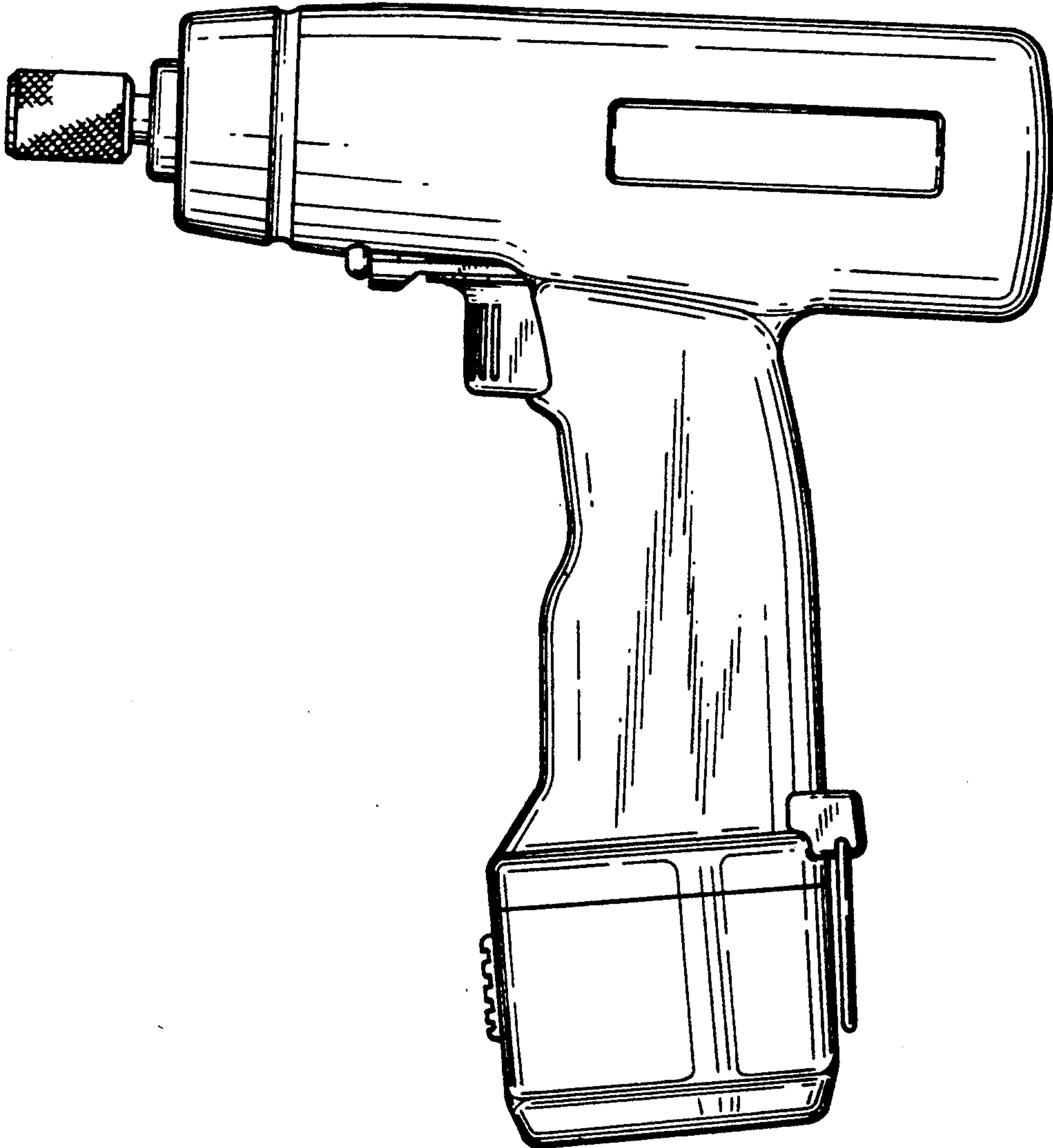
- D. 259,392 6/1981 Elmessaar et al. .... D8/68
- D. 275,728 10/1984 Totsu ..... D8/68
- D. 315,282 3/1991 Schmidt et al. .... D8/68
- D. 320,917 10/1991 Fushiya et al. .... D8/68



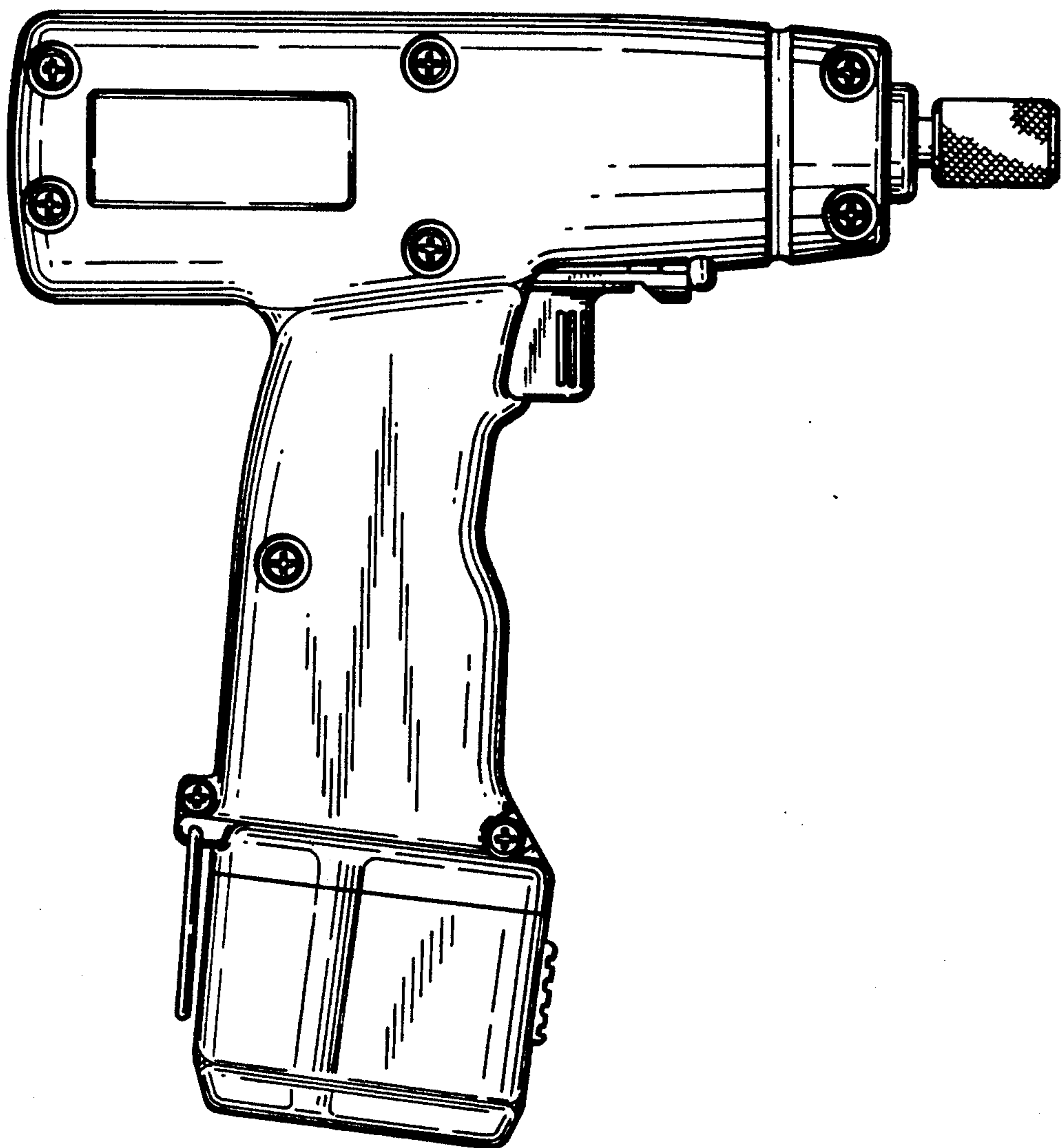
*Fig. 1*



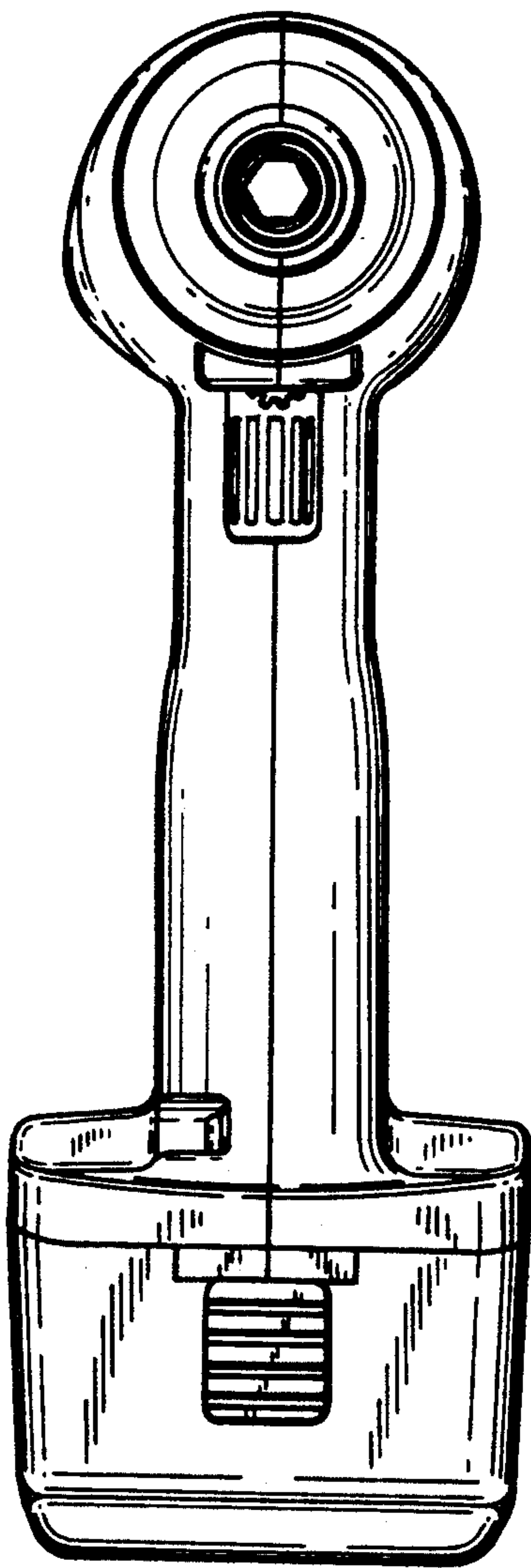
*Fig. 2*



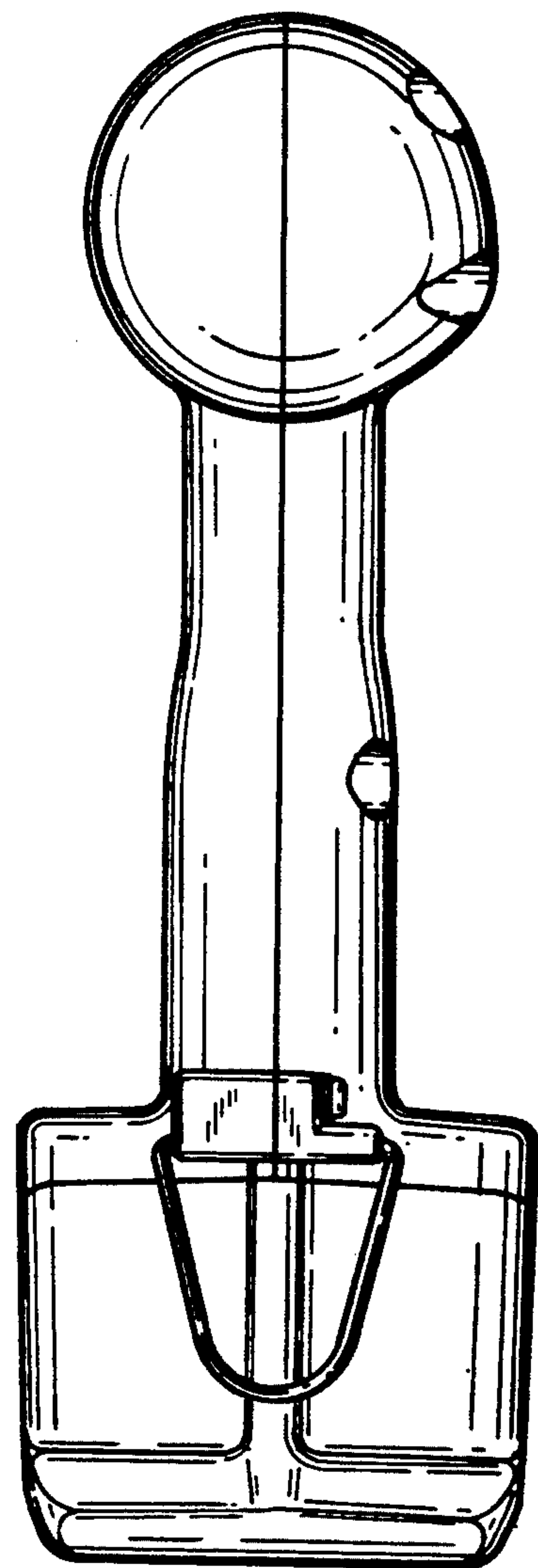
*Fig. 3*



*Fig. 4*

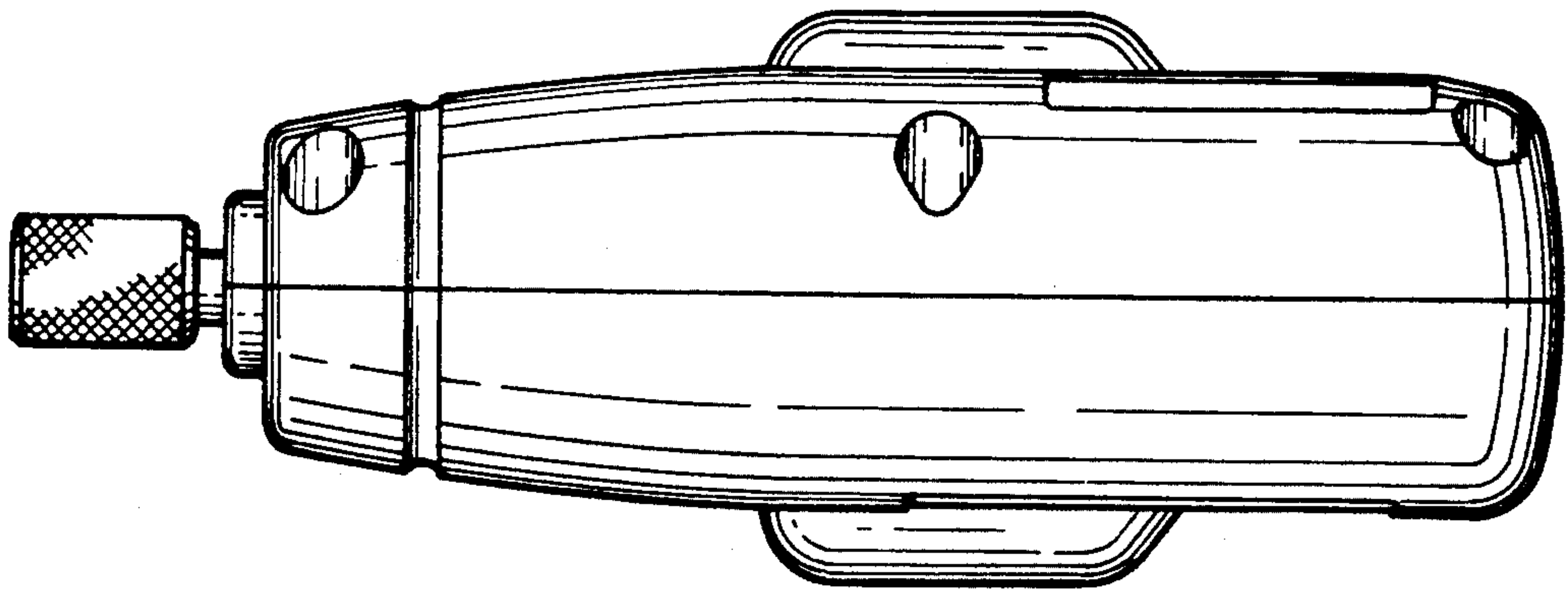


*Fig. 5*





*Fig. 6*



*Fig. 7*

