



US00D329573S

United States Patent [19]
Picard

[11] **Patent Number: Des. 329,573**
[45] **Date of Patent: ** Sep. 22, 1992**

[54] **CONTAINER STORAGE ASSEMBLY**
[76] **Inventor: Serge Picard, 8340 de la Brise,
Charny, Quebec, Canada, G6X-1E7**
[**] **Term: 14 Years**
[21] **Appl. No.: 529,274**
[22] **Filed: May 30, 1990**
[52] **U.S. Cl. D7/616**
[58] **Field of Search D7/616-618,
D7/589, 590; 211/13, 71, 74, 78, 95, 163**

Primary Examiner—Terry A. Pfeffer
Attorney, Agent, or Firm—Terry M. Gernstein

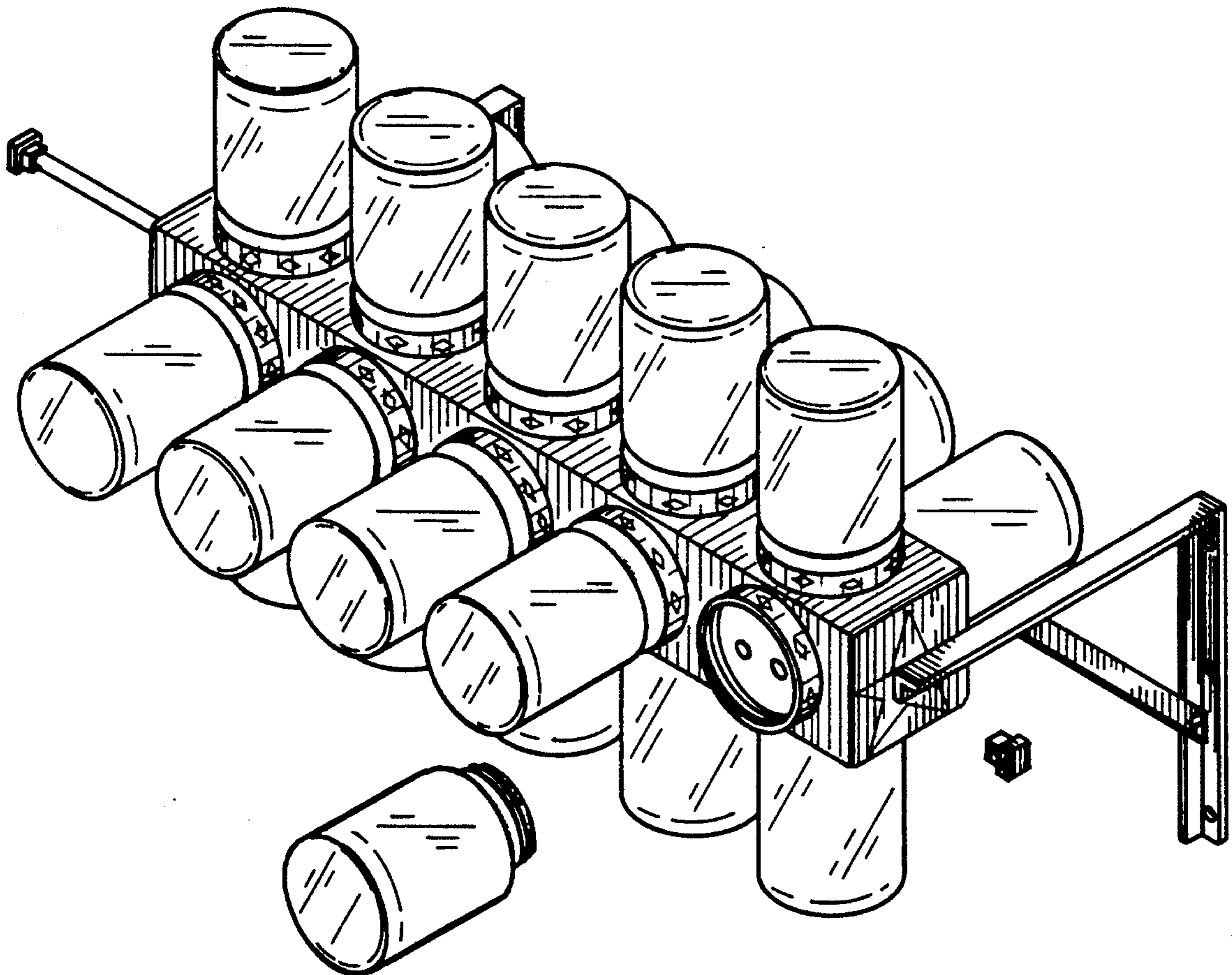
[57] **CLAIM**

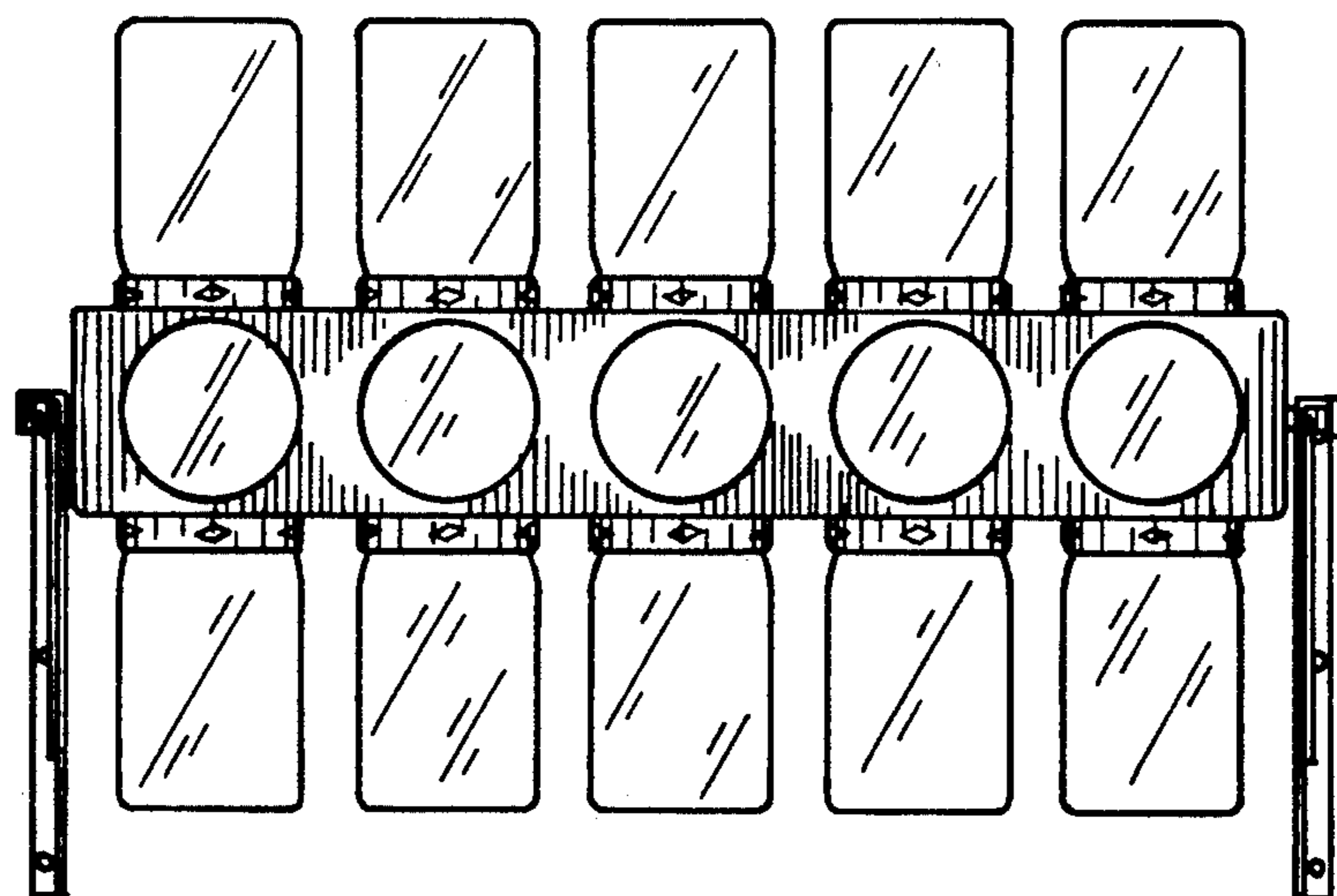
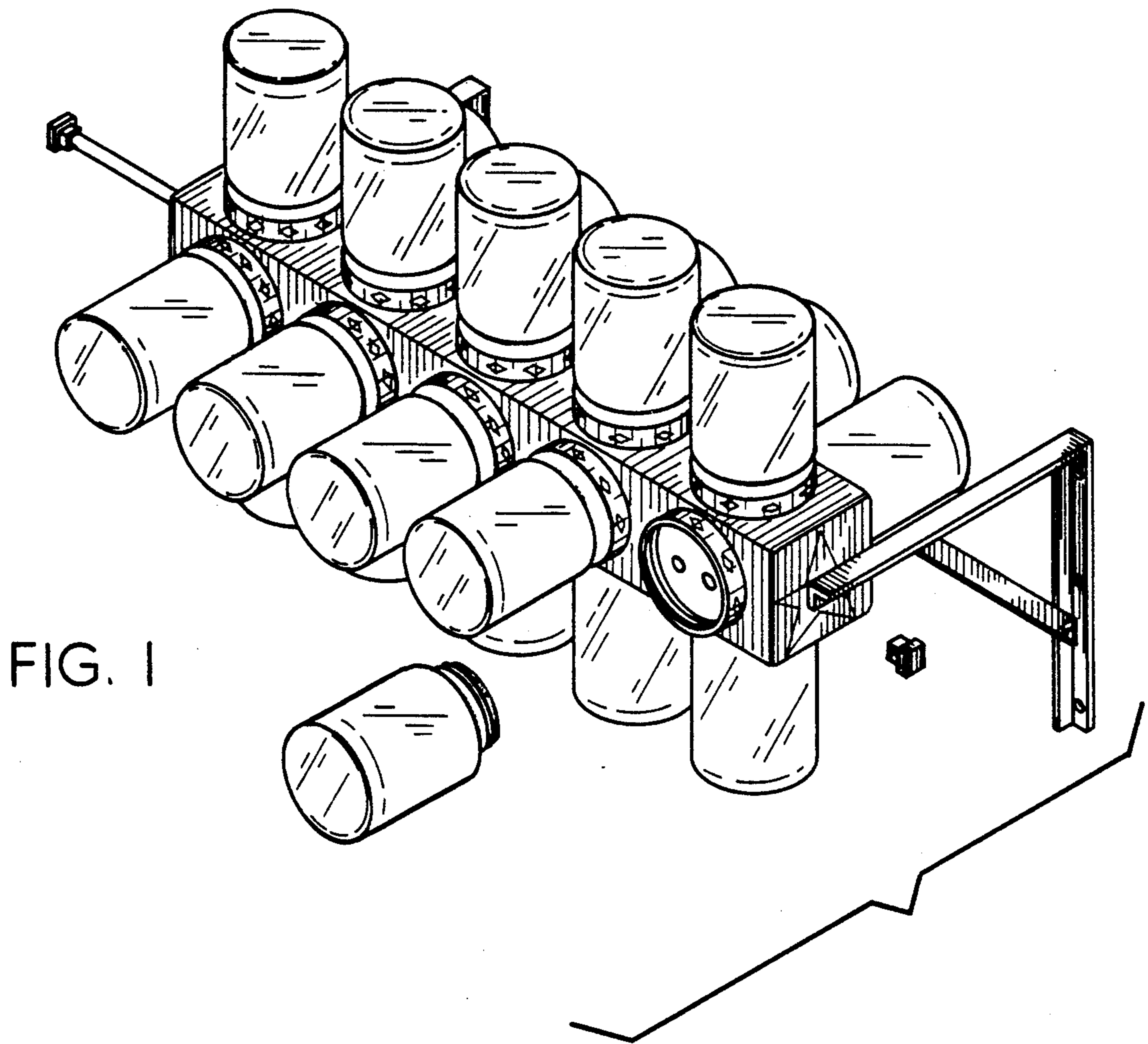
The ornamental design for a container storage assembly, as shown and described.

DESCRIPTION

FIG. 1 is a perspective view of a container storage assembly showing my new design, one jar being shown in an exploded view;
FIG. 2 is a front elevational view thereof;
FIG. 3 is a rear elevational view thereof;
FIG. 4 is a left side elevational view thereof;
FIG. 5 is a right side elevational thereof;
FIG. 6 is a top plan view thereof; and,
FIG. 7 is a bottom plan view thereof.

[56] **References Cited**
U.S. PATENT DOCUMENTS
D. 170,615 10/1953 Troha .
D. 250,156 11/1978 Tafoya .
D. 278,585 4/1985 Oldham .





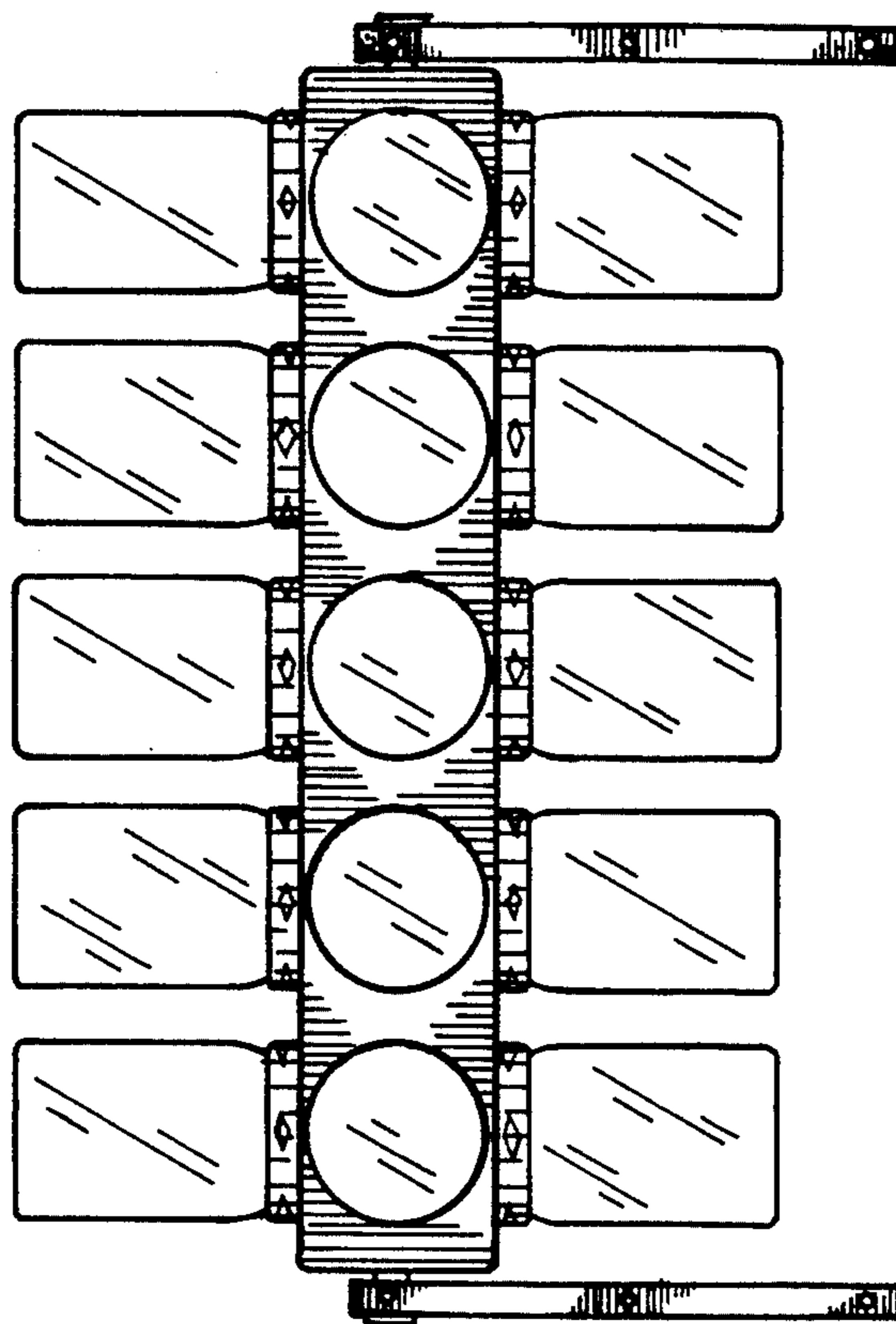


FIG. 3

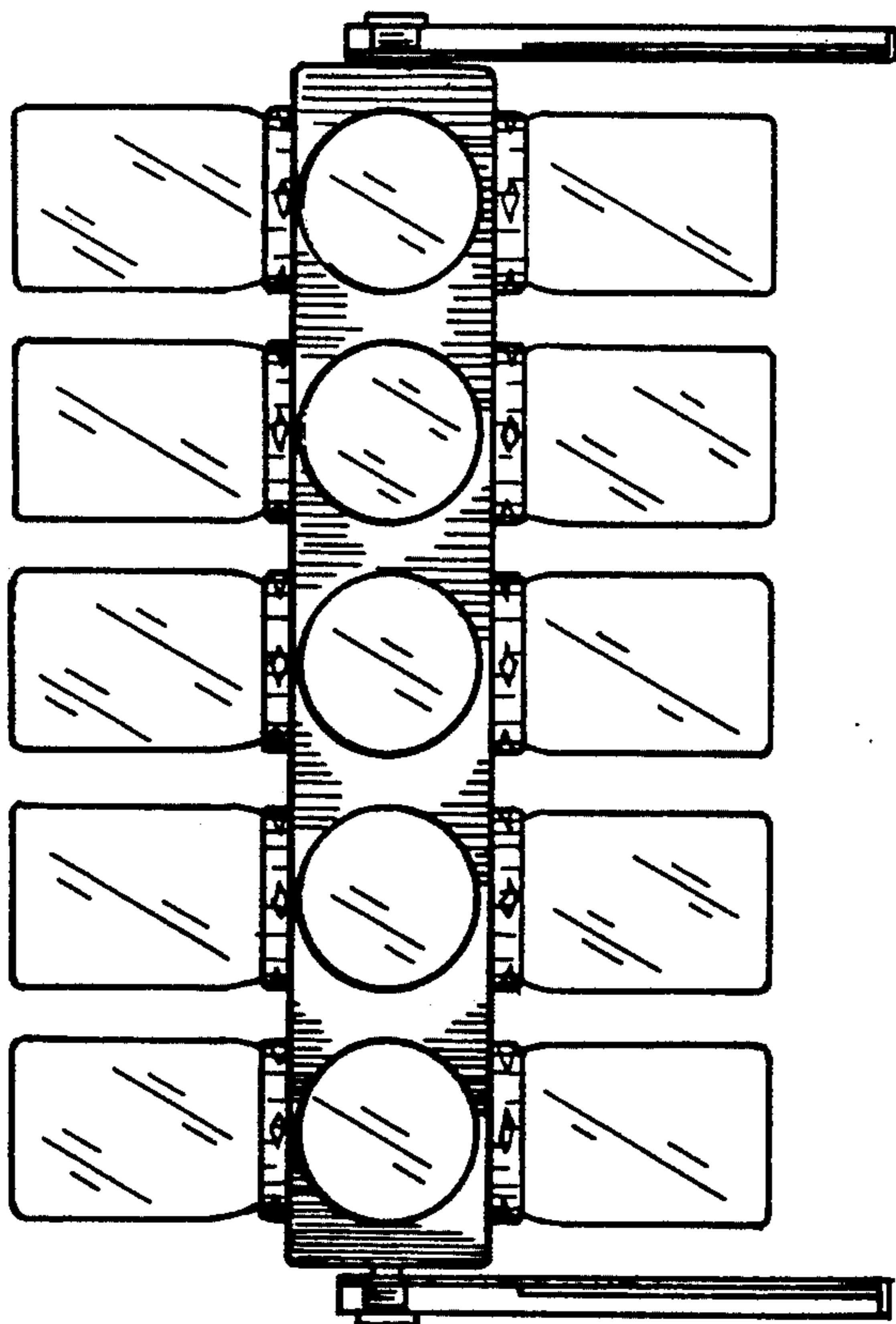


FIG. 2

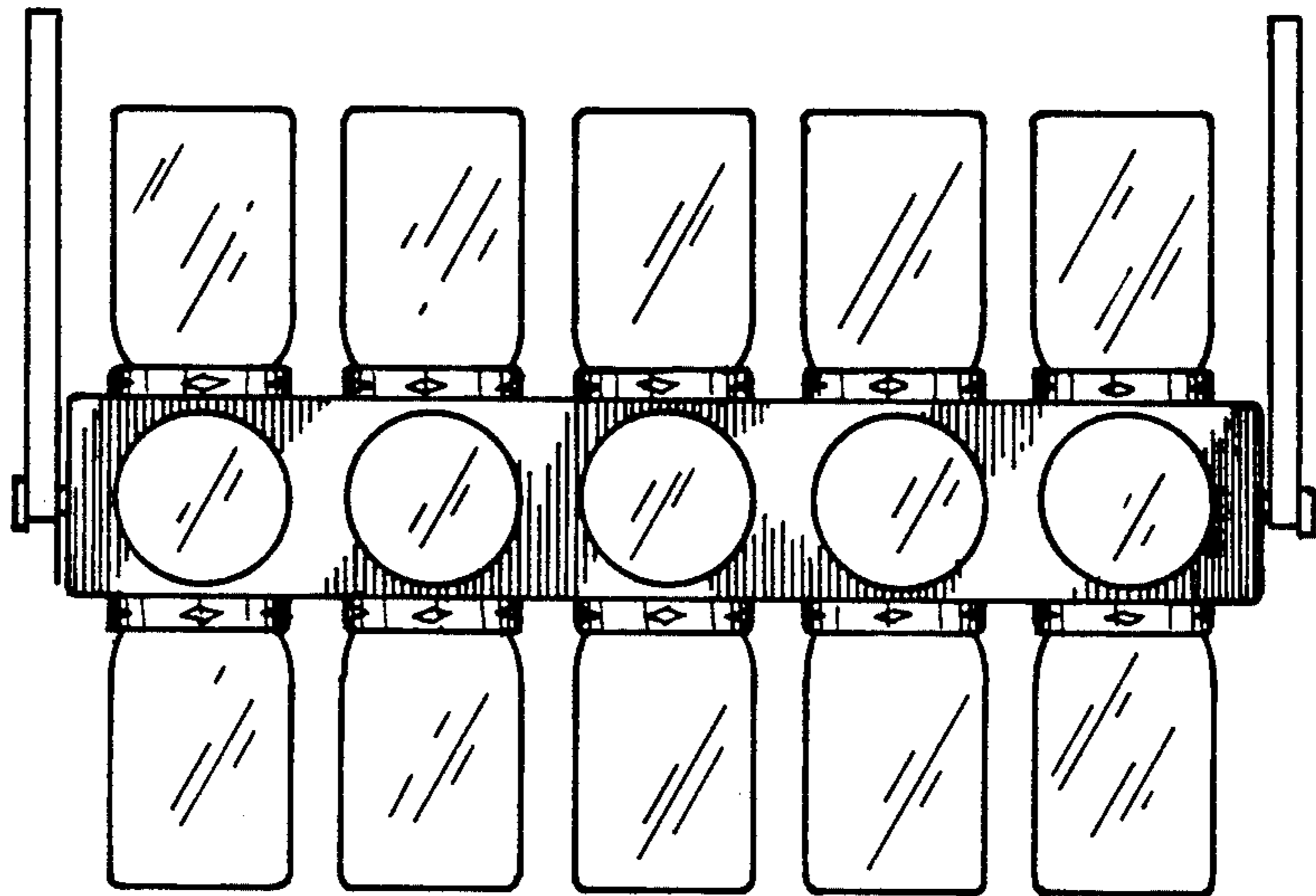


FIG. 6

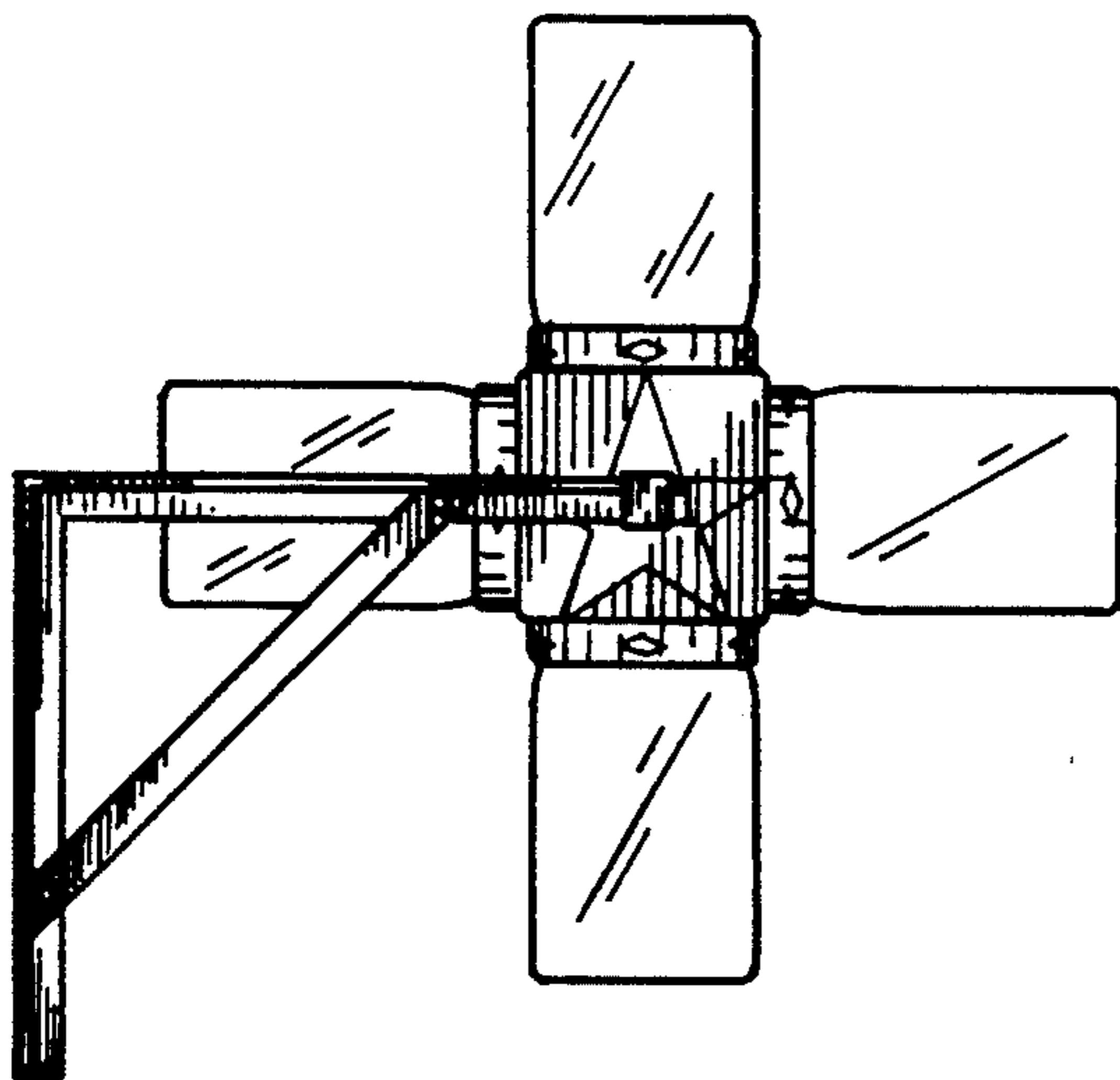


FIG. 4

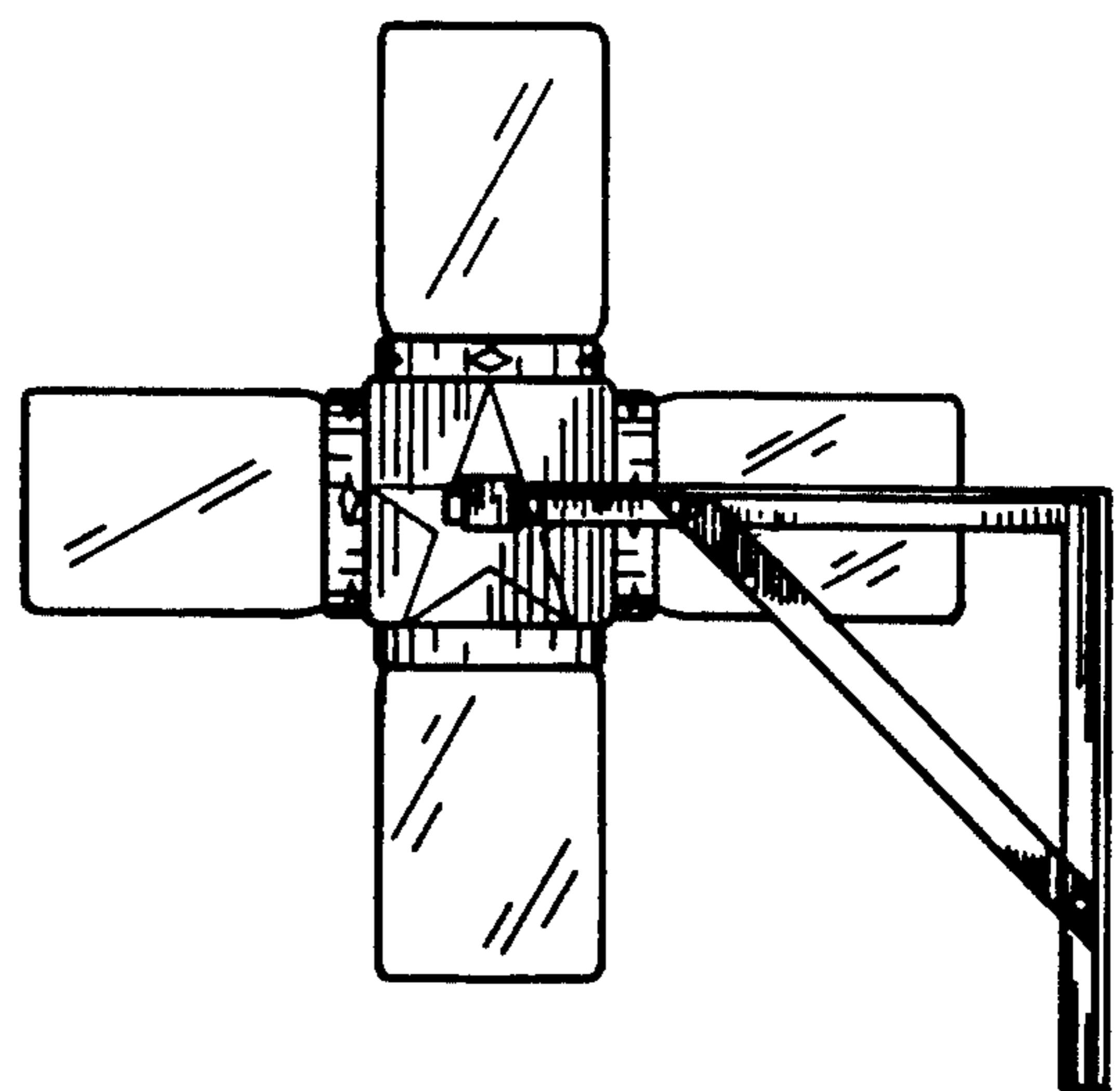


FIG. 5