



US00D329571S

# United States Patent [19]

[11] Patent Number: **Des. 329,571**

**Fehon**

[45] Date of Patent: **\*\* Sep. 22, 1992**

[54] **ELECTRIC TOASTER BASE**

[75] Inventor: **Bernard P. Fehon**, Mount Riverview, Australia

[73] Assignee: **Sunbeam Corporation Limited**, Campsie, Australia

[\*\*] Term: **14 Years**

[21] Appl. No.: **450,385**

[22] Filed: **Dec. 14, 1989**

[30] **Foreign Application Priority Data**

Sep. 6, 1989 [AU] Australia ..... 2885/89  
[52] U.S. Cl. .... **D7/390**  
[58] Field of Search ..... D7/328-330,  
D7/387, 390; 99/327, 331, 388, 389, 391

[56] **References Cited**

**U.S. PATENT DOCUMENTS**

D. 118,065 12/1939 Anderson et al. .... D7/390

D. 287,808 1/1987 Stutzer et al. .... D7/328 X  
D. 300,798 4/1989 Tow ..... D7/330  
D. 315,272 3/1991 Moore et al. .... D7/330

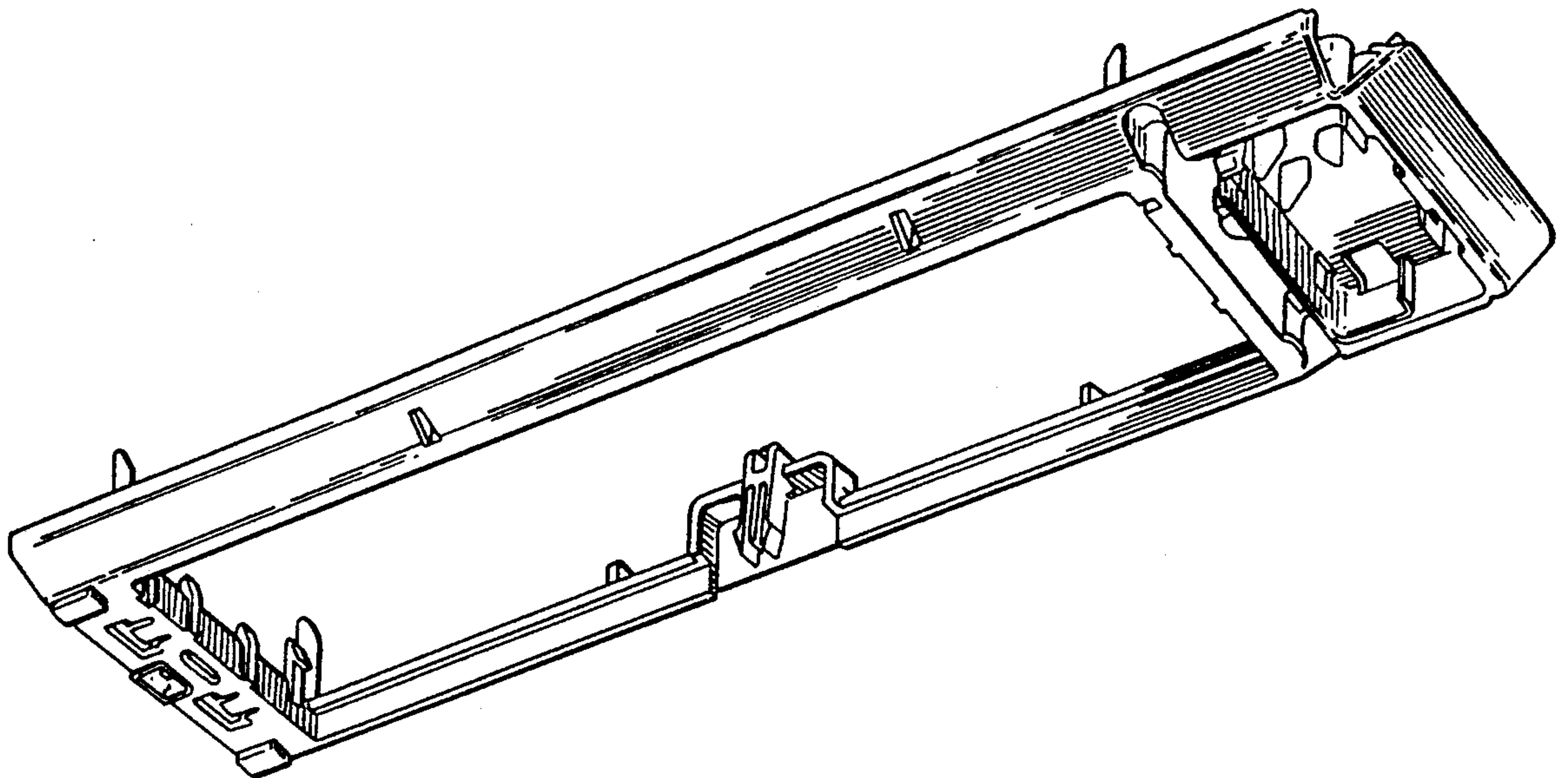
*Primary Examiner*—Carmen H. Vales-Lado  
*Assistant Examiner*—Caron D. Veynar  
*Attorney, Agent, or Firm*—Ladas & Parry

[57] **CLAIM**

The ornamental design for electric toaster base, as shown.

**DESCRIPTION**

FIG. 1 is a top perspective view of an electric toaster base showing my new design;  
FIG. 2 is a bottom perspective view thereof;  
FIG. 3 is a top plan view thereof;  
FIG. 4 is a rear elevational view, the front elevational view being a mirror image thereof;  
FIG. 5 is a bottom plan view thereof;  
FIG. 6 is a left side elevational view thereof; and,  
FIG. 7 is a right side elevational view thereof.



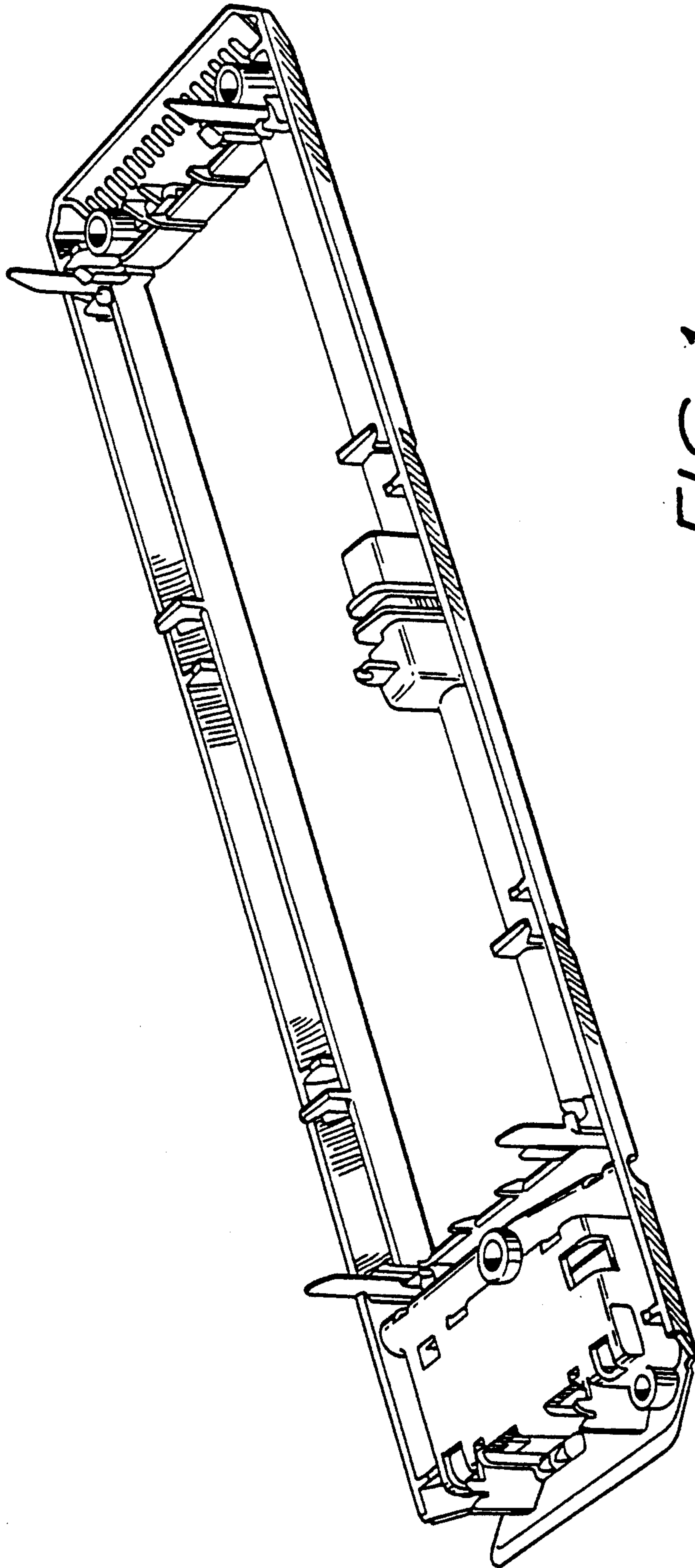


FIG. 1

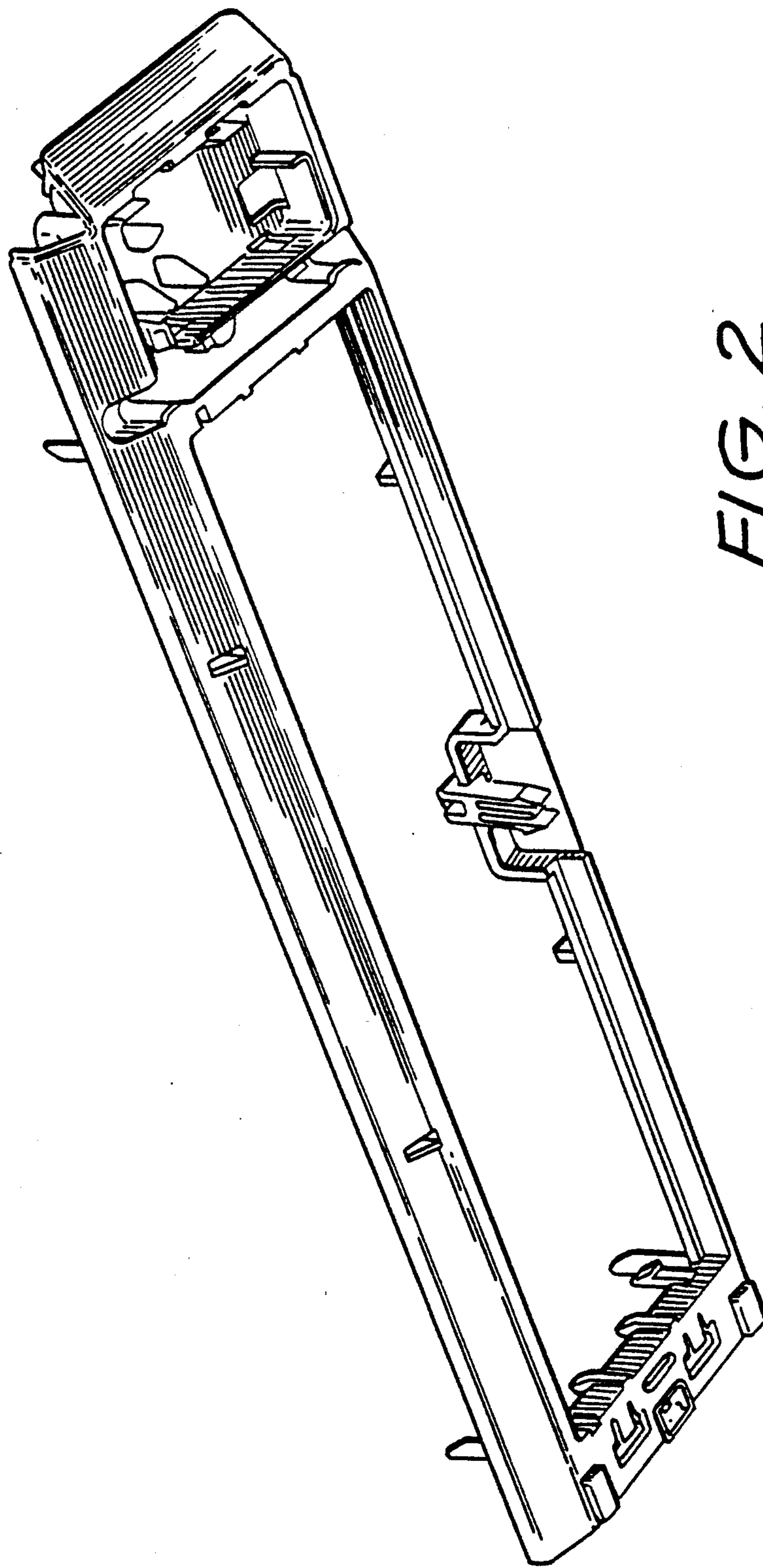


FIG. 2



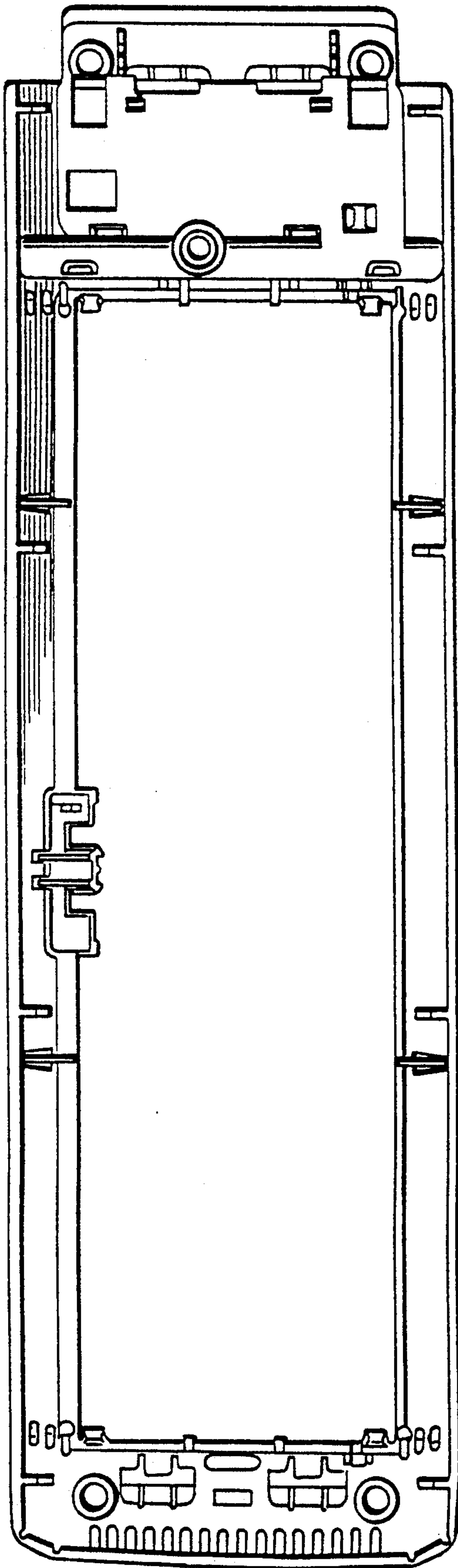


FIG. 3

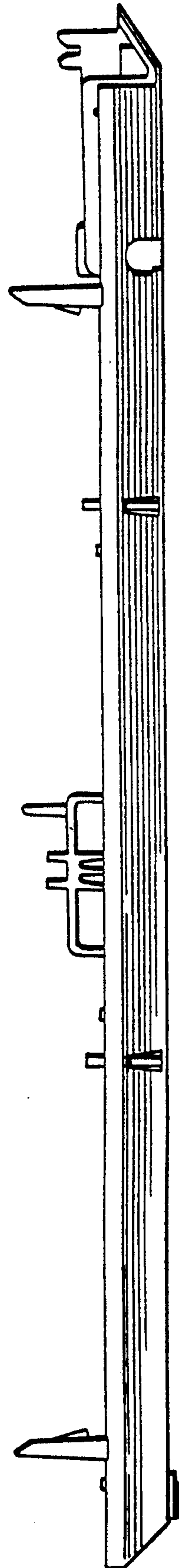


FIG. 4

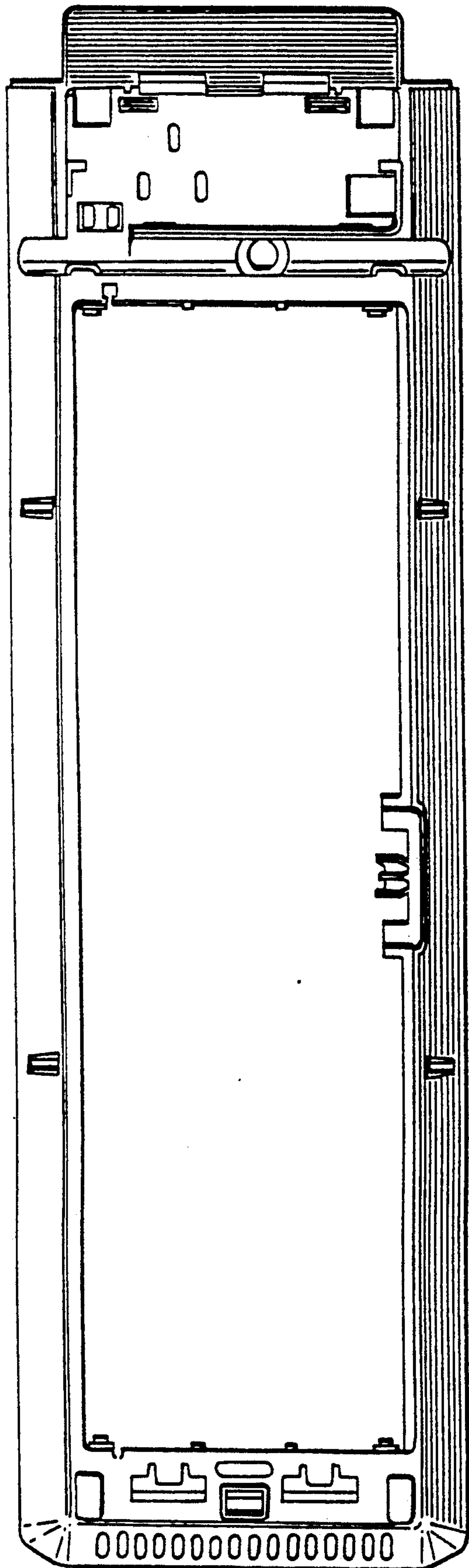


FIG. 5

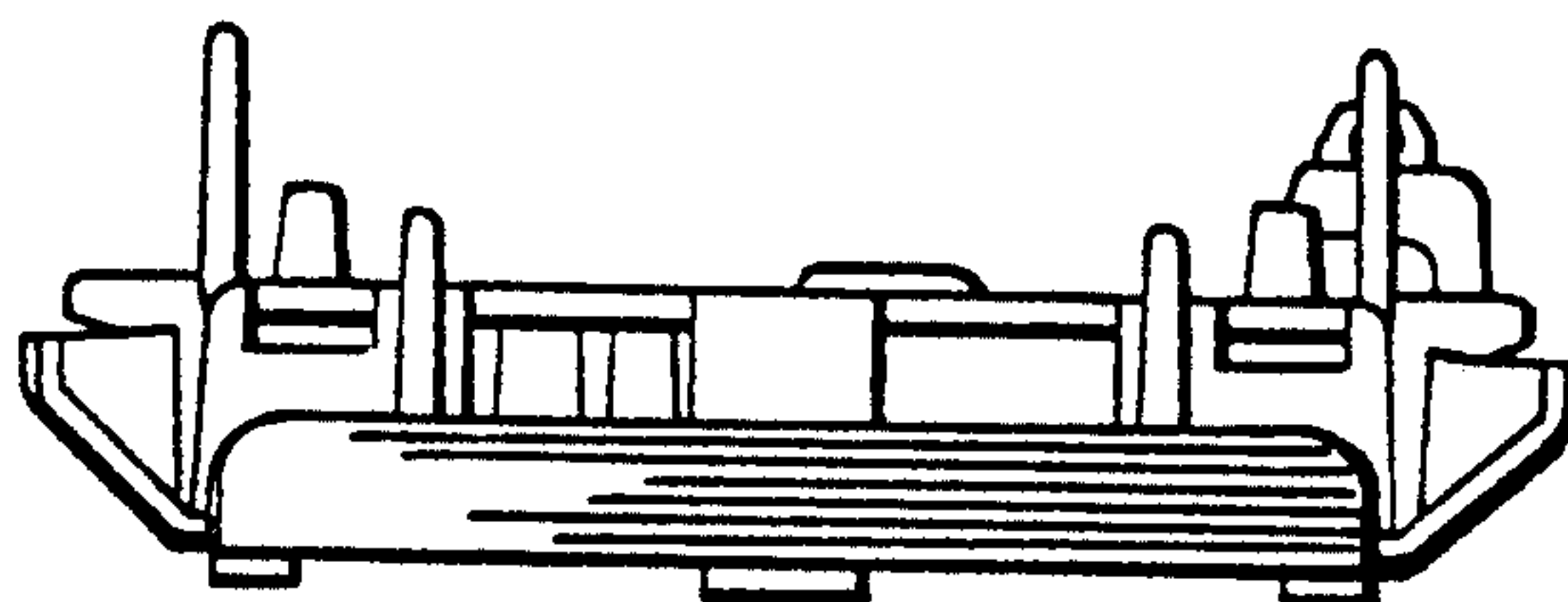


FIG. 6

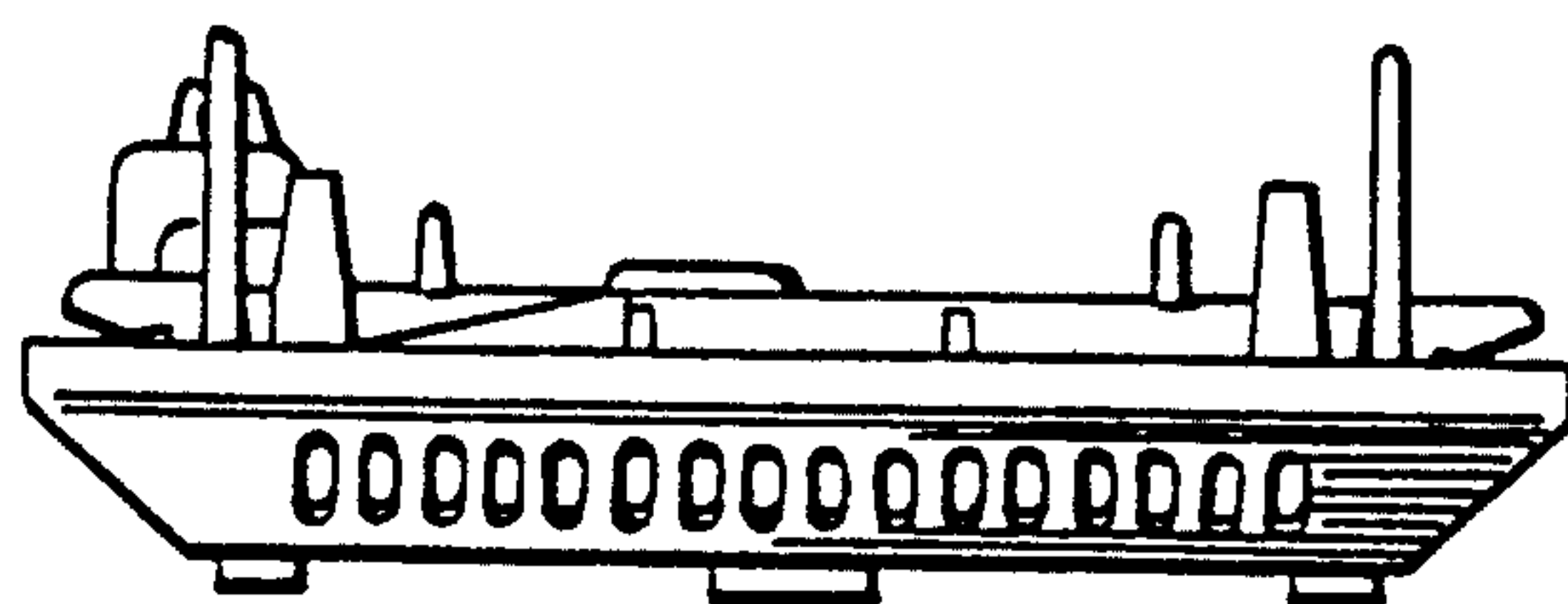


FIG. 7