



US00D329562S

United States Patent [19]

[11] Patent Number: **Des. 329,562**

McKeone et al.

[45] Date of Patent: **** Sep. 22, 1992**

[54] COMBINATION TOOTHBRUSH AND TUMBLER HOLDER OR THE LIKE

[75] Inventors: **William C. McKeone; Mary J. Reid,** both of Sheboygan, Wis.

[73] Assignee: **Kohler Co., Kohler, Wis.**

[**] Term: **14 Years**

[21] Appl. No.: **476,106**

[22] Filed: **Jan. 26, 1990**

Related U.S. Application Data

[63] Continuation of Ser. No. 332,669, Mar. 31, 1989, abandoned.

[52] U.S. Cl. **D6/531; D6/527**

[58] Field of Search **D6/524, 527-529, D6/531, 534-535; 211/13, 60.1, 70.6, 70.7, 71, 86-88, 90, 126, 134**

[56] References Cited

U.S. PATENT DOCUMENTS

D. 253,504	11/1979	Grosfillex	D6/531
D. 267,528	1/1983	Cohen	D6/531
D. 291,519	8/1987	Chap	D6/534 X
D. 294,093	2/1988	Tegner	D6/534 X
D. 298,710	11/1988	Fayerman et al.	D6/531
D. 299,095	12/1988	Gresons et al.	D6/524
D. 299,096	12/1988	Fayerman et al.	D6/531
D. 299,097	12/1988	Fayerman et al.	D6/540
D. 299,098	12/1988	Fayerman et al.	D6/540
D. 312,183	11/1990	Chap et al.	D6/531

OTHER PUBLICATIONS

Page 23 from a Kohler Co. brochure showing the "Alternata" handle design, undated.

Jado advertisement showing the 031/141 tumbler holder, undated.

Harden advertisement showing the X-45-ON-9-40-0 soap dish, undated.

Page 8 from a Kohler Co. brochure showing the "Cygnet" dual glass tumbler holder, undated.

Primary Examiner—Brian N. Vinson
Attorney, Agent, or Firm—Quarles & Brady

[57] CLAIM

The ornamental design for a combination toothbrush and tumbler holder or the like, as shown and described.

DESCRIPTION

FIG. 1 is a top, front and right side perspective view of a combination toothbrush and tumbler holder or the like showing our new design;

FIG. 2 is a top plan view thereof;

FIG. 3 is a front elevational view thereof;

FIG. 4 is a right side elevational view thereof, the left side being a mirror image of that shown;

FIG. 5 is a bottom plan view thereof;

FIG. 6 is a top, front, and right side perspective view of a second embodiment thereof;

FIG. 7 is a top plan view of the embodiment of FIG. 6; FIG. 8 is a front elevational view of the embodiment of FIG. 6;

FIG. 9 is a right side elevational view of the embodiment of FIG. 6, the left side being a mirror image of that shown;

FIG. 10 is a bottom plan view of the embodiment of FIG. 6; and,

FIG. 11 is a top plan view of a third embodiment thereof, the only difference from that of the first embodiment being that it is a mirror image.

The broken-line disclosure of a portion of a wall in the views is for illustrative purposes only and forms no part of the claimed design.

The fragmentary broken line representations of walls in FIGS. 1, 6, 11 and 16, and of holes in FIGS. 11, 13, 16 and 18 are for the purposes of illustration only.

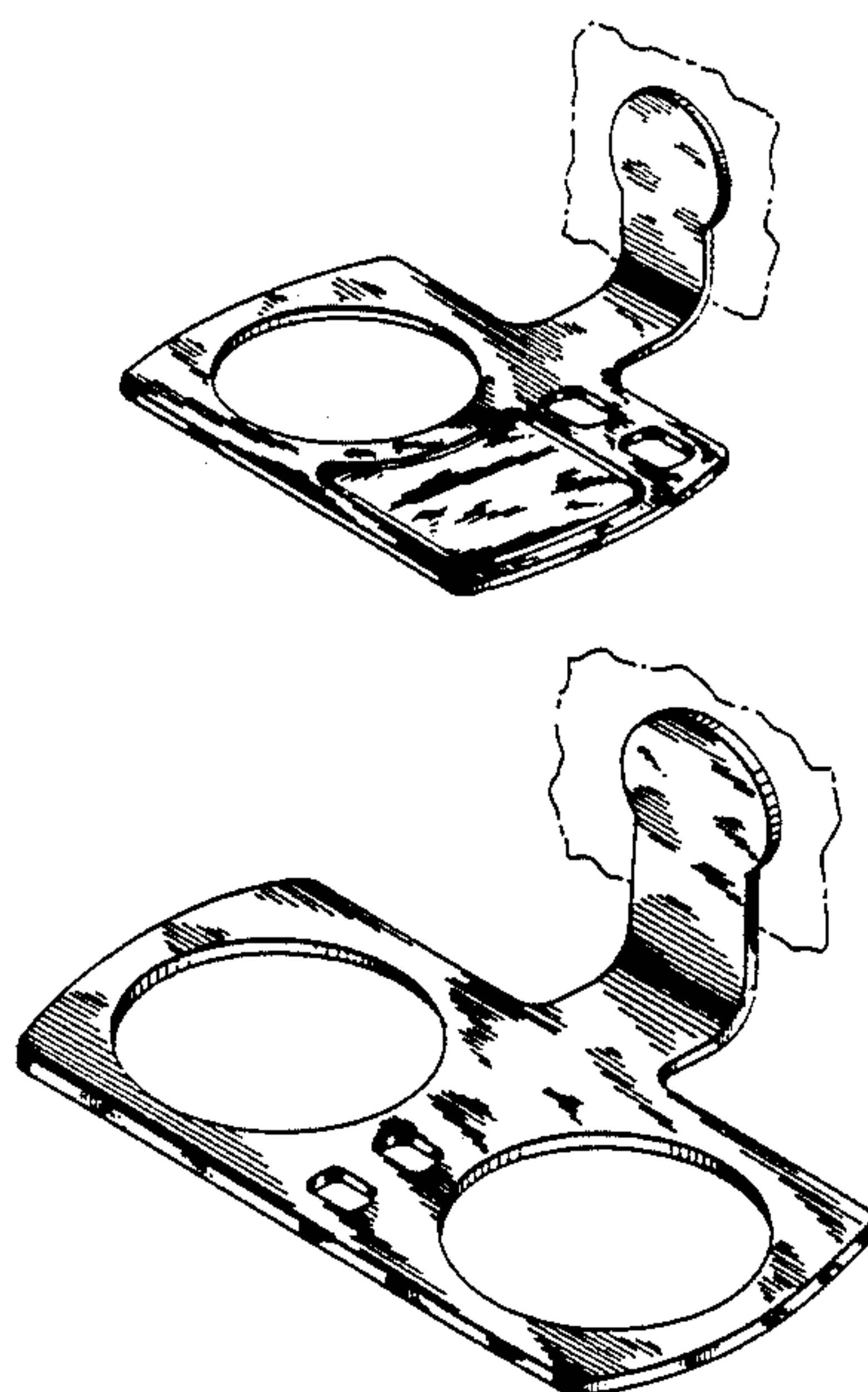


FIG. 1

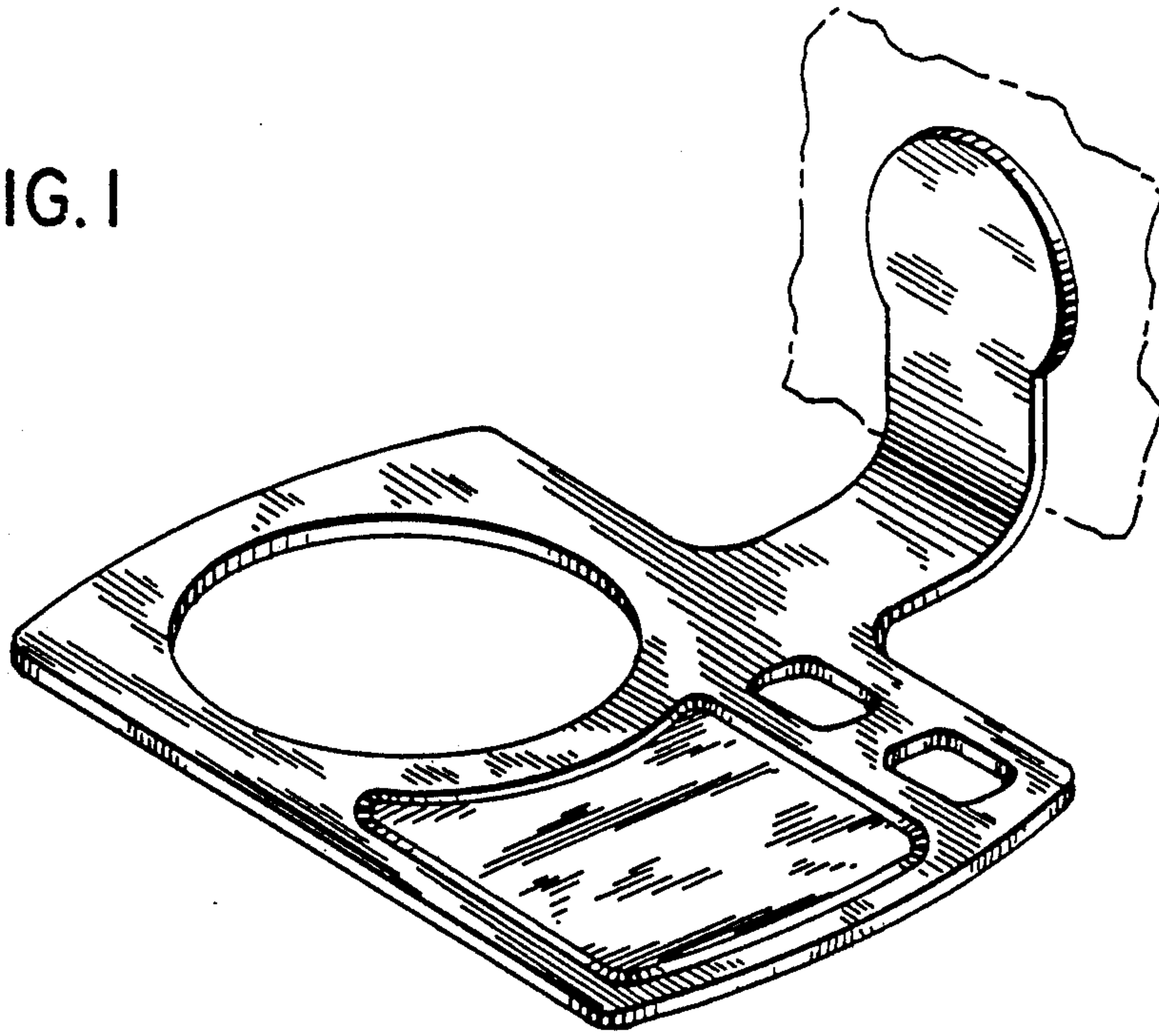
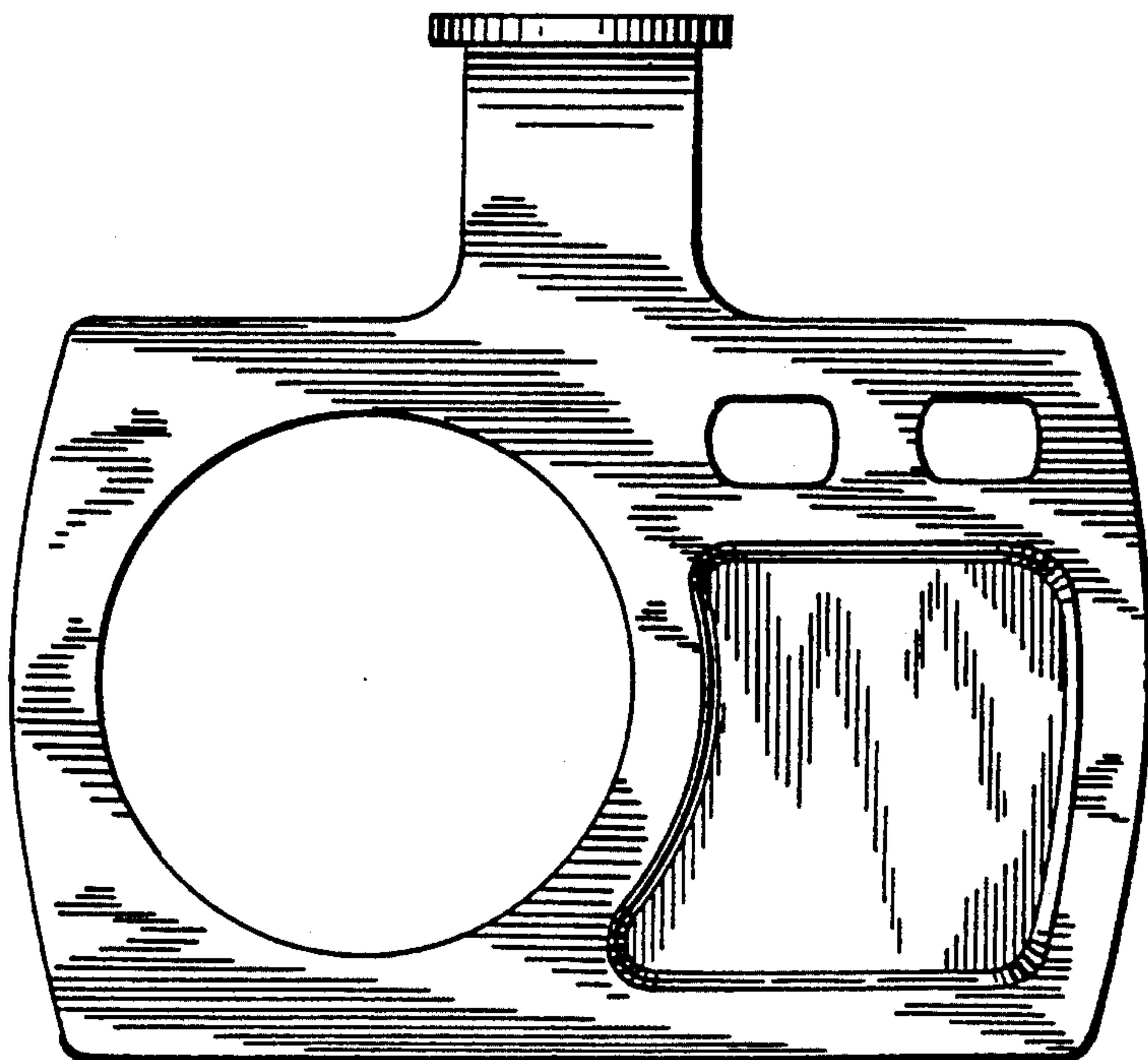


FIG. 2



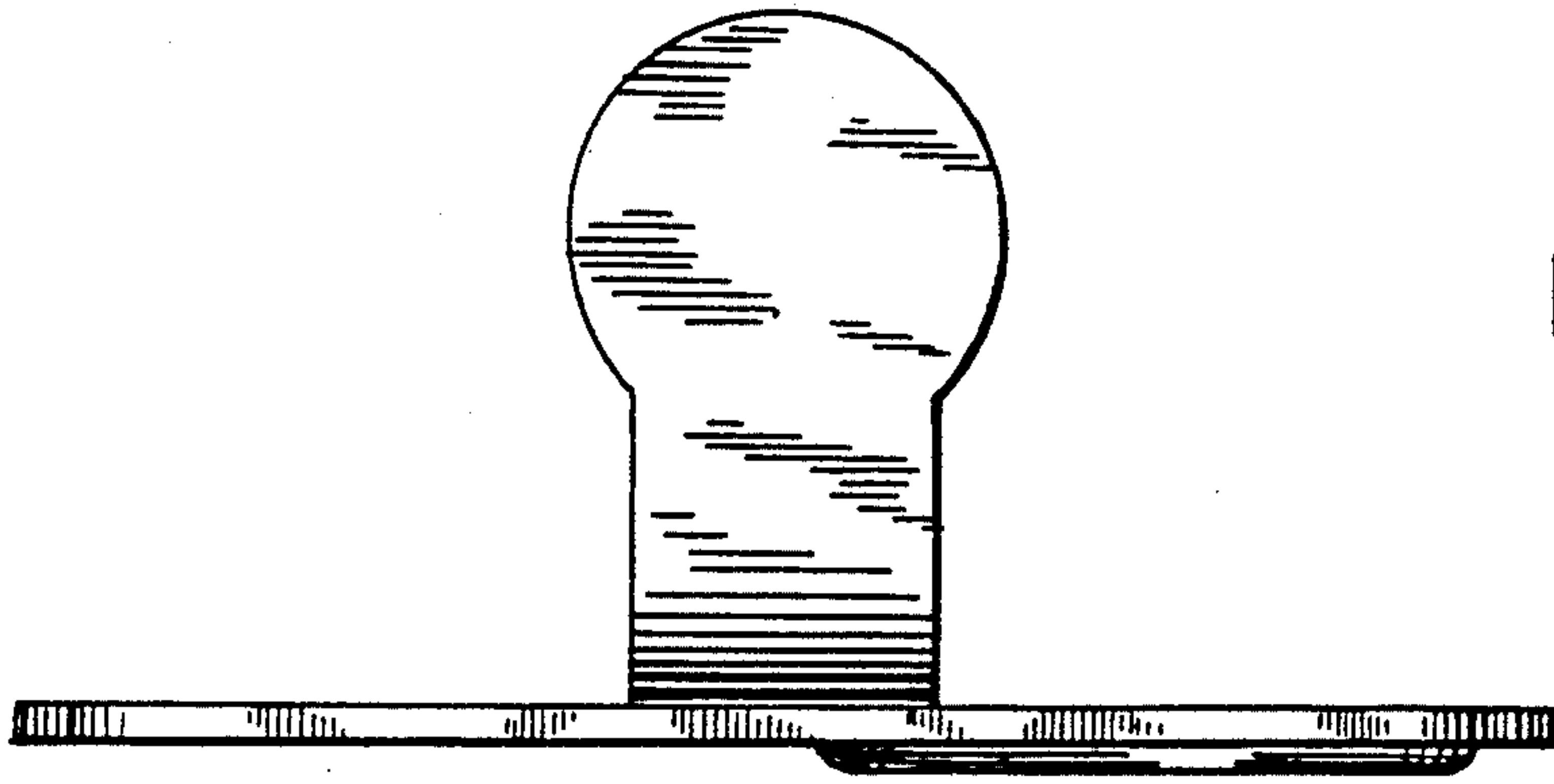


FIG. 3

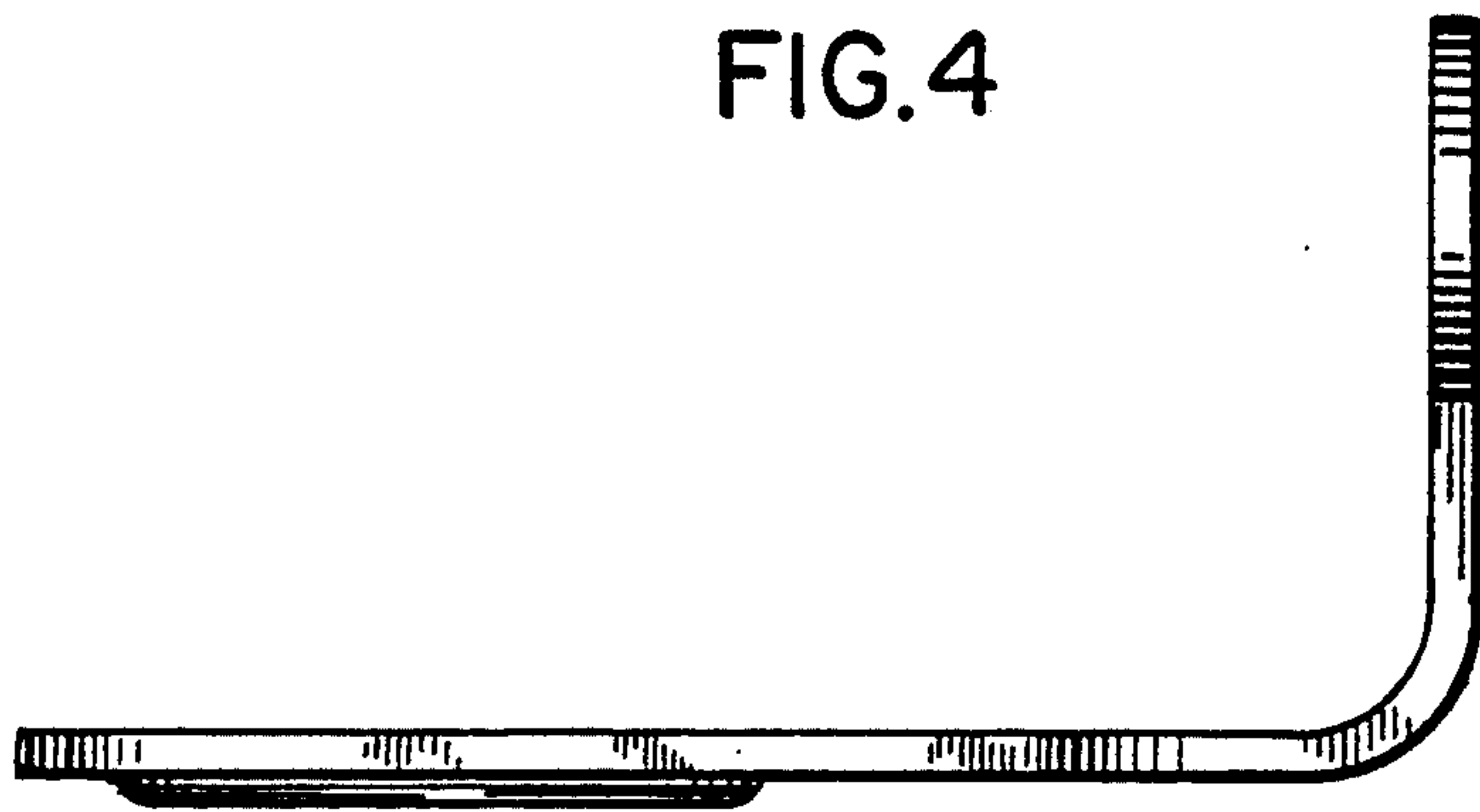


FIG. 4

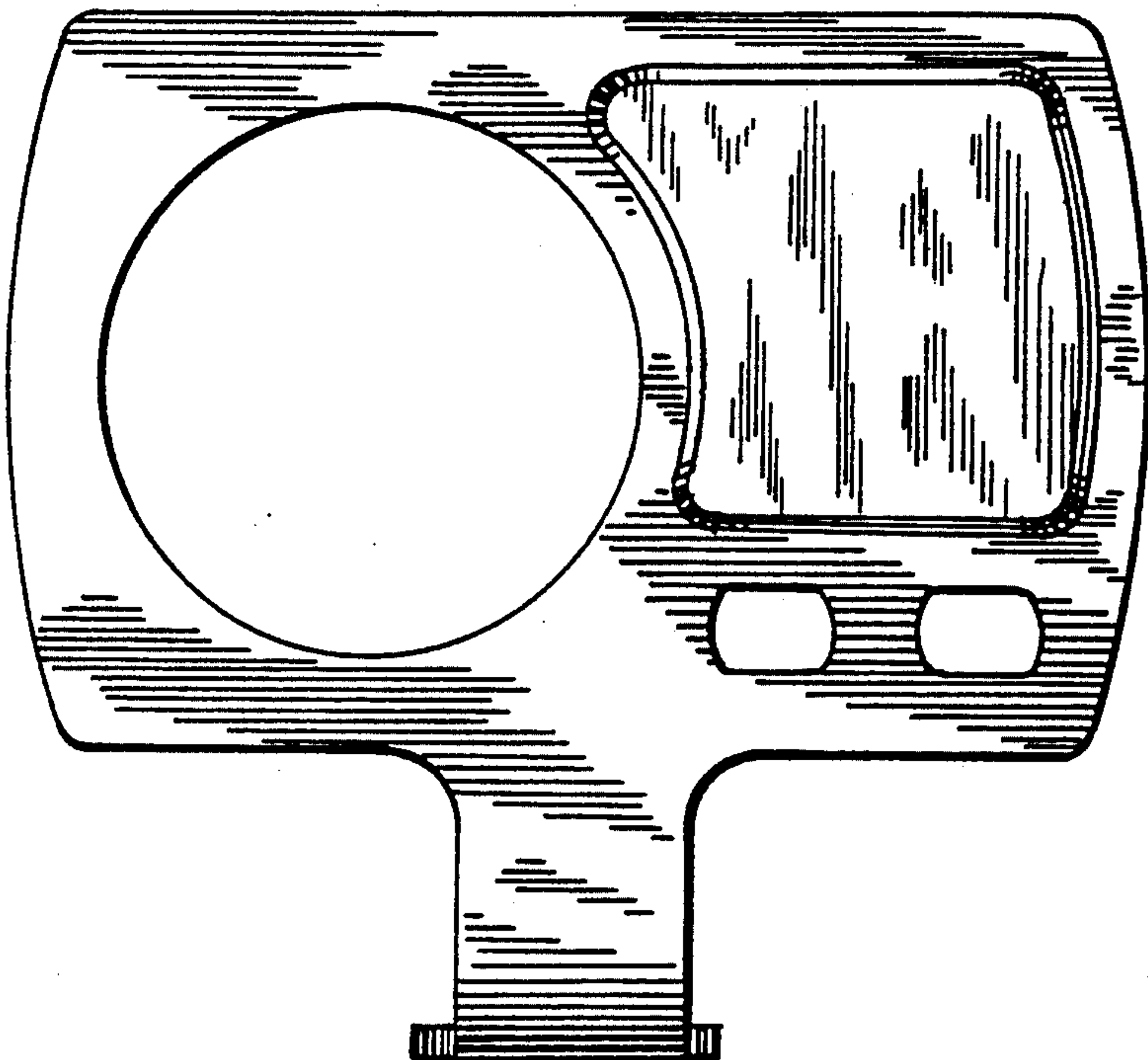


FIG. 5

FIG. 6

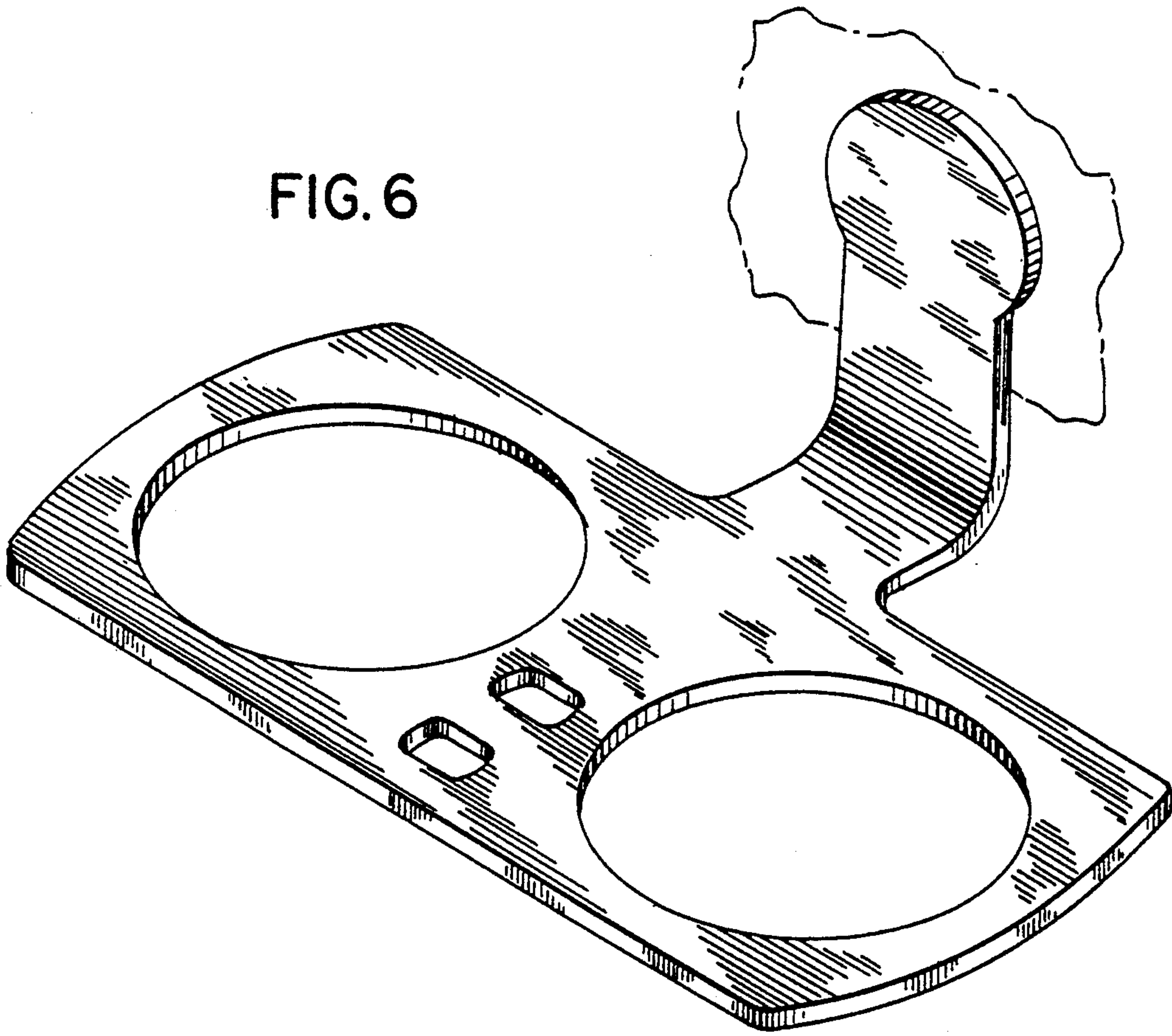
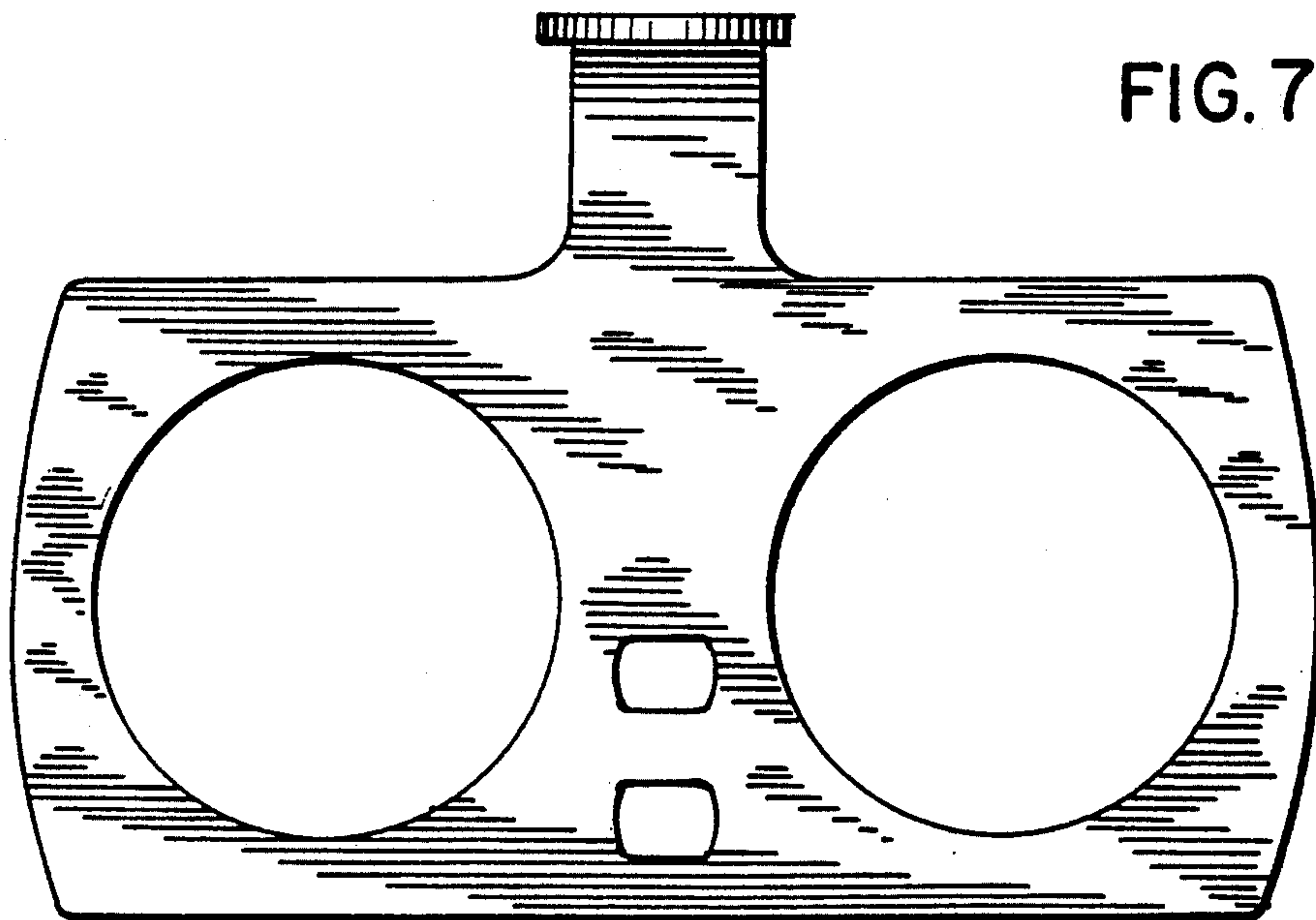


FIG. 7



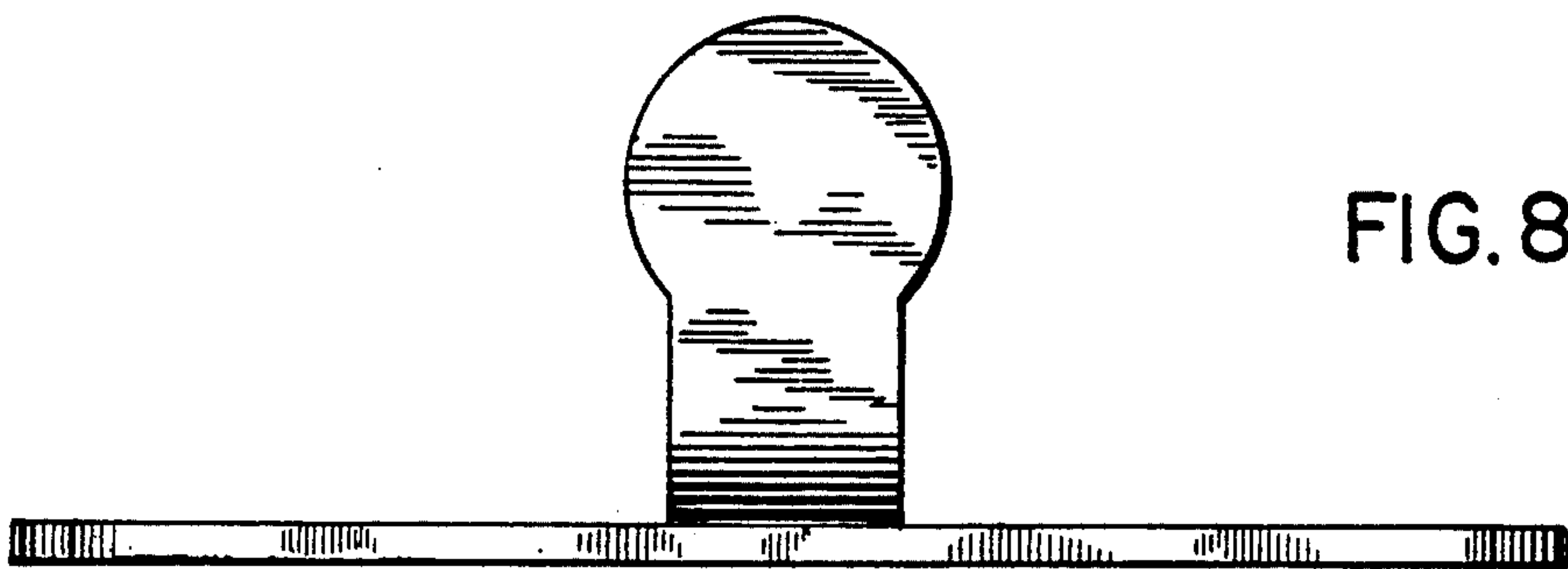


FIG. 8

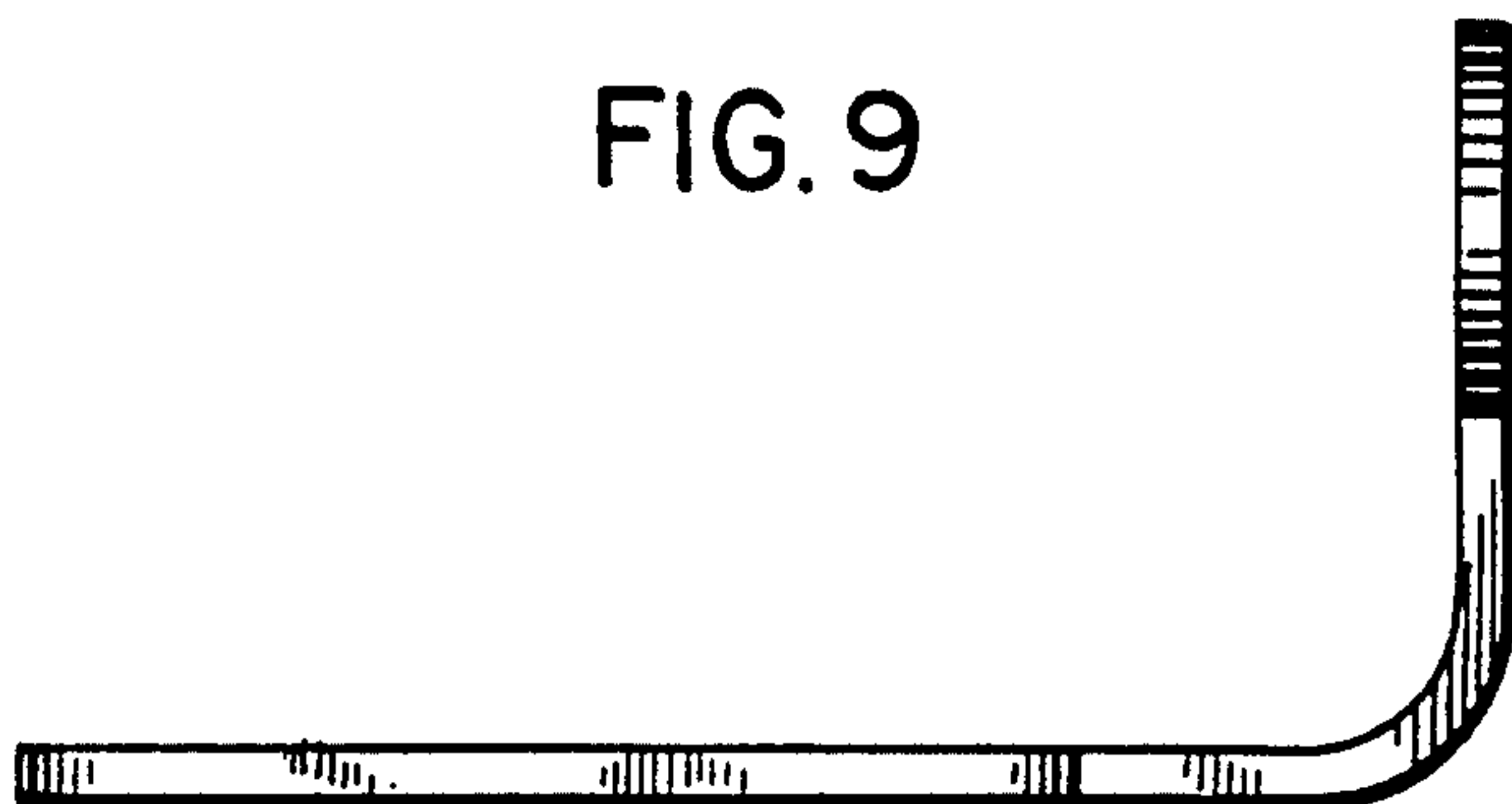


FIG. 9

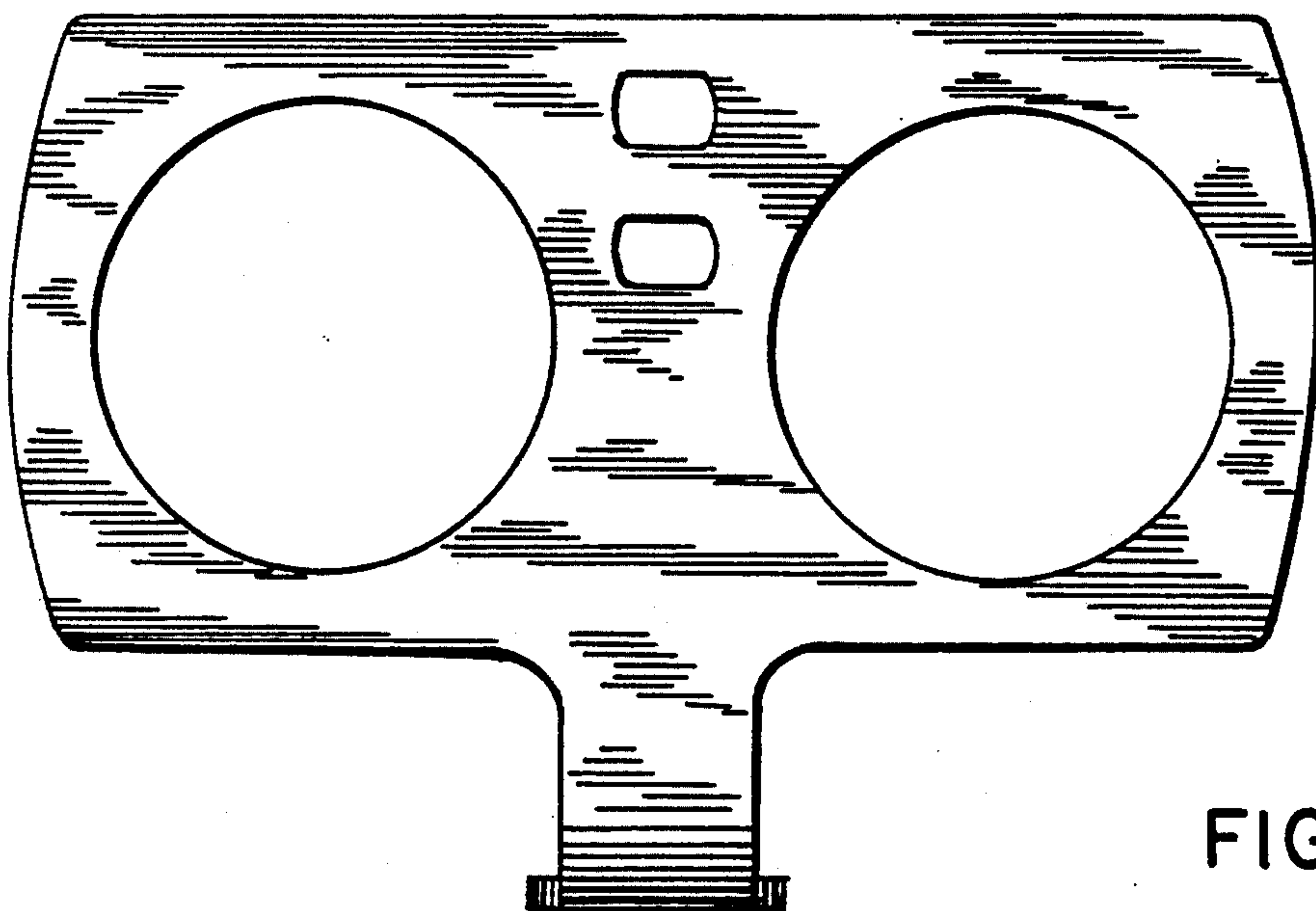
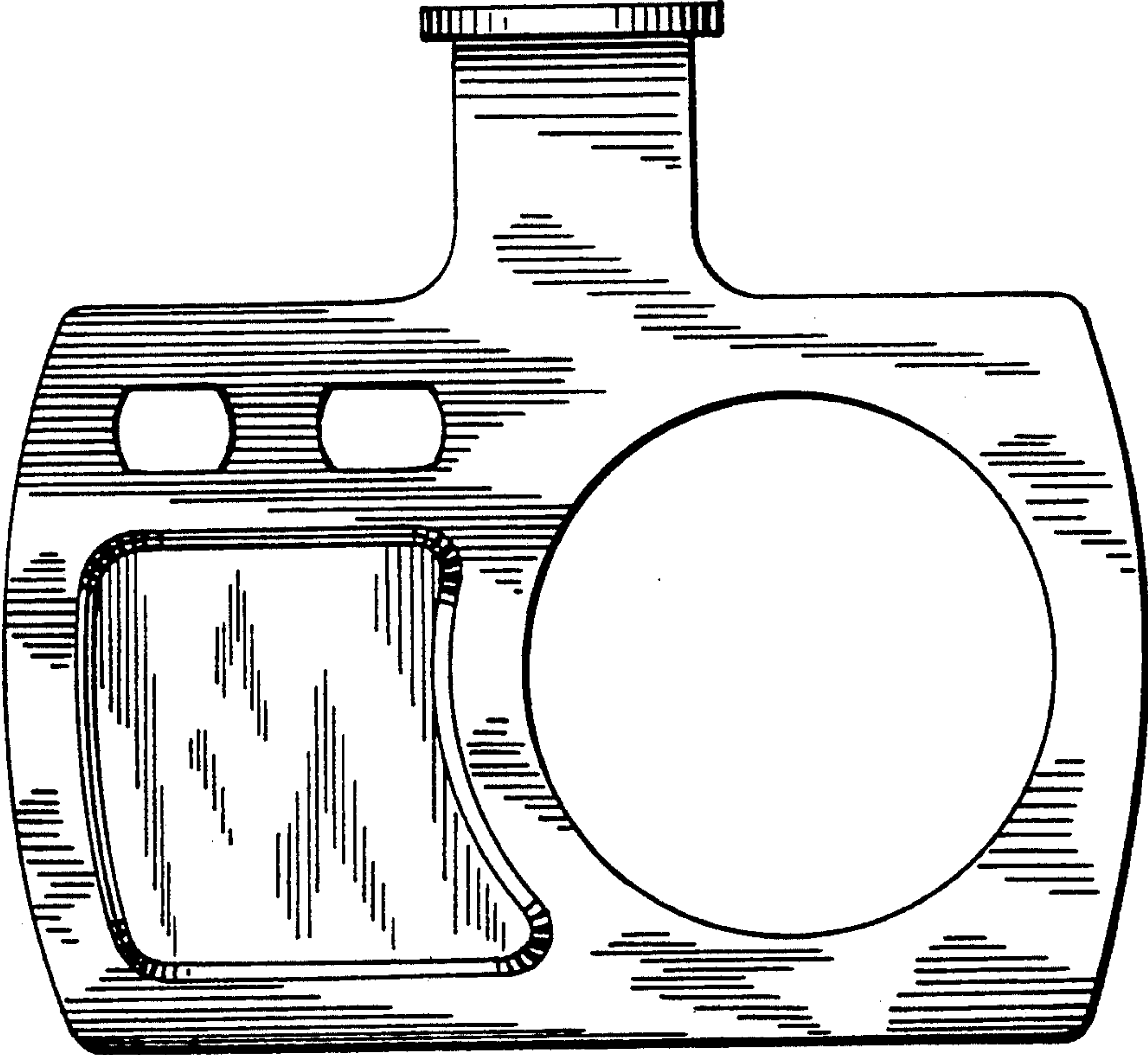


FIG. 10

FIG. 11



UNITED STATES PATENT AND TRADEMARK OFFICE
CERTIFICATE OF CORRECTION

PATENT NO. : Des. 329,562
DATED : September 22, 1992
INVENTOR(S) : William C. McKeone and Mary J. Reid

It is certified that error appears in the above-identified patent and that said Letters Patent is hereby corrected as shown below:

In the descriptive paragraph after the Figure descriptions "The fragmentary broken line representations of walls in FIGS. 1, 6, 11 and 16, and of holes in FIGS. 11, 13, 16 and 18 are for the purposes of illustration only." should be deleted.

Signed and Sealed this
Twenty-first Day of September, 1993



Attest:

BRUCE LEHMAN

Attesting Officer

Commissioner of Patents and Trademarks