



US00D329561S

United States Patent [19]
Nyorkor

[11] **Patent Number: Des. 329,561**
[45] **Date of Patent: ** Sep. 22, 1992**

[54] **BATHROOM CADDY/ORGANIZER**

[76] **Inventor: Sahr A. Nyorkor, 6550 E. 55th Pl., Indianapolis, Ind. 46226**

[**] **Term: 14 Years**

[21] **Appl. No.: 630,954**

[22] **Filed: Dec. 20, 1990**

[52] **U.S. Cl. D6/525; D6/524**

[58] **Field of Search D6/524-525, D6/527; D20/73; D3/30.1, 39; 206/77.1, 207-210, 438, 557; 211/13, 60.1, 70.6, 70.7, 71, 74; 220/500**

[56] **References Cited**

U.S. PATENT DOCUMENTS

- D. 286,599 11/1986 Sussman .
- D. 287,075 12/1986 Colin et al. D6/524 X
- D. 304,262 10/1989 Mays D3/39
- D. 305,589 1/1990 Timmons D6/524
- D. 322,731 12/1991 Willie D6/524
- 3,869,183 3/1975 Frank .
- 4,239,308 12/1980 Bradley 312/226 X
- 4,472,843 9/1984 Chermak .
- 4,754,883 7/1988 Grzywa 211/71

FOREIGN PATENT DOCUMENTS

156075 10/1932 Switzerland .
666334 2/1950 United Kingdom .

OTHER PUBLICATIONS

Rubbermaid Caddy—"Housewares" (1979) p. 24.

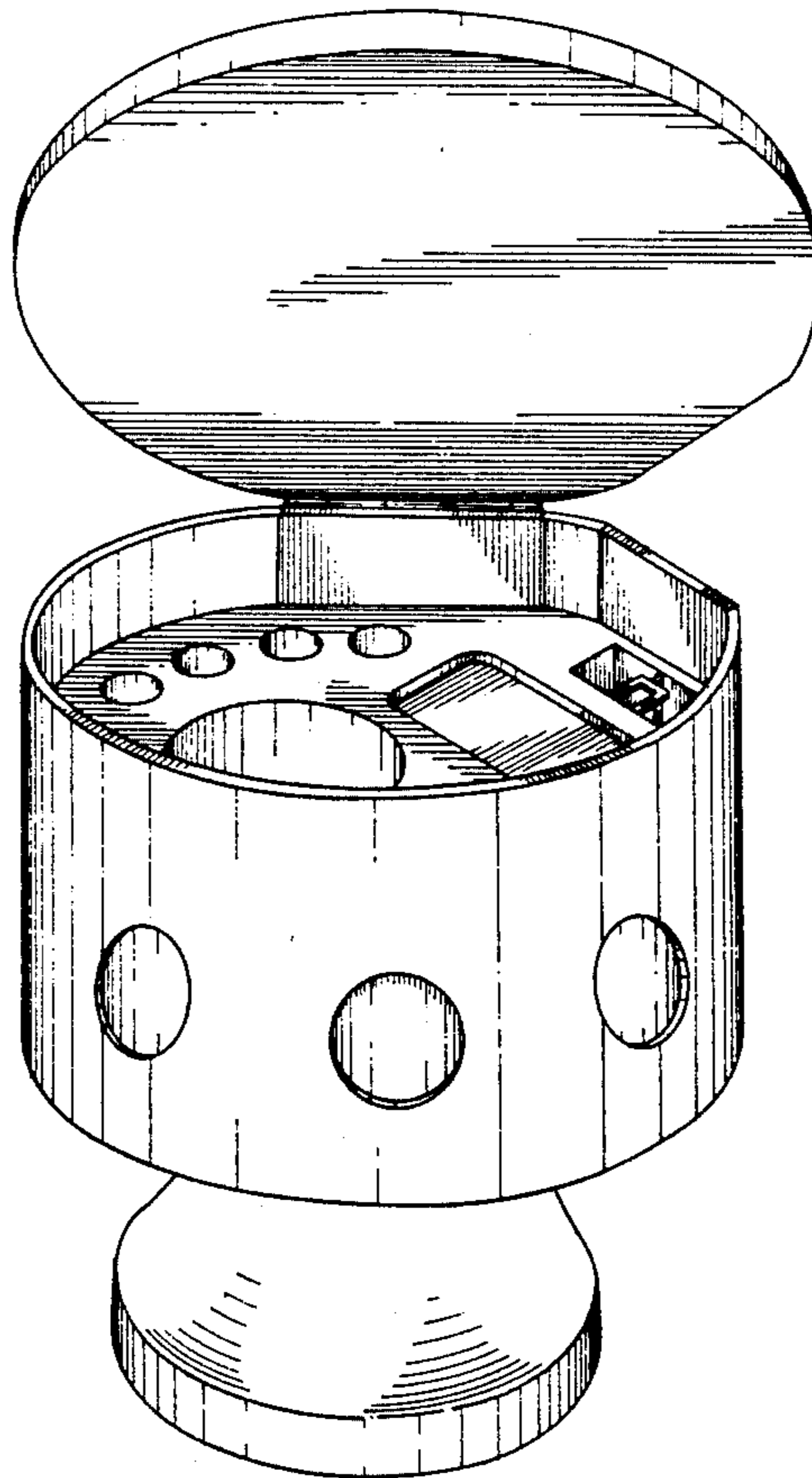
Primary Examiner—Brian N. Vinson
Attorney, Agent, or Firm—Terry M. Gernstein

[57] **CLAIM**

The ornamental design for a bathroom caddy/organizer, as shown and described.

DESCRIPTION

FIG. 1 is a top and front perspective view of a bathroom caddy/organizer showing my new design; FIG. 2 is a front elevational view thereof, with the lid shown fully opened; FIG. 3 is a rear elevational view thereof, with the lid shown fully opened; FIG. 4 is a right side elevational view thereof, with the lid shown fully opened; FIG. 5 is a left side elevational view thereof, with the lid shown fully opened; FIG. 6 is a top plan view thereof, with the lid shown fully opened; and, FIG. 7 is a bottom plan view thereof, with the lid shown fully opened.



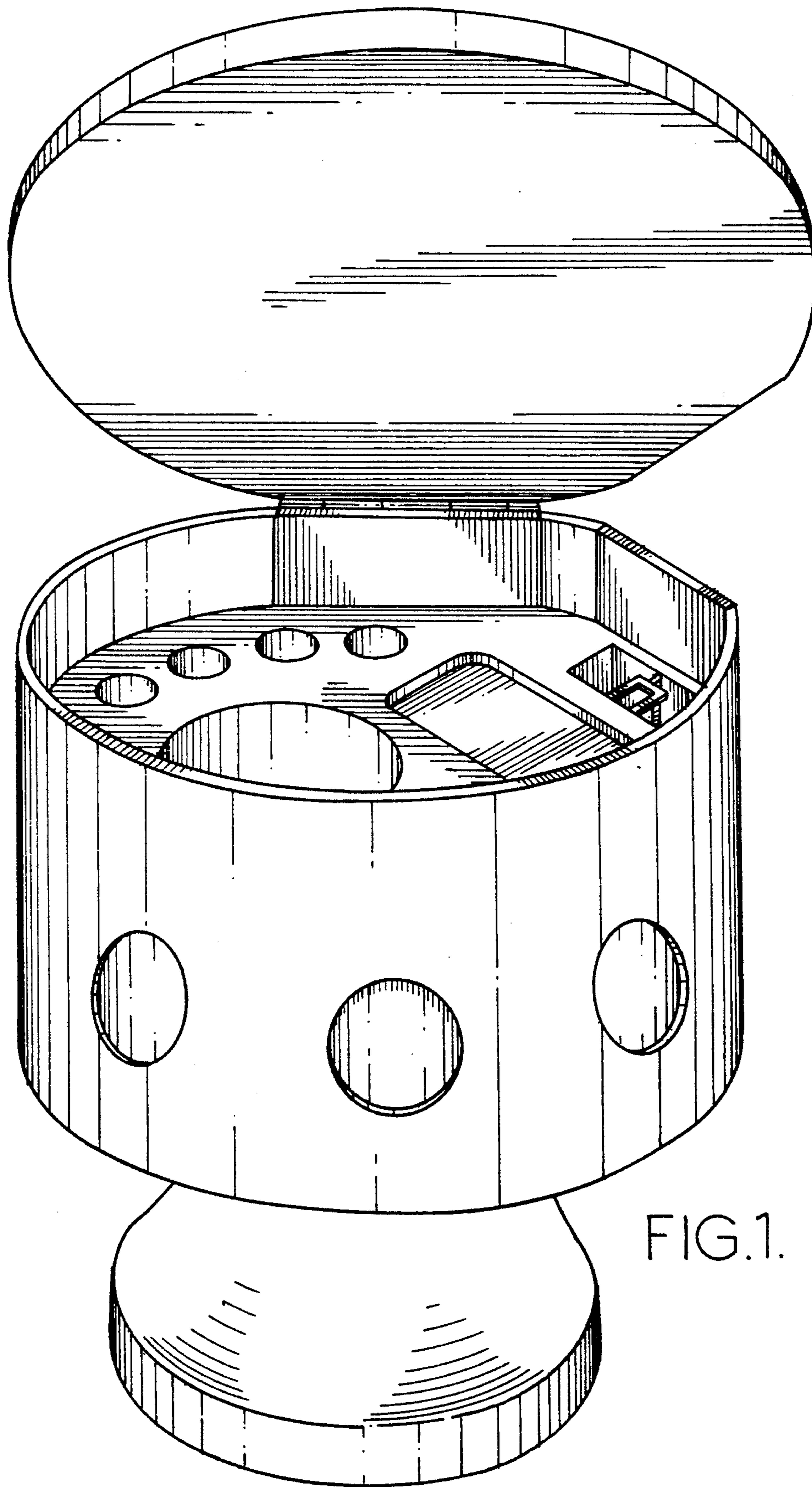


FIG.1.

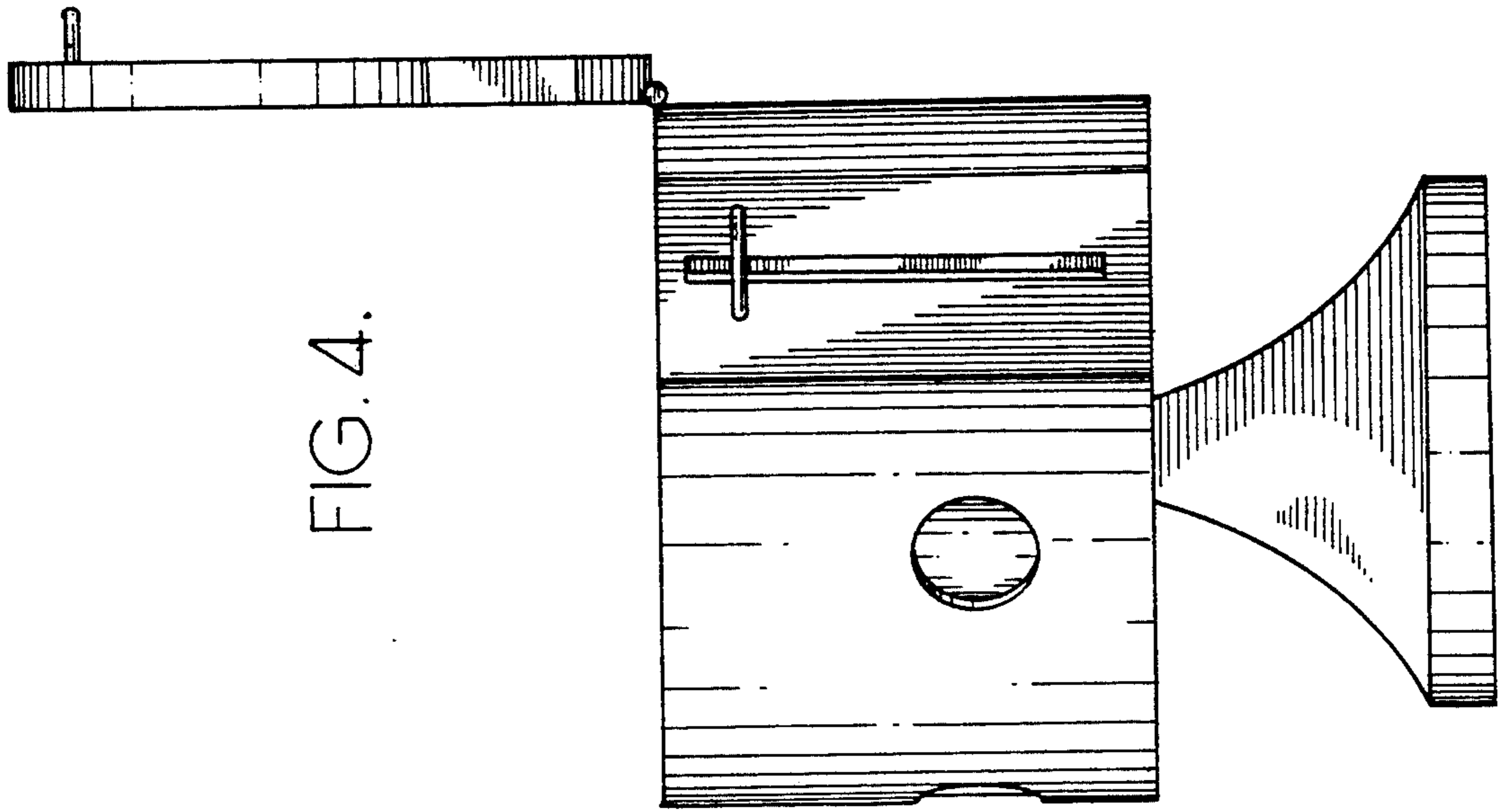


FIG. 4.

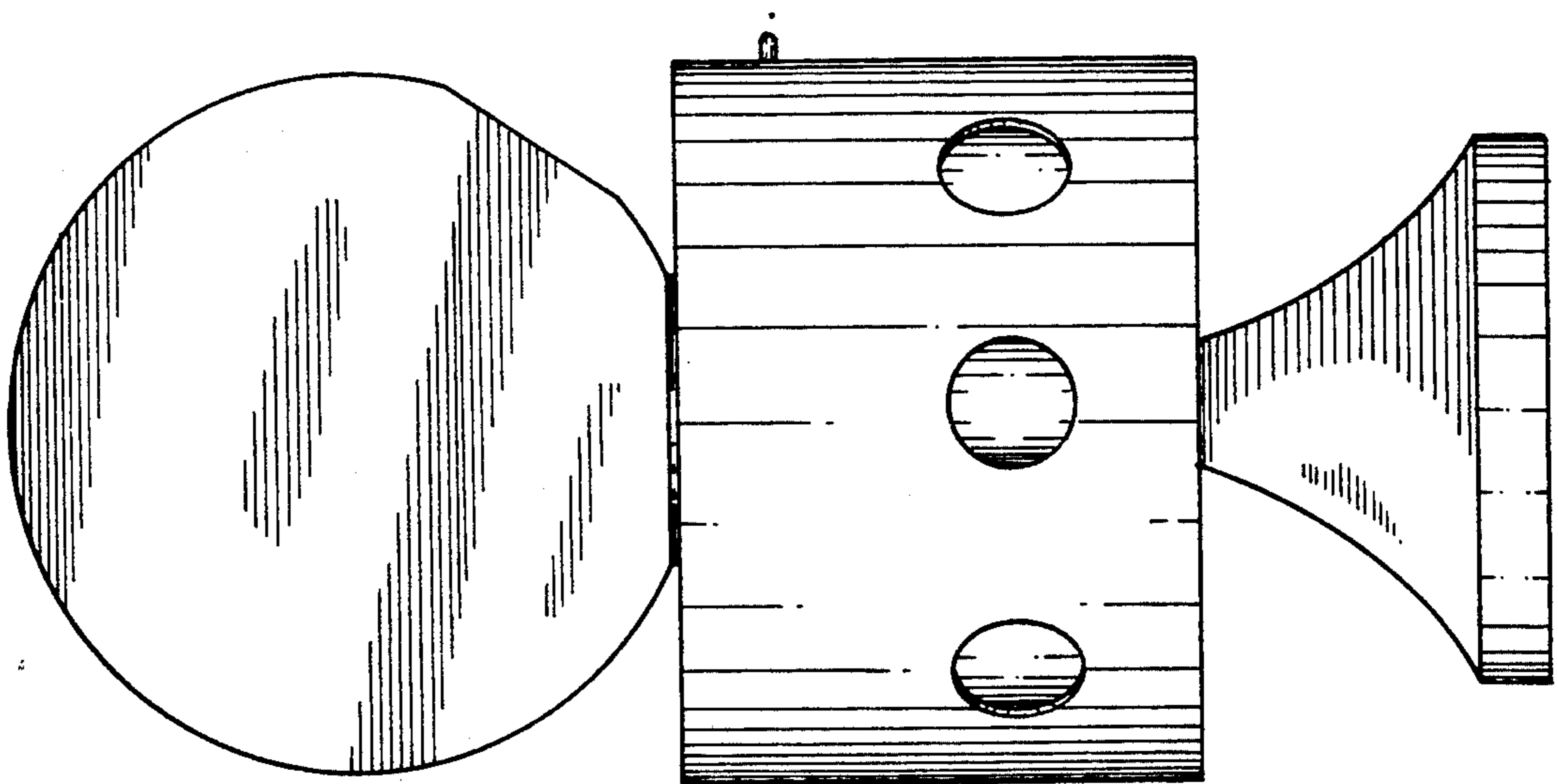


FIG. 2.

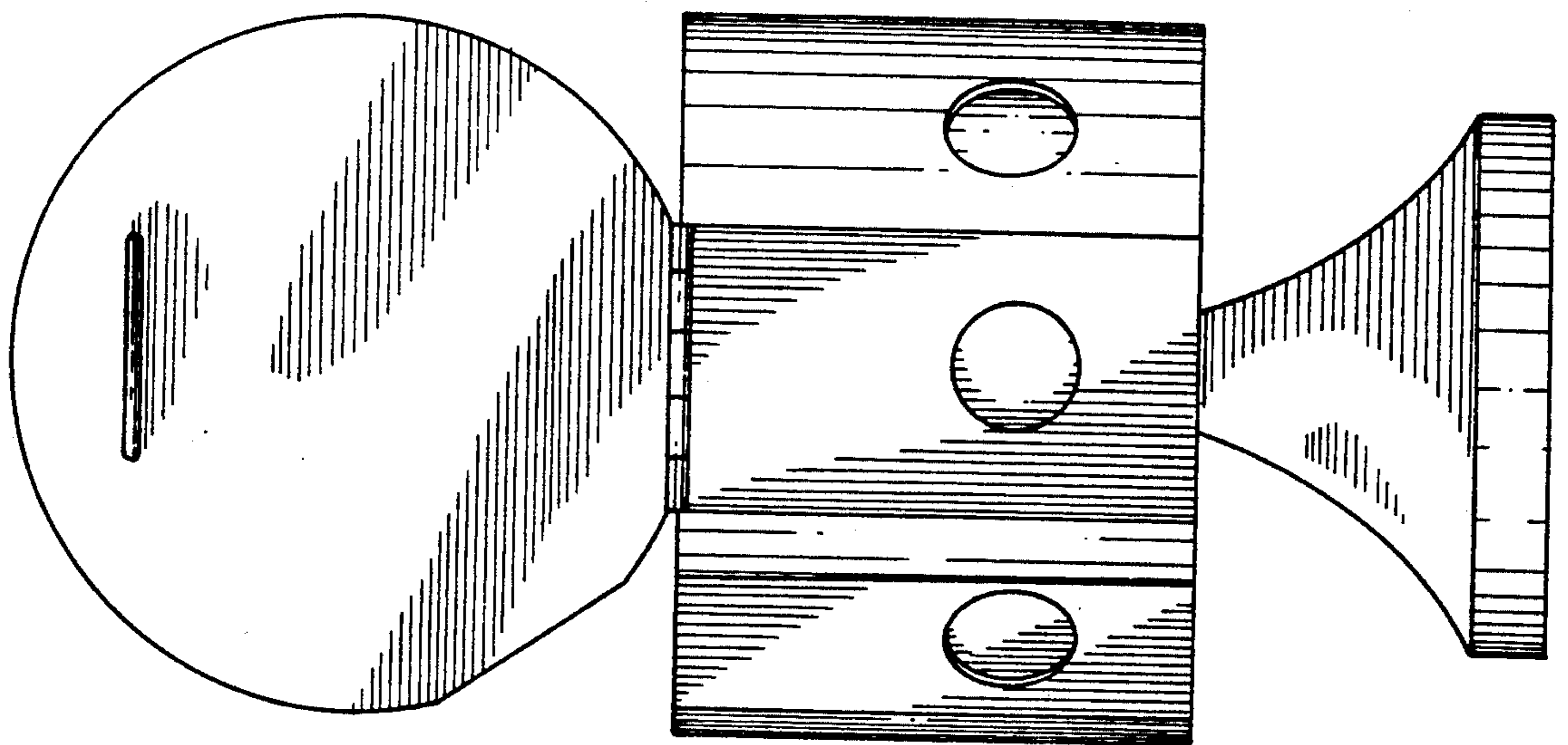


FIG. 3.

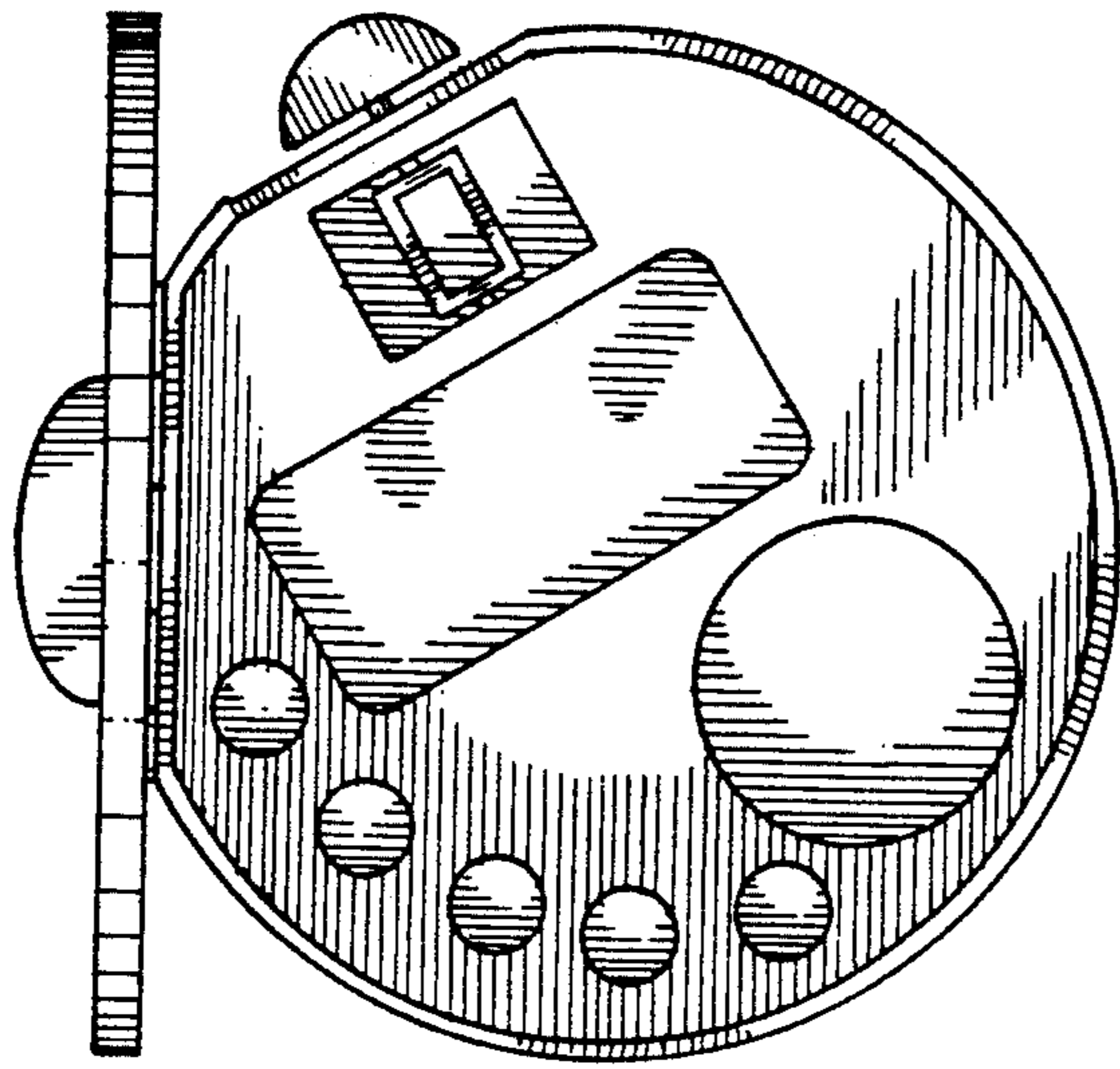


FIG. 6.

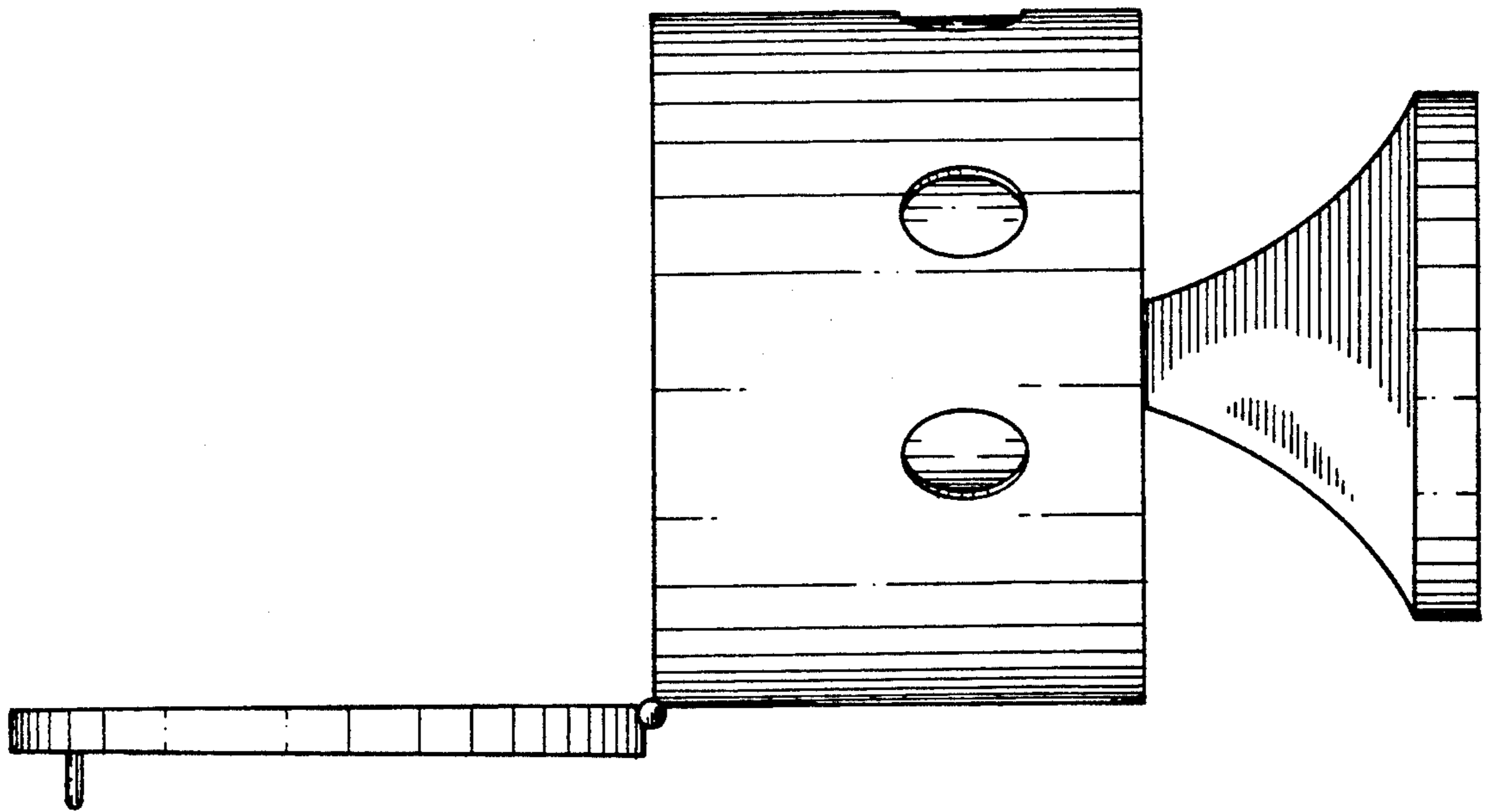


FIG. 5.

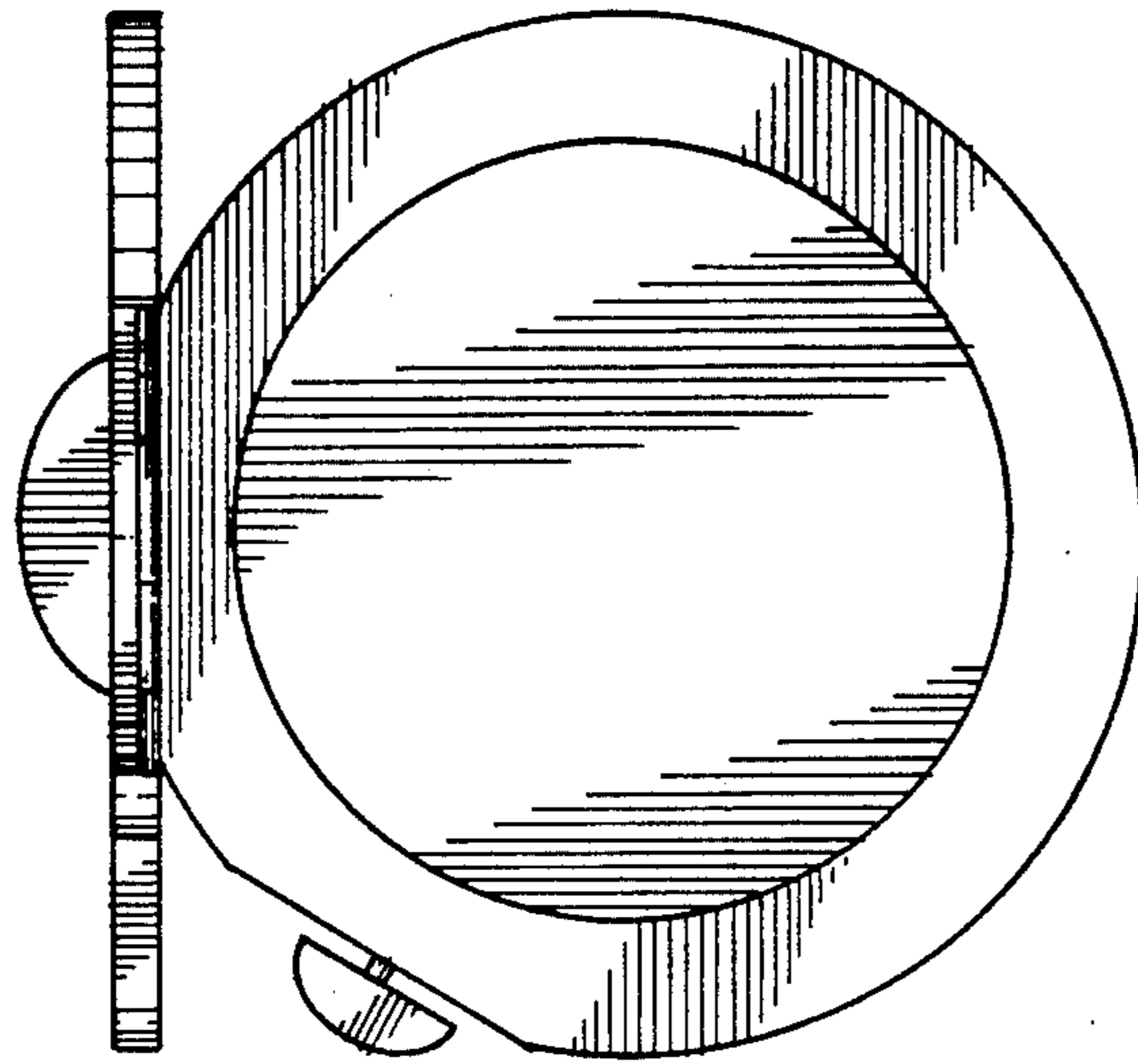


FIG. 7.