



US00D329559S

# United States Patent [19]

[11] Patent Number: **Des. 329,559**

Paul

[45] Date of Patent: **\*\* Sep. 22, 1992**

- [54] **BATHROOM ACCESSORY FIXTURE**
- [75] Inventor: **Stanley M. Paul, Long Island City, N.Y.**
- [73] Assignee: **American Standard Inc., New York, N.Y.**
- [\*\*] Term: **14 Years**
- [21] Appl. No.: **331,924**
- [22] Filed: **Mar. 31, 1989**
- [52] U.S. Cl. .... **D6/524; D6/523; D6/546; D6/549; D6/574**
- [58] Field of Search ..... **D6/518, 522-523, D6/567, 524, 546-548, 549-550, 572, 574, 315, 320, 323; D8/353, 352, 308; D23/254; 108/29-30; 242/55.2, 55.3**

[56] **References Cited**

**U.S. PATENT DOCUMENTS**

D. 75,096	5/1928	Both	.....	D8/353
D. 281,838	12/1985	Thompson	.....	D6/524 X
D. 291,753	9/1987	Pool	.....	D6/549 X
D. 294,907	3/1988	Pool	.....	D6/546
D. 299,400	1/1989	Fayerman et al.	.....	D6/574 X
D. 307,844	5/1990	Romeka	.....	D6/523
D. 310,147	8/1990	Aaron	.....	D6/574 X

**OTHER PUBLICATIONS**

Baldwin Bath Epic Accessories Catalogue, p. 9, "New York" bathroom fixtures.  
 Paul Associates Catalogue, p. 38, Hook #904.  
 Paul Associates Catalogue, p. 30, "Futura Design" coordinated accessories.

Paul Associates Catalogue, p. 26D, Towel Bar #3380.

*Primary Examiner*—Brian N. Vinson  
*Attorney, Agent, or Firm*—Blum Kaplan

[57] **CLAIM**

The ornamental design for a bathroom accessory fixture, as shown and described.

**DESCRIPTION**

FIG. 1 is a top, front, and left side perspective view of a bathroom accessory fixture as embodied in a shelf showing my new design;

FIG. 2 is a bottom, rear, and left side perspective view thereof, the right side being a mirror image of the left;

FIG. 3 is a top, front, and left side perspective view of a bathroom accessory fixture as embodied in a towel rack showing my new design;

FIG. 4 is a bottom, rear, and left side perspective view thereof, the right side being a mirror image of the left;

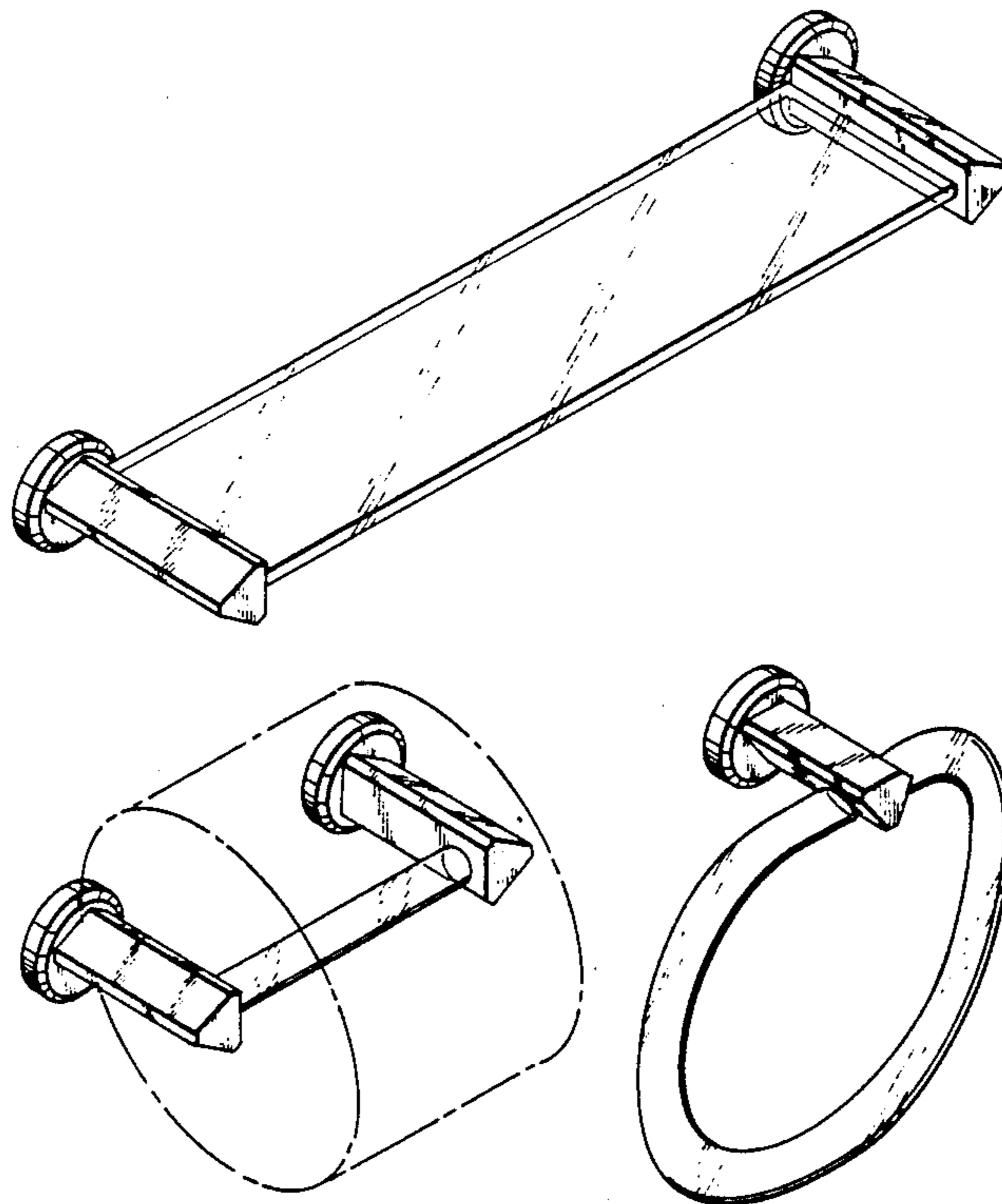
FIG. 5 is a top, front, and left side perspective view of a bathroom accessory fixture as embodied in a toilet roll holder showing my new design, the broken-line illustration of a paper roll being for illustrative purposes only and forming no part of the claimed design;

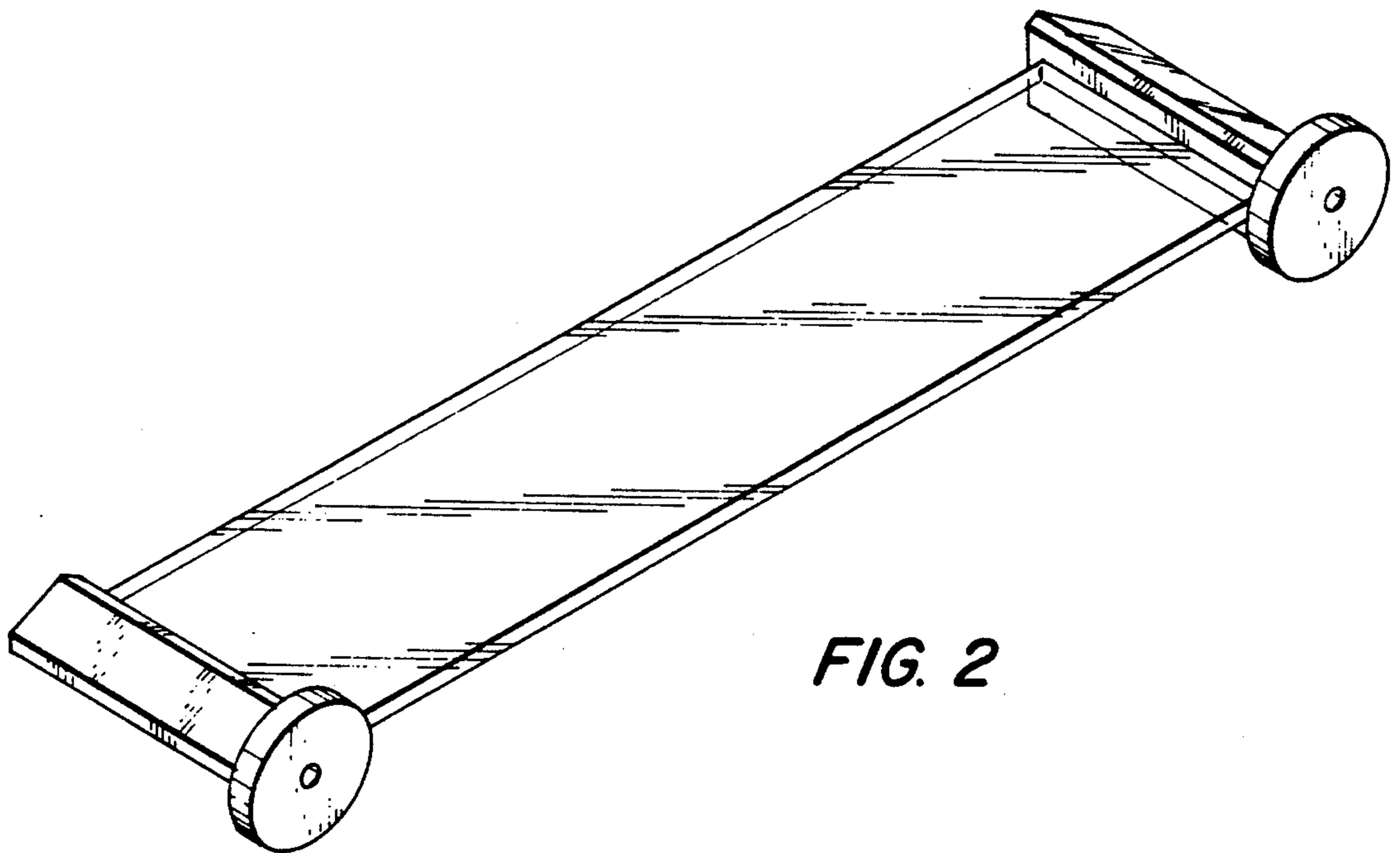
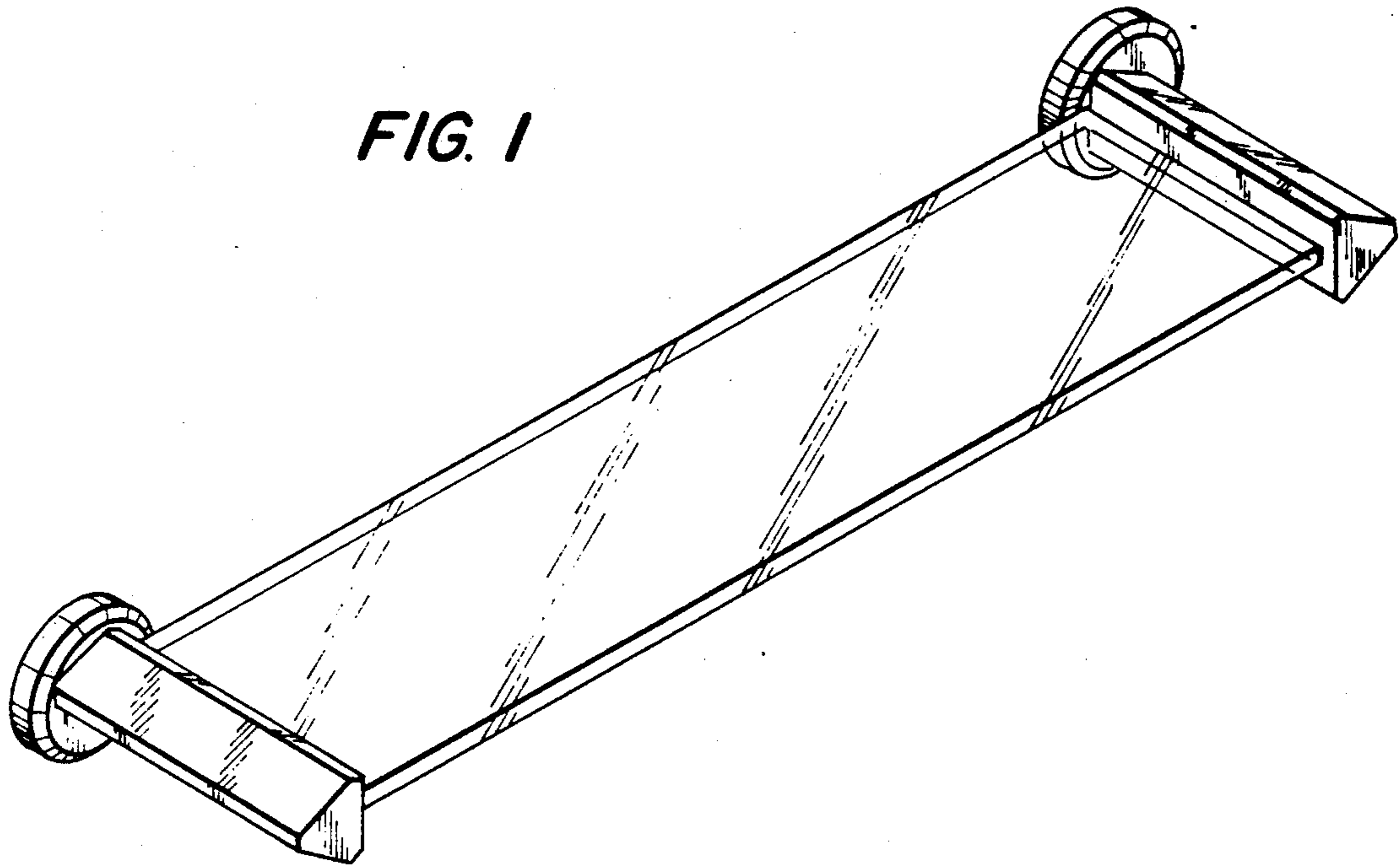
FIG. 6 is a bottom, rear, and left side perspective view thereof, the right side being a mirror image of the left;

FIG. 7 is a top, front, and left side elevational view of a bathroom accessory fixture as embodied in a towel ring showing my new design;

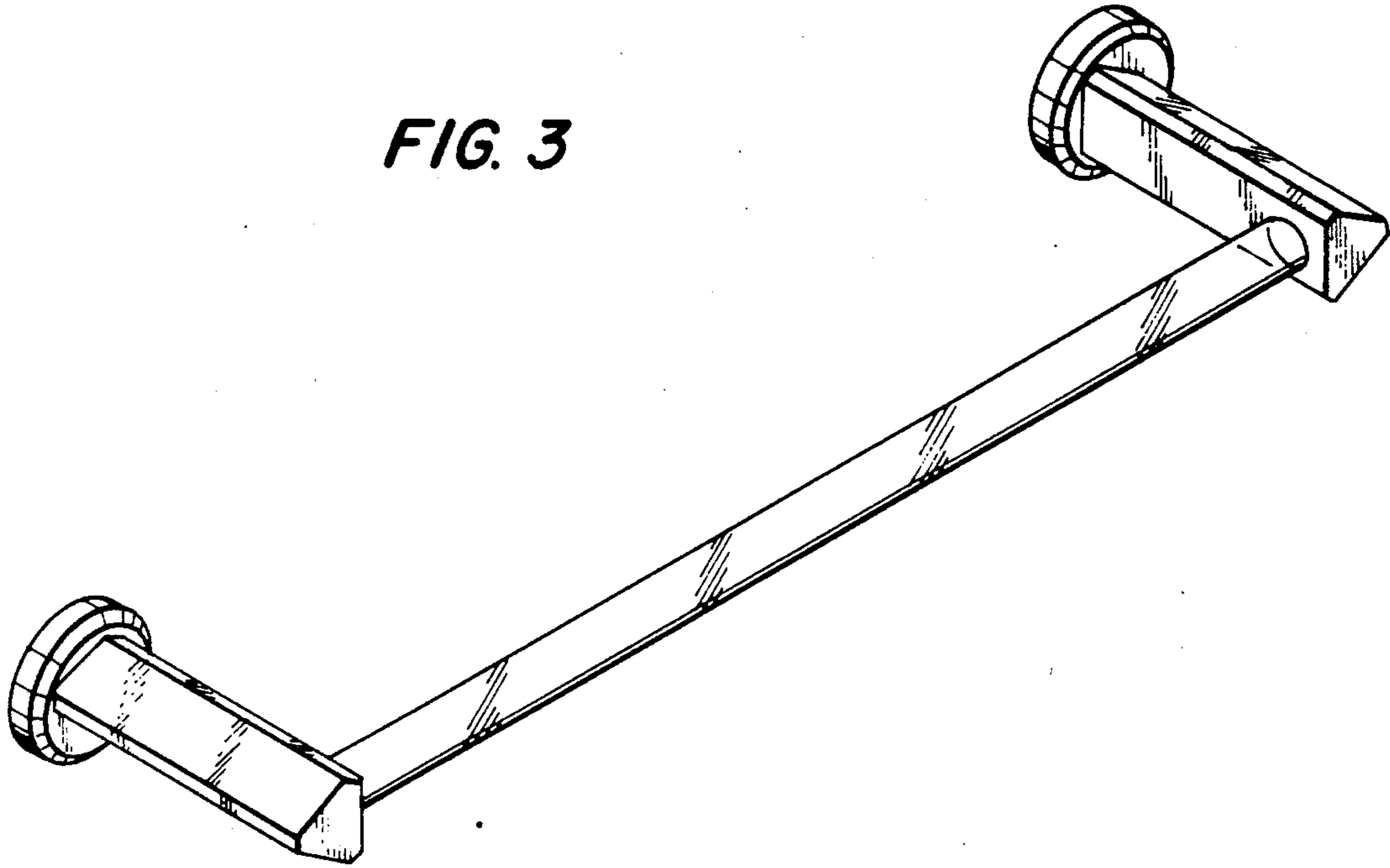
FIG. 8 is a bottom, rear, and left side perspective view thereof, the right side being a mirror image of the left; and,

FIG. 9 is an enlarged front elevational view thereof.

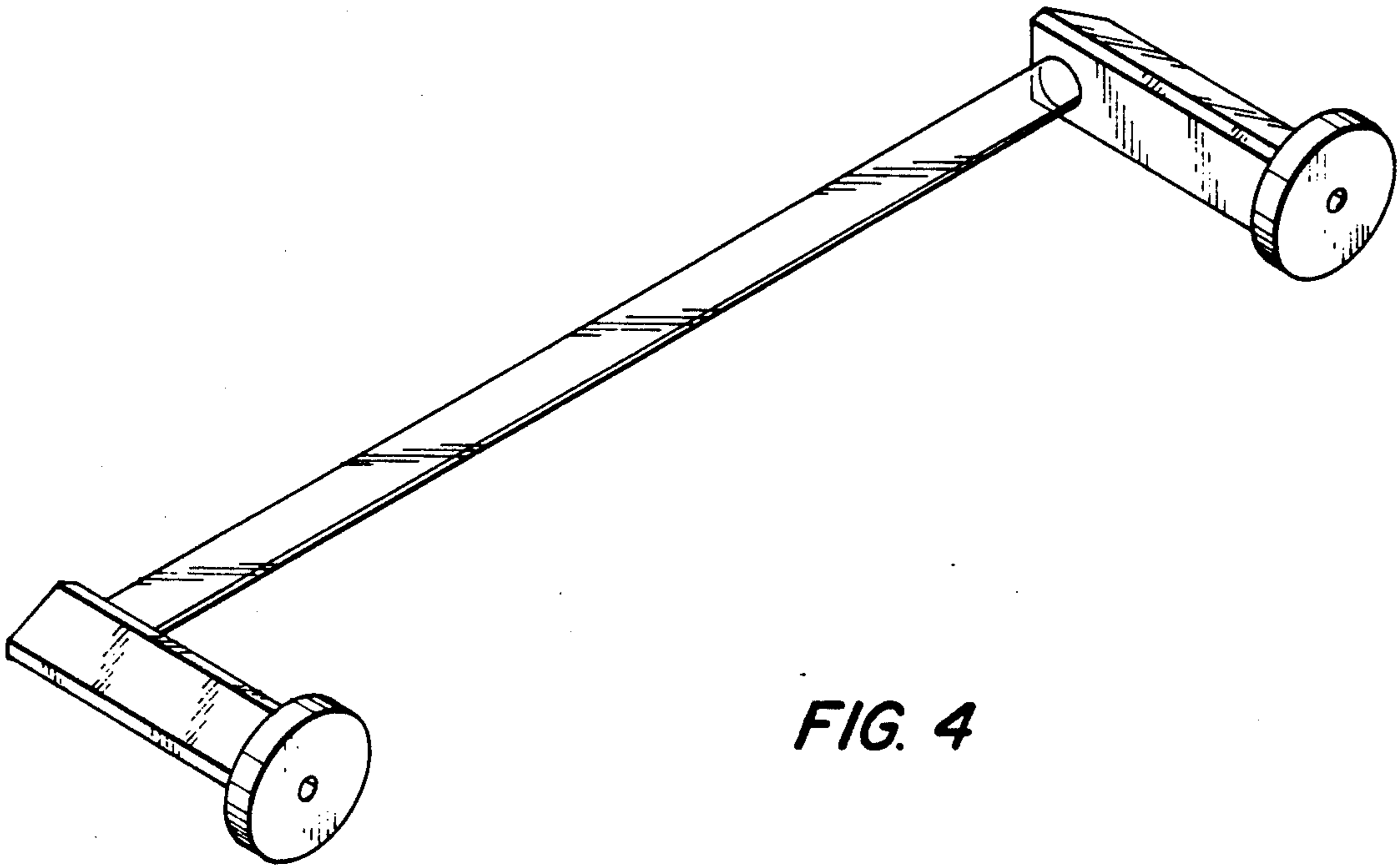




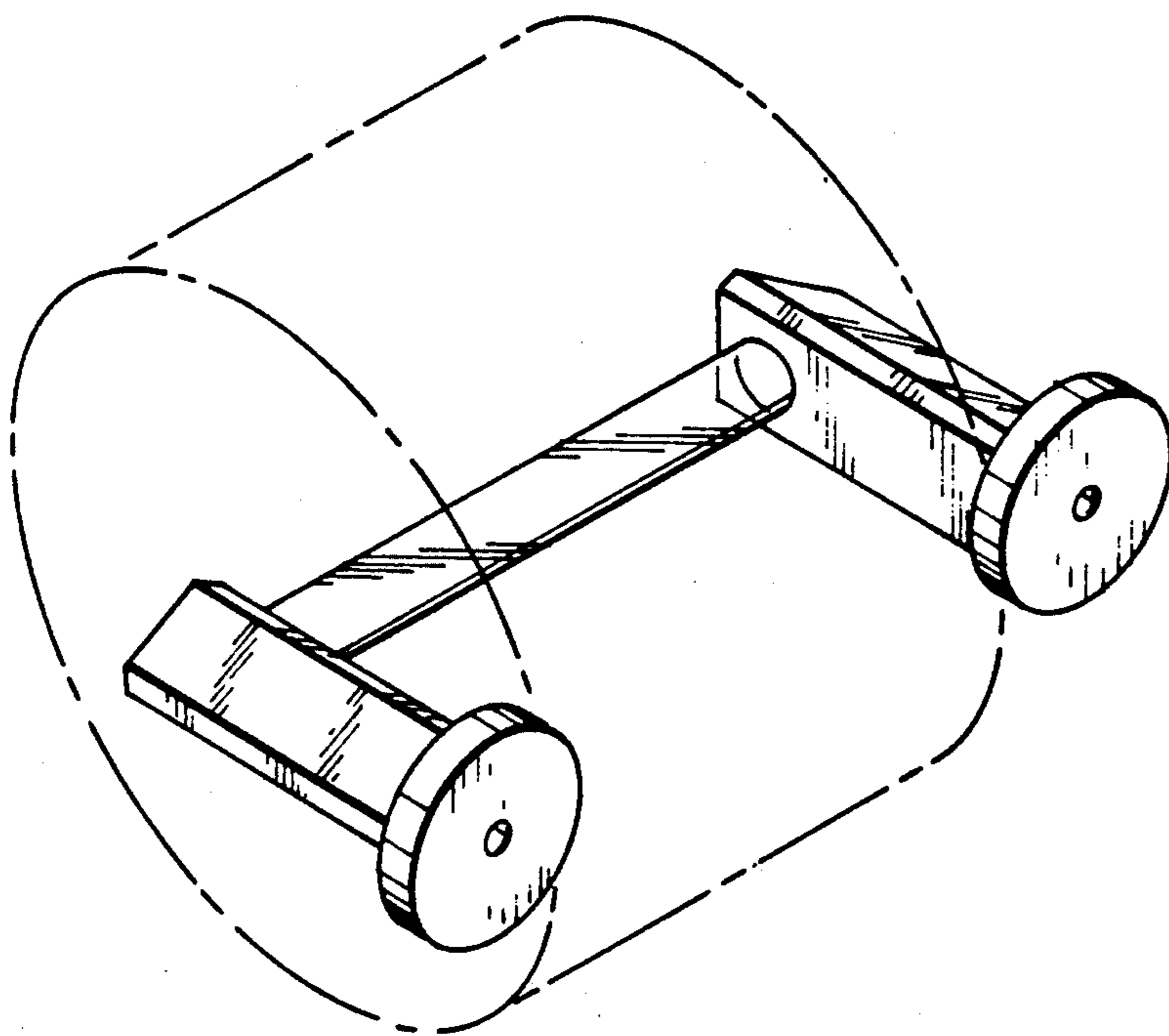
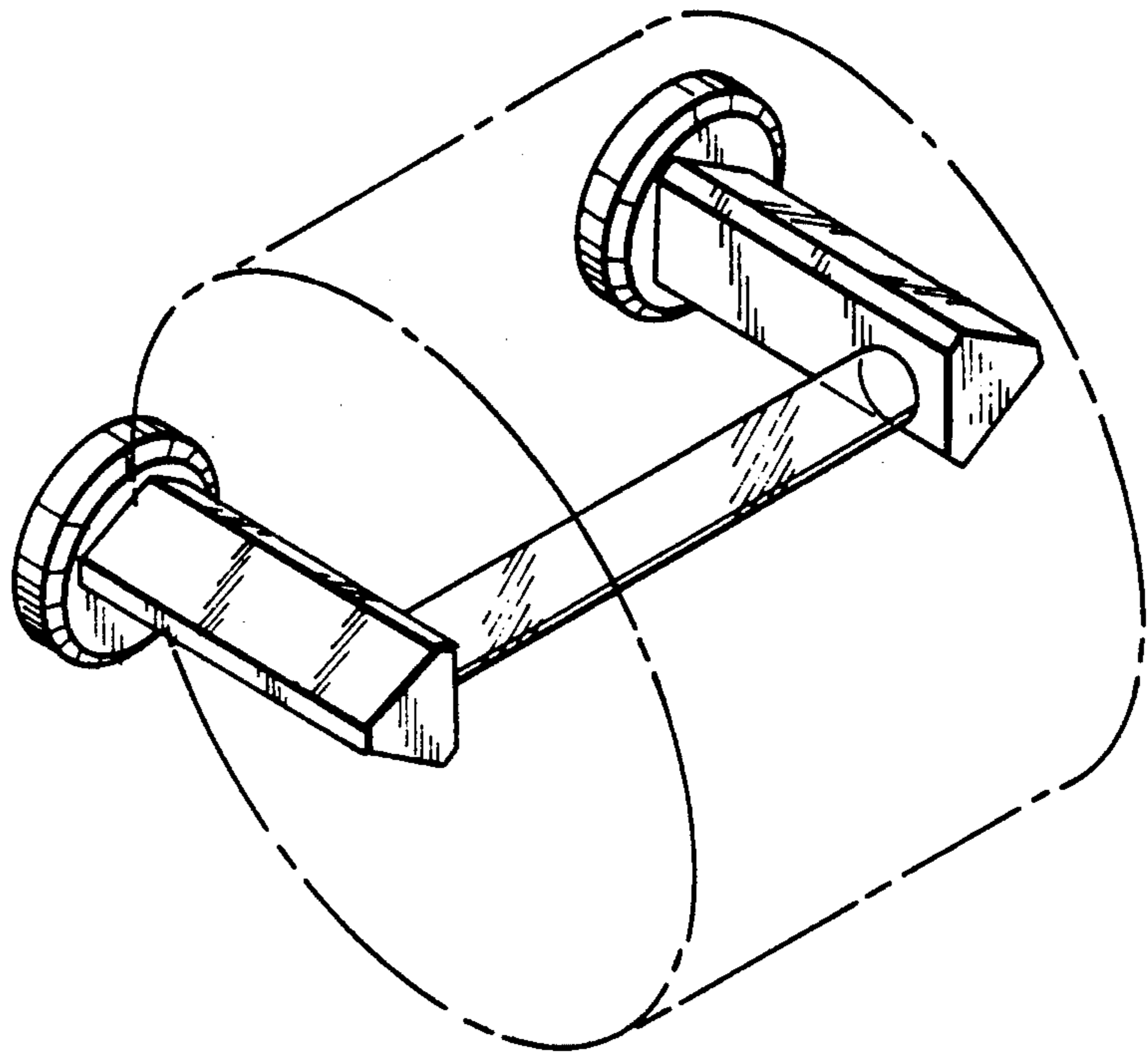
*FIG. 3*



*FIG. 4*

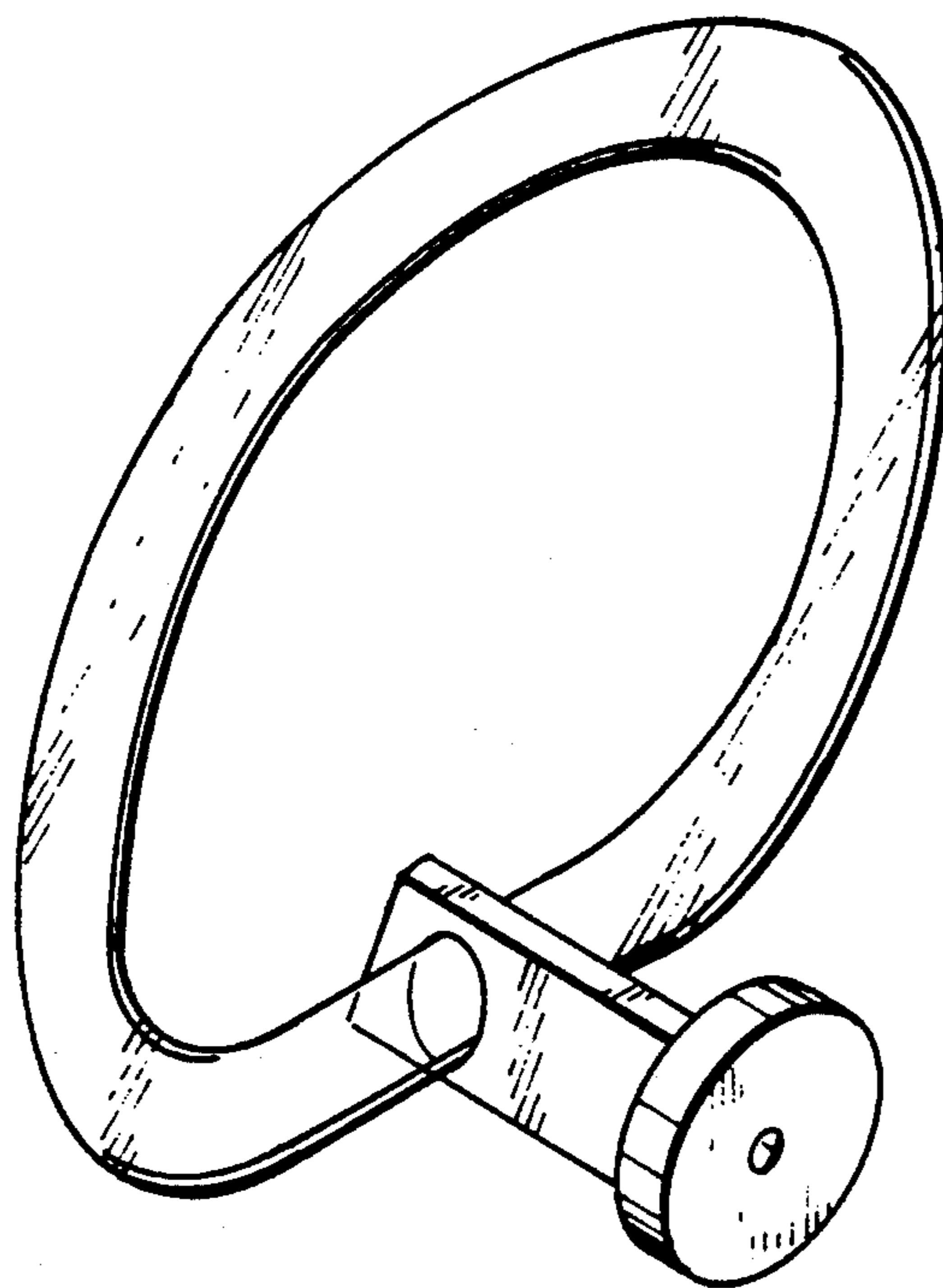
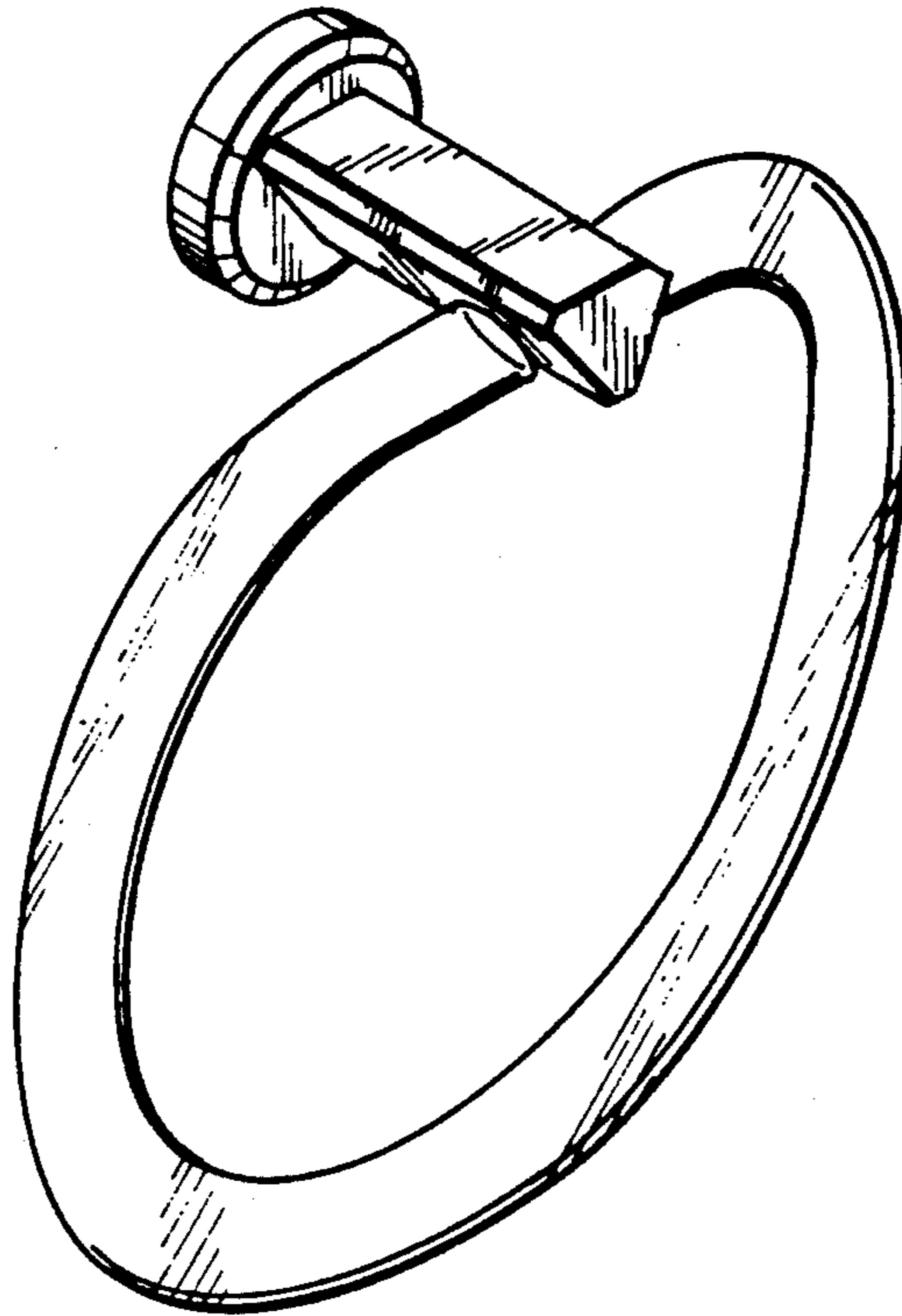


**FIG. 5**



**FIG. 6**

**FIG. 7**



**FIG. 8**

*FIG. 9*

