



US00D329553S

# United States Patent [19]

[11] Patent Number: **Des. 329,553**

White

[45] Date of Patent: **\*\* Sep. 22, 1992**

[54] TABLE

[75] Inventor: Winsor D. White, Chicago, Ill.

[73] Assignee: Henredon Furniture Industries, Inc., Morganton, N.C.

[\*\*] Term: 14 Years

[21] Appl. No.: 375,768

[22] Filed: Jul. 5, 1989

[52] U.S. Cl. .... D6/484; D6/487

[58] Field of Search ..... D6/480, 482-489, D6/495, 497, 499, 396, 397, 451; 108/150, 115

[56] **References Cited**

**U.S. PATENT DOCUMENTS**

- D. 168,167 11/1952 Molla ..... D6/480
- D. 245,135 7/1977 Saltz et al. .... D6/484
- D. 274,965 8/1984 Thorpe ..... D6/484

**OTHER PUBLICATIONS**

- Willow & Reed, 1970, #443 Coffee Table, center left, p. 40, in Cane Furn Box (C-6).
- Ficks Reed, #6357w Lacquered Cabinet, p. 12, Cane Furn box (C-6).

Ficks Reed #5362m, table at top center, p. 35, Cane Furn Box C-6.

Ficks Reed, #8315, table at lower left, p. 25, Cane Furn Box C-6.

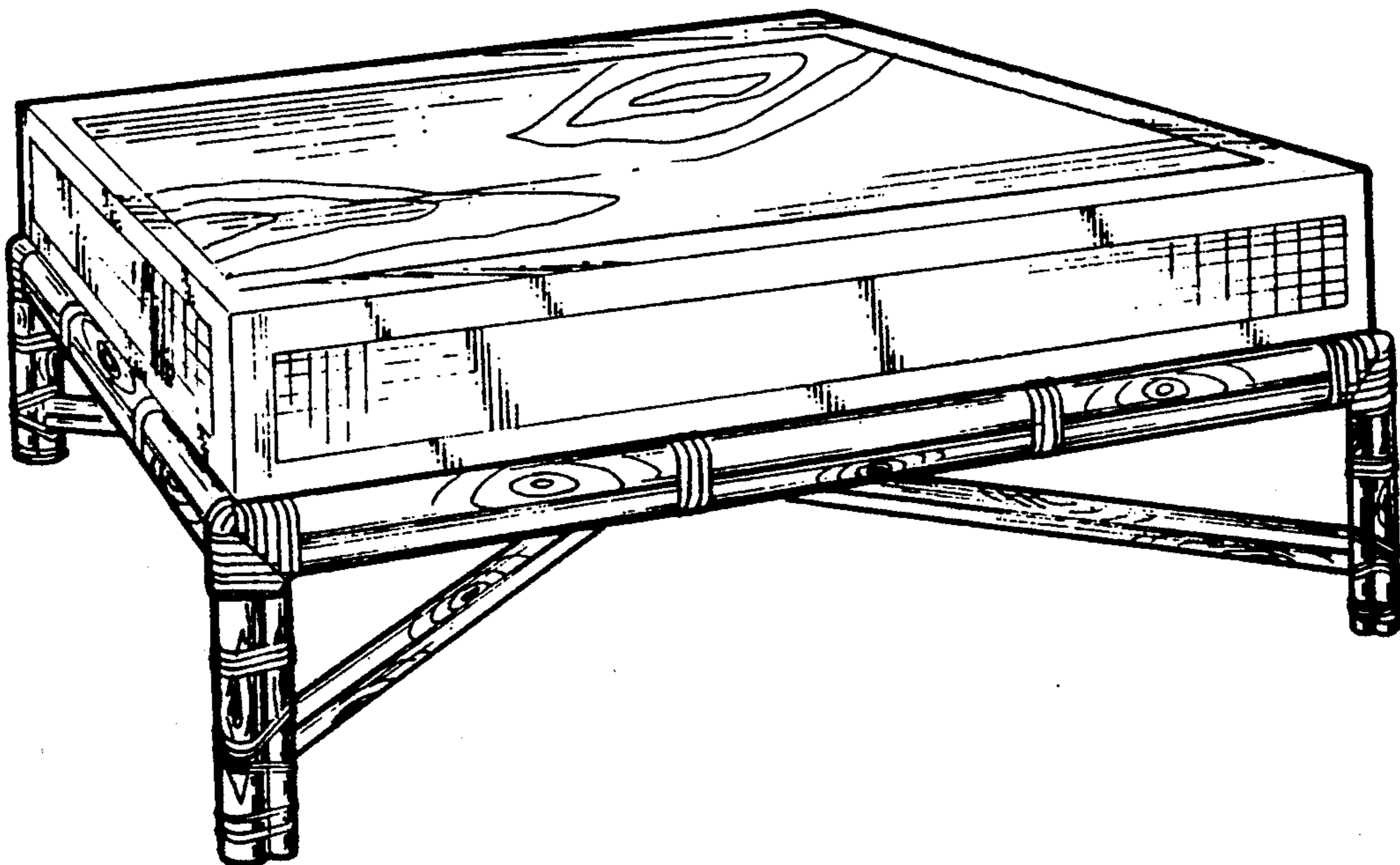
*Primary Examiner*—Carmen H. Vales-Lado  
*Assistant Examiner*—Janice E. Seeger  
*Attorney, Agent, or Firm*—Edgar A. Zarins; Malcolm L. Sutherland

[57] **CLAIM**

The ornamental design for a table, as shown and described.

**DESCRIPTION**

FIG. 1 is a perspective view of a table showing my new design;  
 FIG. 2 is a typical side elevational view;  
 FIG. 3 is a top plan view;  
 FIG. 4 is a bottom plan view;  
 FIG. 5 is a perspective view of an alternate embodiment of my new design;  
 FIG. 6 is a typical side elevational view of the alternate embodiment;  
 FIG. 7 is a top plan view of the alternate embodiment; and,  
 FIG. 8 is a bottom plan view of the alternate embodiment.



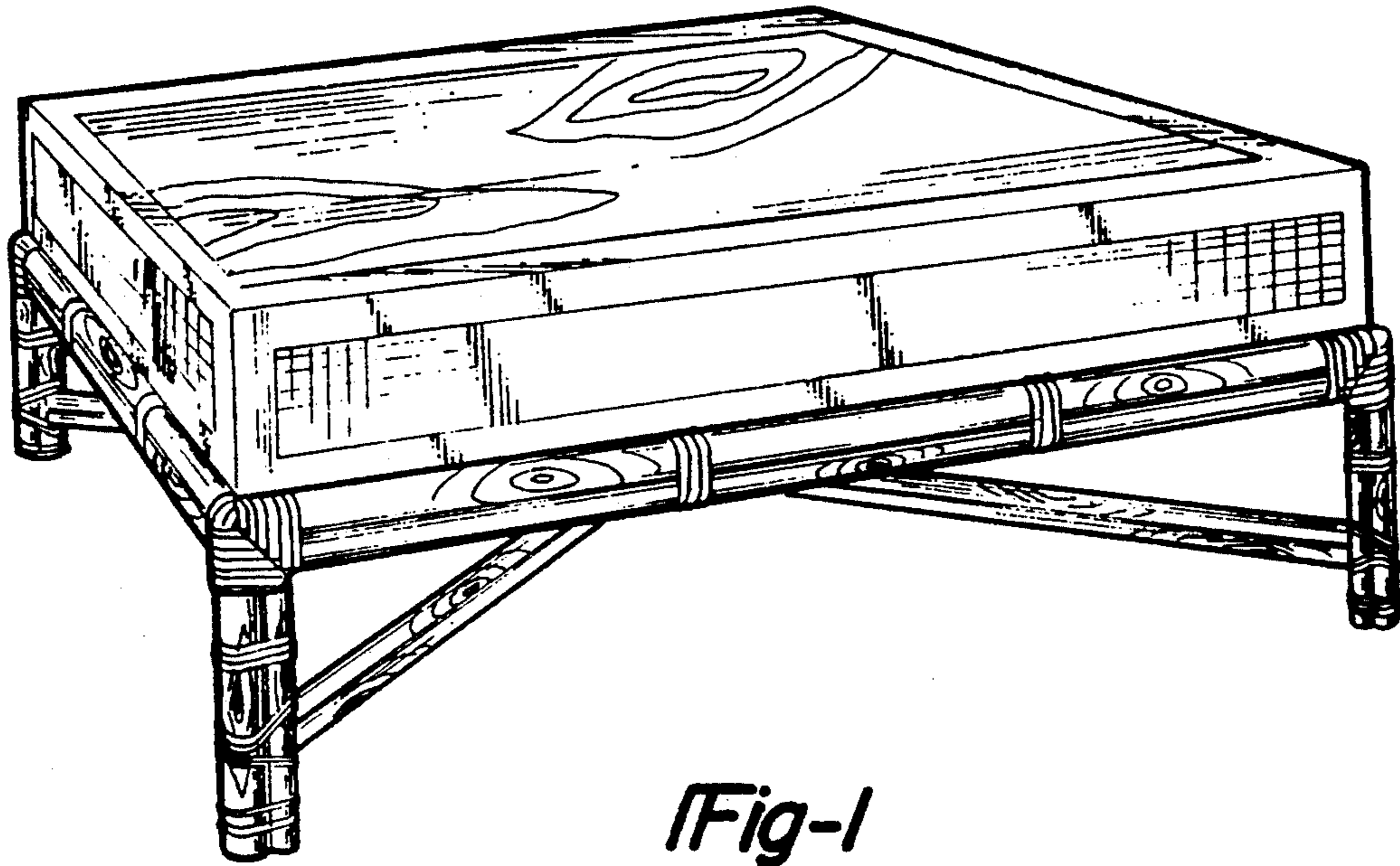


Fig-1

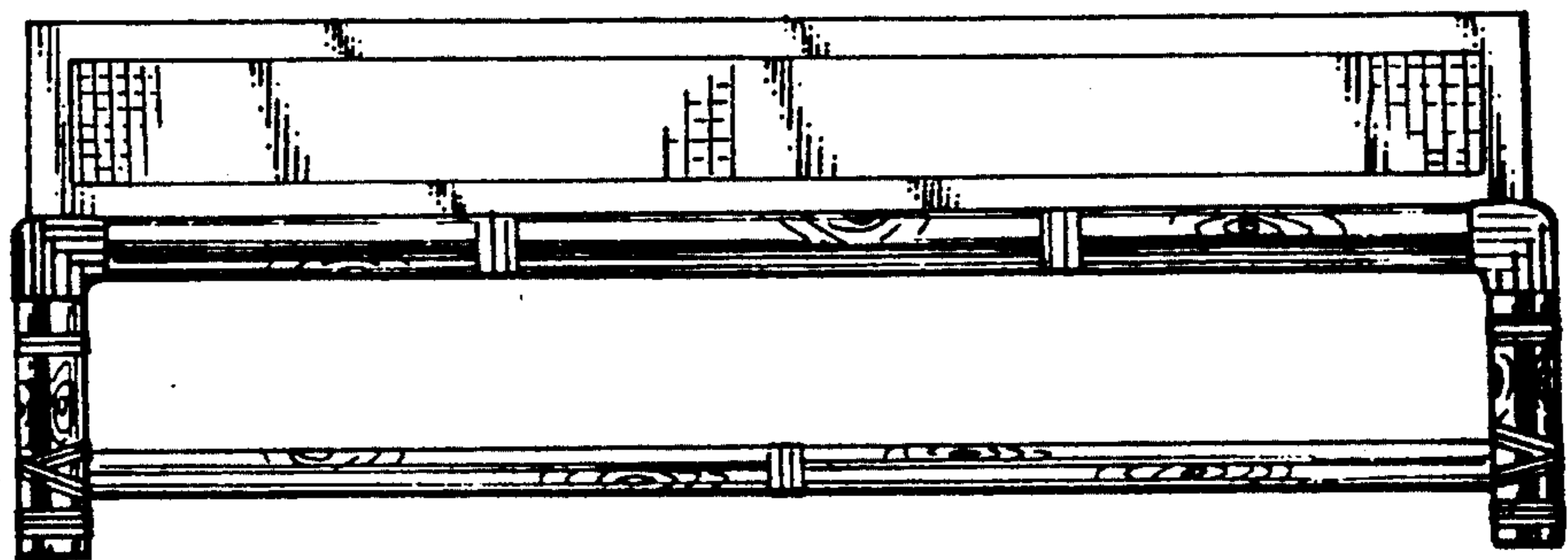


Fig-2

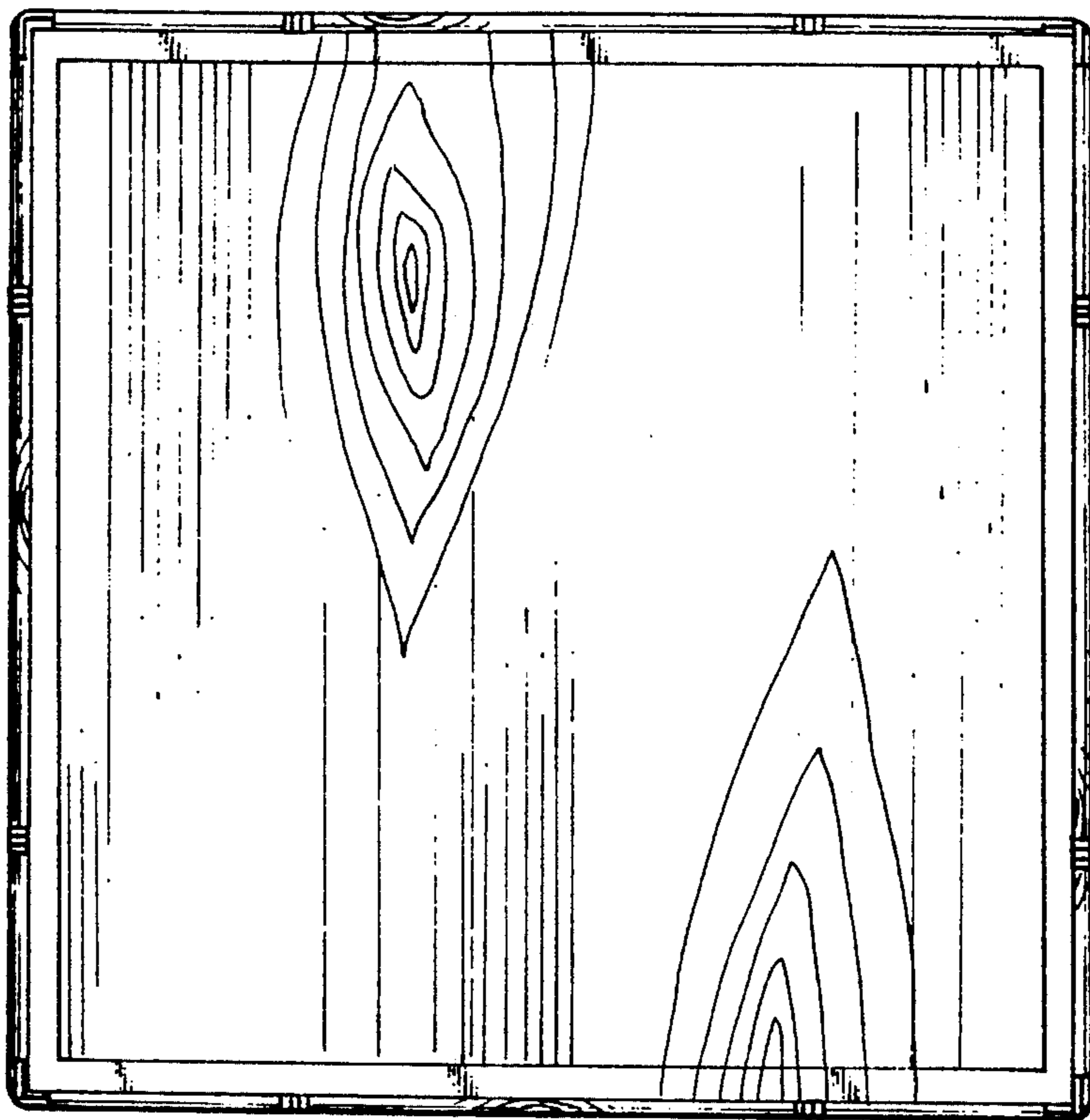


Fig-3

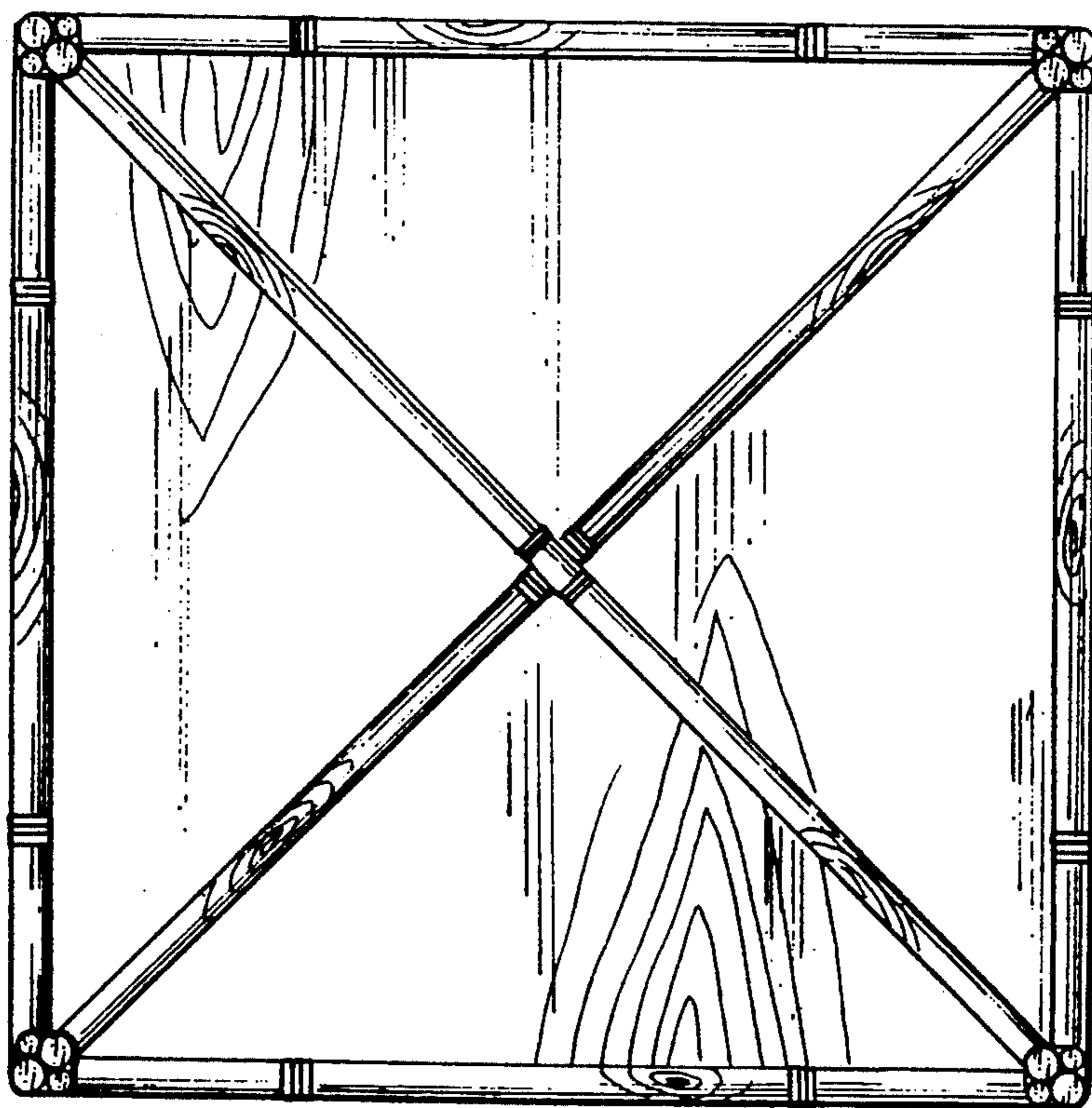


Fig-4

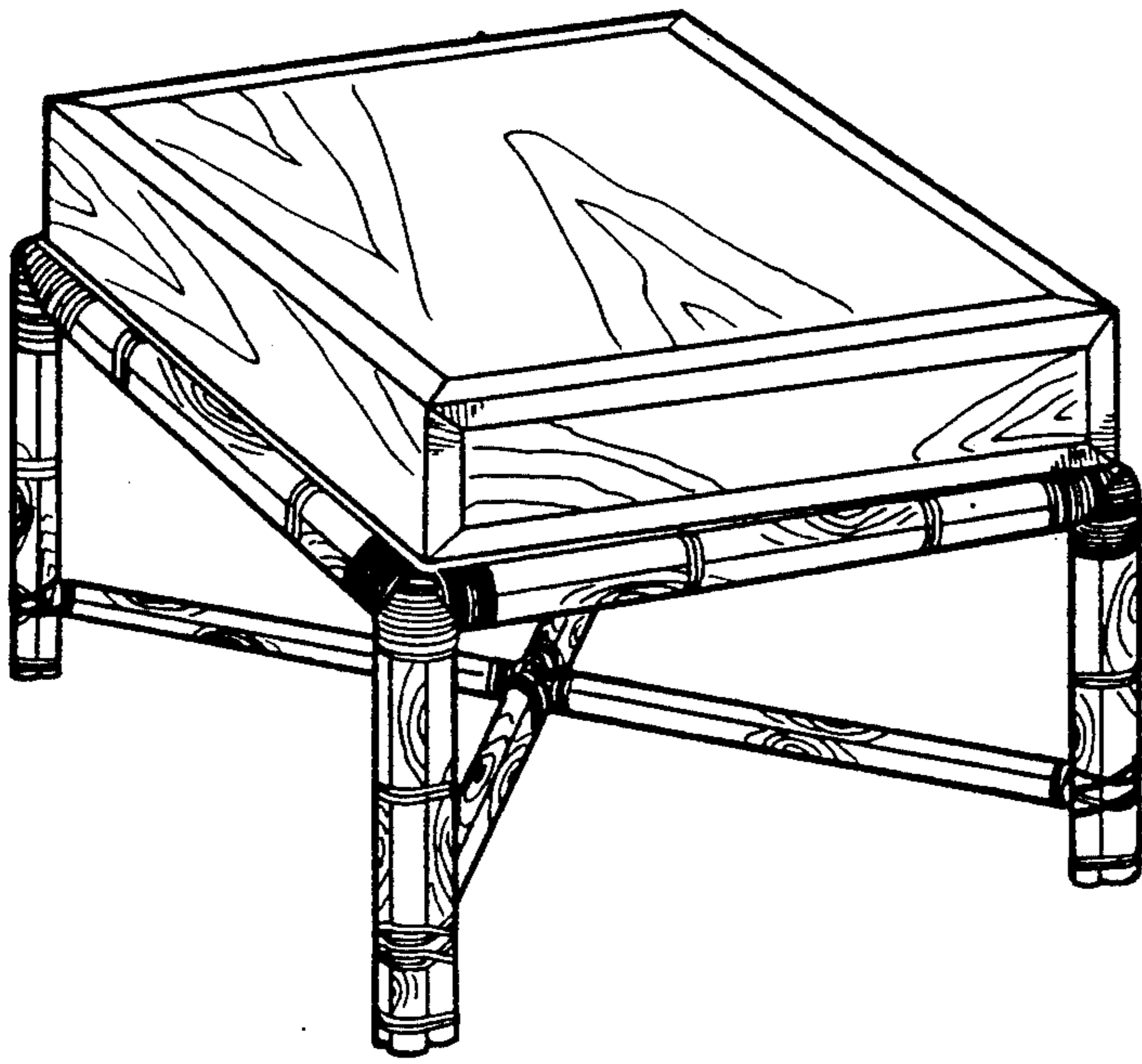


Fig-5

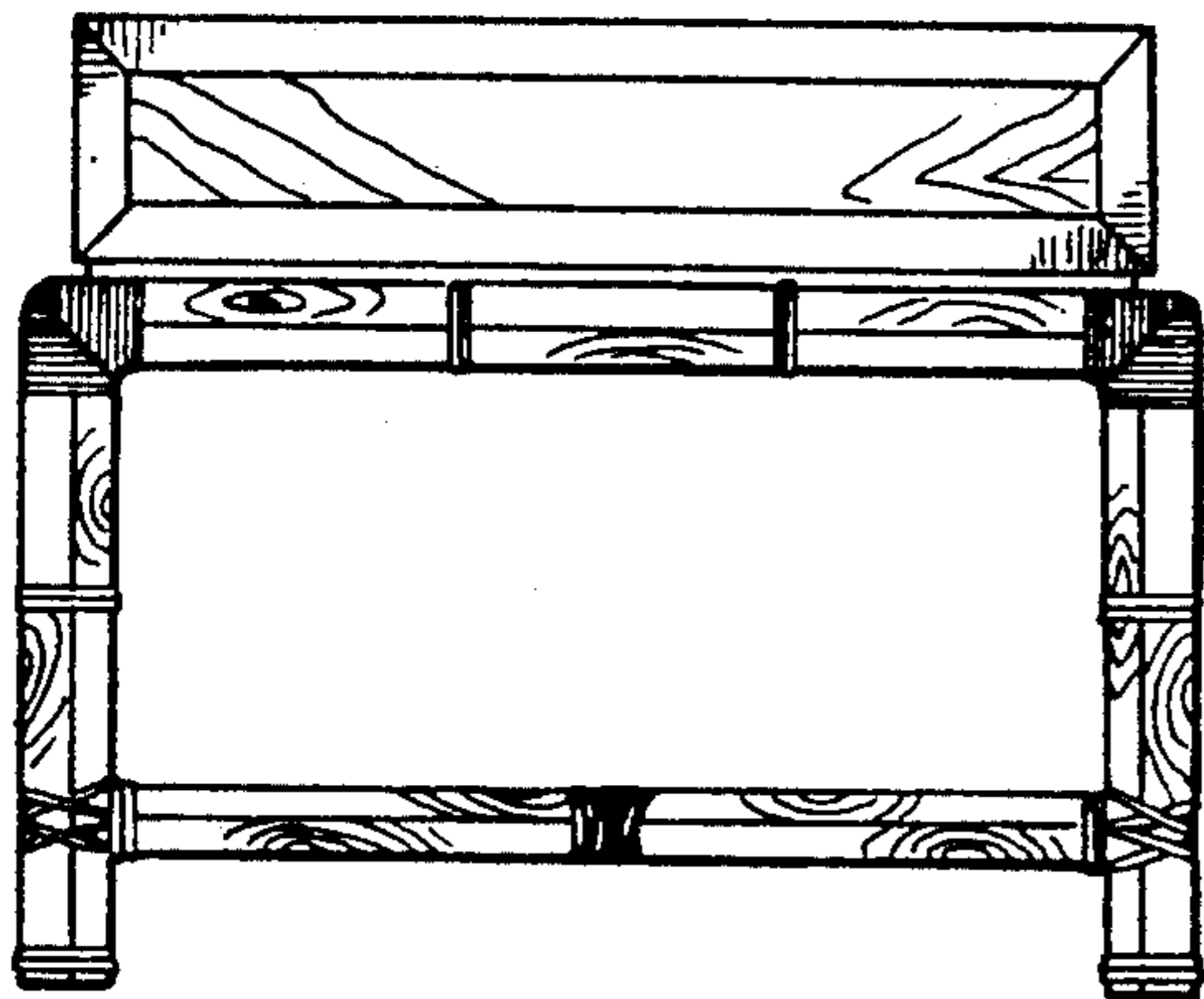


Fig-6

Fig-7

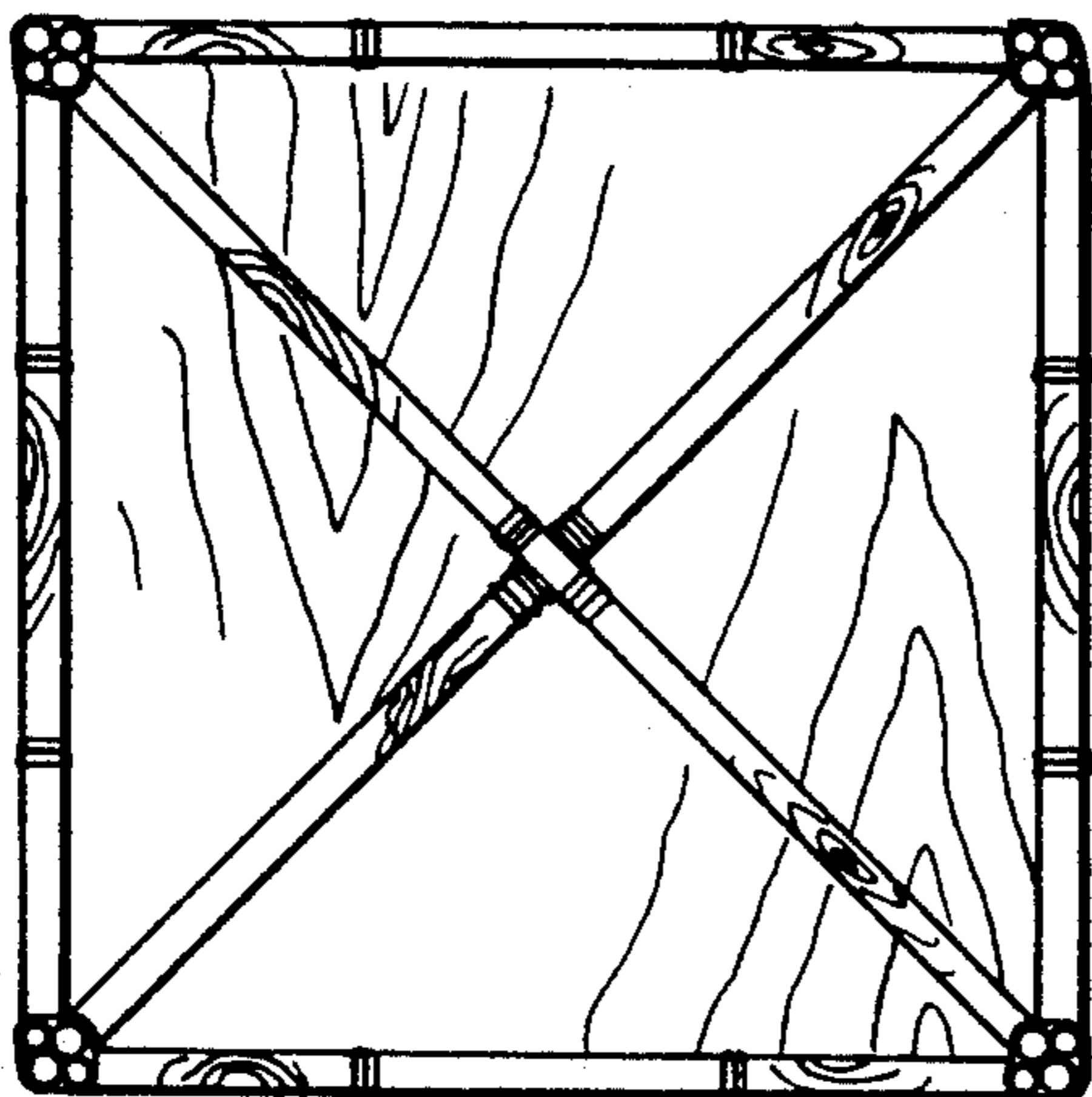
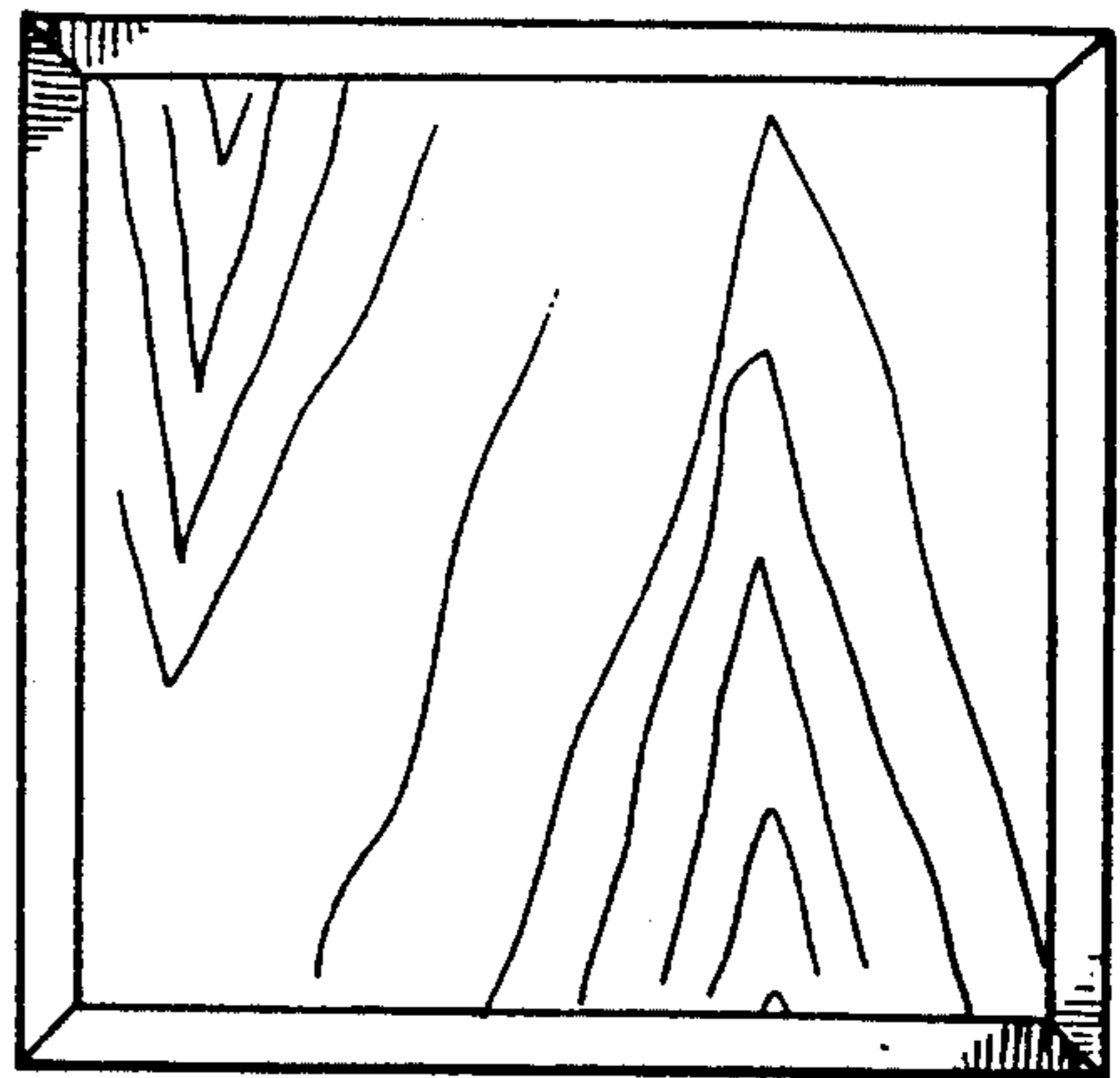


Fig-8