



US00D329550S

United States Patent [19]

[11] Patent Number: **Des. 329,550**

Moriarity

[45] Date of Patent: **** Sep. 22, 1992**

[54] **PORTABLE DESK FOR USE ATOP AN OPEN TRASH RECEPTACLE**

D. 322,813 12/1991 Wilson D19/88
D. 323,752 2/1992 Montagner D6/420
4,123,852 11/1978 Zimowski D6/420 X

[76] Inventor: **Philip D. Moriarity**, 3319 NE. 69th, Portland, Oreg. 97213

Primary Examiner—Carmen H. Vales-Lado
Attorney, Agent, or Firm—Chernoff, Vilhauer, McClung & Stenzel

[**] Term: **14 Years**

[21] Appl. No.: **622,808**

[57] **CLAIM**

[22] Filed: **Dec. 5, 1990**

The ornamental design for a portable desk for use atop an open trash receptacle, as shown and described.

[52] U.S. Cl. **D6/420; D19/88**

[58] Field of Search **D6/419, 420, 406, 429-431; D19/88, 91; 248/441.1, 460; 108/49**

DESCRIPTION

[56] **References Cited**

FIG. 1 is a perspective view of a portable desk for use atop an open trash receptacle, showing my new design; **FIG. 2** is a left side elevational view thereof; **FIG. 3** is a top plan view thereof; **FIG. 4** is a front elevational view thereof; **FIG. 5** is a rear elevational view thereof; and, **FIG. 6** is a bottom plan thereof.

U.S. PATENT DOCUMENTS

- D. 118,484 1/1940 Solomon D6/420
- D. 216,781 3/1970 Hitch D6/419 X
- D. 218,980 10/1970 Balkus D6/406
- D. 286,894 11/1986 Haas et al. D19/88
- D. 289,840 5/1987 Burkes D6/406 X
- D. 293,397 12/1987 Hunt D6/429
- D. 318,299 7/1991 Moberg D19/88

The broken lines shown in **FIGS. 1, 2 and 4** indicate environmental structure and form no part of the claimed design.

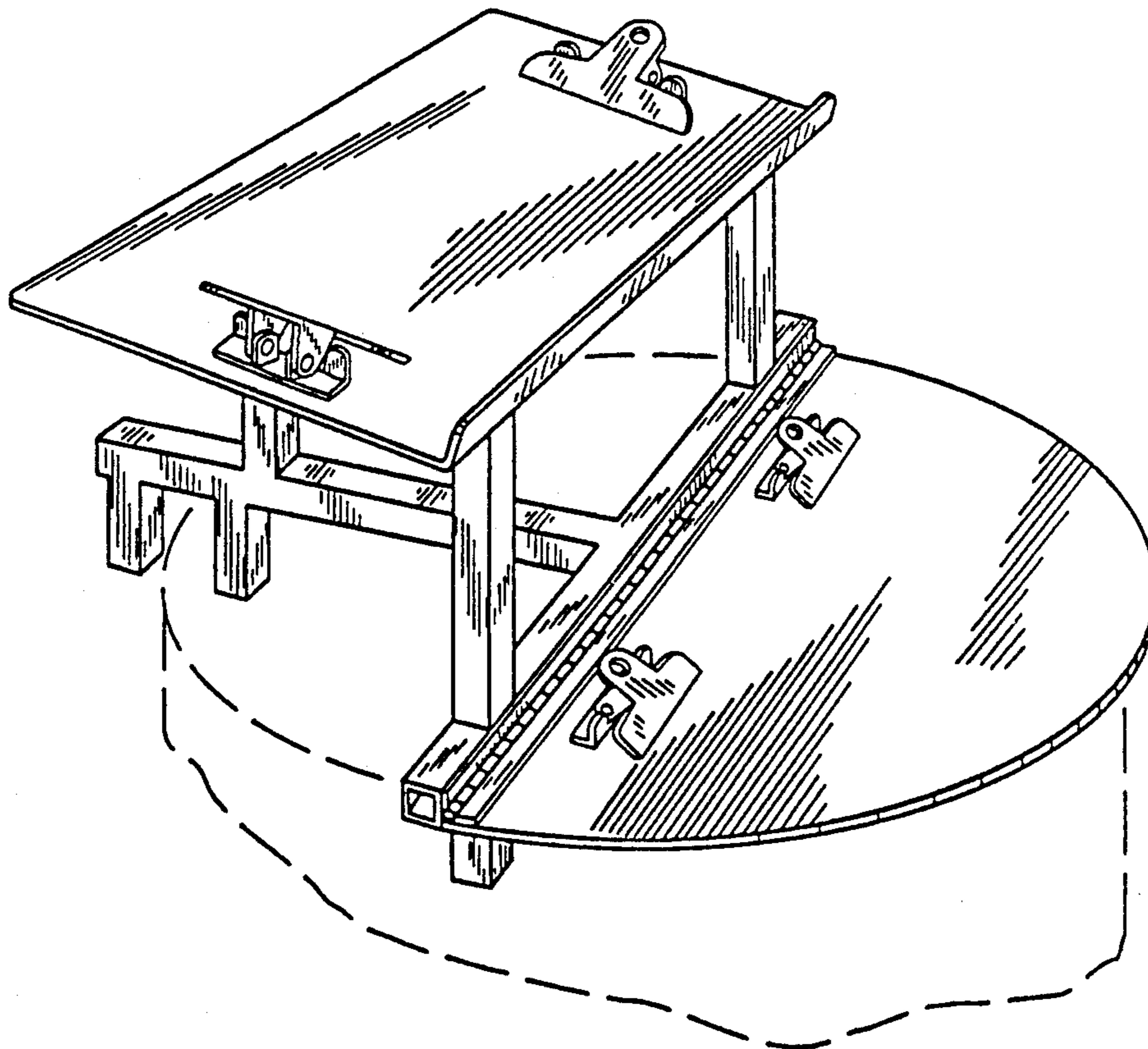


FIG. 1

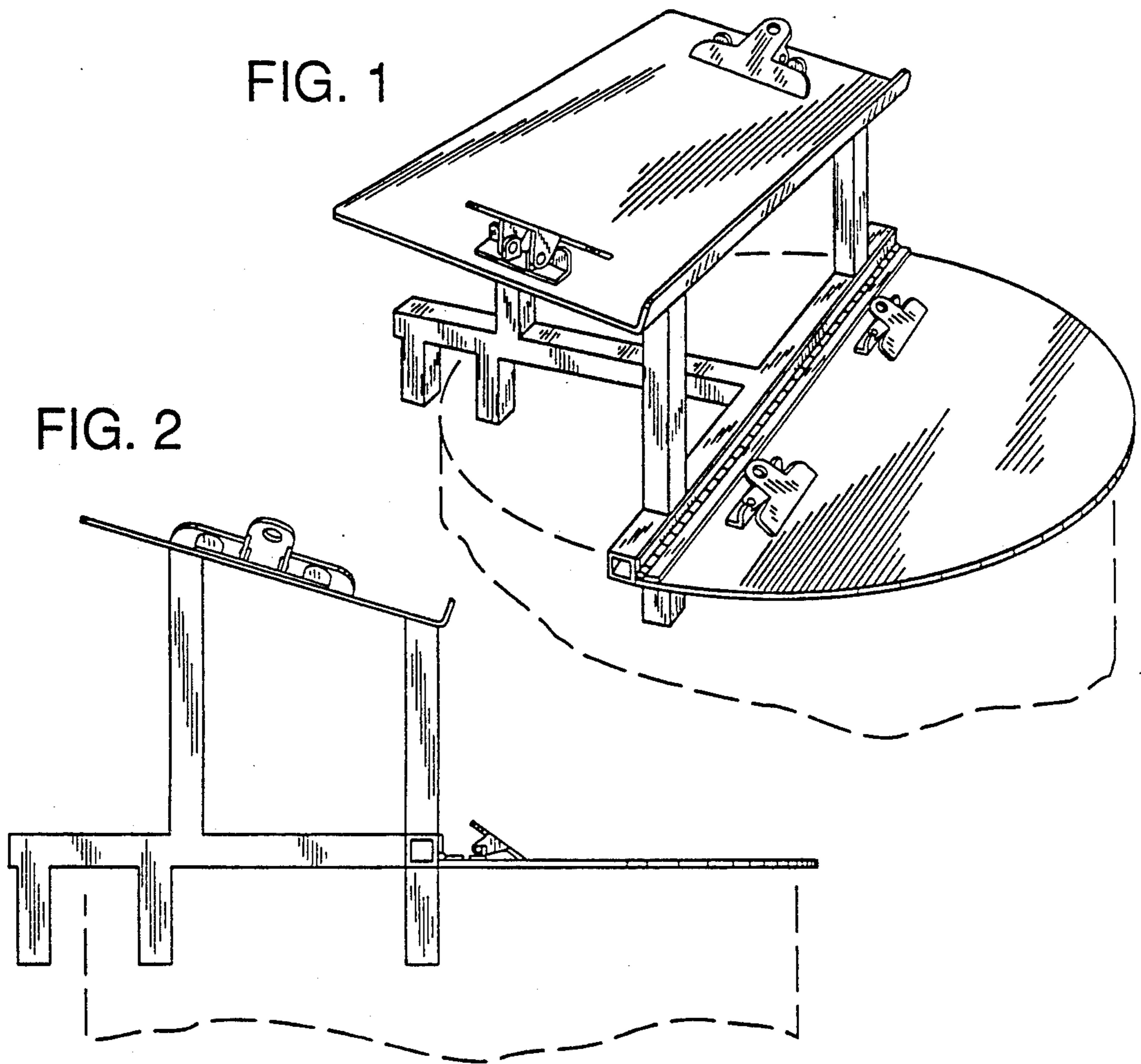


FIG. 2

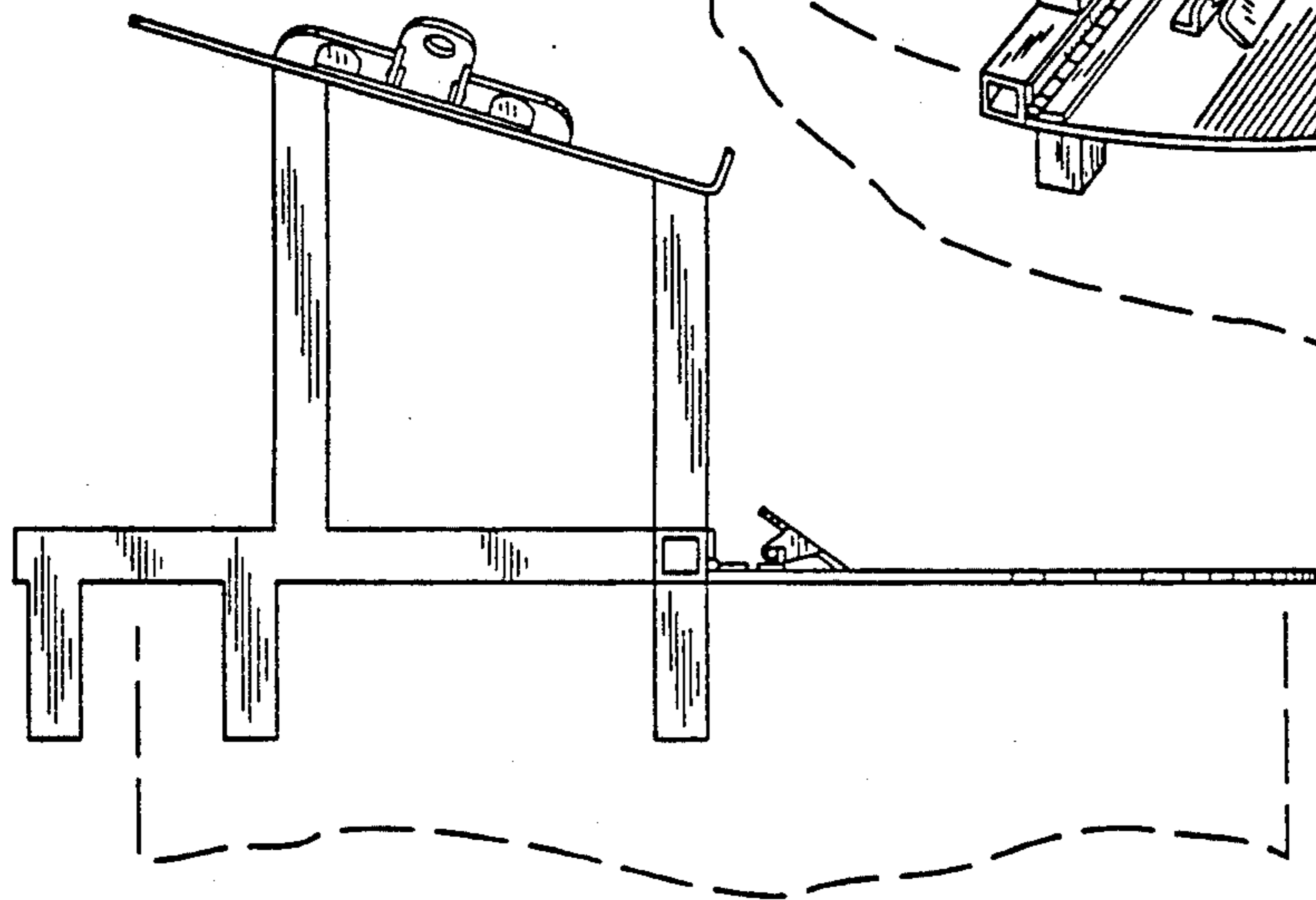


FIG. 3

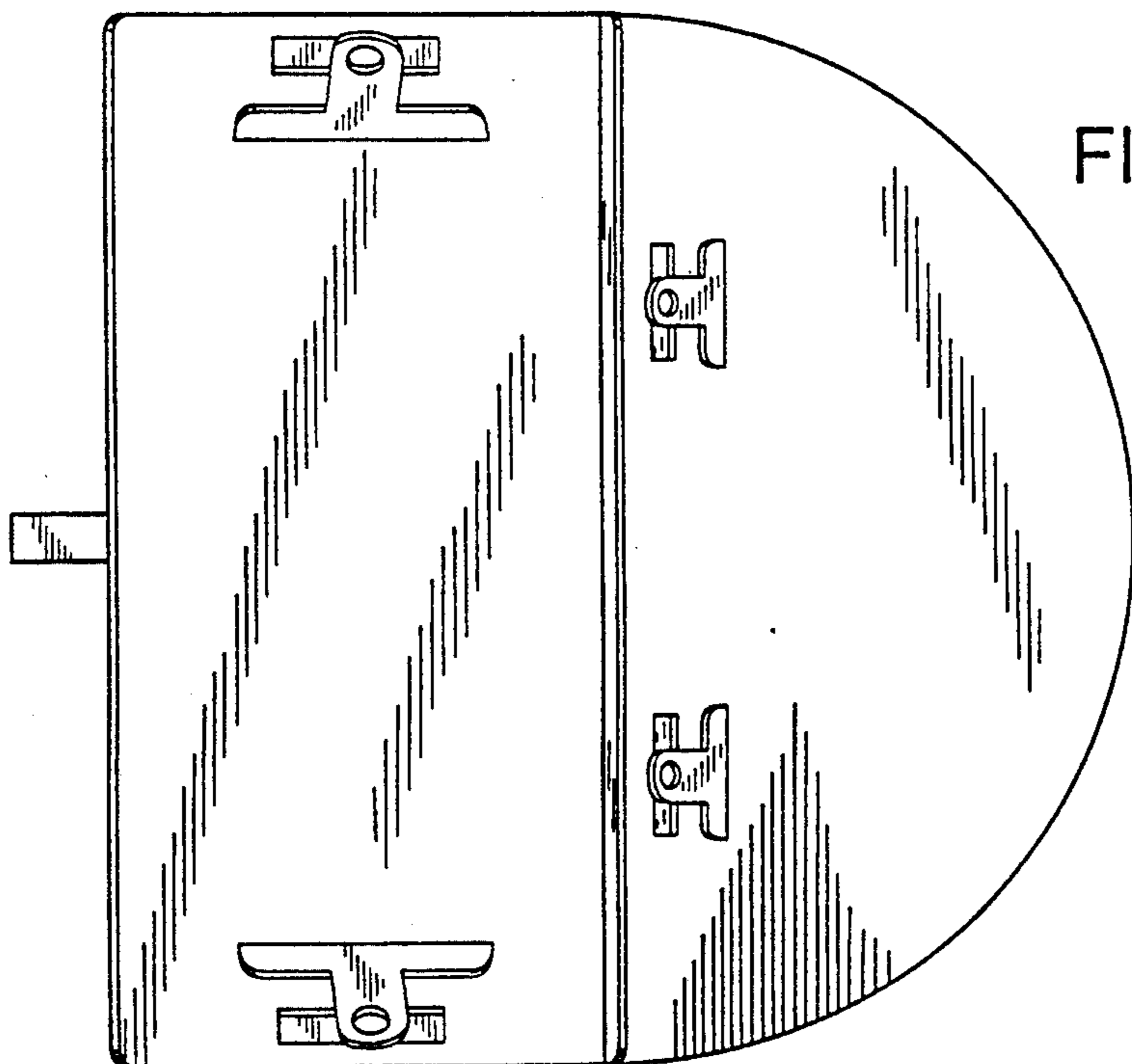


FIG. 4

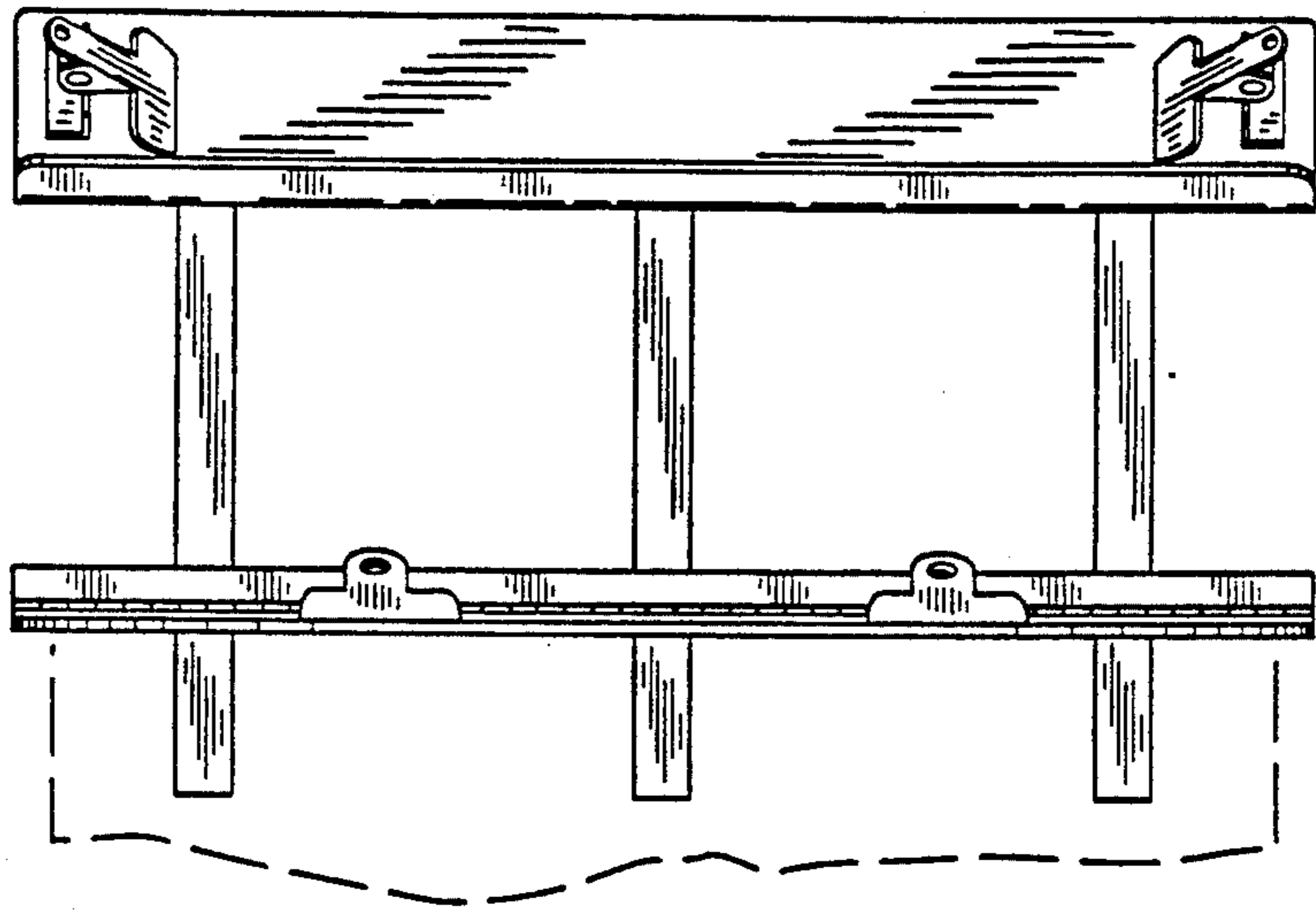


FIG. 5

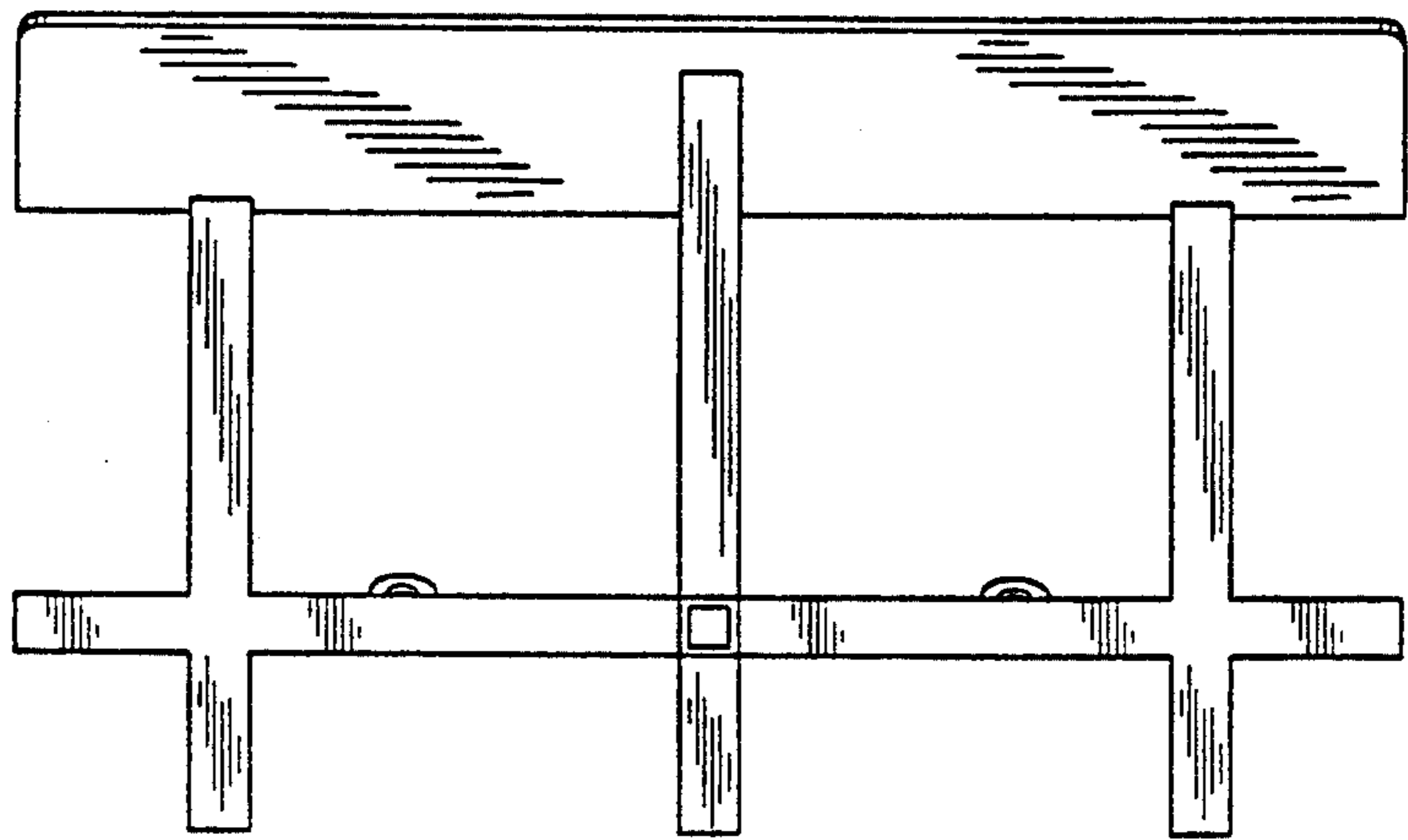


FIG. 6

