



US00D329547S

# United States Patent [19]

Hageman

[11] Patent Number: **Des. 329,547**

[45] Date of Patent: **\*\* Sep. 22, 1992**

[54] **PORTABLE DESK**

[76] Inventor: **Hugh W. Hageman**, 912 Audrey Way, Roseville, Calif. 95661

[\*\*] Term: **14 Years**

[21] Appl. No.: **438,231**

[22] Filed: **Nov. 20, 1989**

[52] U.S. Cl. .... **D6/406; D6/419**

[58] Field of Search ..... **D6/491, 509-511, D6/406, 419, 420, 338, 440; D19/91, 35, 52, 78; D3/73, 74; 312/231, 232, 233; 108/43**

[56] **References Cited**

**U.S. PATENT DOCUMENTS**

D. 284,873	7/1986	Smith	.....	D6/419 X
D. 288,099	2/1981	Abitz	.....	D6/419 X
D. 305,538	2/1990	Bienenstock	.....	D6/420
D. 320,619	10/1991	Schleeh	.....	D19/78
4,244,632	1/1981	Molinari	.....	D3/74 X

4,538,861	9/1985	Hughes, Jr.	.....	D6/406 X
4,765,583	8/1988	Tenner	.....	108/43 X

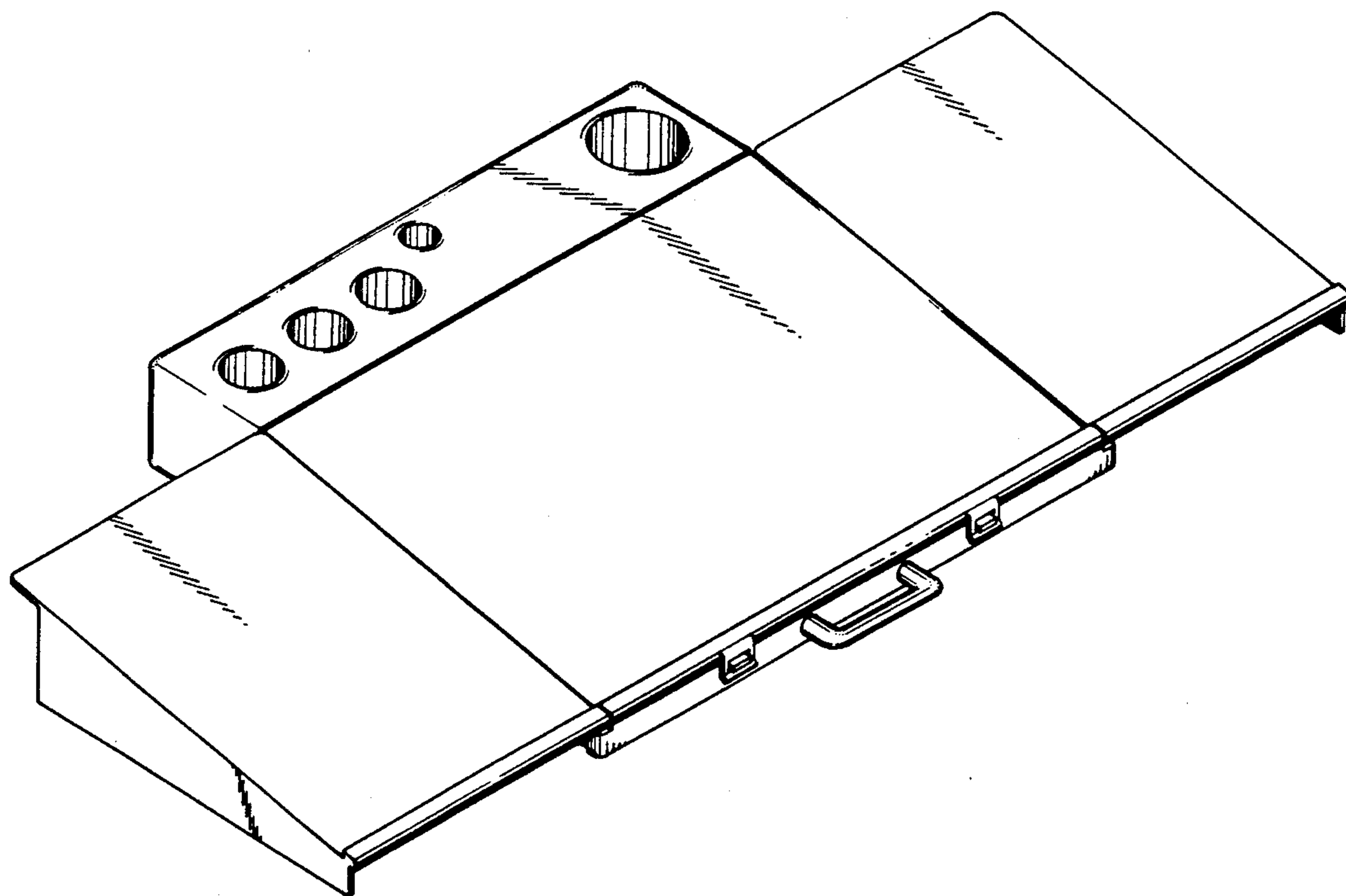
*Primary Examiner*—Nelson C. Holtje  
*Assistant Examiner*—Janice E. Seeger  
*Attorney, Agent, or Firm*—Thomas R. Lampe

[57] **CLAIM**

The ornamental design for a portable desk, as shown and described.

**DESCRIPTION**

FIG. 1 is a perspective view of a portable desk, showing my new design;  
FIG. 2 is a top plan view thereof;  
FIG. 3 is a left side elevational view, the right side being a mirror image thereof;  
FIG. 4 is a front elevational view thereof; and,  
FIG. 5 is a rear elevational view thereof.  
FIGS. 2-5 have been drawn on a reduced scale with respect to FIG. 1.



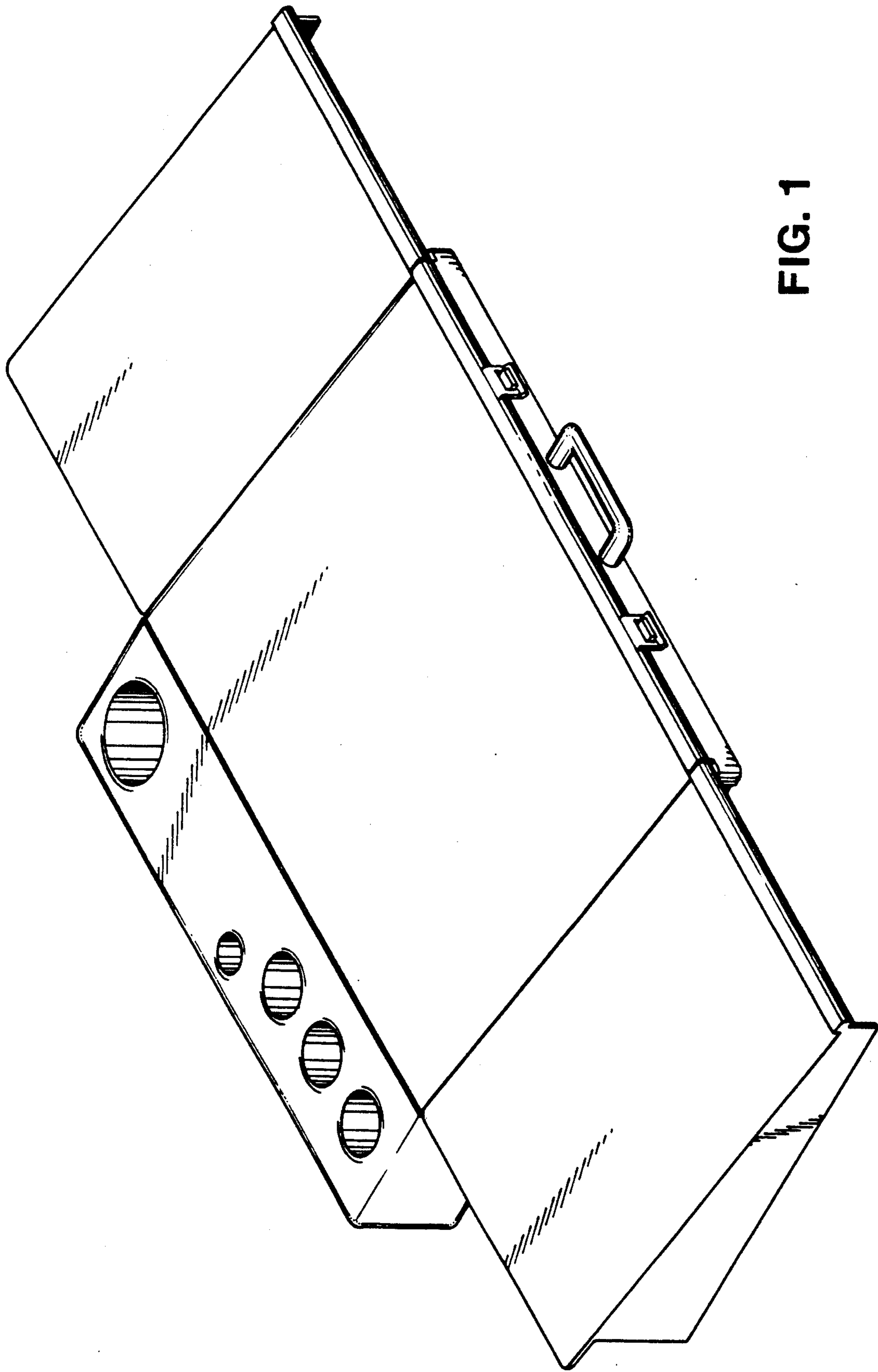


FIG. 1

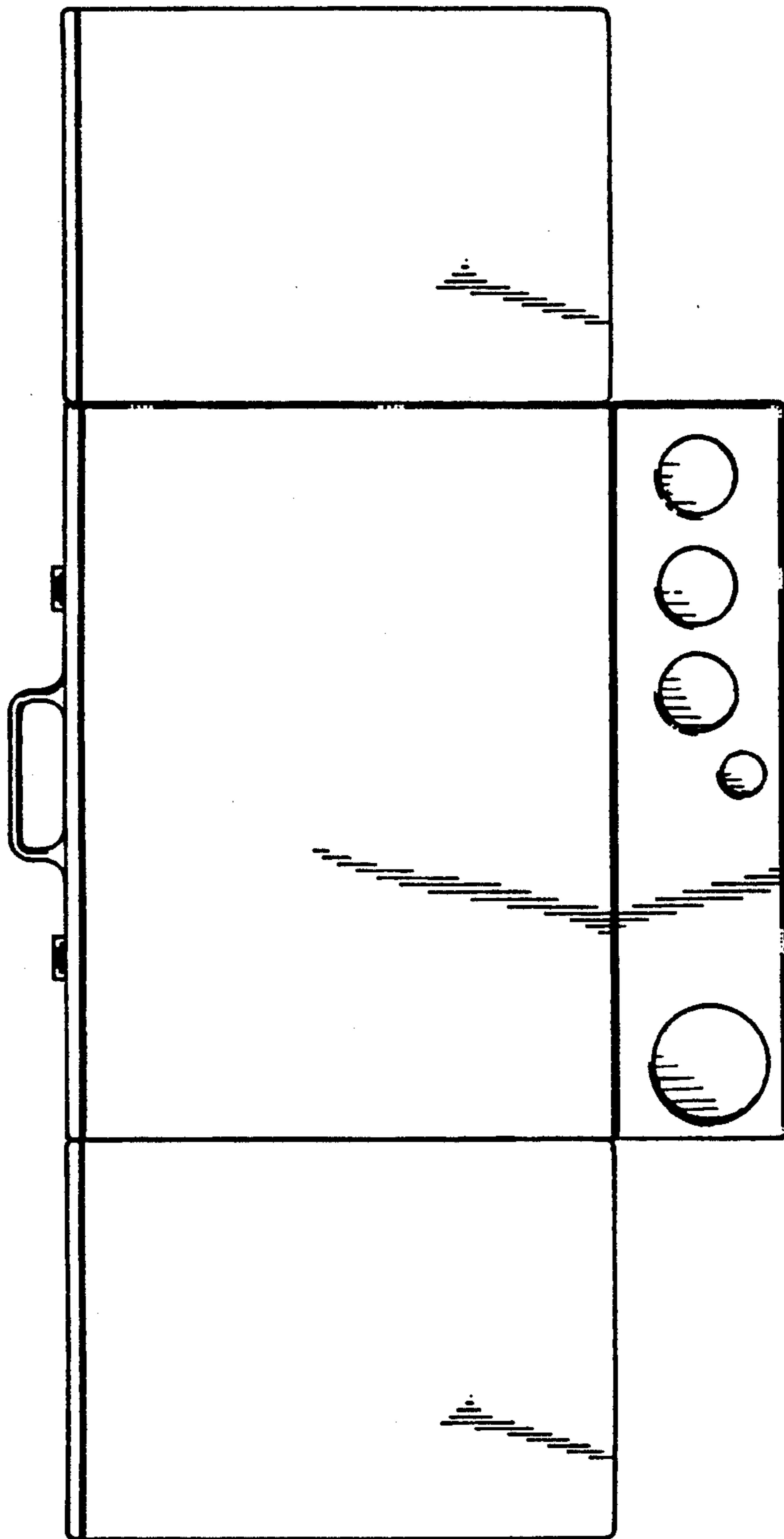
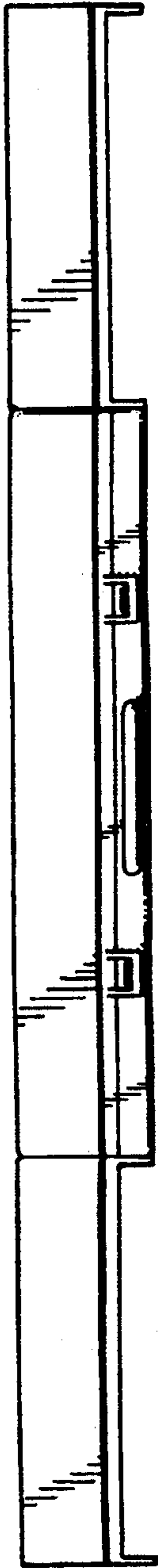


FIG. 2



FIG. 3



**FIG. 4**



**FIG. 5**