



US00D329541S

United States Patent [19]

Giblet

[11] Patent Number: **Des. 329,541**

[45] Date of Patent: **** Sep. 22, 1992**

[54] **LUGGAGE CARRIER**

[76] Inventor: **Allen L. Giblet**, 137 Quail Dr.,
Cordell, Okla. 73632

[**] Term: **14 Years**

[21] Appl. No.: **487,818**

[22] Filed: **Mar. 5, 1990**

[52] U.S. Cl. **D3/76; D3/70**

[58] Field of Search **D3/41-46,**
D3/71, 74-79, 70; 150/100, 103-108, 110-113,
117-119; 190/1, 100, 115, 107-112; 383/907

[56] **References Cited**

U.S. PATENT DOCUMENTS

- D. 86,286 2/1932 Struck et al. D3/70
- D. 142,058 8/1945 Botsford et al. D3/71
- D. 309,982 8/1990 Boitani D3/74

2,472,491 6/1949 Quinton D3/77 X

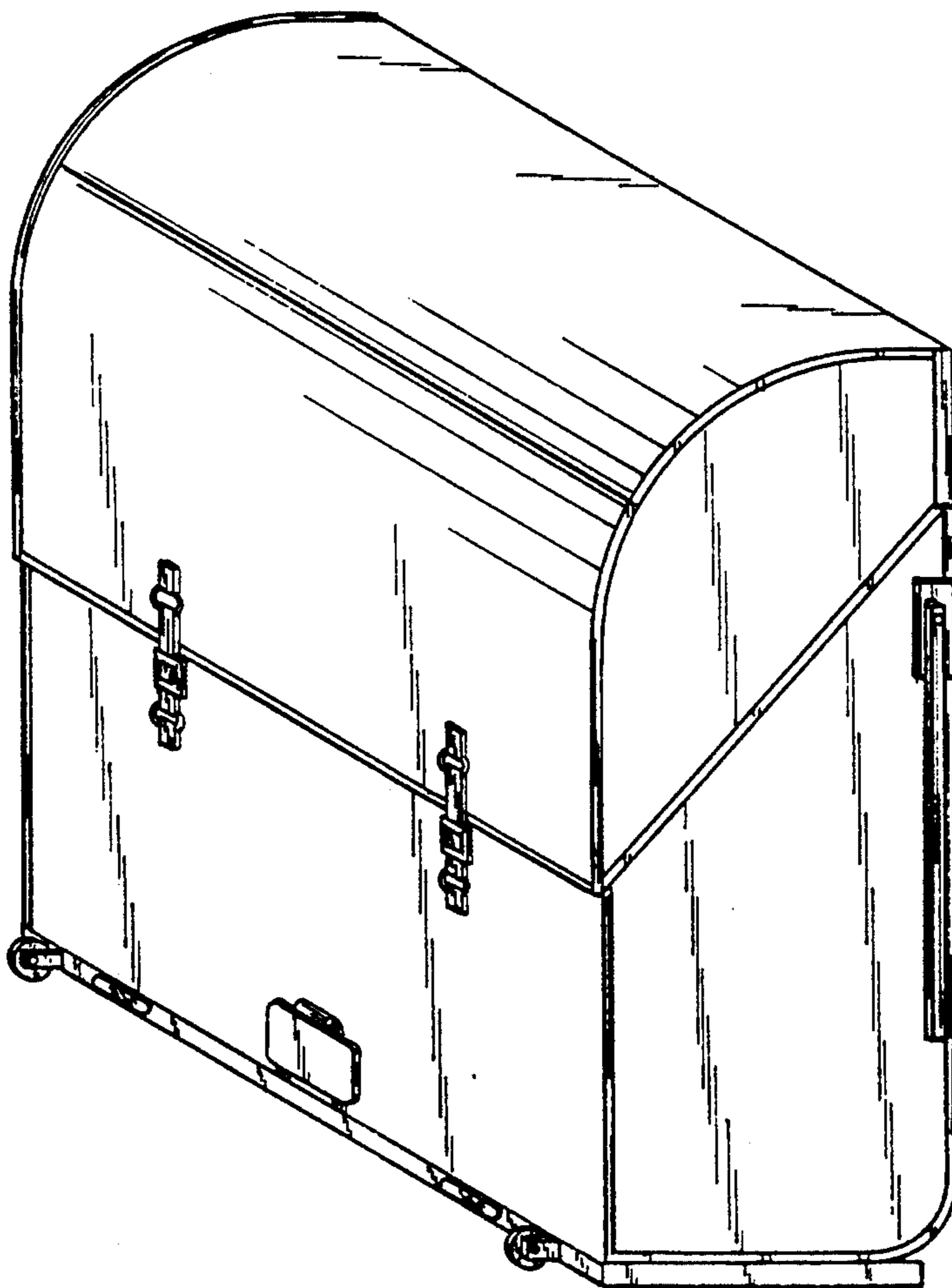
Primary Examiner—Louis S. Zarfes
Attorney, Agent, or Firm—Laney, Dougherty, Hessin &
Beavers

[57] **CLAIM**

The ornamental design for a luggage carrier, as shown and described.

DESCRIPTION

FIG. 1 is a perspective view of a luggage carrier showing my new design;
FIG. 2 is a right side elevational view;
FIG. 3 is a left side elevational view;
FIG. 4 is a rear elevational view;
FIG. 5 is a front elevational view;
FIG. 6 is a top plan view; and,
FIG. 7 is a bottom plan view.



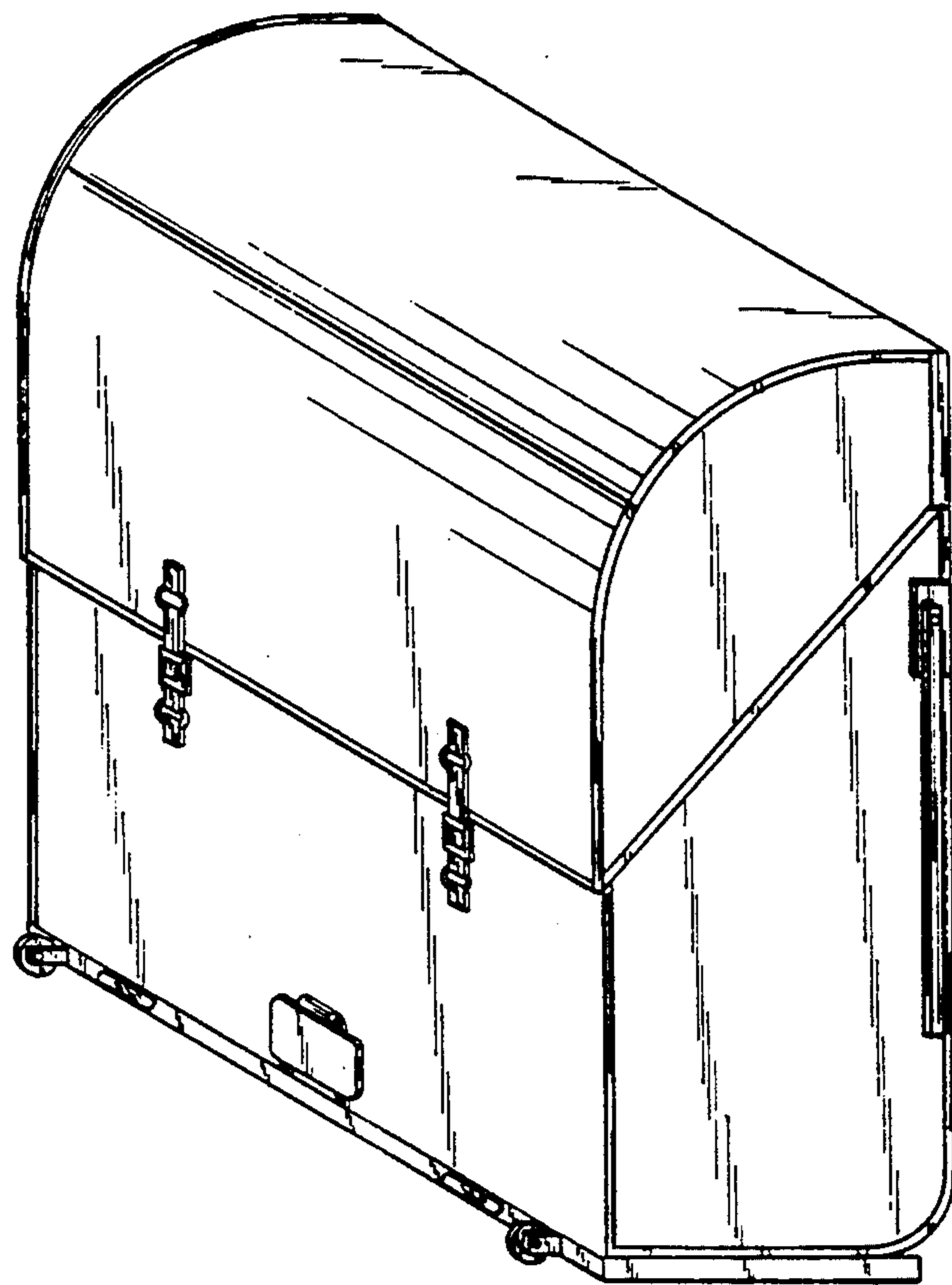


FIG. 1

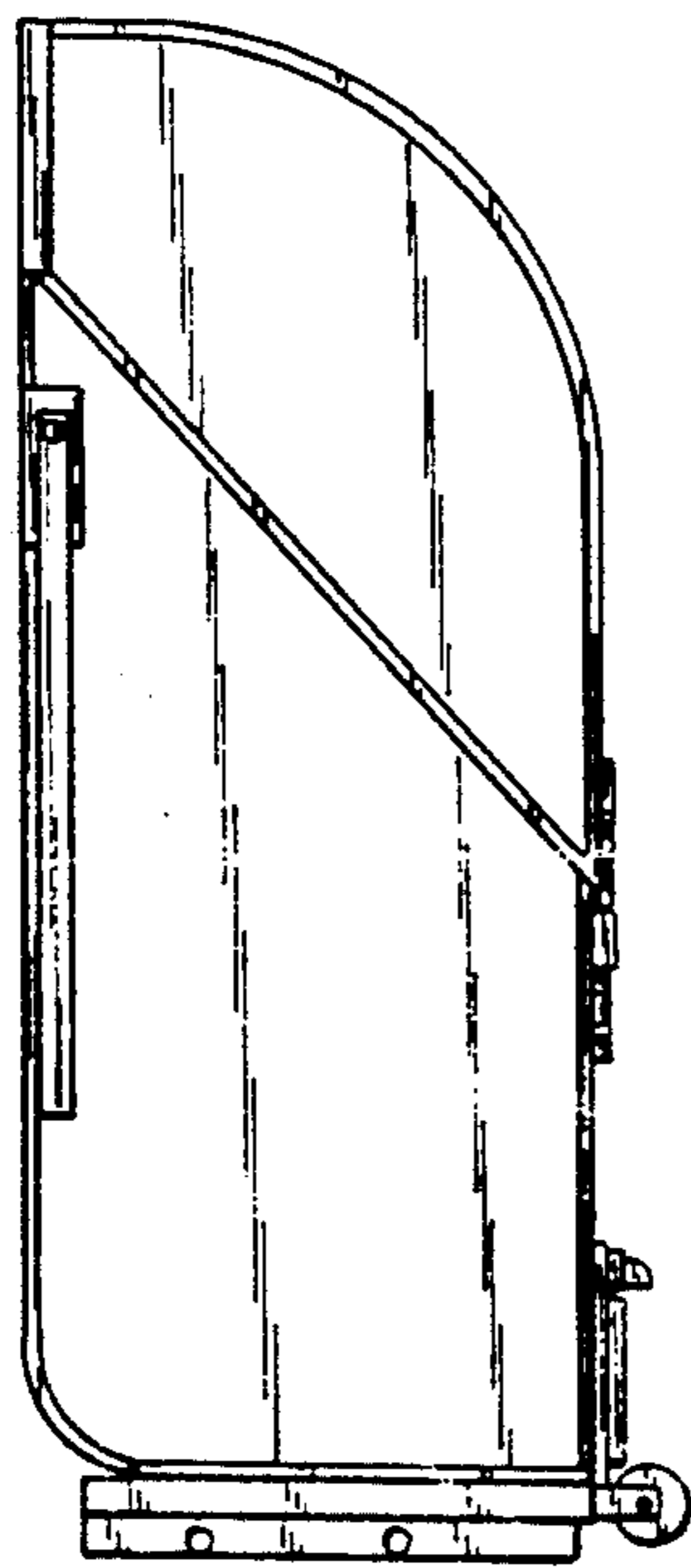


FIG. 2

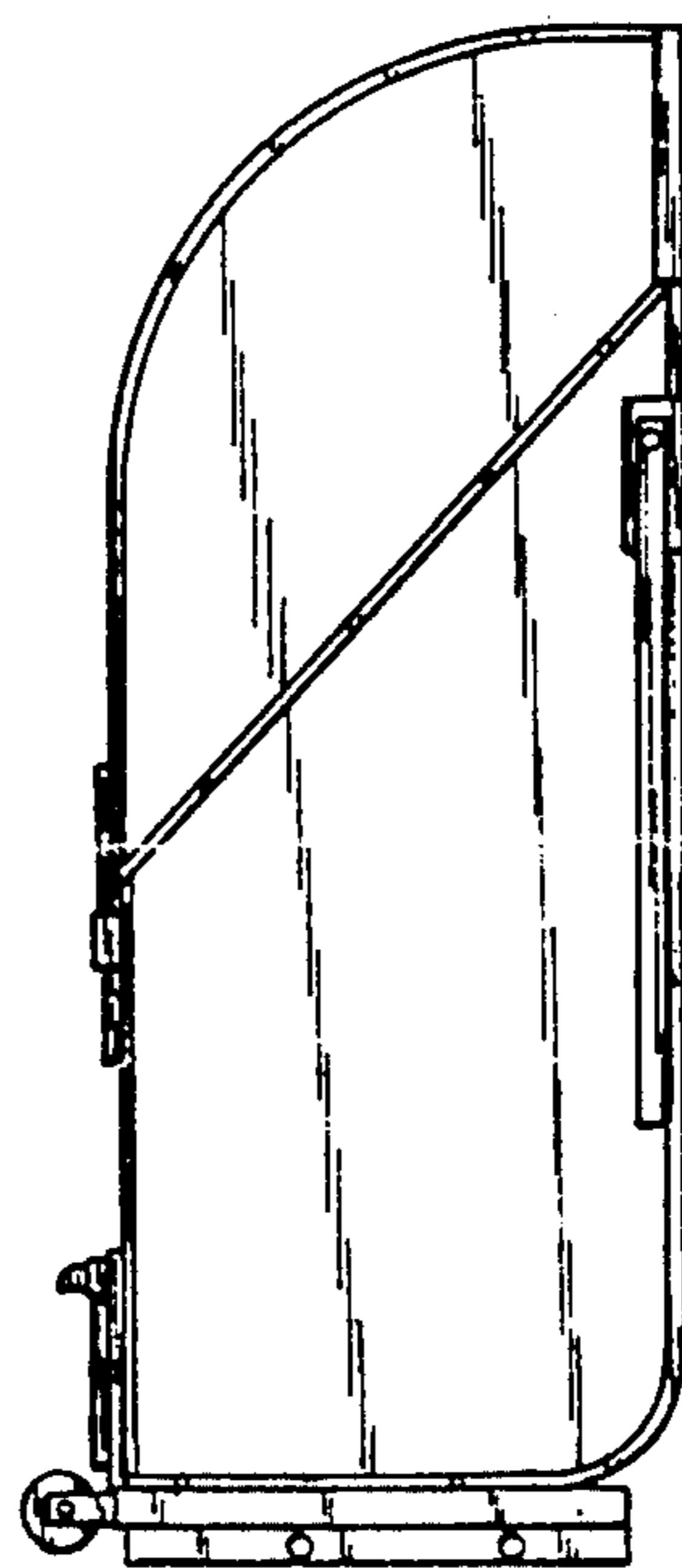


FIG. 3

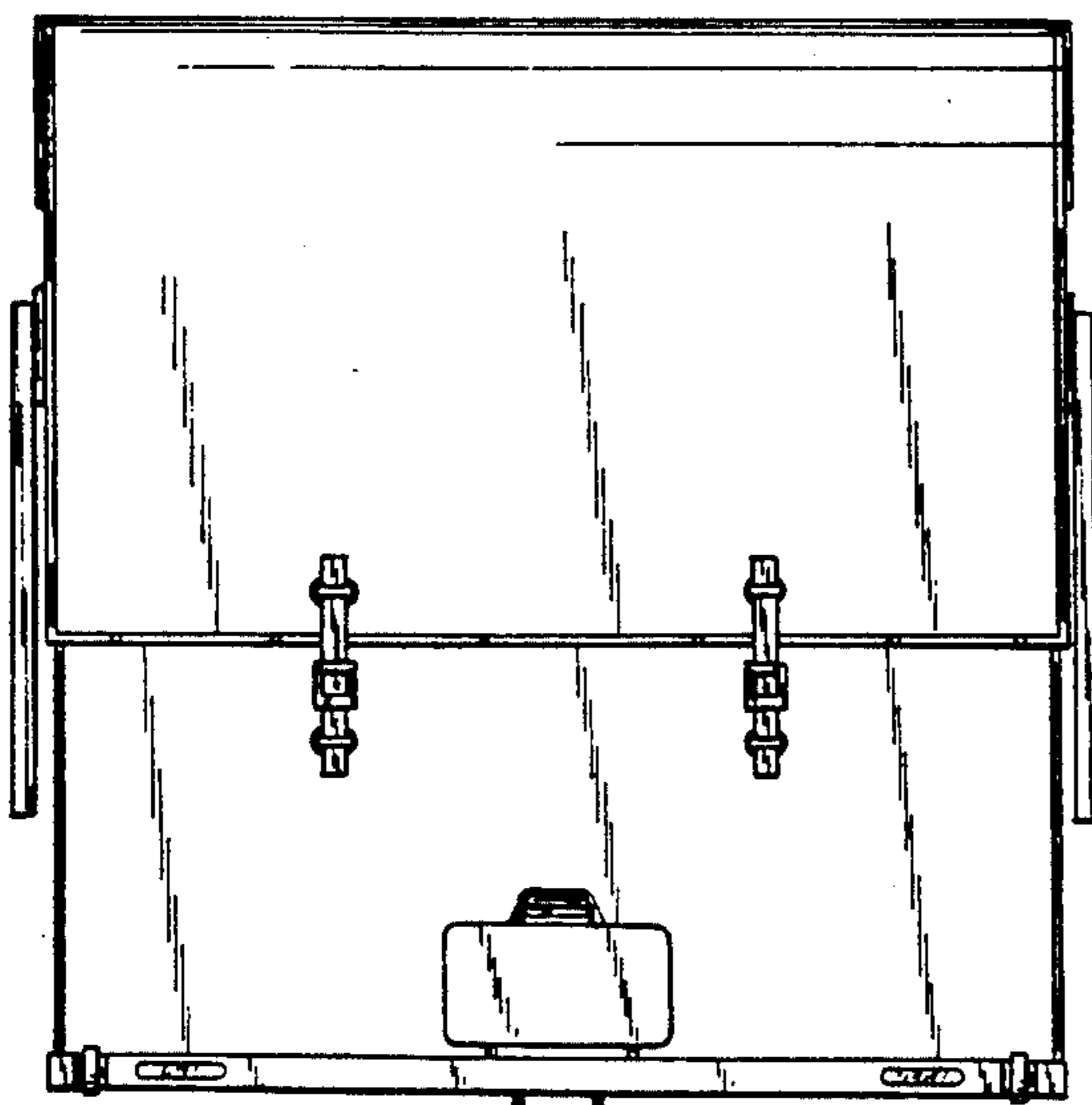


FIG. 4

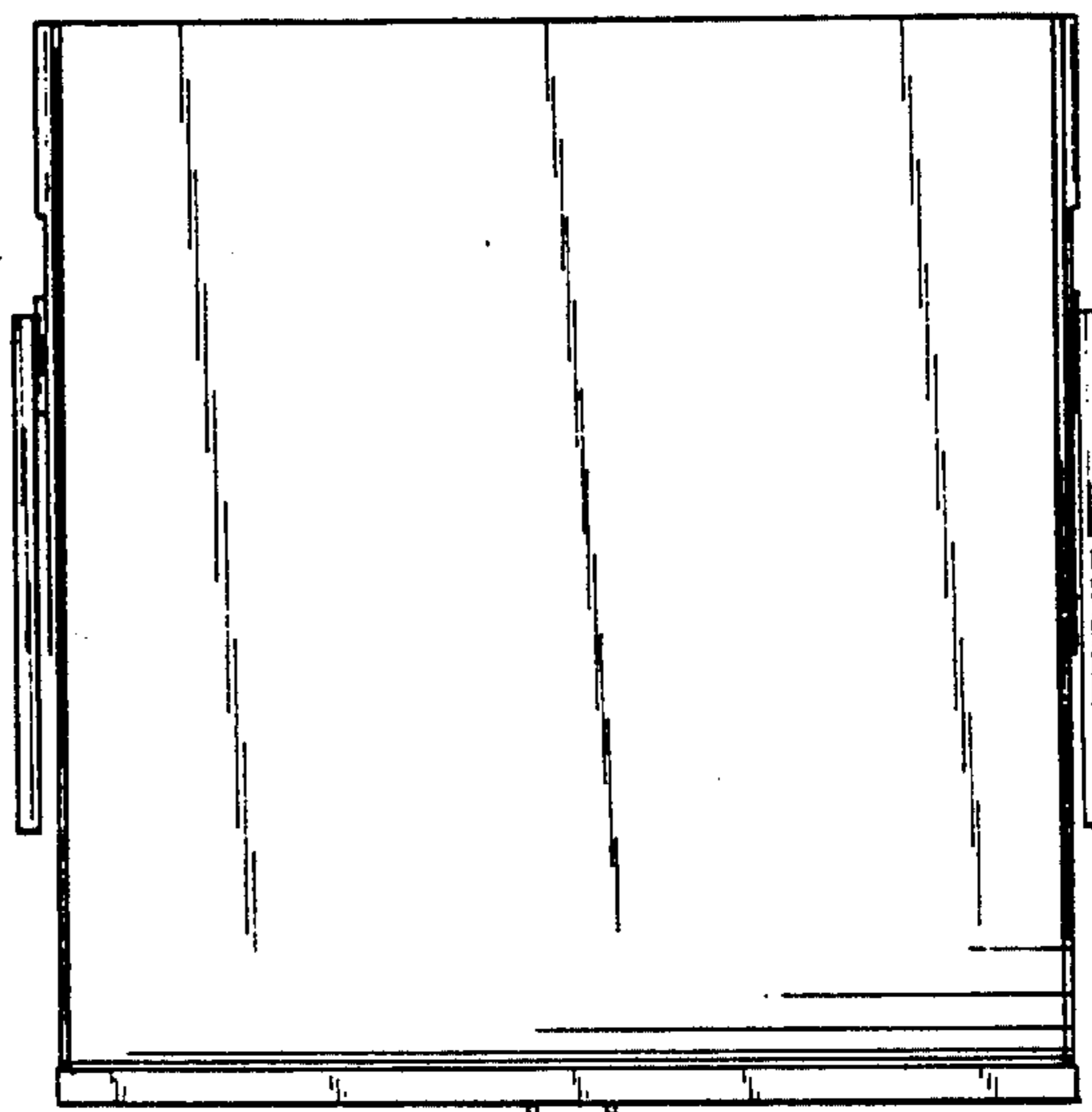


FIG. 5

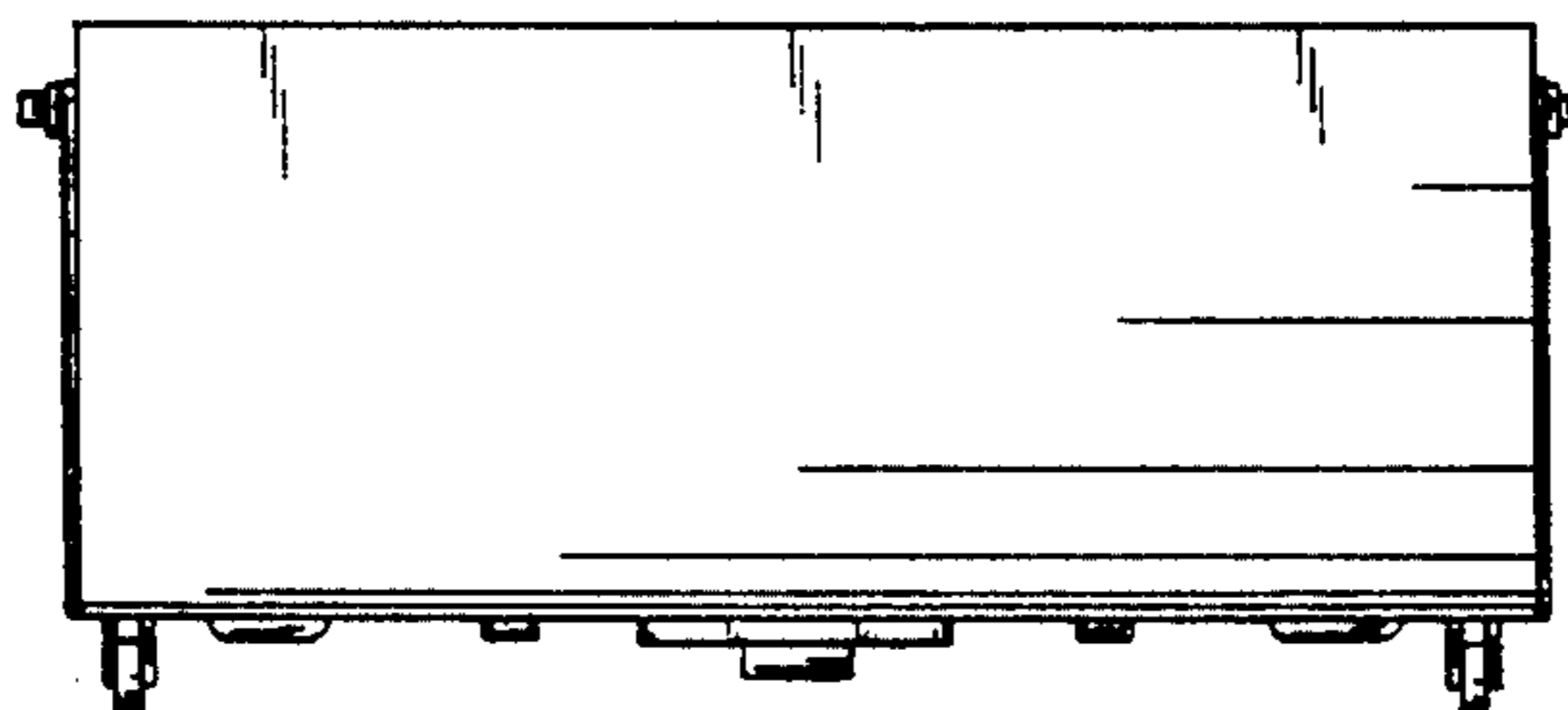


FIG. 6

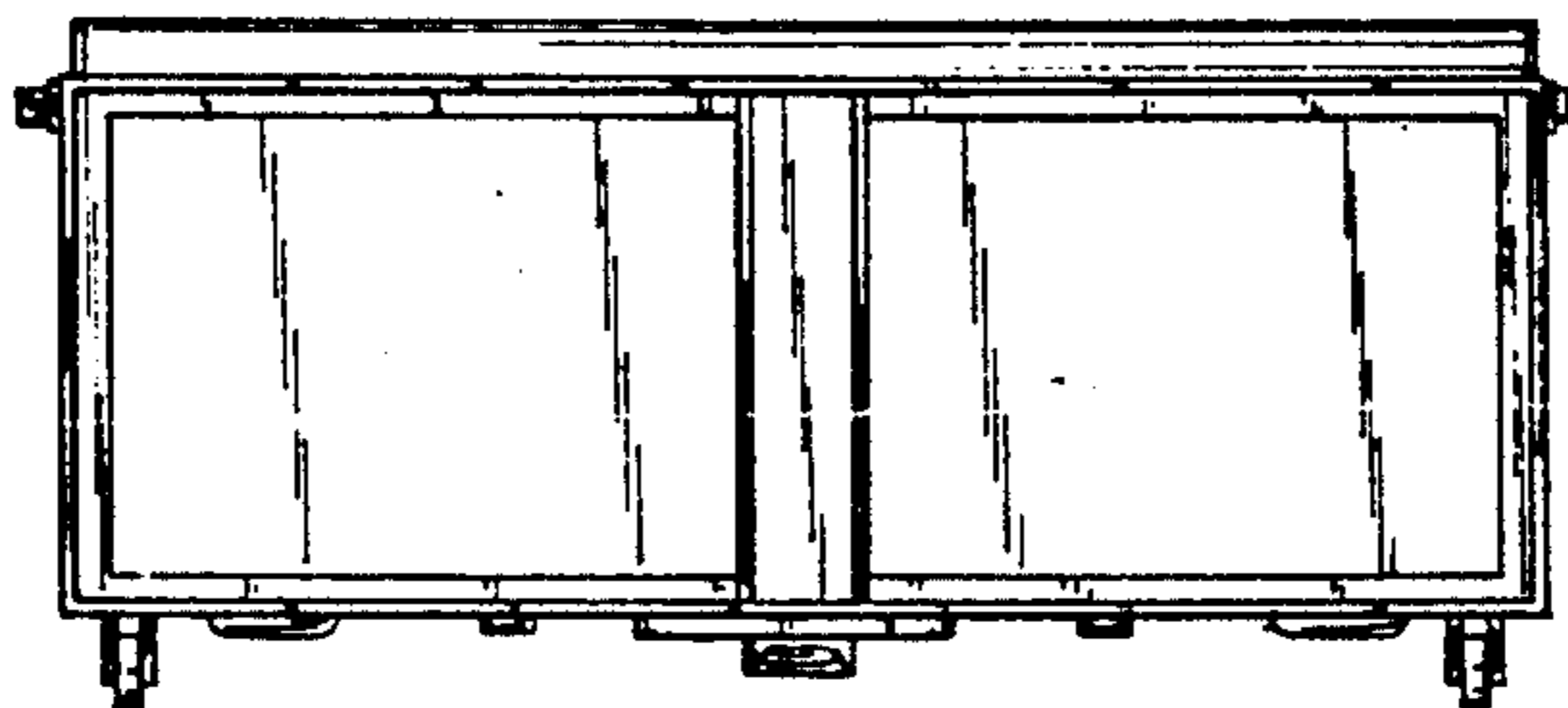


FIG. 7