



US00D329534S

United States Patent [19]
Worthington

[11] **Patent Number: Des. 329,534**
[45] **Date of Patent: ** Sep. 22, 1992**

[54] **SHOE OUTSOLE**

[75] **Inventor: William J. Worthington, Portland, Oreg.**
[73] **Assignees: Nike, Inc.; Nike International Ltd., Beaverton, Oreg.**
[**] **Term: 14 Years**
[21] **Appl. No.: 774,299**

[22] **Filed: Oct. 10, 1991**
[52] **U.S. Cl. D2/320**
[58] **Field of Search D2/264, 265, 274, 311, D2/317-322; 36/25 R, 28, 29, 43, 44, 59 R, 59 C, 114, 132, 136**

[56] **References Cited**
U.S. PATENT DOCUMENTS

D. 280,355	9/1985	Austin .	
D. 291,146	8/1987	Selbiger .	
D. 297,593	9/1988	Swett .	
D. 305,278	1/1990	Kiyosawa .	
D. 311,810	11/1990	Hatfield	D2/320
D. 321,976	12/1991	Koyosawa	D2/320
D. 323,739	2/1992	Kaiser	D2/320
D. 323,740	2/1992	Mitsui	D2/320
4,309,831	1/1982	Pritt	36/3 B

OTHER PUBLICATIONS

Spring 1990 Nike Footwear Catalog, published Jun., 1989, pp. 56, 57, 120, 121.
Fall 1991 Nike Footwear Catalog, published Jan., 1991, pp. 126, 127.

Primary Examiner—Louis S. Zarfus
Attorney, Agent, or Firm—Banner, Birch, McKie & Beckett

[57] **CLAIM**

The ornamental design for a shoe outsole, as shown and described.

DESCRIPTION

FIG. 1 is a bottom plan view of a shoe outsole showing my new design;
FIG. 2 is a side elevational view of the lateral side of the shoe outsole shown in FIG. 1;
FIG. 3 is a side elevational view of the medial side of the shoe outsole shown in FIG. 1;
FIG. 4 is a cross sectional view of the shoe outsole taken across section 4—4 shown in FIG. 1;
FIG. 5 is a cross sectional view of the shoe outsole taken across section 5—5 shown in FIG. 1;
FIG. 6 is a cross sectional view of the shoe outsole taken across section 6—6 shown in FIG. 1;
FIG. 7 is a cross sectional view of the shoe outsole taken across section 7—7 shown in FIG. 1; and,
FIG. 8 is a cross sectional view of the shoe outsole taken across section 8—8 shown in FIG. 1.

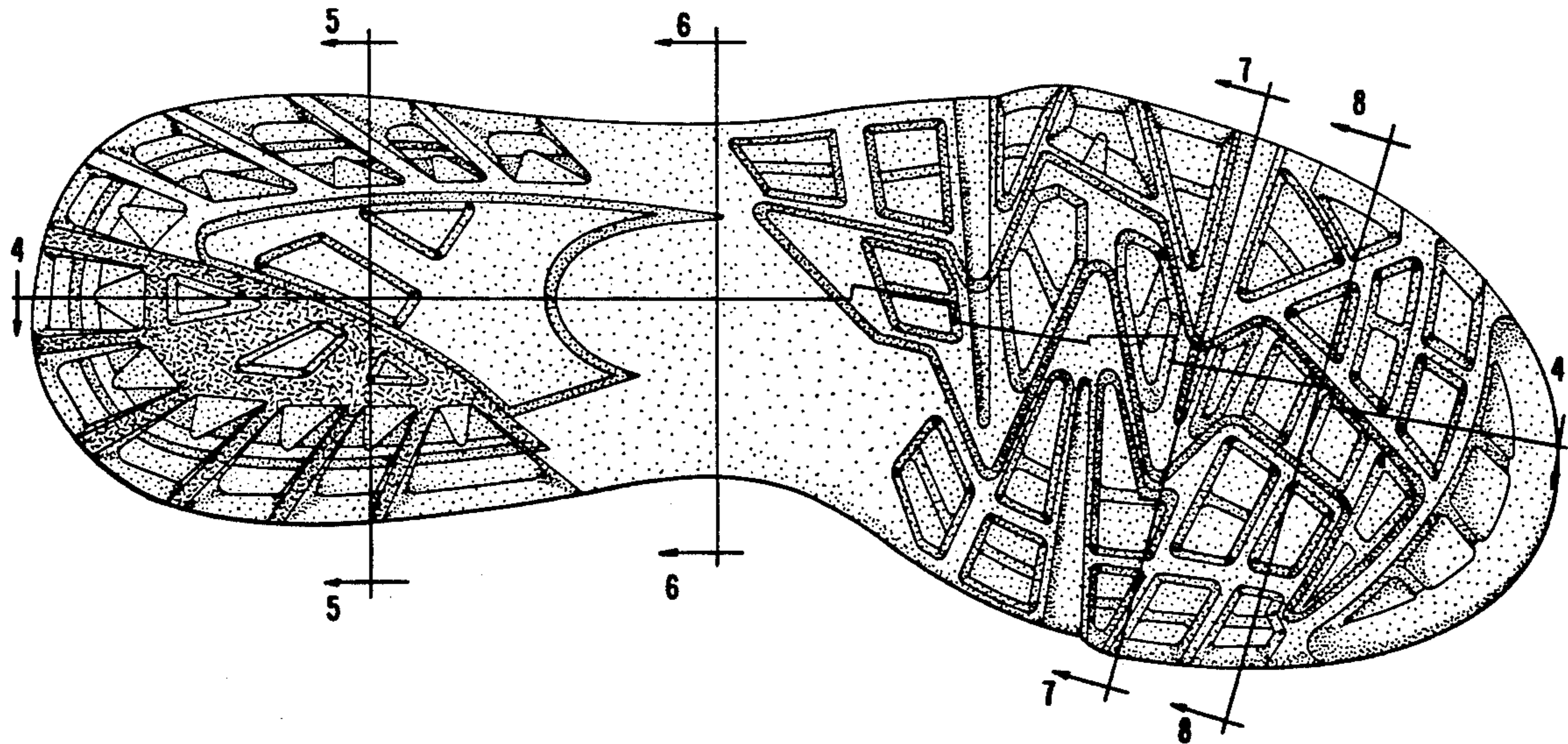
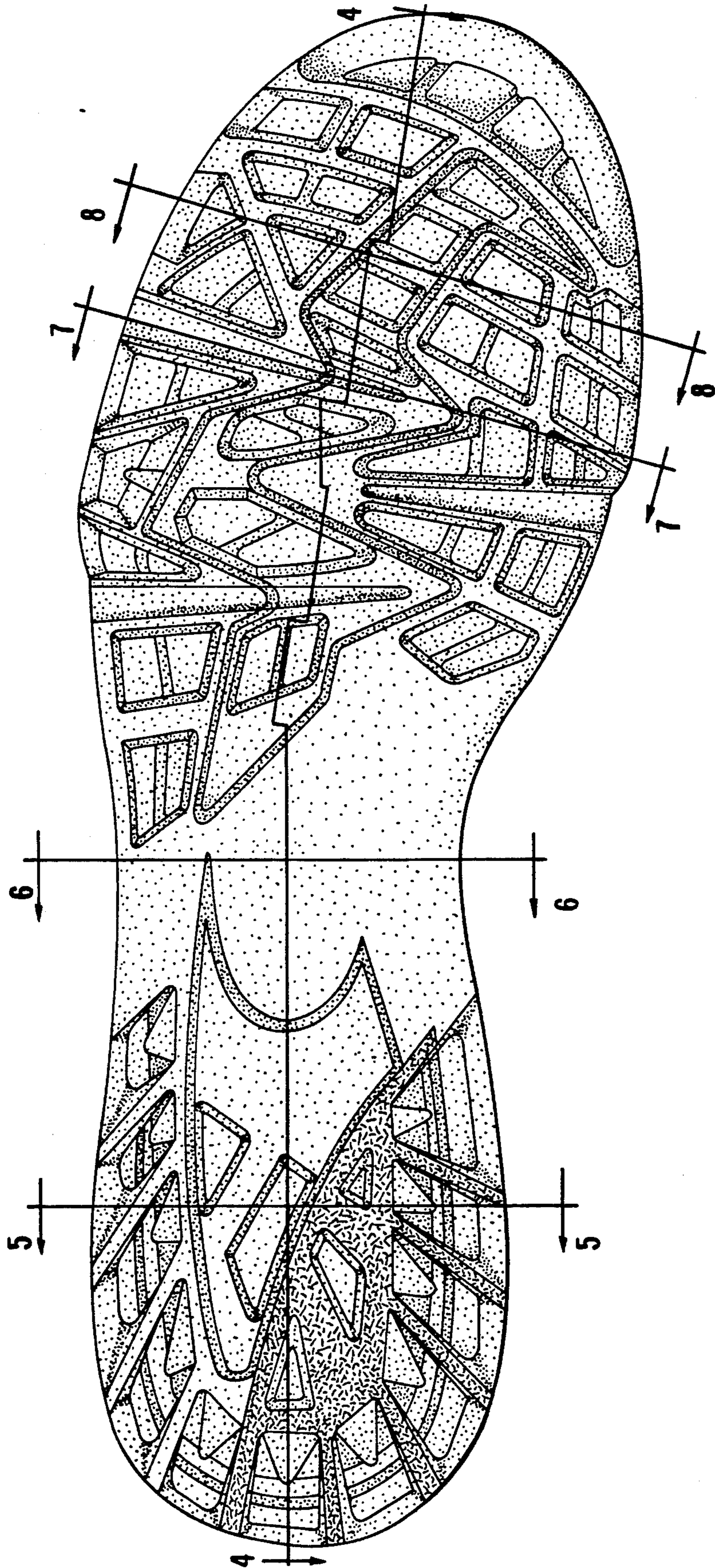


FIG. 1



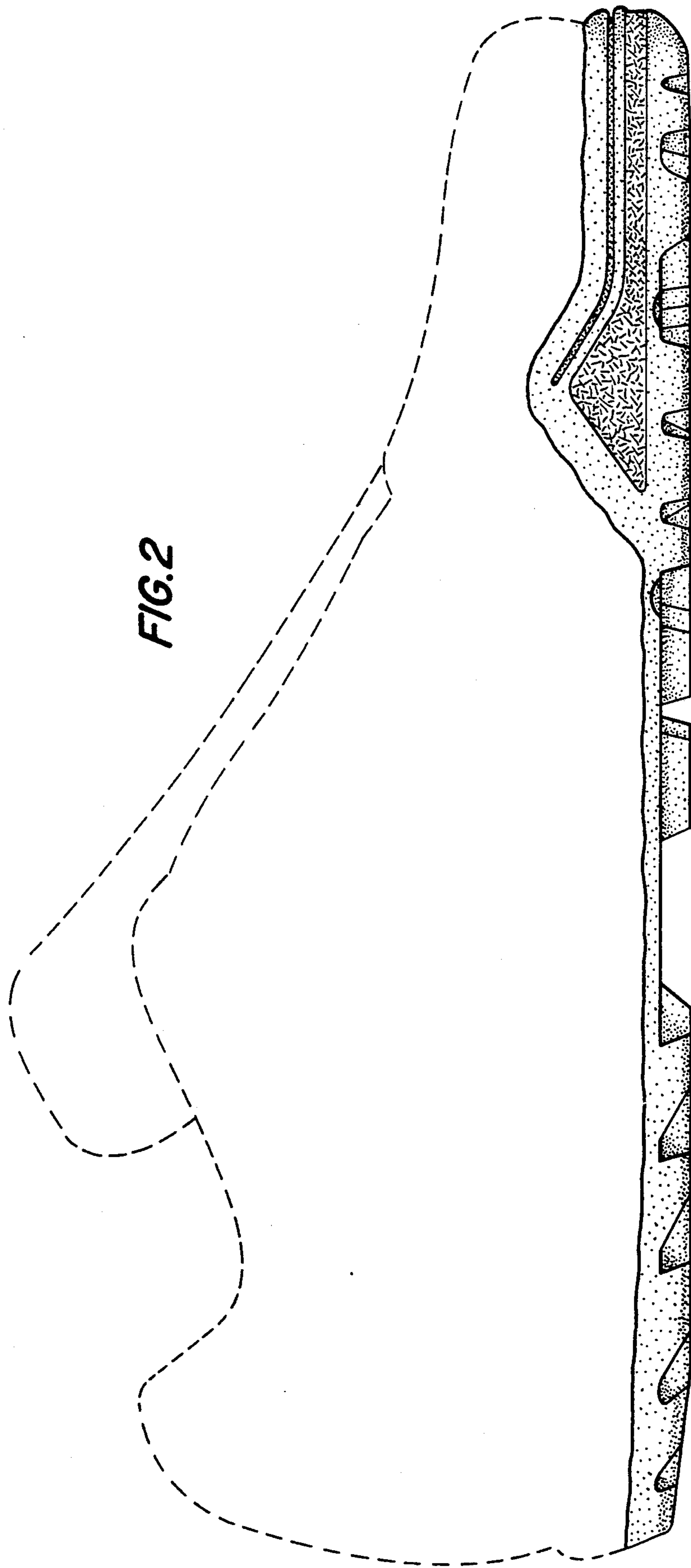


FIG. 2

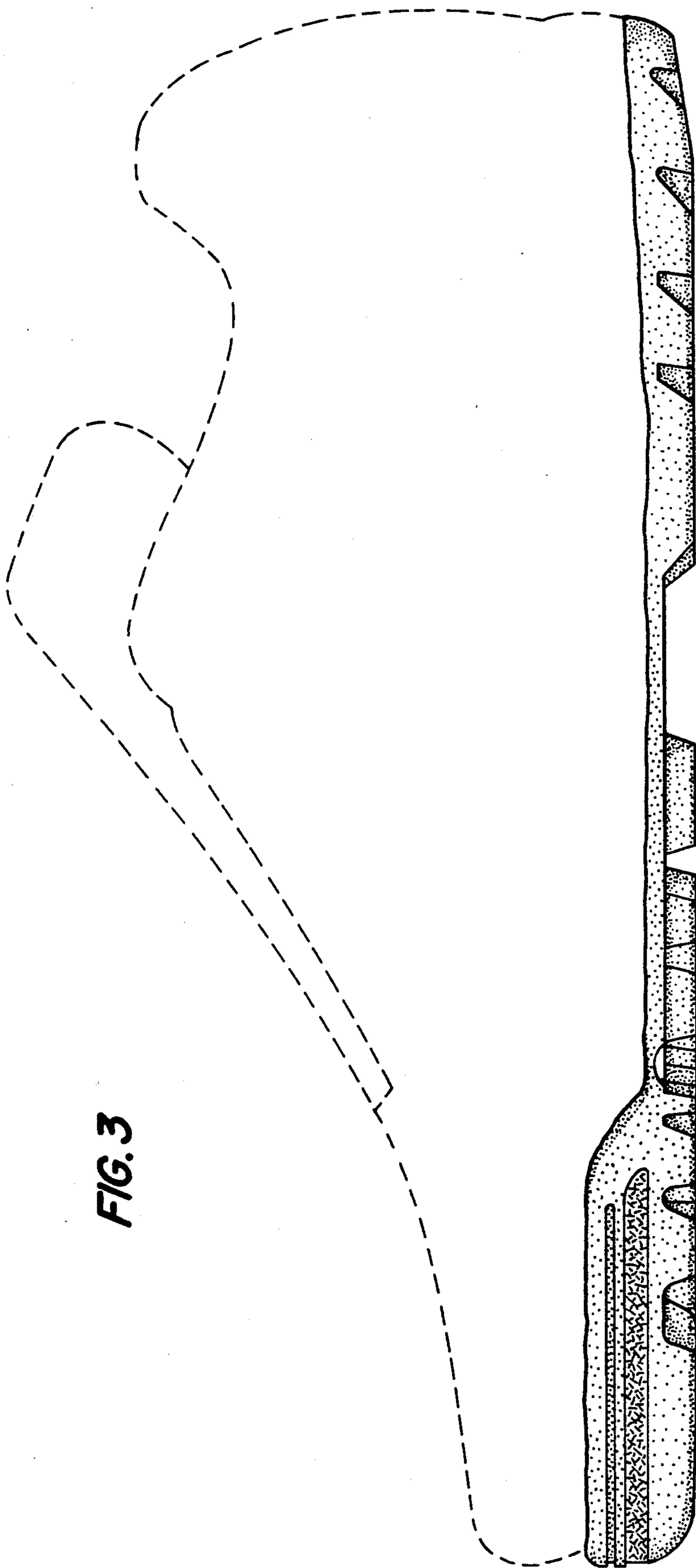


FIG. 3

FIG. 5



FIG. 7



FIG. 6



FIG. 8

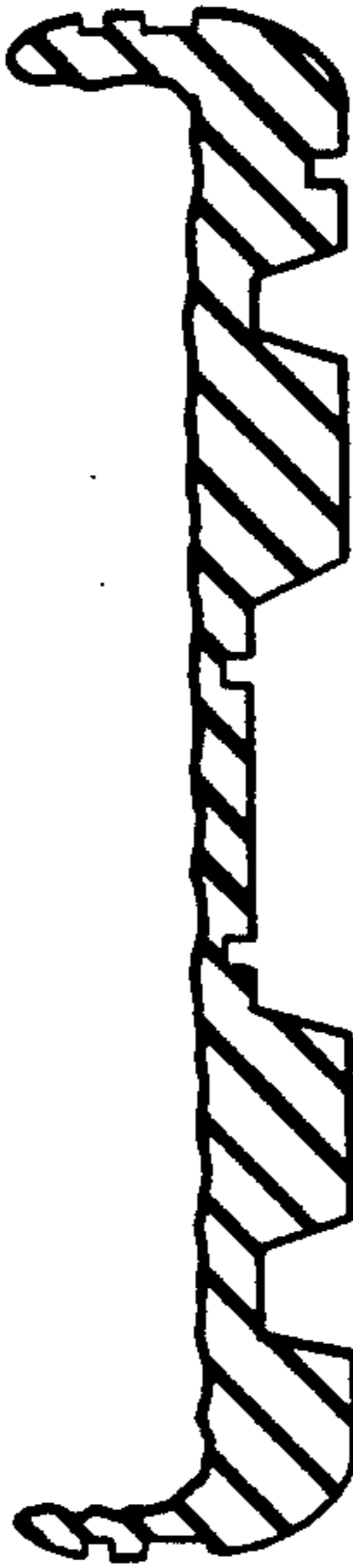


FIG. 4

