



US00D329529S

United States Patent [19]

Hatfield

[11] Patent Number: **Des. 329,529**

[45] Date of Patent: **** Sep. 22, 1992**

- [54] **MIDSOLE OF A SHOE**
- [75] Inventor: **Tinker L. Hatfield, Portland, Oreg.**
- [73] Assignees: **Nike, Inc., Beaverton, Oreg.; Nike Int'l., Ltd., Bermuda**
- [**] Term: **14 Years**
- [21] Appl. No.: **695,779**
- [22] Filed: **May 6, 1991**

- D. 265,017 6/1982 Vermonet D2/320
- D. 265,019 6/1982 Vermonet D2/320
- D. 297,885 10/1988 Tong D2/320
- D. 312,918 12/1990 Aveni D2/314
- D. 315,442 5/1991 Kilgore et al. D2/320
- 4,918,841 4/1990 Turner et al. 36/114

Primary Examiner—Louis S. Zarfaz
Attorney, Agent, or Firm—Banner, Birch, McKie & Beckett

Related U.S. Application Data

- [62] Division of Ser. No. 539,047, Jun. 15, 1990, Pat. No. Des. 316,626.
- [52] U.S. Cl. **D2/314**
- [58] Field of Search D2/264, 265, 274, 308-314, D2/317-322; 36/25 R, 28, 29, 32 R, 59 R, 59 C, 101-106, 112-116, 132, 136, 43, 45

References Cited

U.S. PATENT DOCUMENTS

- D. 261,446 10/1981 Schmohl D2/309

[57] CLAIM

The ornamental design for a midsole of a shoe, as shown and described.

DESCRIPTION

FIG. 1 is a bottom plan view of a midsole of a shoe showing my new design;
 FIG. 2 is a left side elevational view thereof;
 FIG. 3 is a right side elevational view thereof;
 FIG. 4 is a front elevational view of the midsole; and,
 FIG. 5 is a rear elevational view thereof.
 The broken line showing of an upper and outsole in FIGS. 1-5 is for illustrative purposes only and forms no part of the claimed invention.

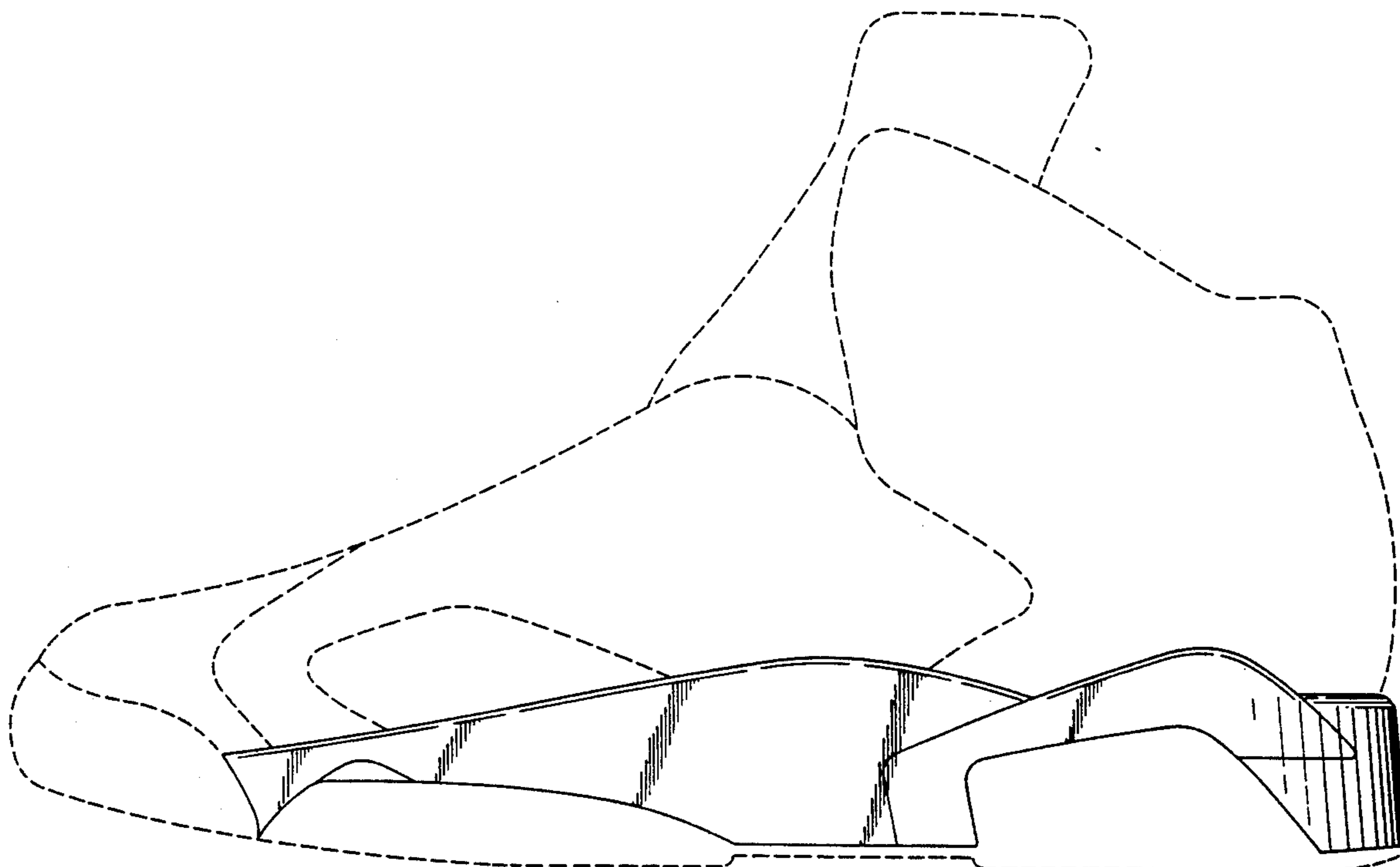
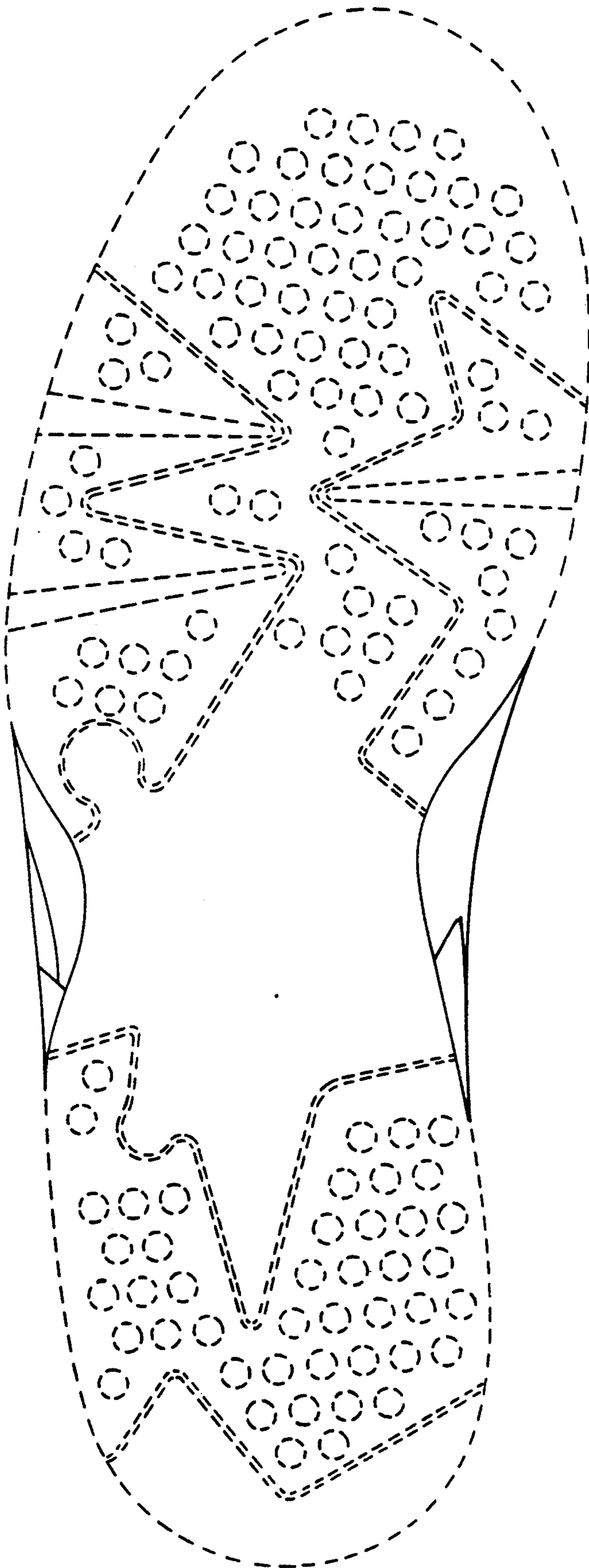


FIG. 1



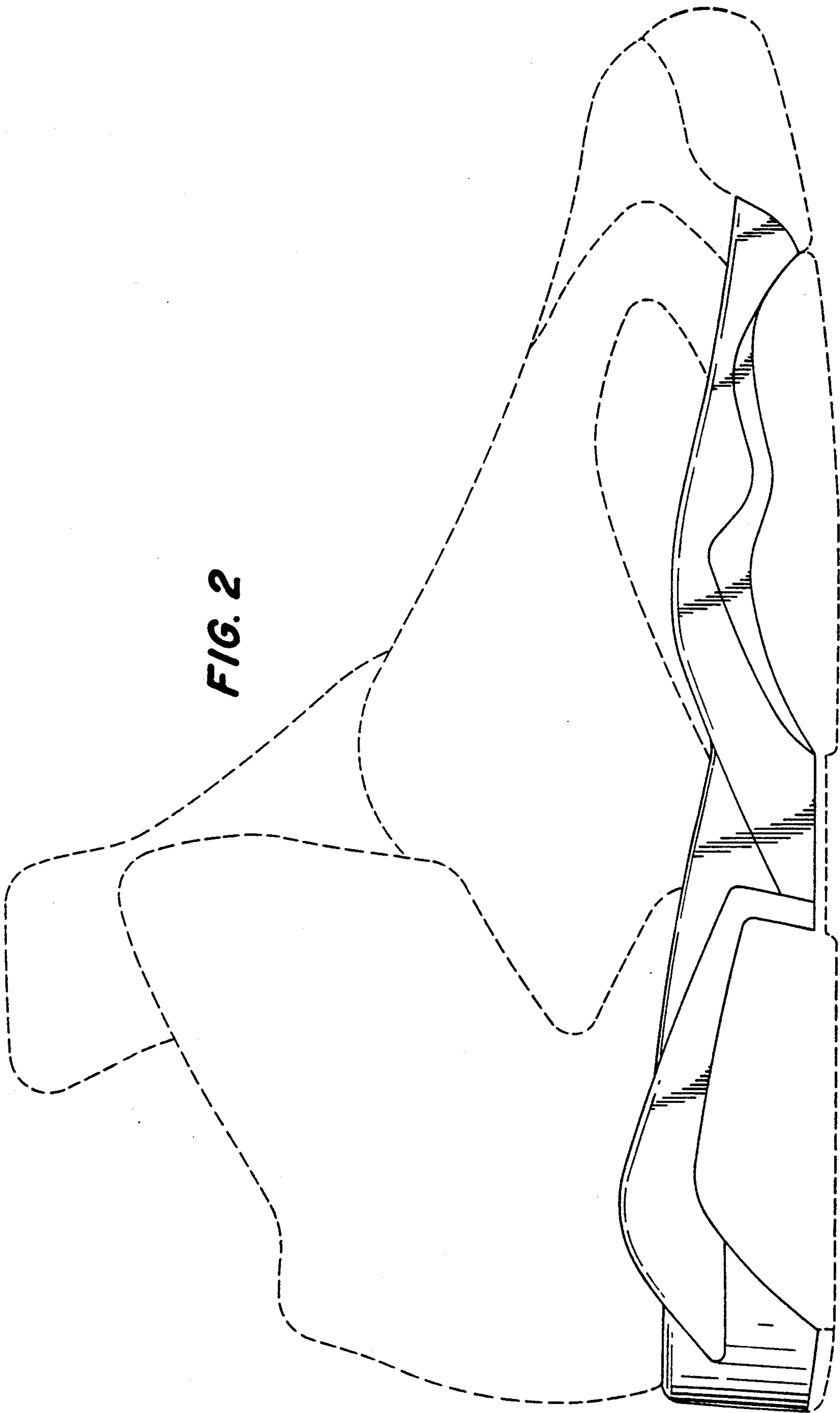


FIG. 2

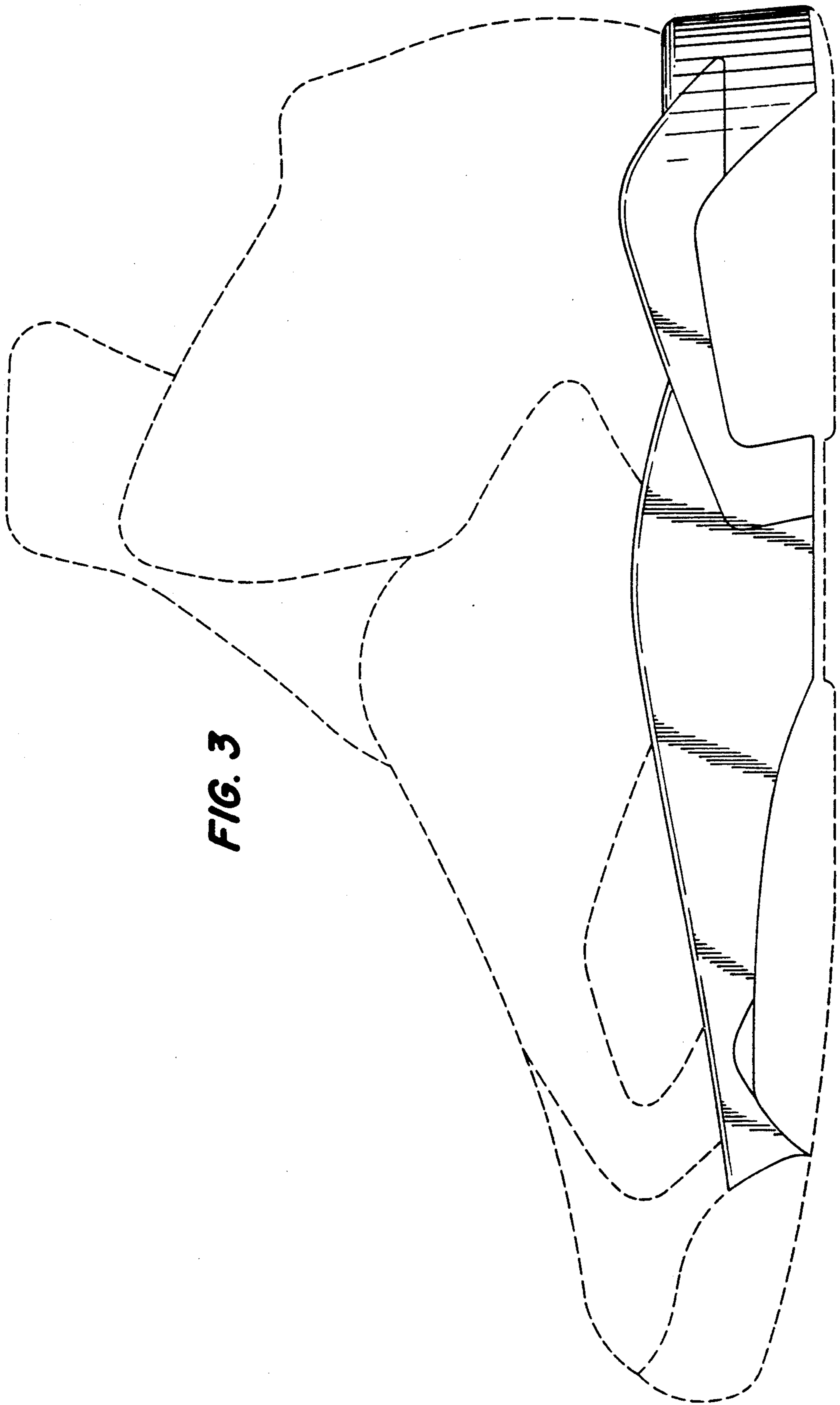


FIG. 3

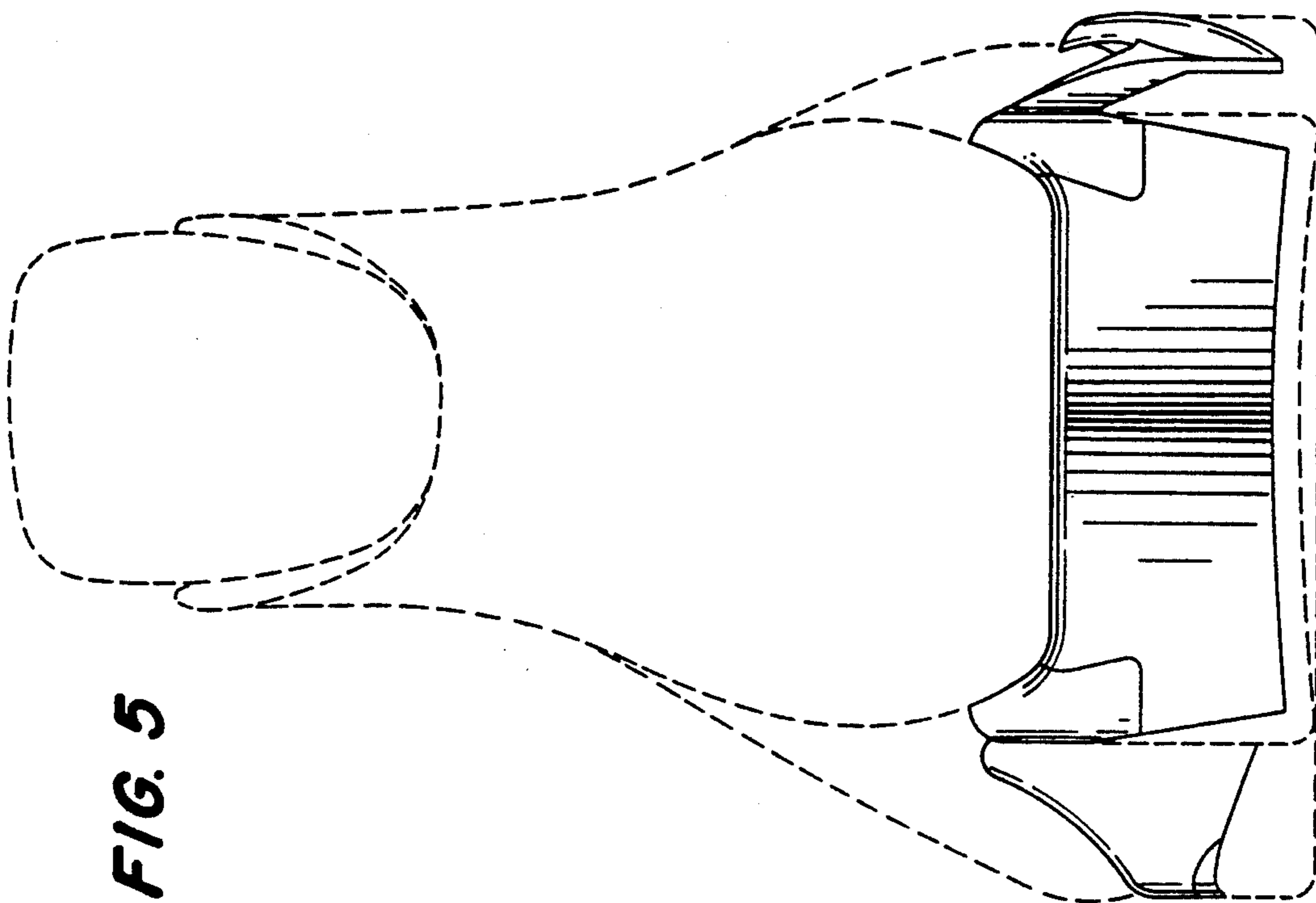


FIG. 5

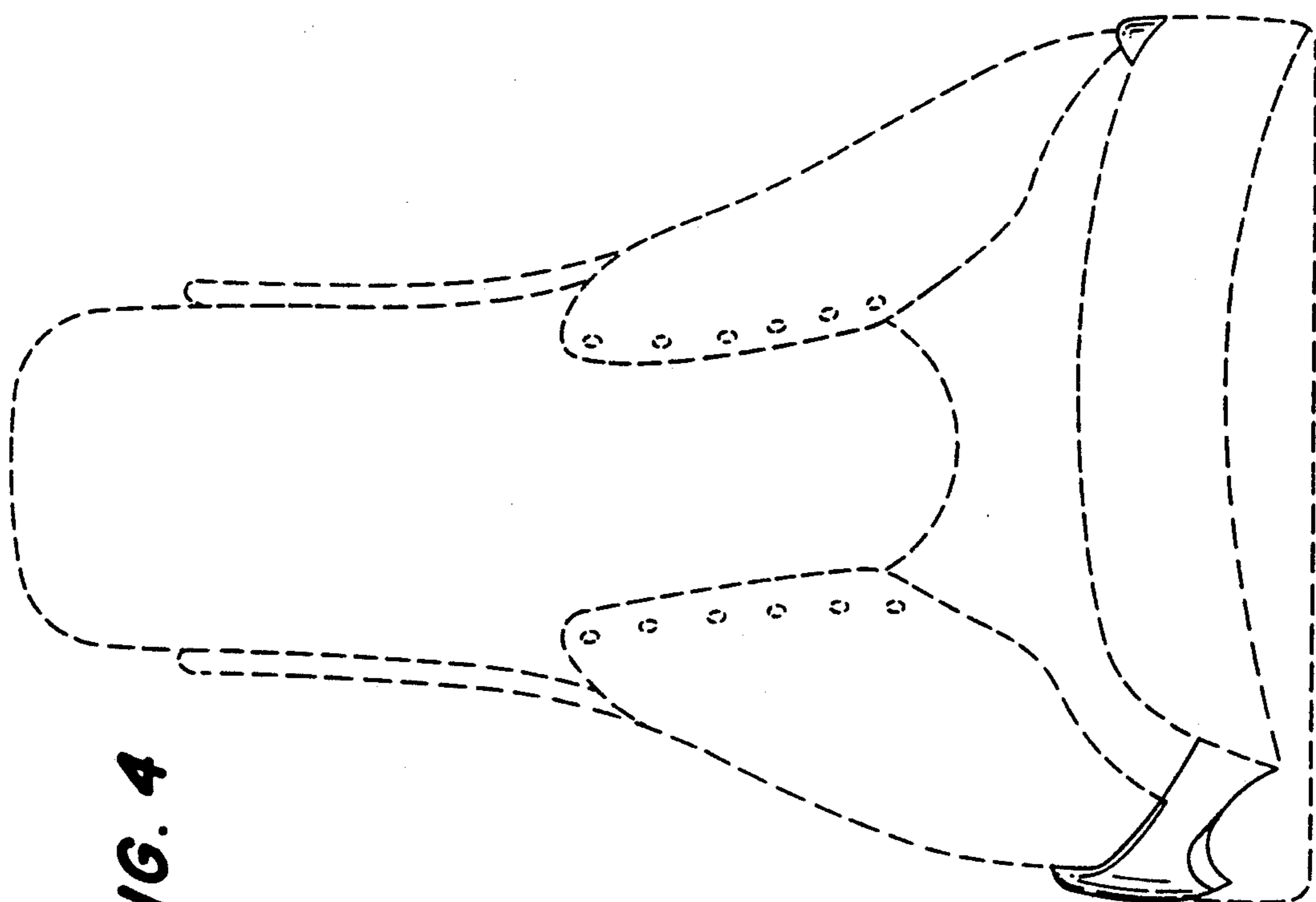


FIG. 4