



US00D329526S

United States Patent [19] Monzon

[11] Patent Number: **Des. 329,526**

[45] Date of Patent: **** Sep. 22, 1992**

[54] MARSHMALLOW

3,607,309 9/1971 Olney .
4,251,561 2/1981 Gajewski .

[76] Inventor: **John Monzon**, 222 W. Beaver Ave.
#304, State College, Pa. 16801

OTHER PUBLICATIONS

Spaulding Retail catalog, 1975, p. 87 Element A foot-
ball.

[**] Term: **14 Years**

Primary Examiner—Susan J. Lucas
Assistant Examiner—Pamela Schmidt
Attorney, Agent, or Firm—Terry M. Gernstein

[21] Appl. No.: **523,926**

[22] Filed: **May 16, 1990**

[52] U.S. Cl. **D1/127; D1/106;
D1/130**

[57] CLAIM

[58] Field of Search **D1/106, 120, 122, 126,
D1/127, 128, 129, 130, 199; 426/87, 104;
D6/597; D11/166; D21/204**

The ornamental design for marshmallow, as shown and
described.

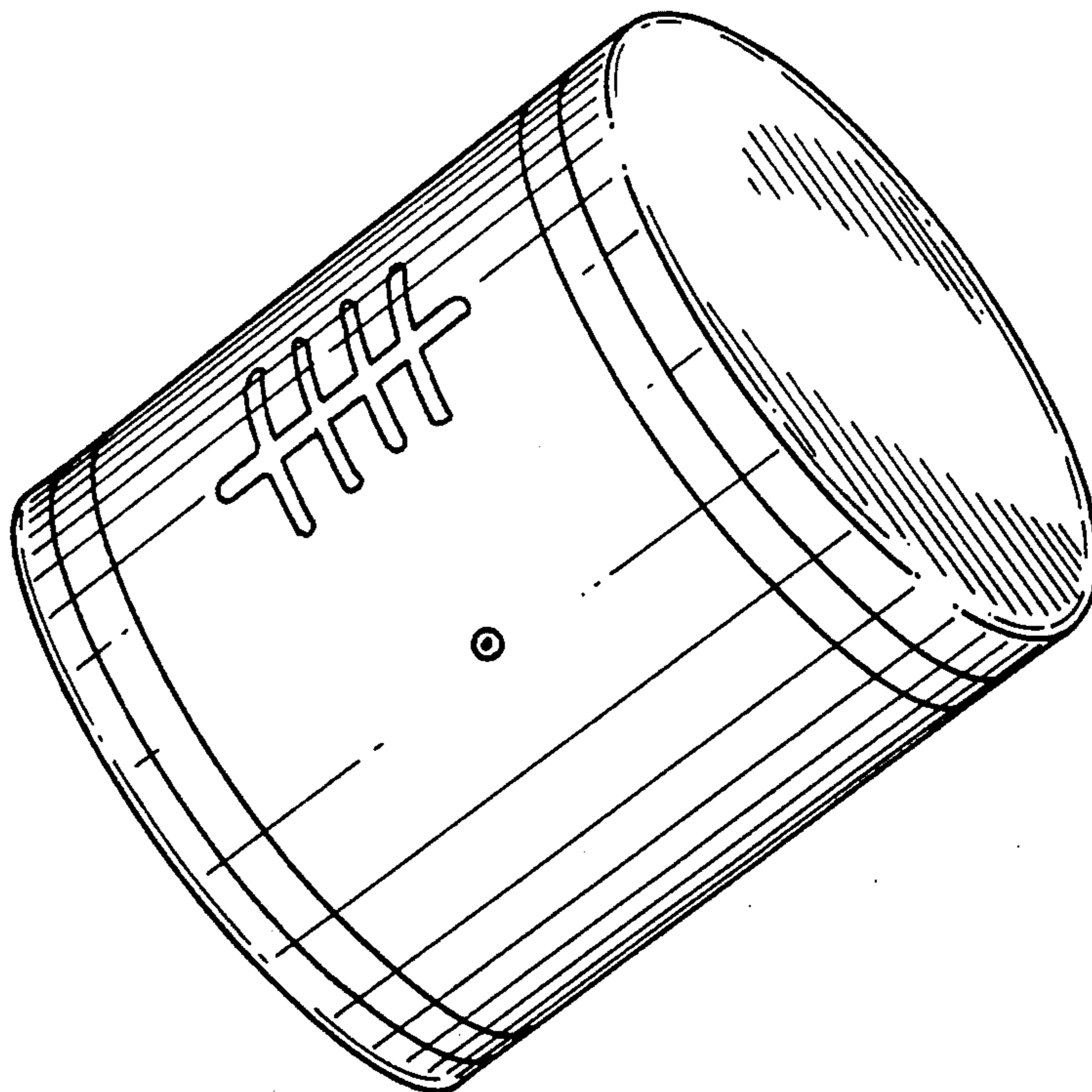
[56] References Cited

DESCRIPTION

U.S. PATENT DOCUMENTS

D. 18,300	5/1888	Chase	D1/106
D. 66,172	12/1924	Perky	D1/129
D. 228,328	9/1973	Schley	D21/204 X
D. 265,078	6/1982	Ornatek	D11/166
1,383,290	7/1921	Cressay	D1/106 X
2,053,238	9/1936	Dulany	D1/106 X
3,220,853	11/1965	Golsinec	.	

FIG. 1 is a top perspective view of a marshmallow
showing my new design;
FIG. 2 is a side elevational view thereof, the opposite
side being identical except for the omission of the small
circle;
FIG. 3 is an end elevational view thereof, the opposite
end being identical;
FIG. 4 is a top plan view thereof; and,
FIG. 5 is a bottom plan view thereof.



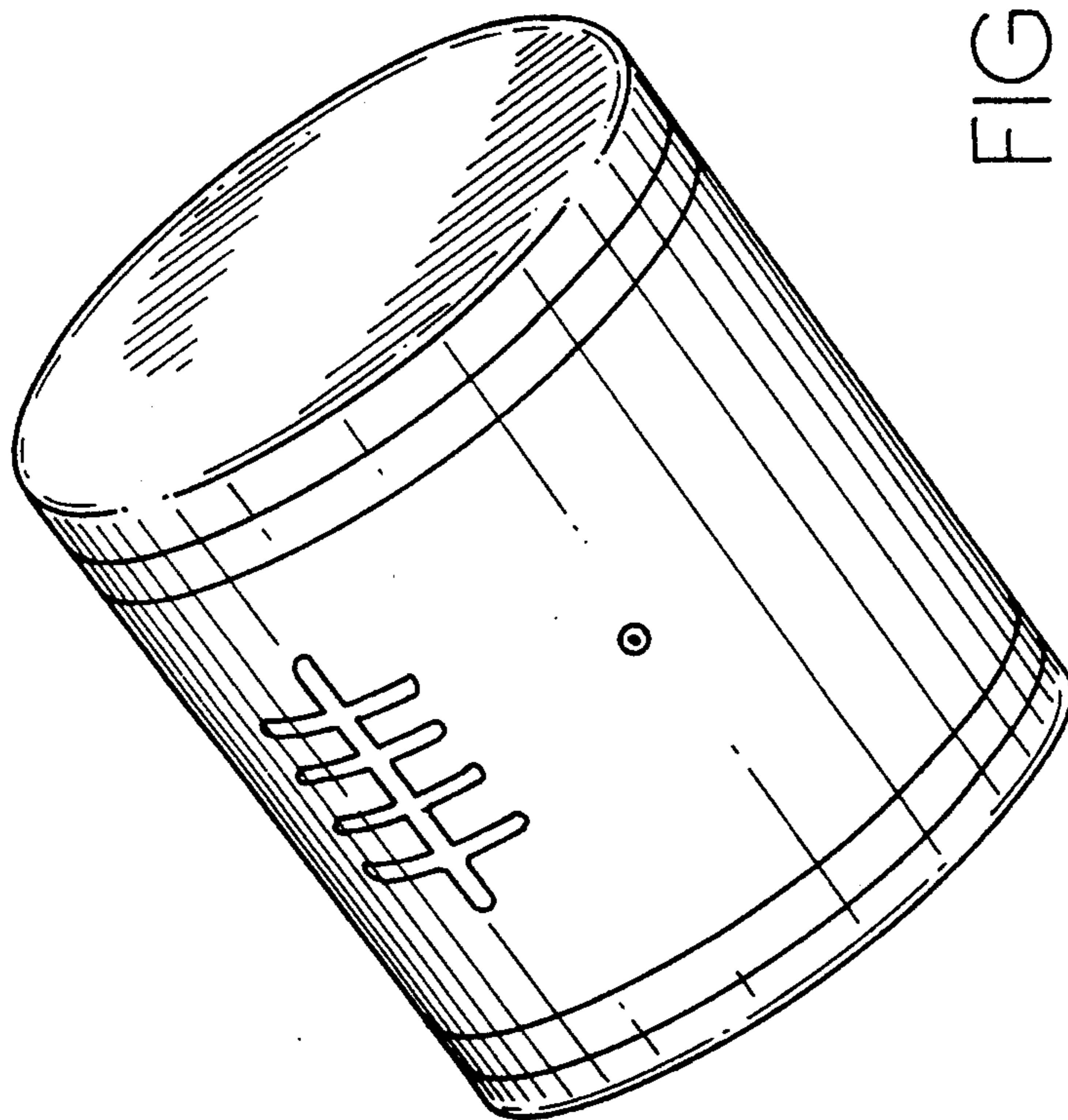


FIG.1.

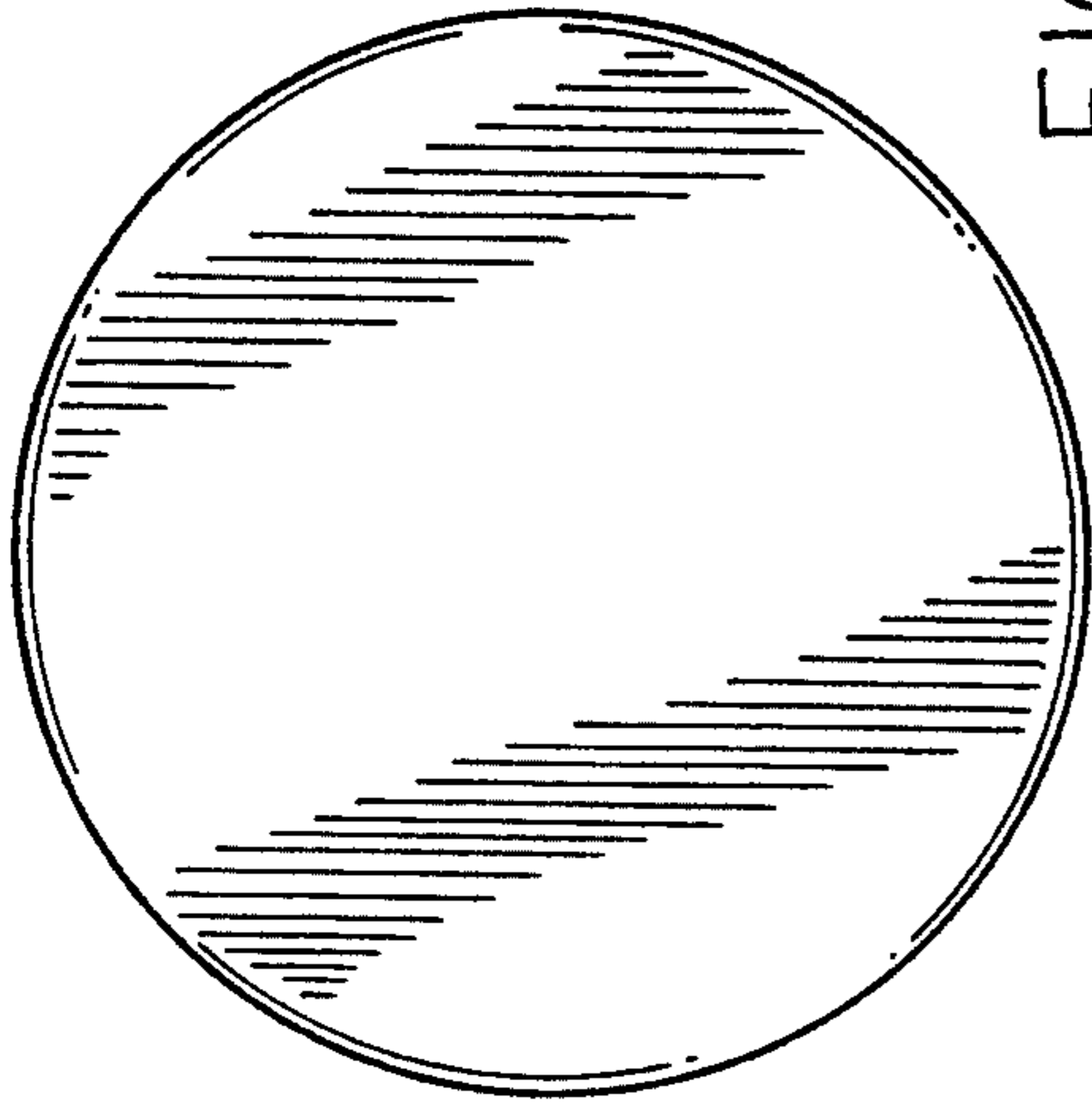


FIG. 3.

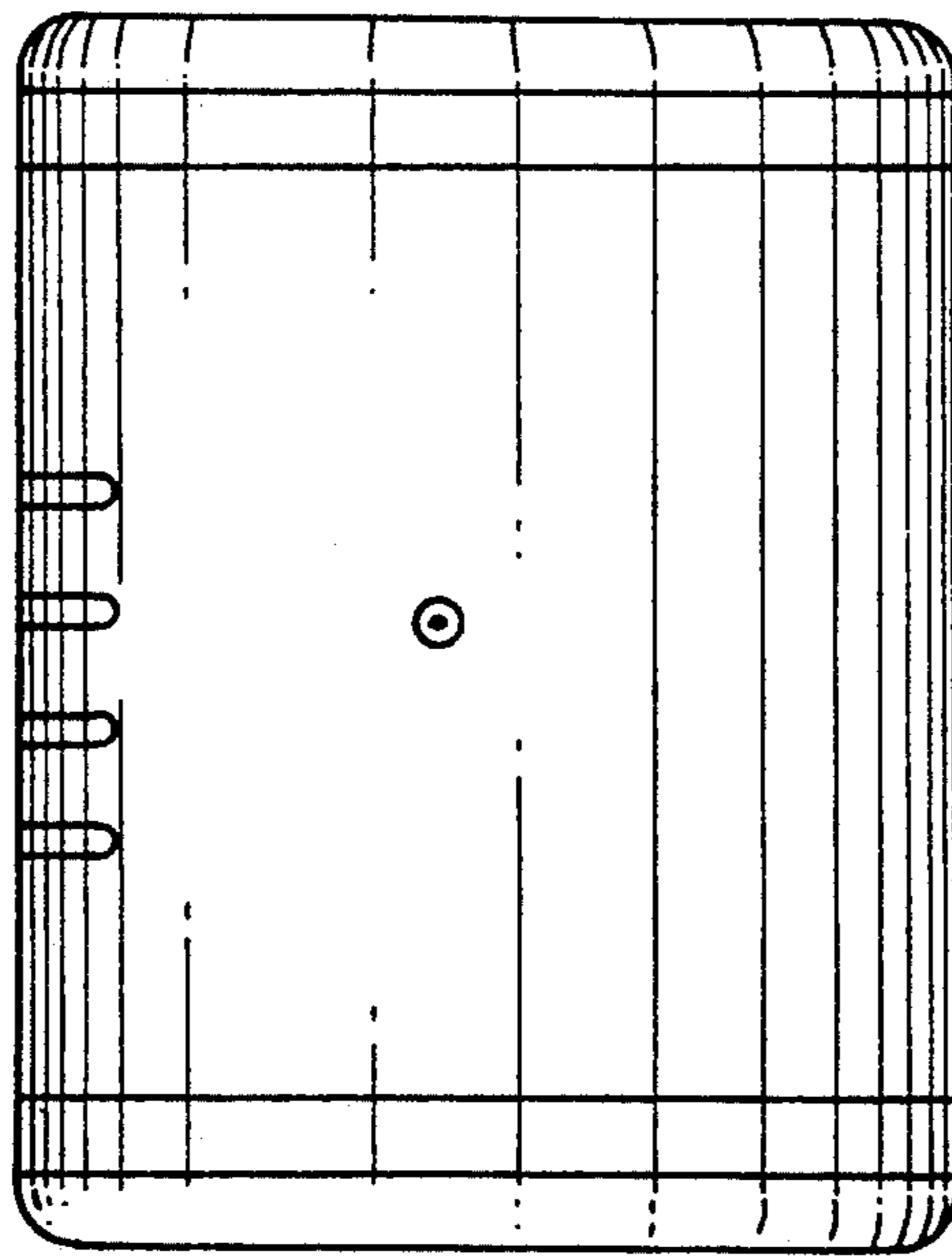


FIG. 2.

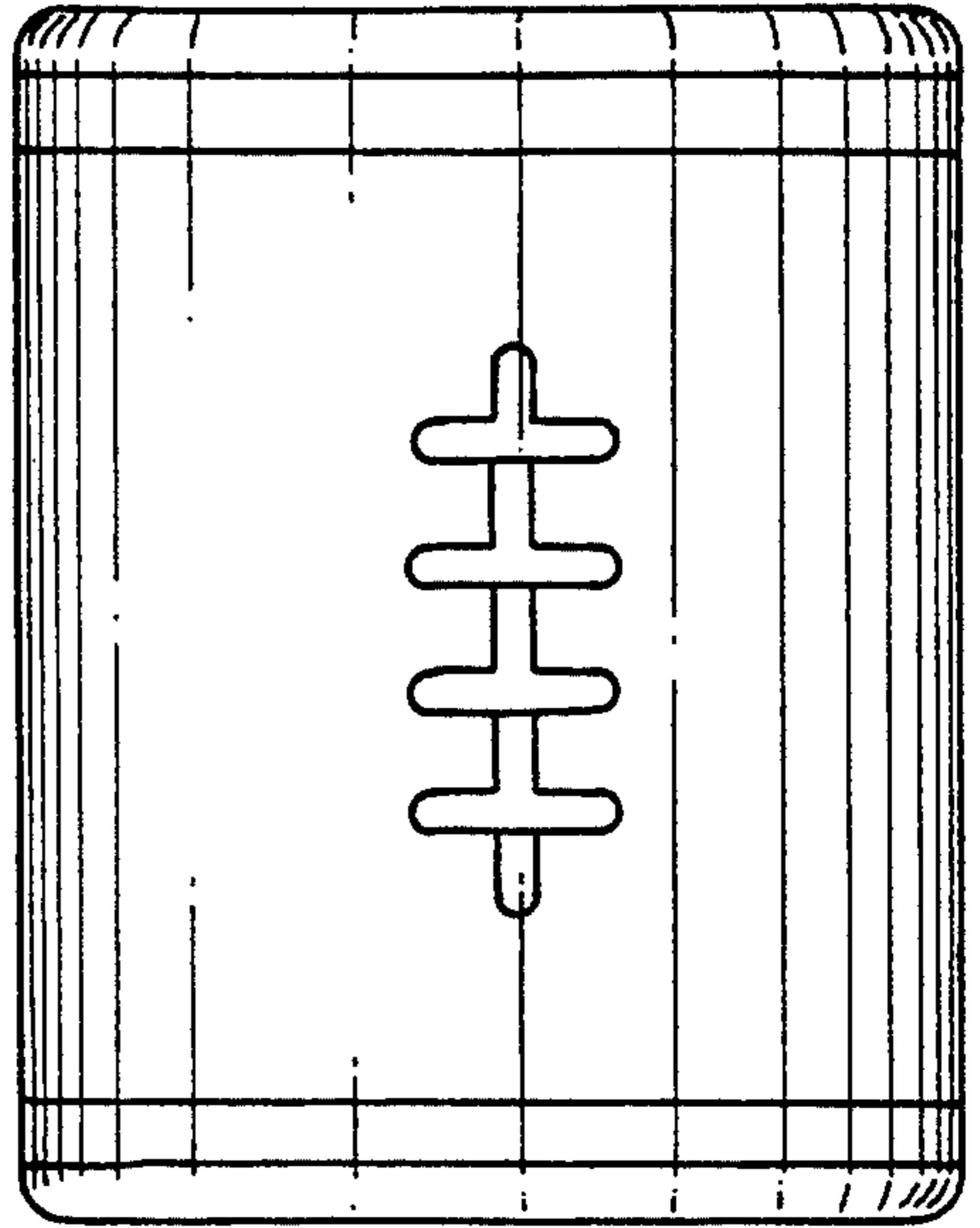


FIG. 4.

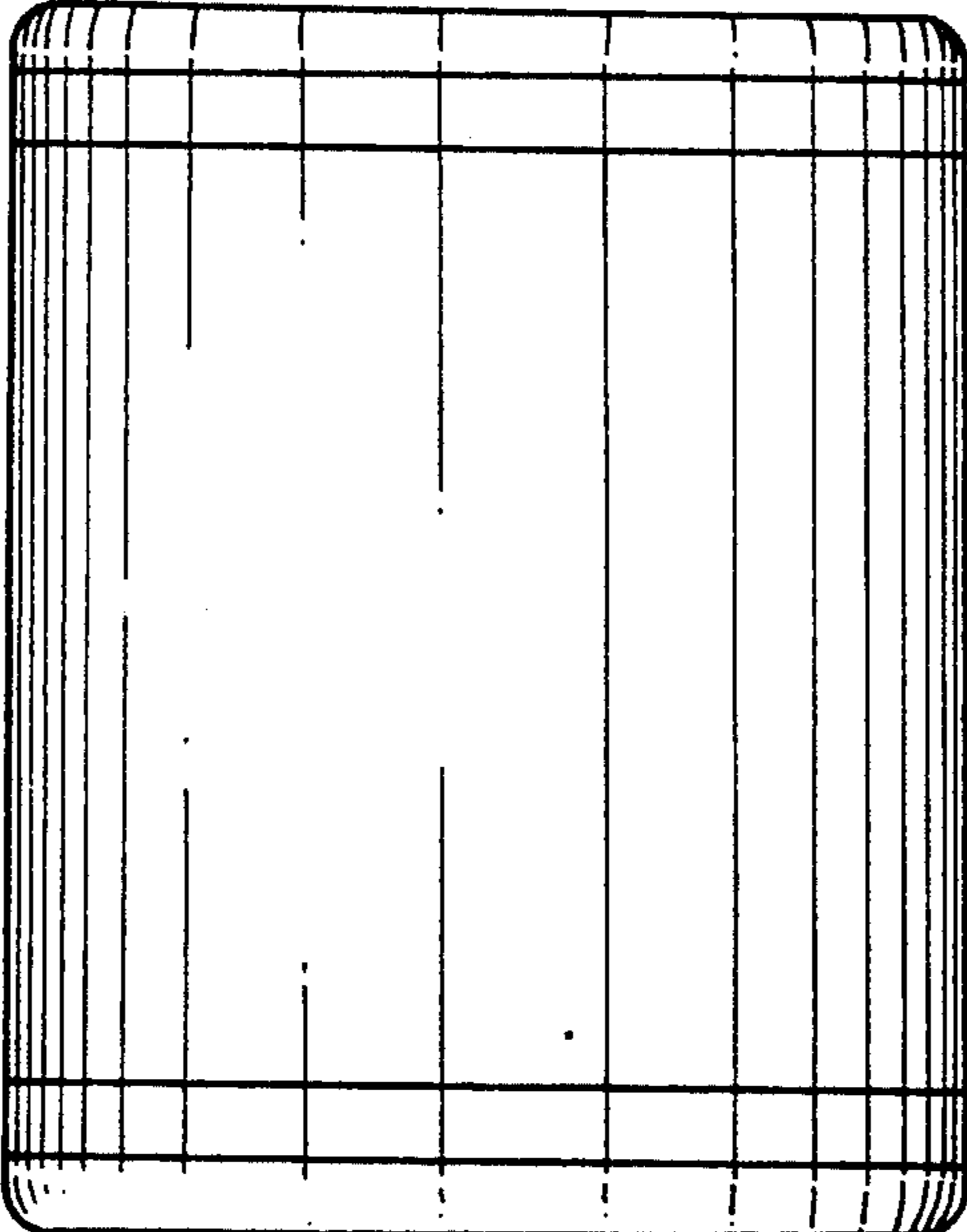


FIG. 5.