



US00D329517S

United States Patent [19]

[11] Patent Number: **Des. 329,517**

Vavla

[45] Date of Patent: **** Sep. 15, 1992**

[54] **BOTTLE CARRIER**

[76] Inventor: **Bob F. Vavla**, 11058 Silver Run,
Moreno Valley, Calif. 92387

[**] Term: **14 Years**

[21] Appl. No.: **600,084**

[22] Filed: **Oct. 19, 1990**

[52] U.S. Cl. **D34/28; D9/455;**
D9/517; D7/623

[58] Field of Search **D9/344, 345, 455, 341,**
D9/383, 378, 369; 206/161, 150, 158, 162, 170,
139; 294/87.2, 137; D34/28, 44, 45

[56] **References Cited**

U.S. PATENT DOCUMENTS

D. 149,933	6/1948	Bushman	294/137 X
D. 214,720	7/1969	Christopher et al.	D34/28
D. 291,168	8/1987	Cranford	D9/455 X
4,723,801	2/1988	Musumeci et al.	D9/455 X

OTHER PUBLICATIONS

The picture Book of Symbols, 1956, p. 29, palm tree,
top of page—left hand side.

Primary Examiner—Wallace R. Burke

Assistant Examiner—H. Baynham

Attorney, Agent, or Firm—Leon Gilden

[57] **CLAIM**

The ornamental design for a bottle carrier, as shown
and described.

DESCRIPTION

FIG. 1 is a front elevational view of a bottle carrier
showing my new design;

FIG. 2 is a rear elevational view thereof;

FIG. 3 is a left side elevational view thereof;

FIG. 4 is a right side elevational view thereof;

FIG. 5 is a top plan view thereof; and,

FIG. 6 is a bottom plan view thereof.

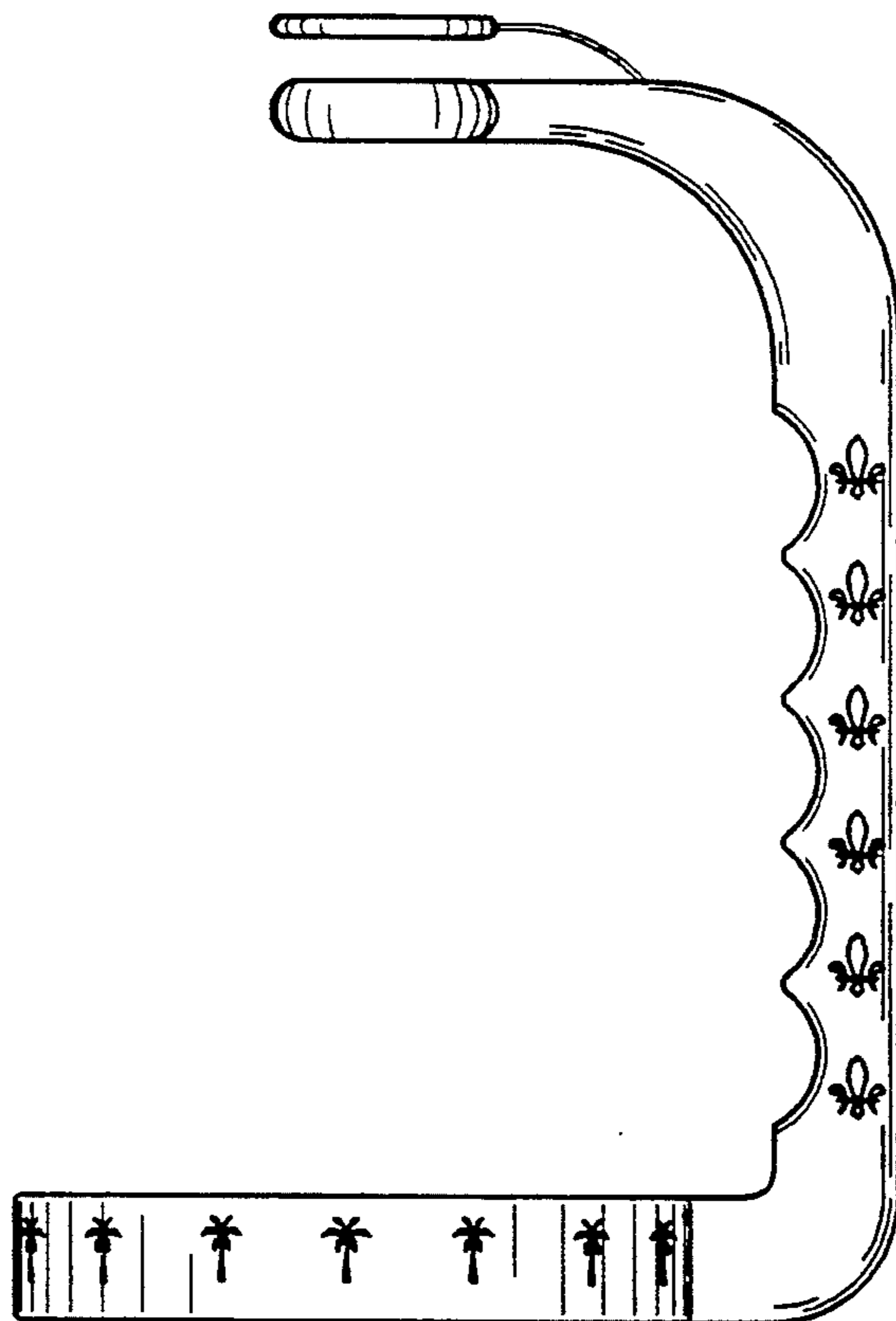


FIG. 1

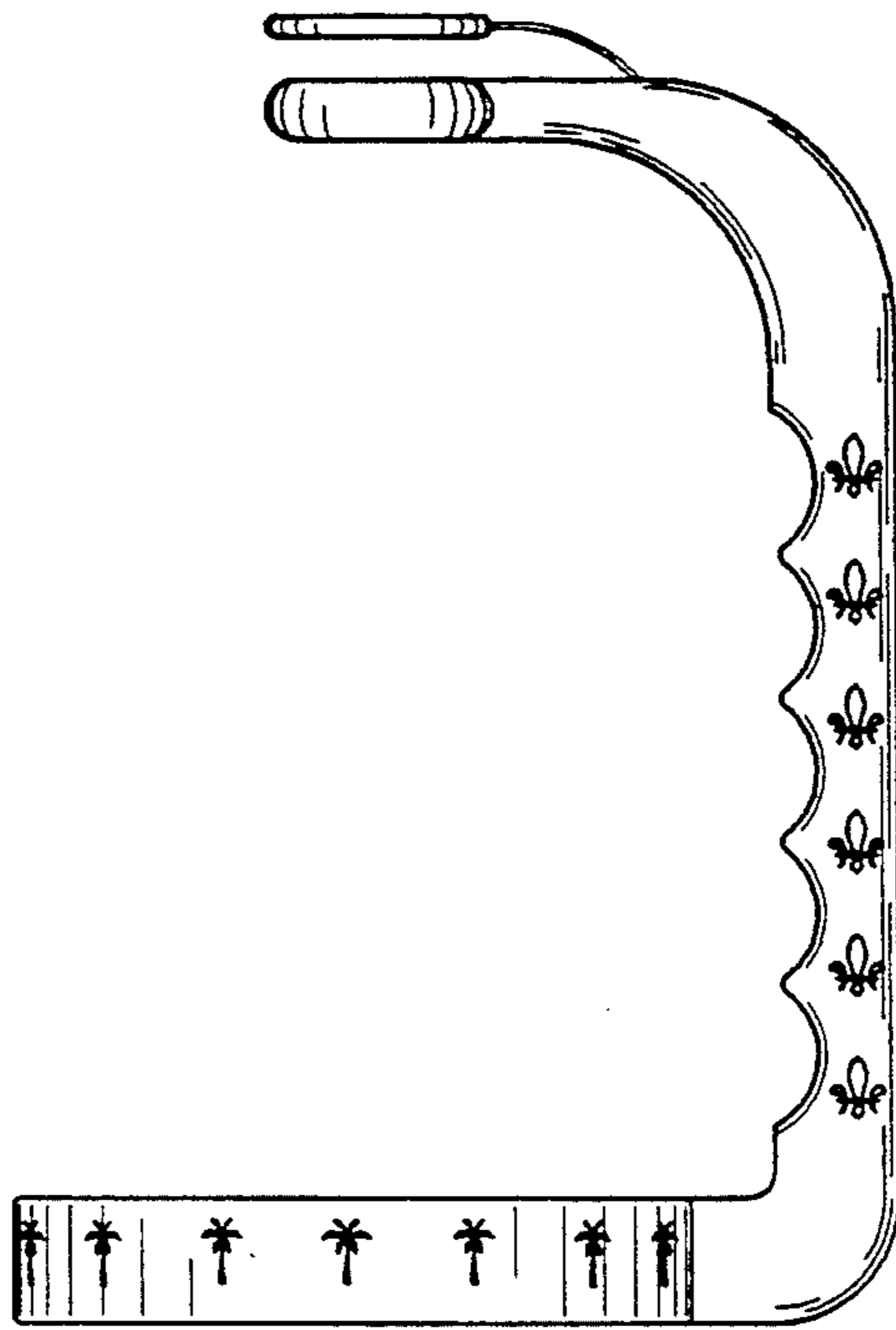


FIG. 2

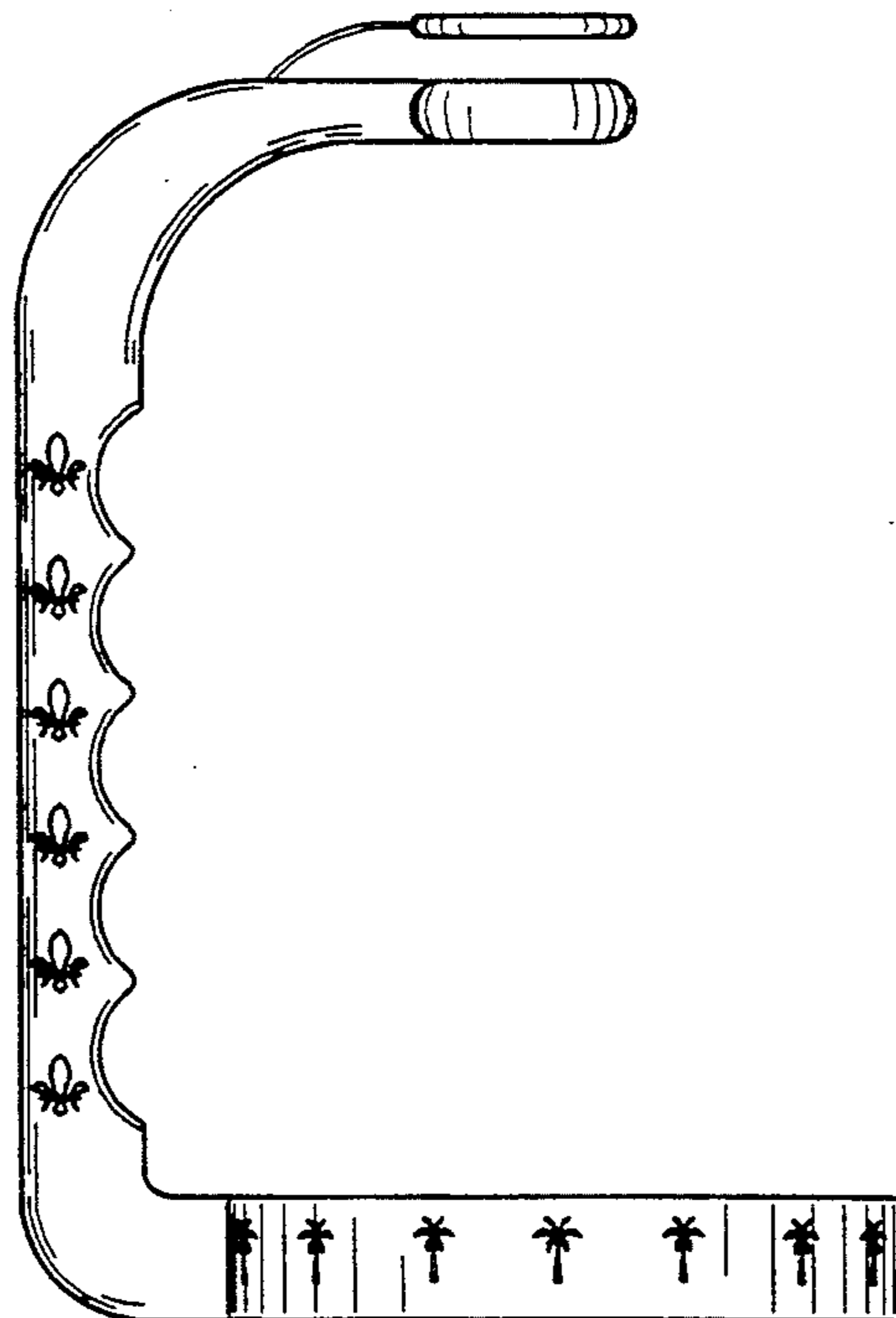


FIG. 3

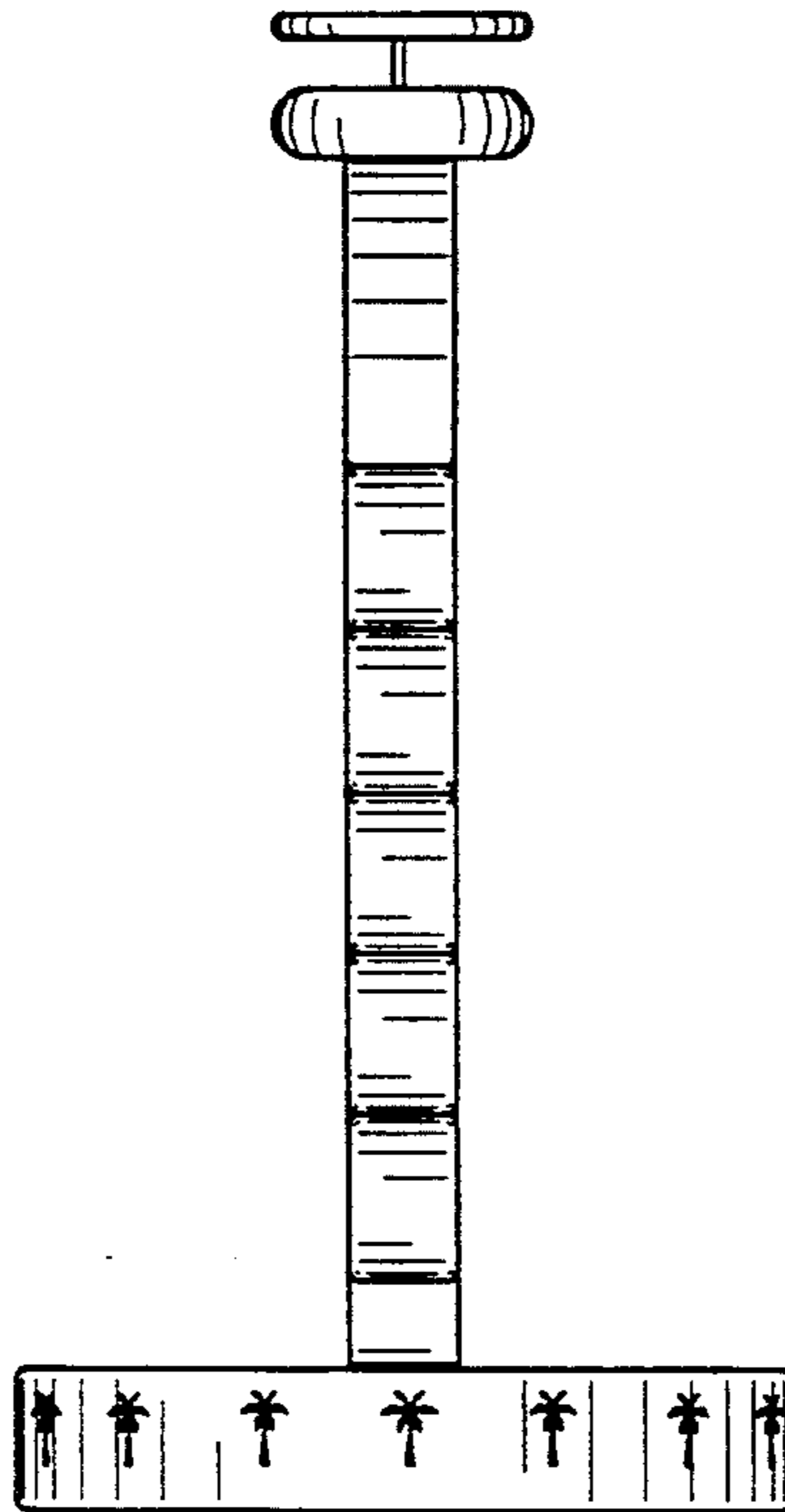


FIG. 4

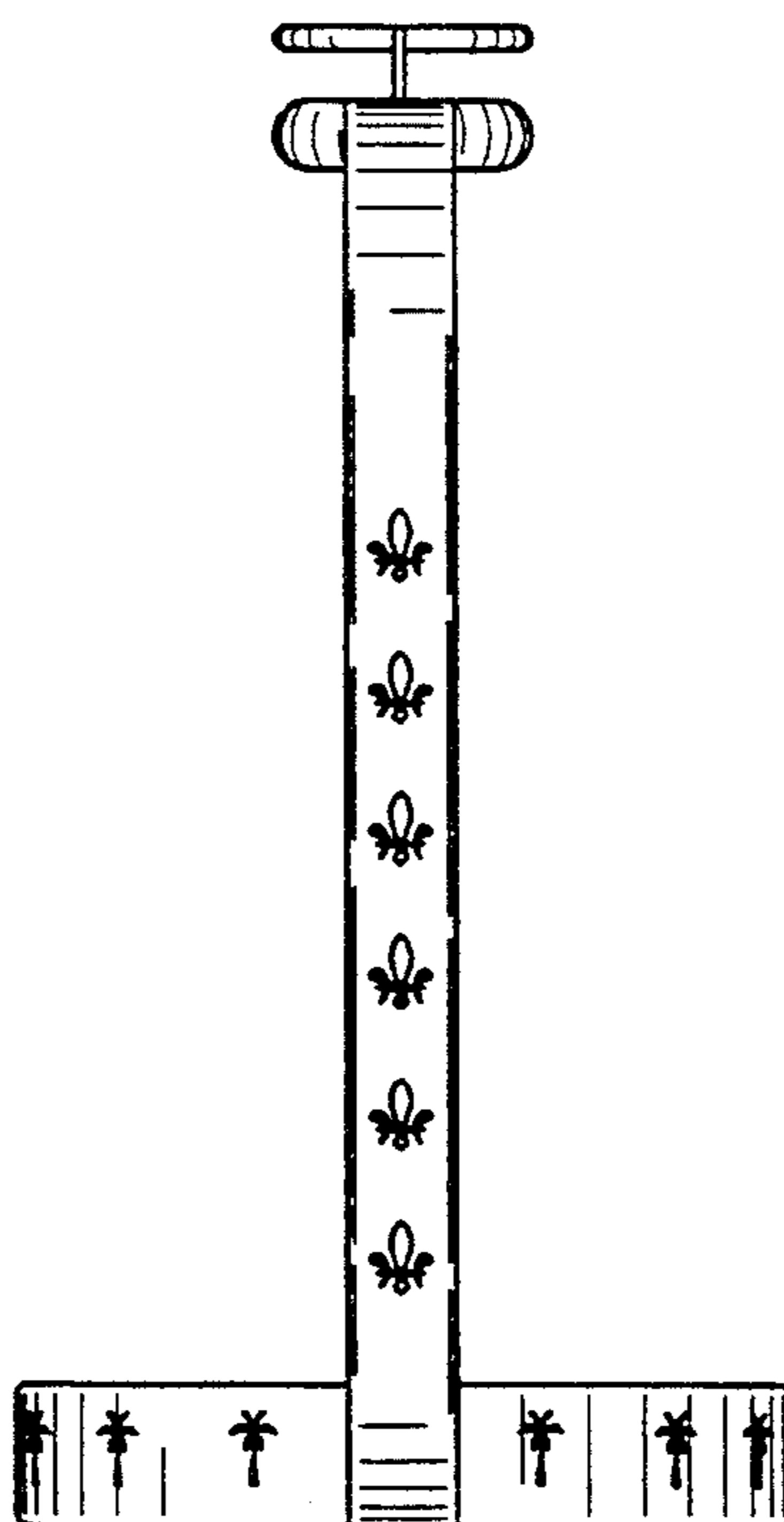


FIG. 5

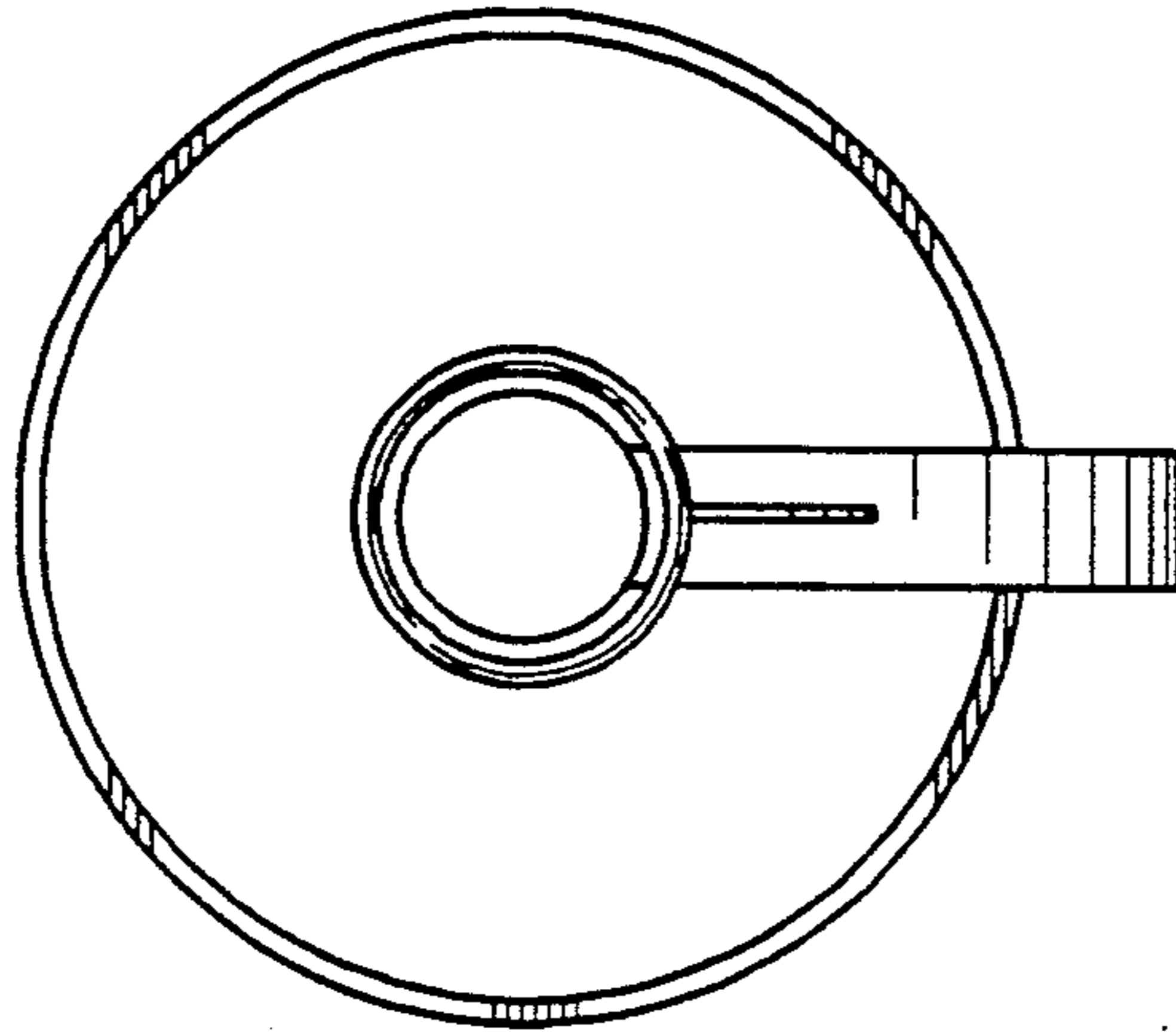


FIG. 6

