



US00D329516S

United States Patent [19]
Bailly

[11] **Patent Number: Des. 329,516**
[45] **Date of Patent: ** Sep. 15, 1992**

[54] **COMBINED CUTTING BOARD AND
MULTIPLE COMPARTMENT TRASH
CABINET**

4,821,903 4/1989 Hayes 220/908
5,076,458 12/1991 Weiner et al. 220/908

[76] **Inventor: Jessica Bailly, 45 West St., Closter,
N.J. 07624-1226**

Primary Examiner—Kay H. Chin
Attorney, Agent, or Firm—Terry M. Gernstein

[**] **Term: 14 Years**

[57] **CLAIM**

[21] **Appl. No.: 520,391**

The ornamental design for a combined cutting board and multiple compartment trash cabinet, as shown and described.

[22] **Filed: May 8, 1990**

[52] **U.S. Cl. D34/5; D34/11;
D34/7; D6/440**

DESCRIPTION

[58] **Field of Search D34/1, 7, 11; 220/908,
220/909, 910, 507, 500, 510, 528, 23.8; 312/211,
212; D6/440; 232/43.2**

FIG. 1 is a top and front perspective view of a combined cutting board and multiple compartment trash cabinet showing my design, the cutting board is raised and front door is open for clarity of illustration; FIG. 2 is a front elevational view thereof; FIG. 3 is a rear elevational view thereof; FIG. 4 is a left side elevational view thereof; FIG. 5 is a right side elevational view thereof; and, FIG. 6 is a top plan view thereof. The undisclosed bottom is planar and unornamented.

[56] **References Cited**

U.S. PATENT DOCUMENTS

883,990 4/1908 Warren 312/211
3,893,615 7/1975 Johnson 232/43.2
4,801,034 1/1989 Sandomeno 220/23.83

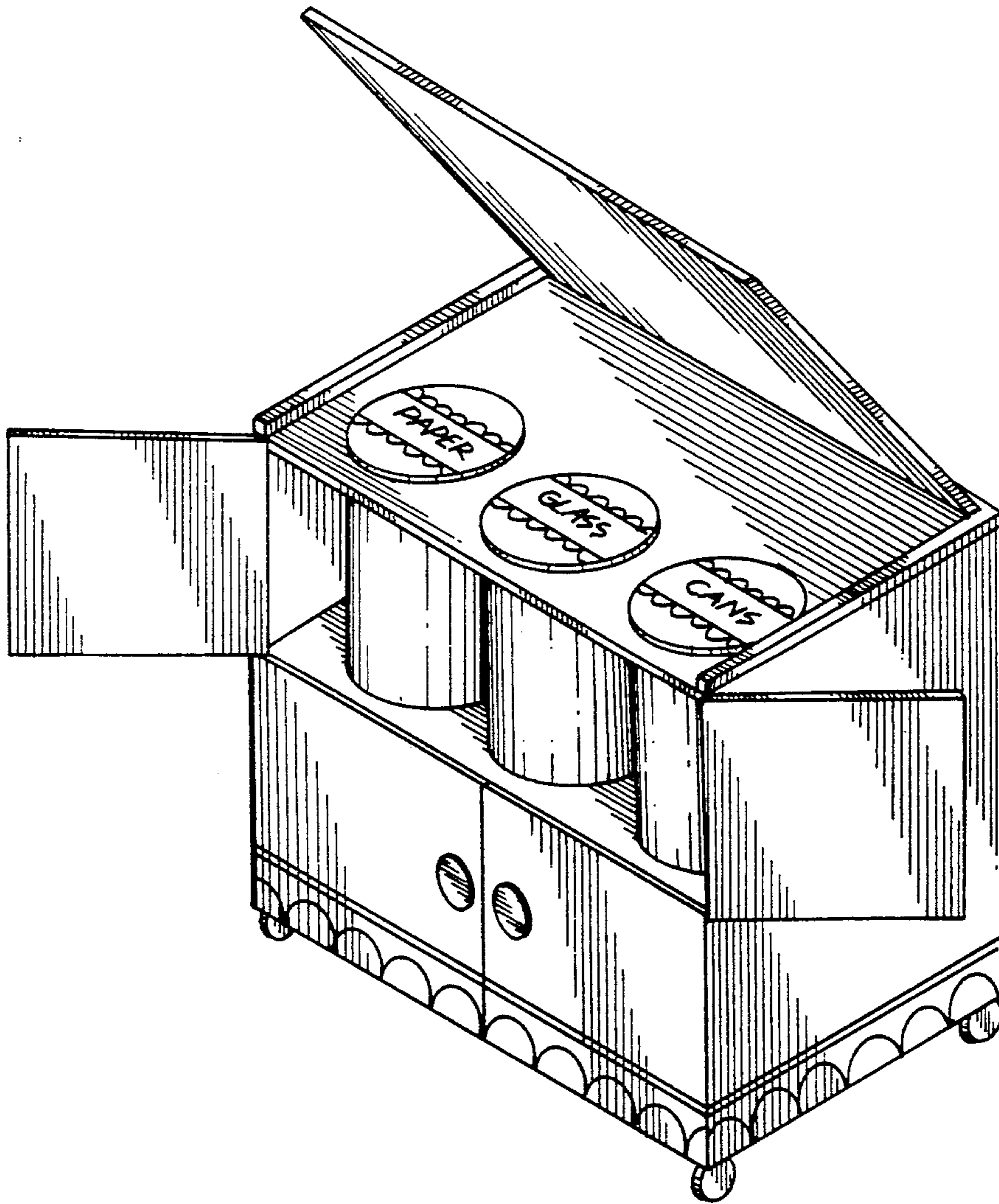
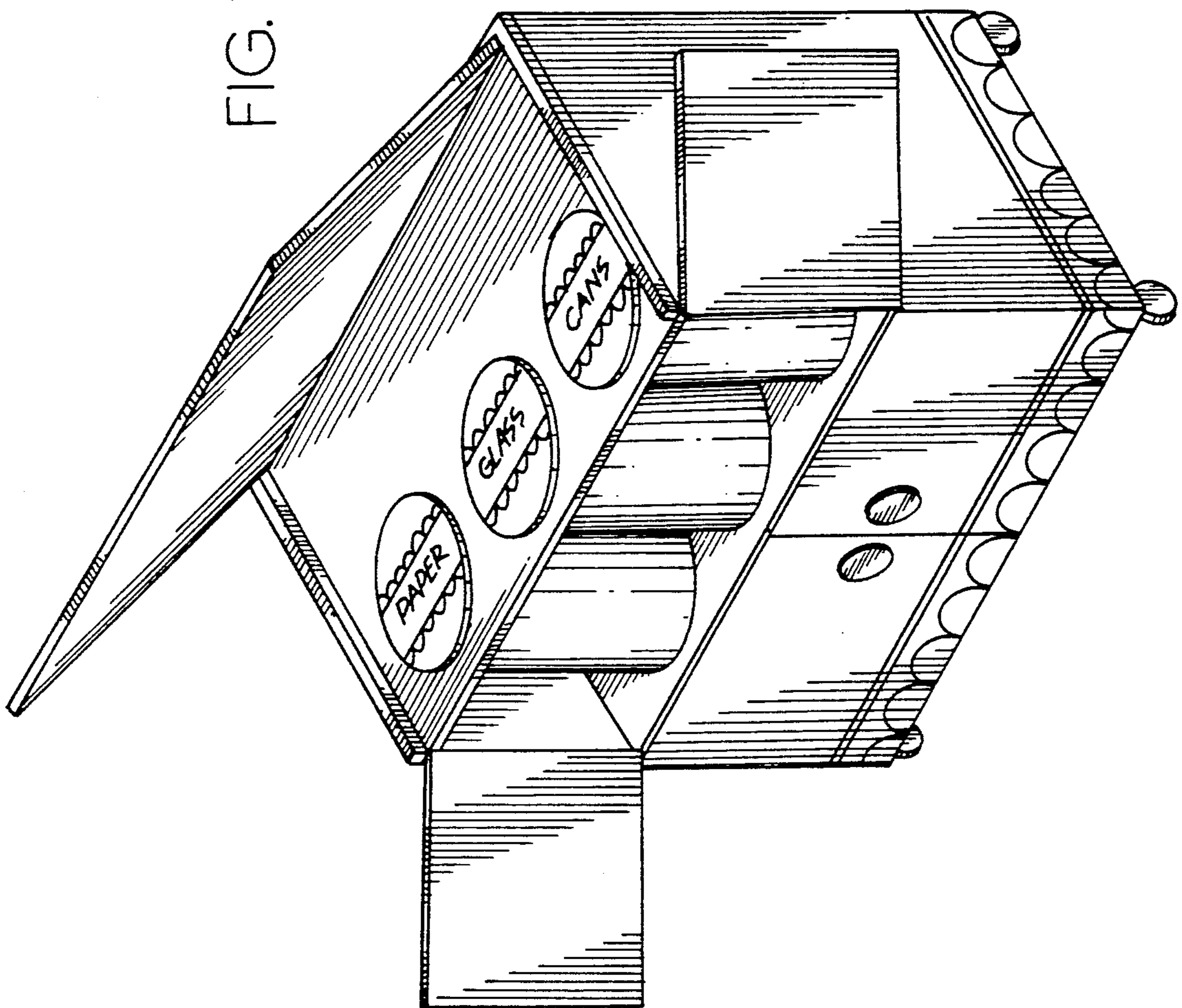


FIG. 1.



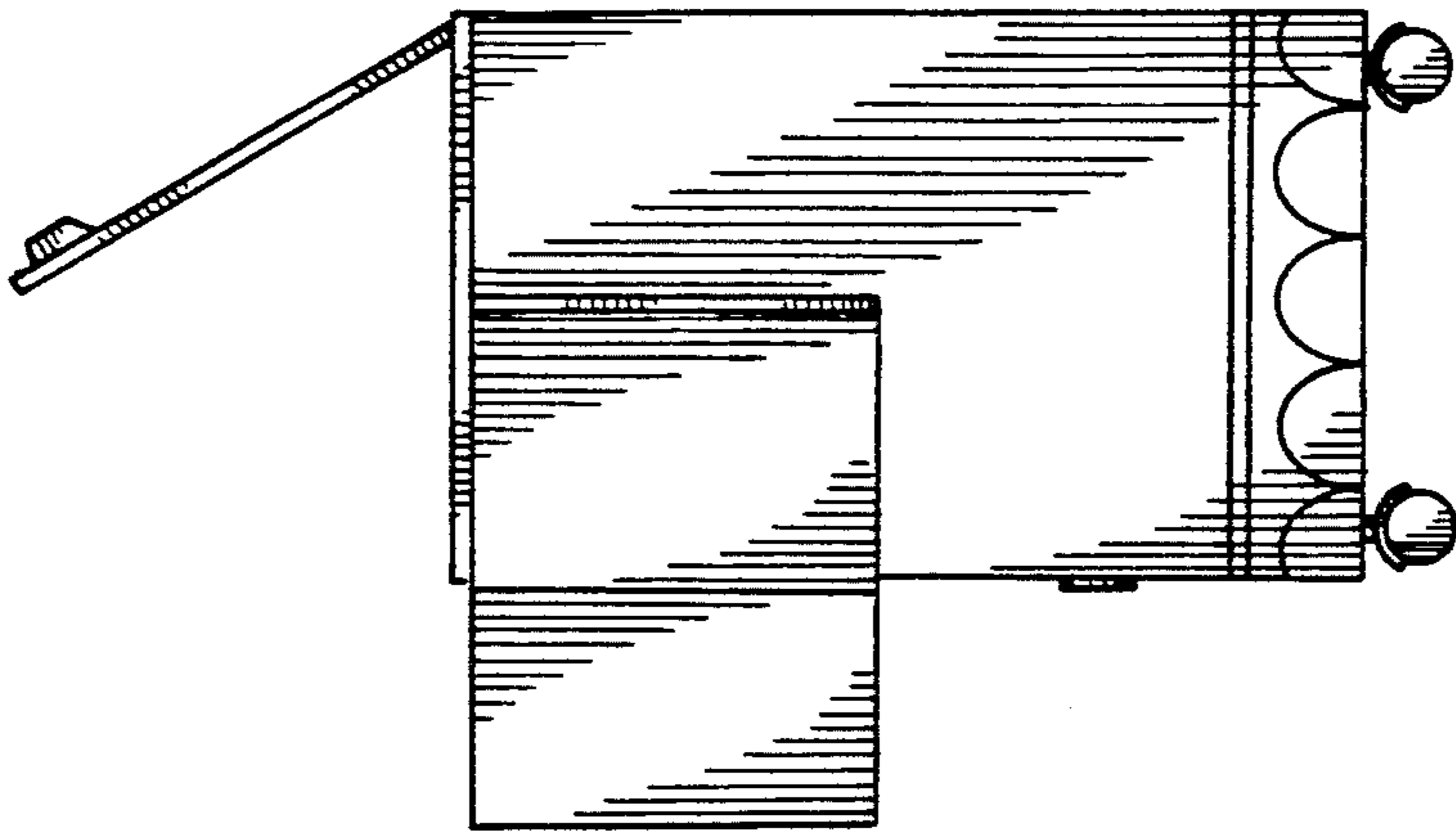


FIG. 4.

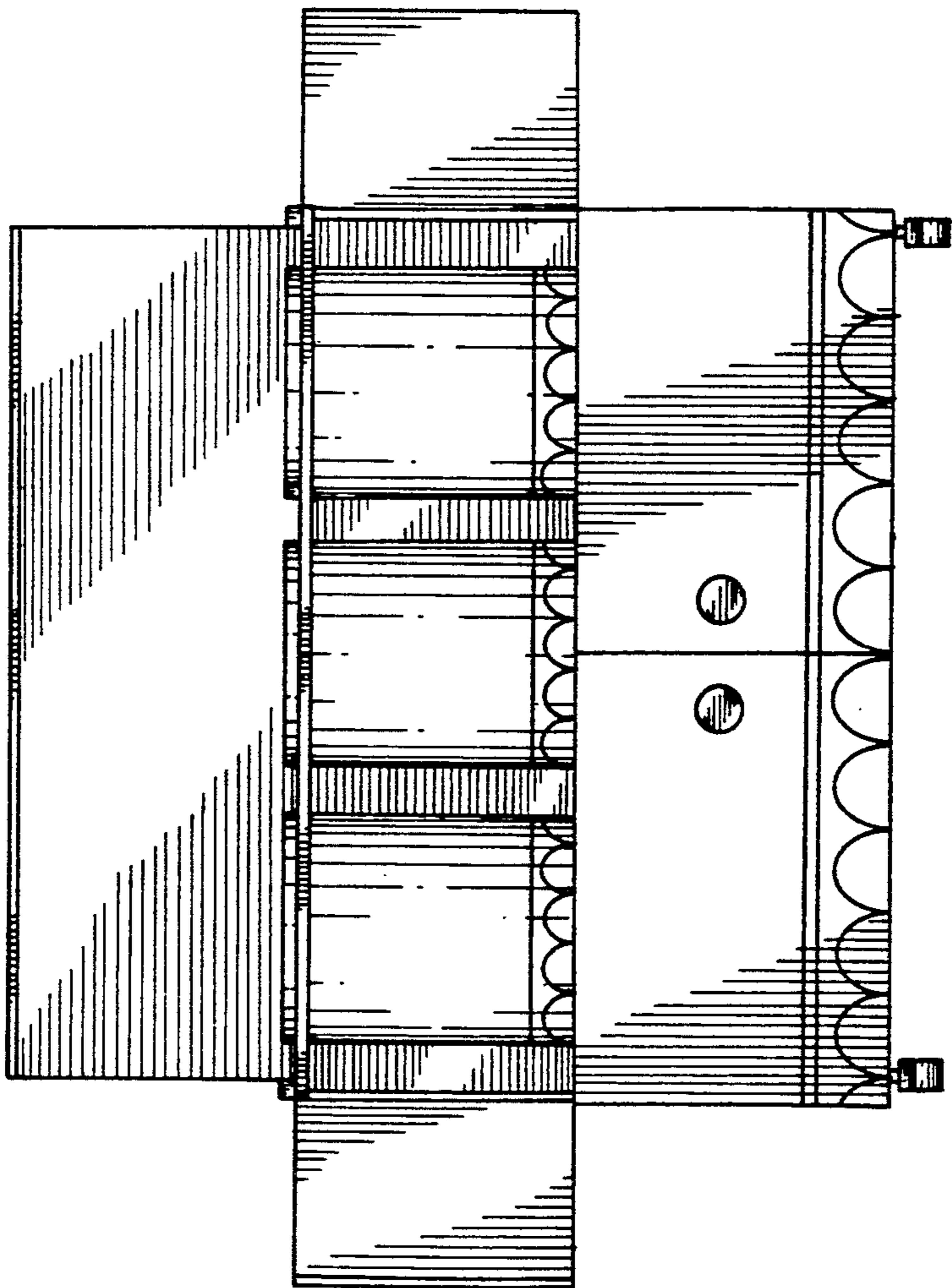


FIG. 2.

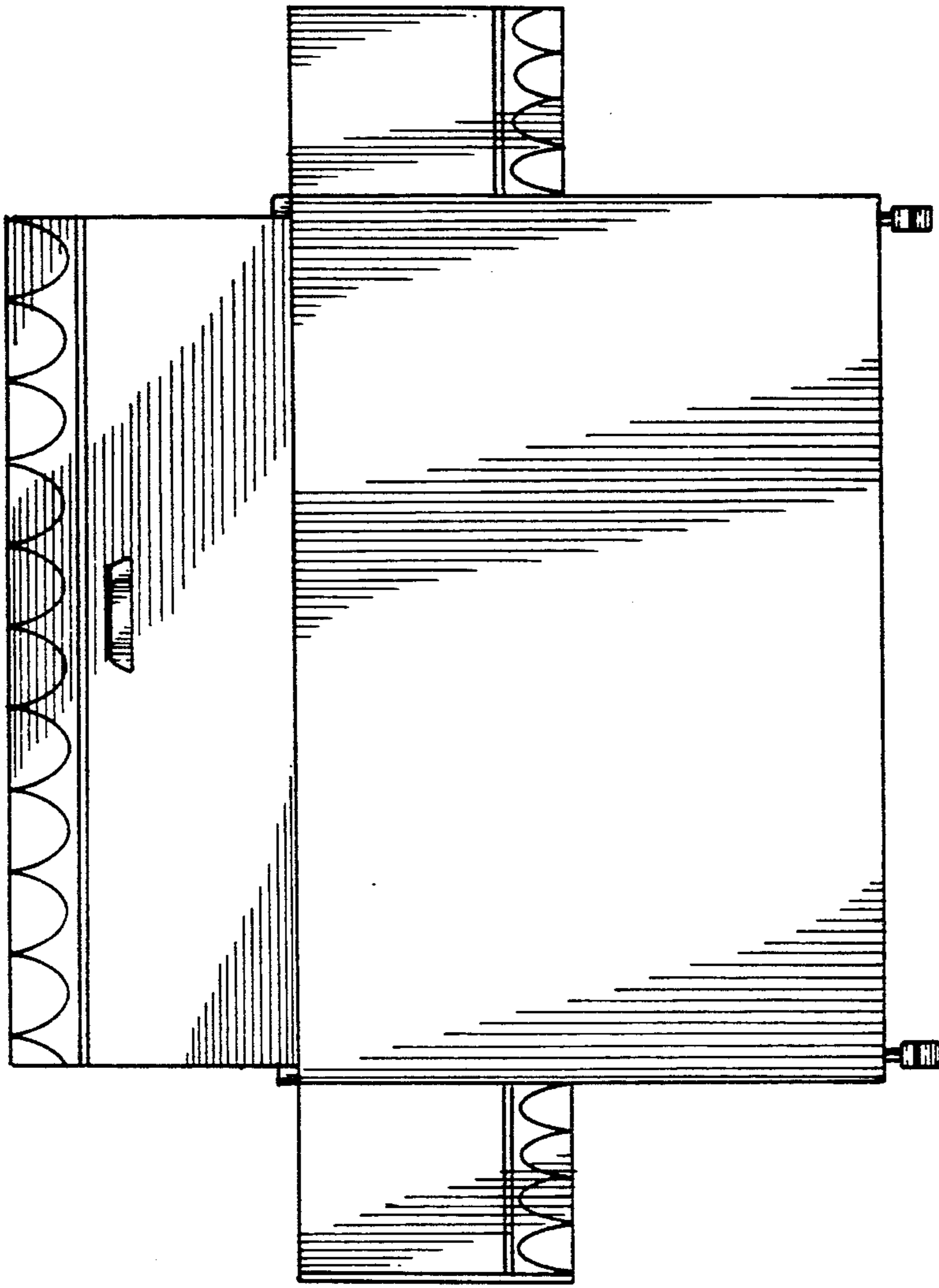


FIG. 3.

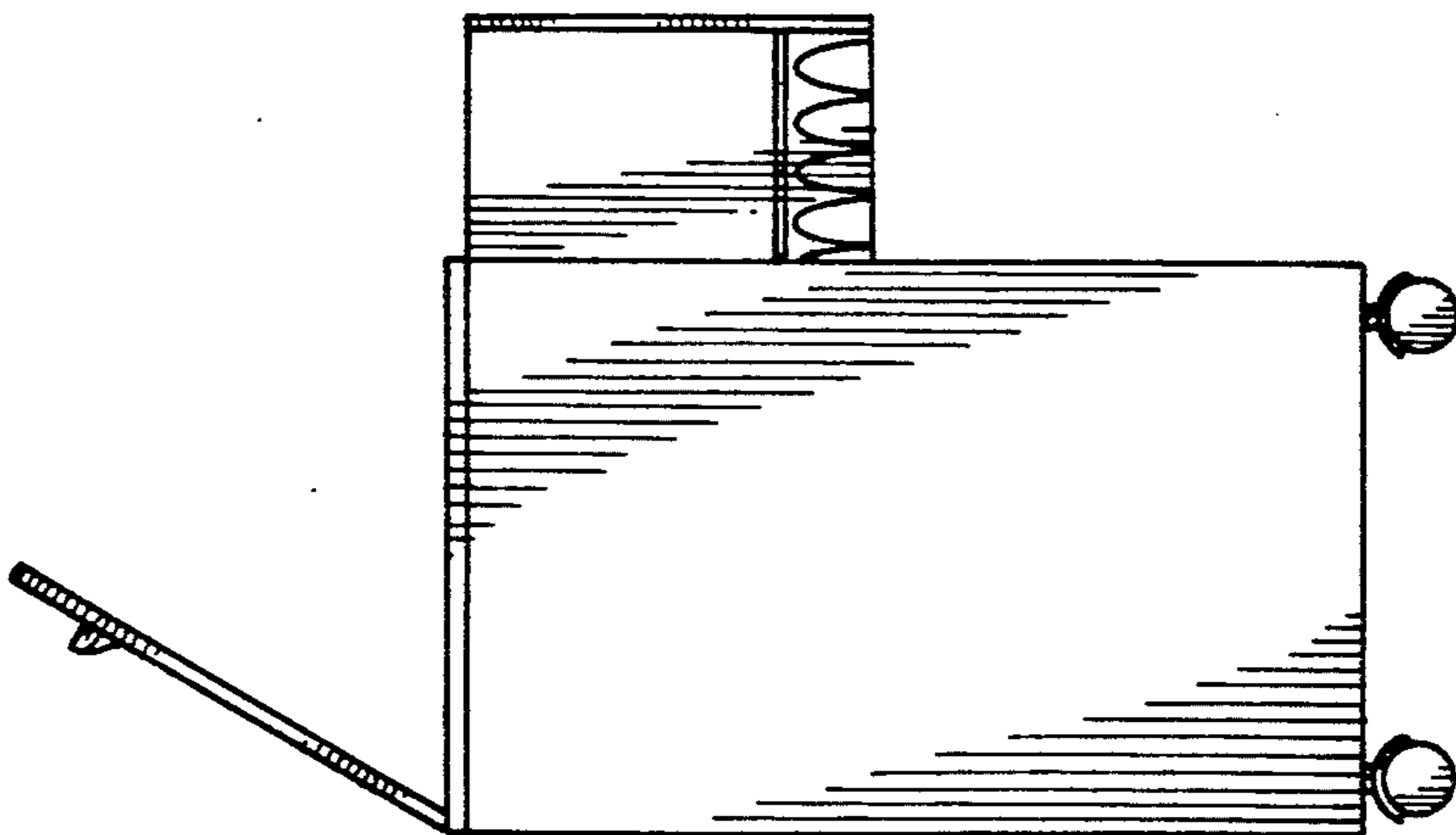


FIG. 5.

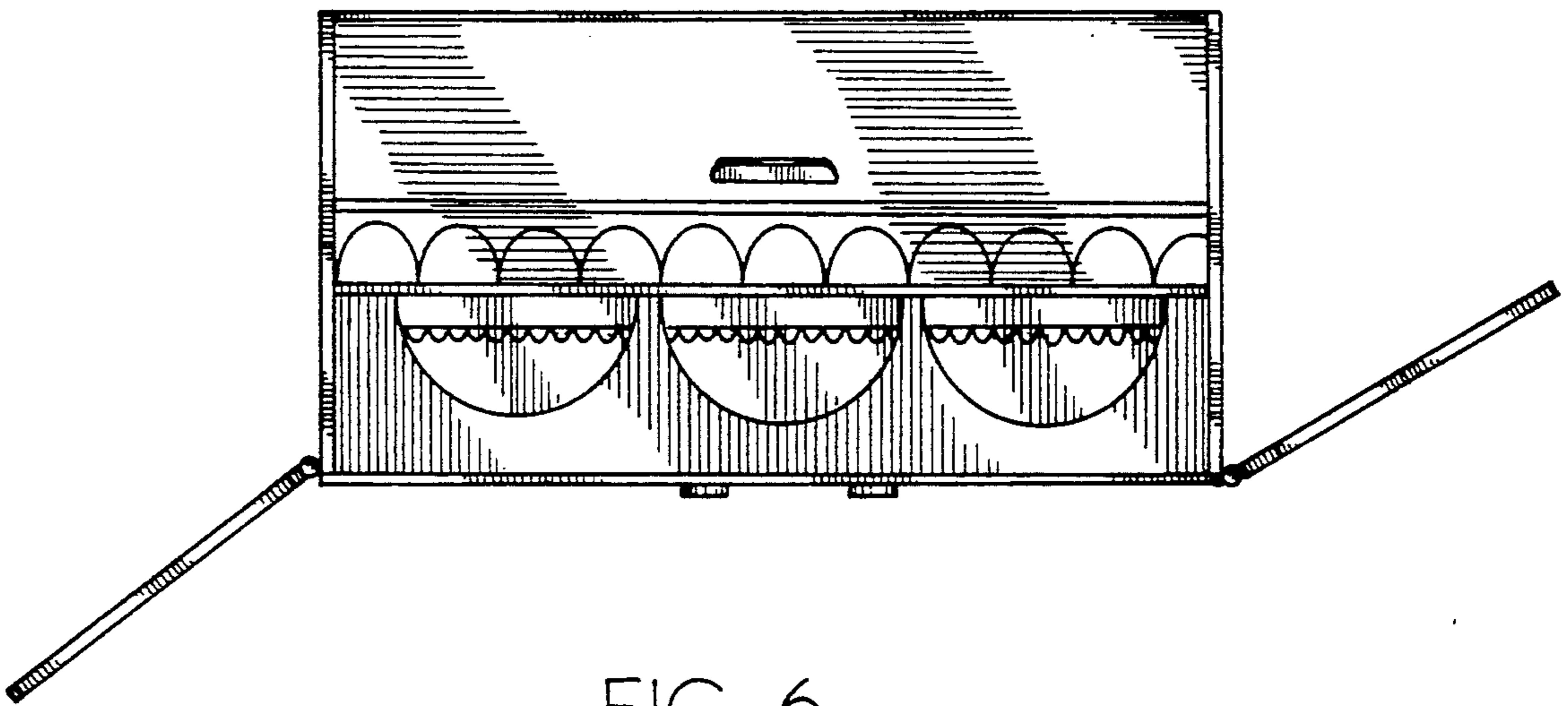


FIG. 6.