



US00D329512S

# United States Patent [19]

McKnight et al.

[11] Patent Number: **Des. 329,512**

[45] Date of Patent: **\*\* Sep. 15, 1992**

[54] **POWER NOZZLE FOR A VACUUM CLEANER**

[75] Inventors: **Darwin T. McKnight**, Louisville;  
**David W. Moine**, North Canton, both  
of Ohio

[73] Assignee: **The Hoover Company**, North Canton,  
Ohio

[\*\*] Term: **14 Years**

[21] Appl. No.: **372,303**

[22] Filed: **Jun. 26, 1989**

[52] U.S. Cl. .... **D32/32**

[58] Field of Search ..... **D32/31-33,**  
**D32/25, 22; 15/321-322, 378-402, 415.1,**  
**416-422.1**

[56] **References Cited**

**U.S. PATENT DOCUMENTS**

D. 127,288	5/1941	Walker	.....	D32/22
D. 152,183	1/1948	Barnhart	.....	D9/2
D. 153,424	4/1949	Dreyfuss	.....	D9/2
D. 232,616	9/1974	Wareham	.....	D32/22
D. 249,349	9/1978	Wareham	.....	D32/32
D. 252,332	7/1979	Schaefer	.....	D32/22
D. 262,539	1/1982	Wareham	.....	D32/22
D. 262,708	1/1982	Essex	.....	D15/5
D. 263,052	2/1982	Ueda	.....	D32/33
D. 301,648	6/1989	Kieft	.....	D32/22
D. 305,169	12/1989	Essex et al.	.....	D32/31

**FOREIGN PATENT DOCUMENTS**

37972 7/1974 Canada .  
51685 8/1983 Canada .

*Primary Examiner*—A. Hugo Word  
*Assistant Examiner*—Ruth McInroy

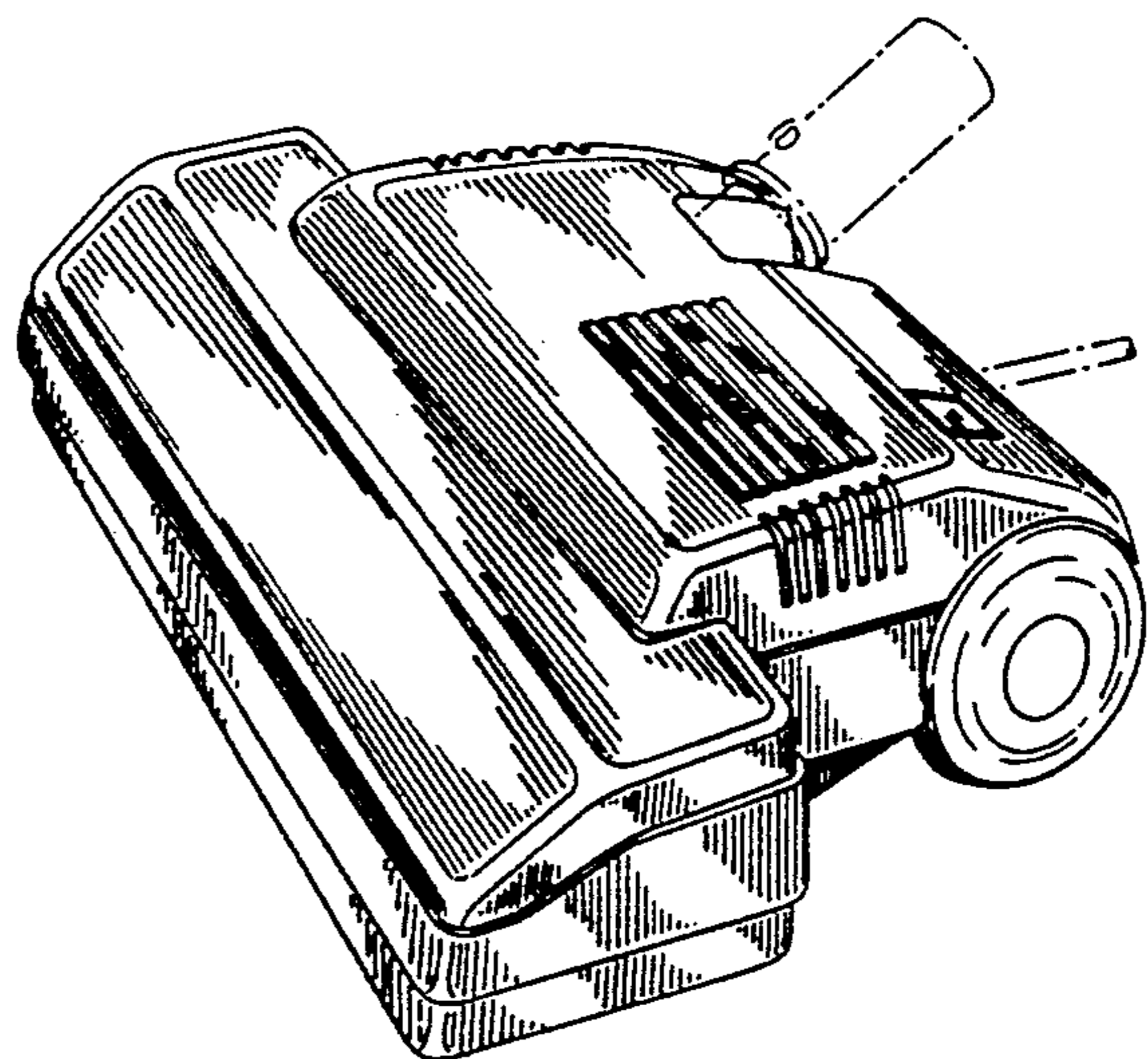
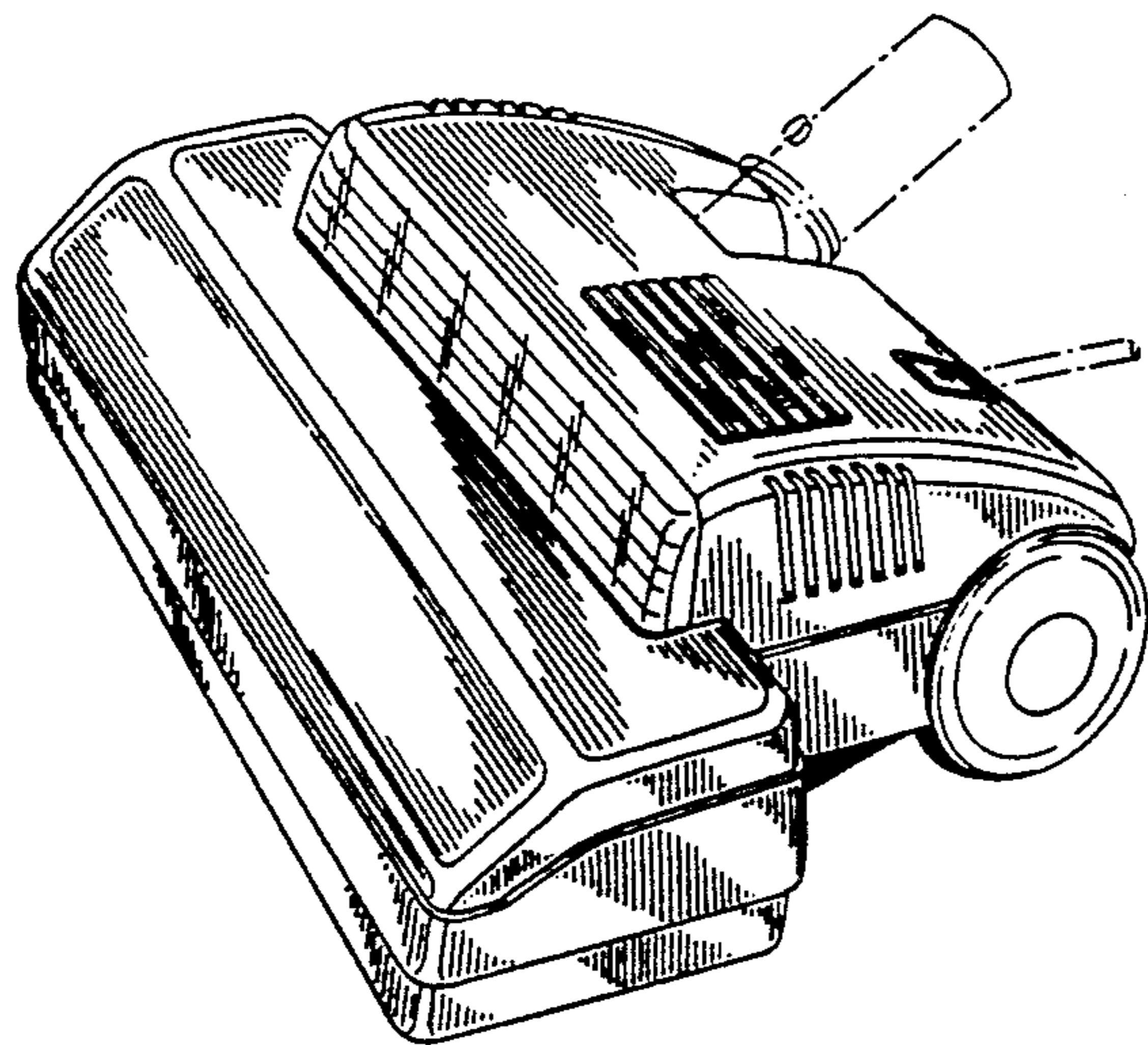
[57] **CLAIM**

The ornamental design for a power nozzle for a vacuum cleaner, as shown and described.

**DESCRIPTION**

FIG. 1 is a perspective view of a power nozzle for a vacuum cleaner showing our new design;  
 FIG. 2 is a top plan view thereof;  
 FIG. 3 is a left side elevational view thereof, the right side being a mirror image;  
 FIG. 4 is a front elevational view thereof;  
 FIG. 5 is a rear elevational view thereof;  
 FIG. 6 is a bottom plan view thereof;  
 FIG. 7 is a perspective view of a second embodiment thereof;  
 FIG. 8 is a top plan view thereof;  
 FIG. 9 is a left side elevational view thereof, the right side being a mirror image;  
 FIG. 10 is a front elevational view thereof;  
 FIG. 11 is a rear elevational view thereof; and,  
 FIG. 12 is a bottom plan view thereof.

The details shown in broken lines in FIGS. 1-12 are shown for illustrative purposes only and form no part of the claimed design.



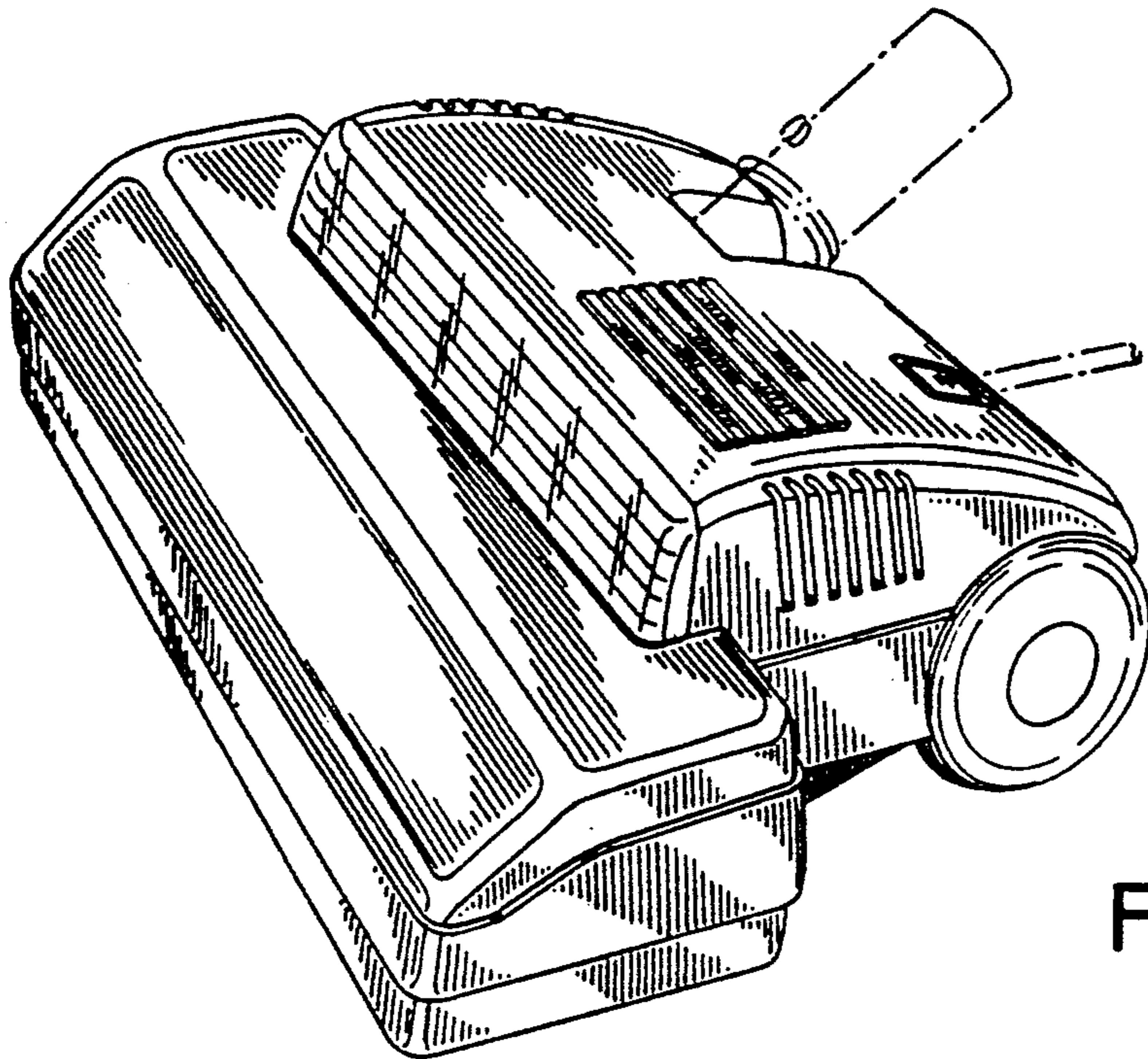


FIG.-1

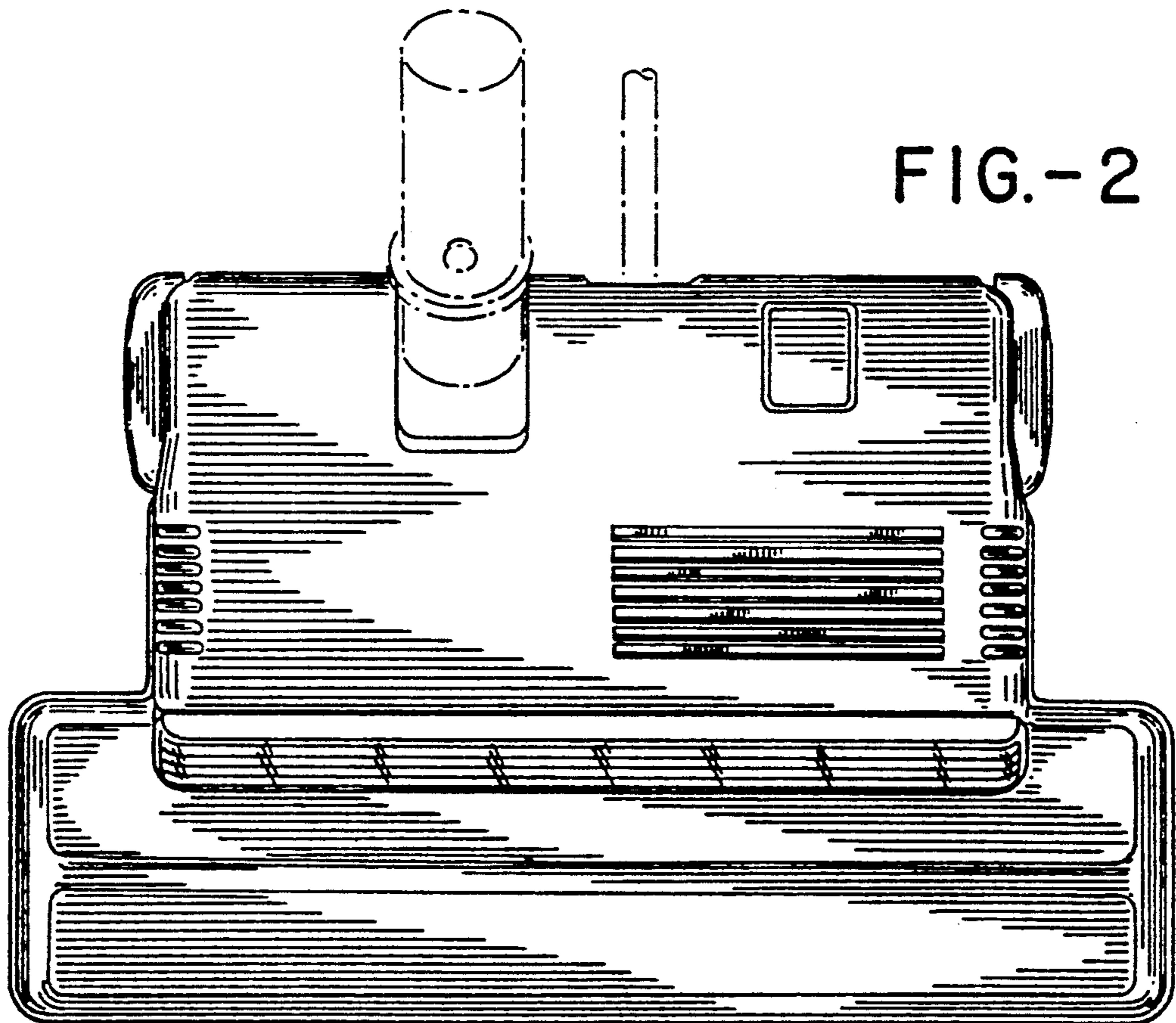


FIG.-2

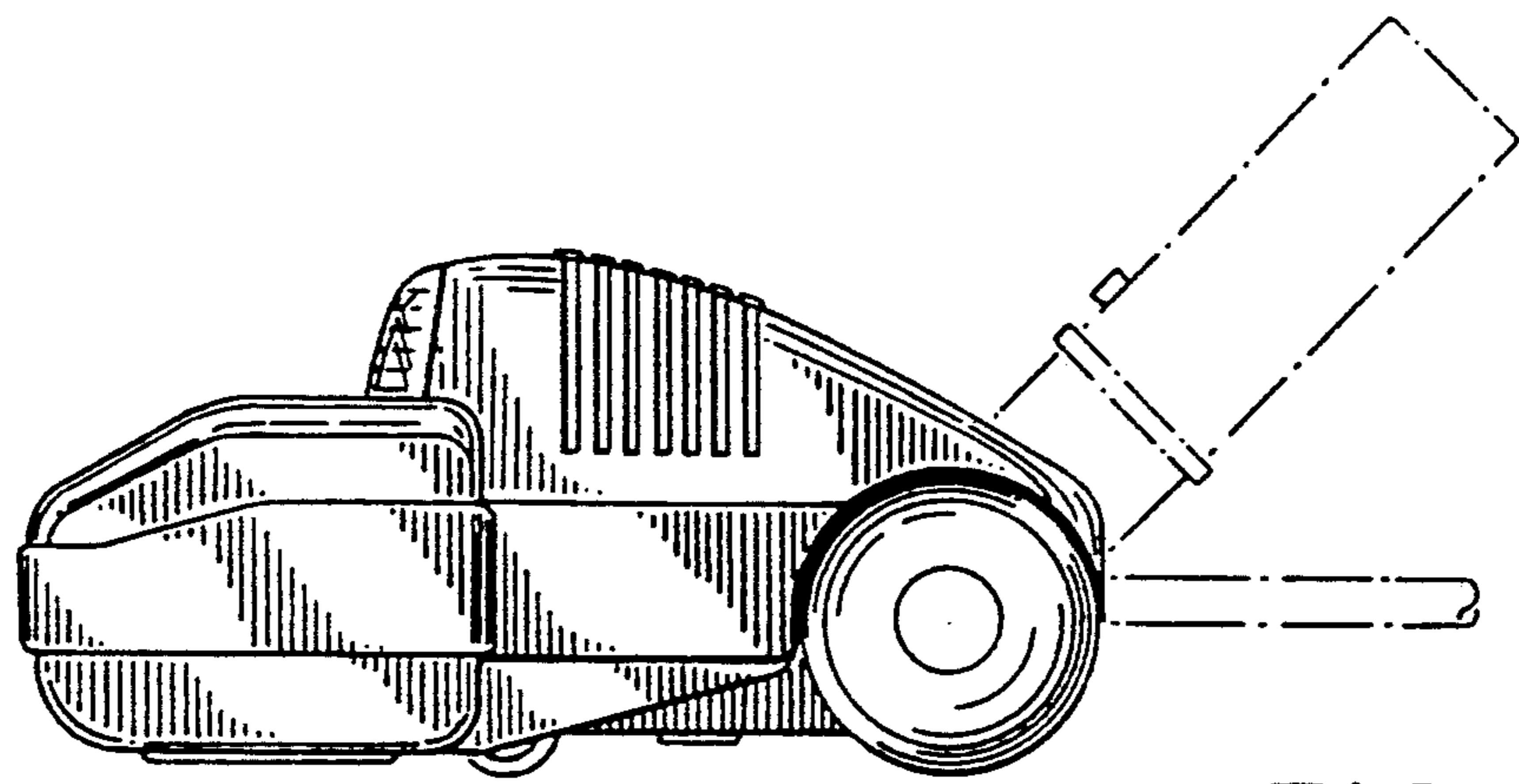


FIG.-3

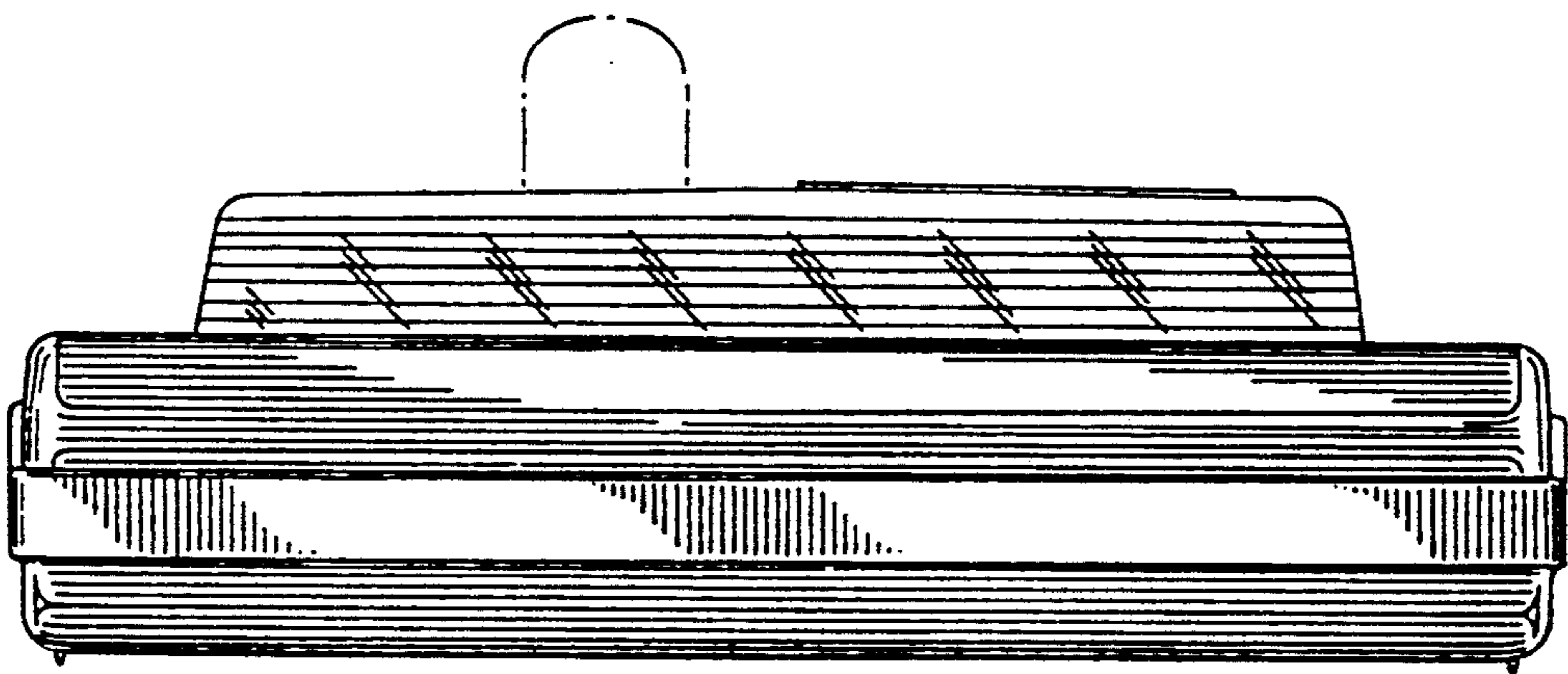


FIG.-4

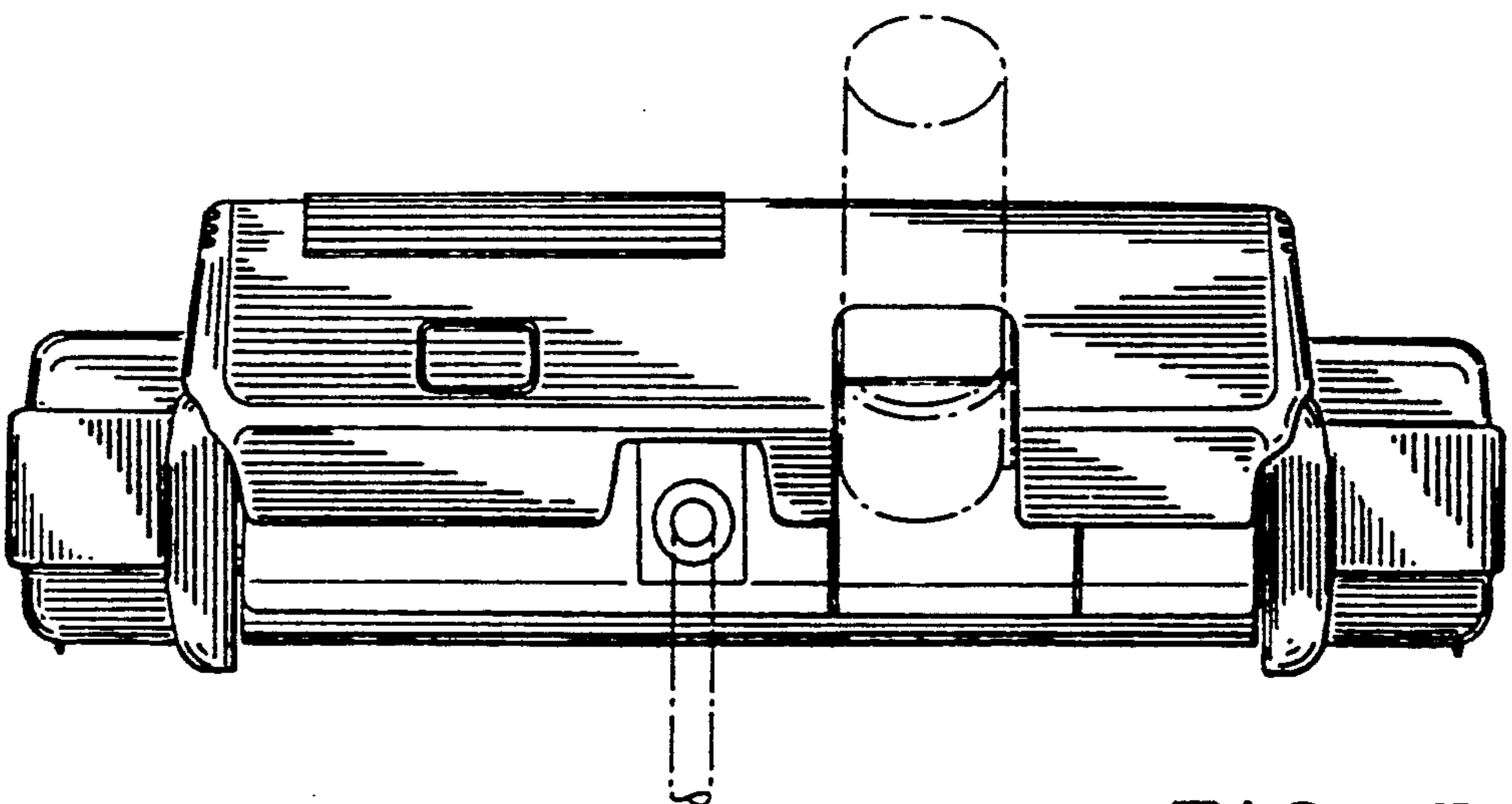


FIG.-5

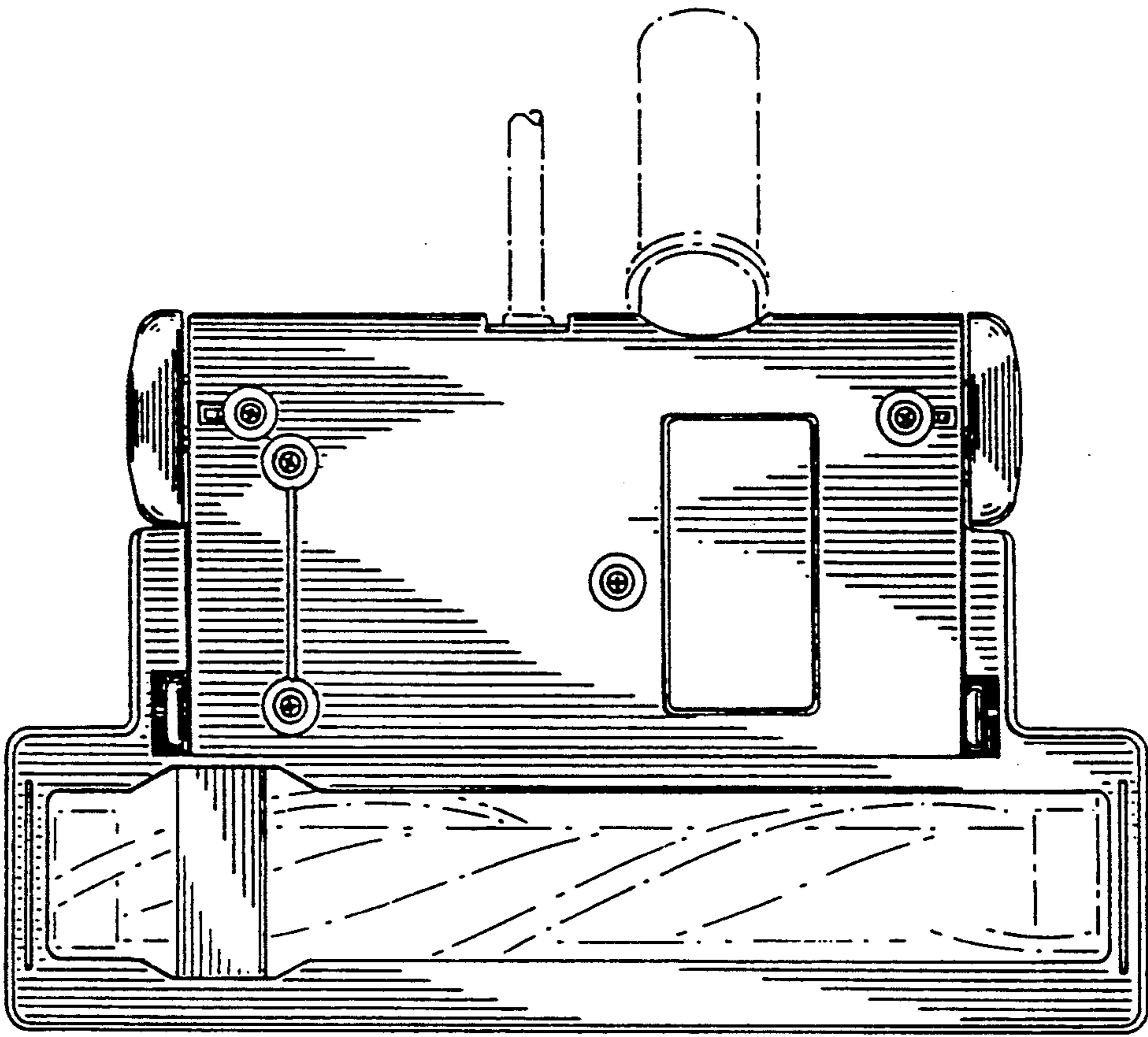


FIG.- 6

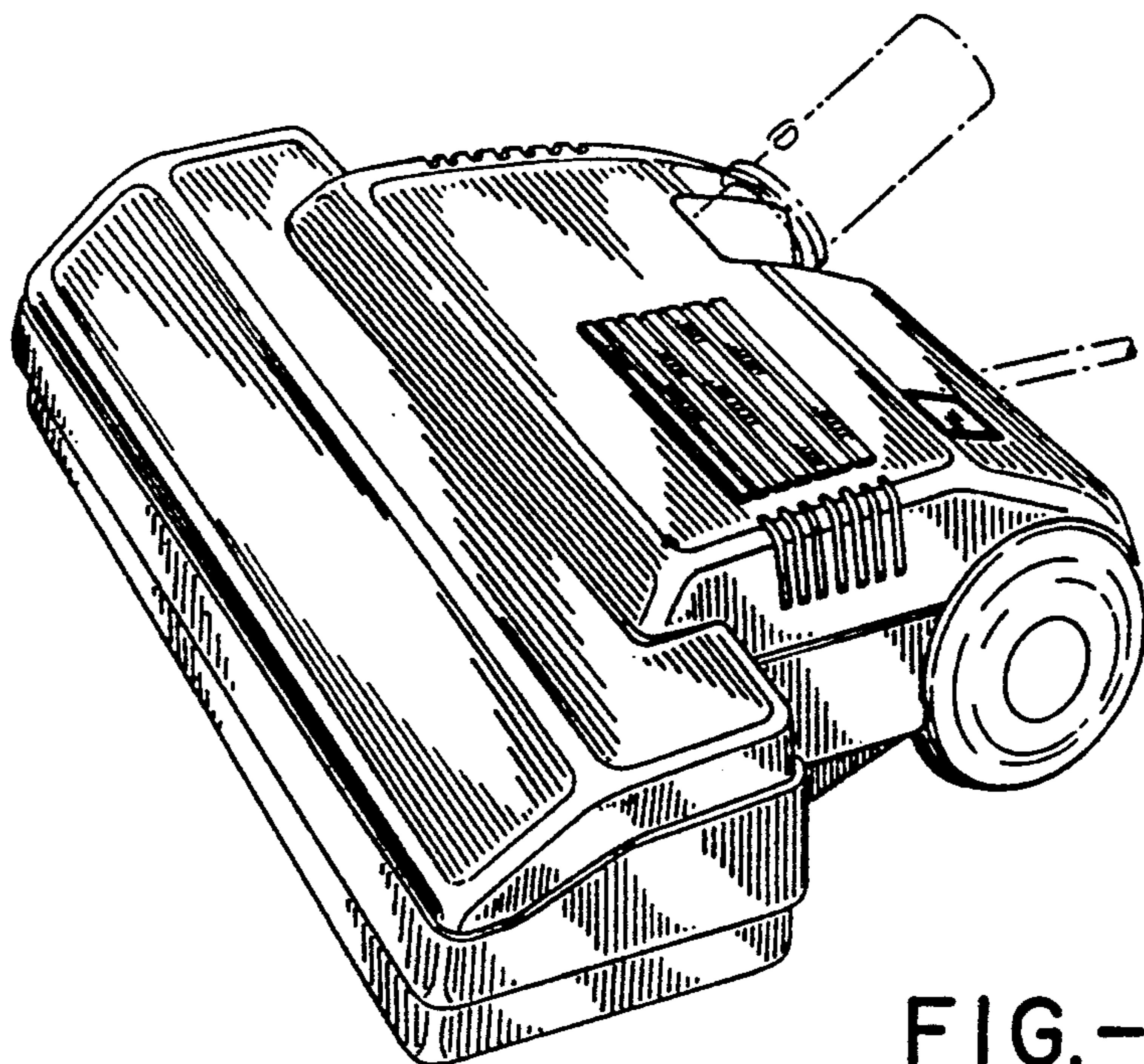


FIG.- 7

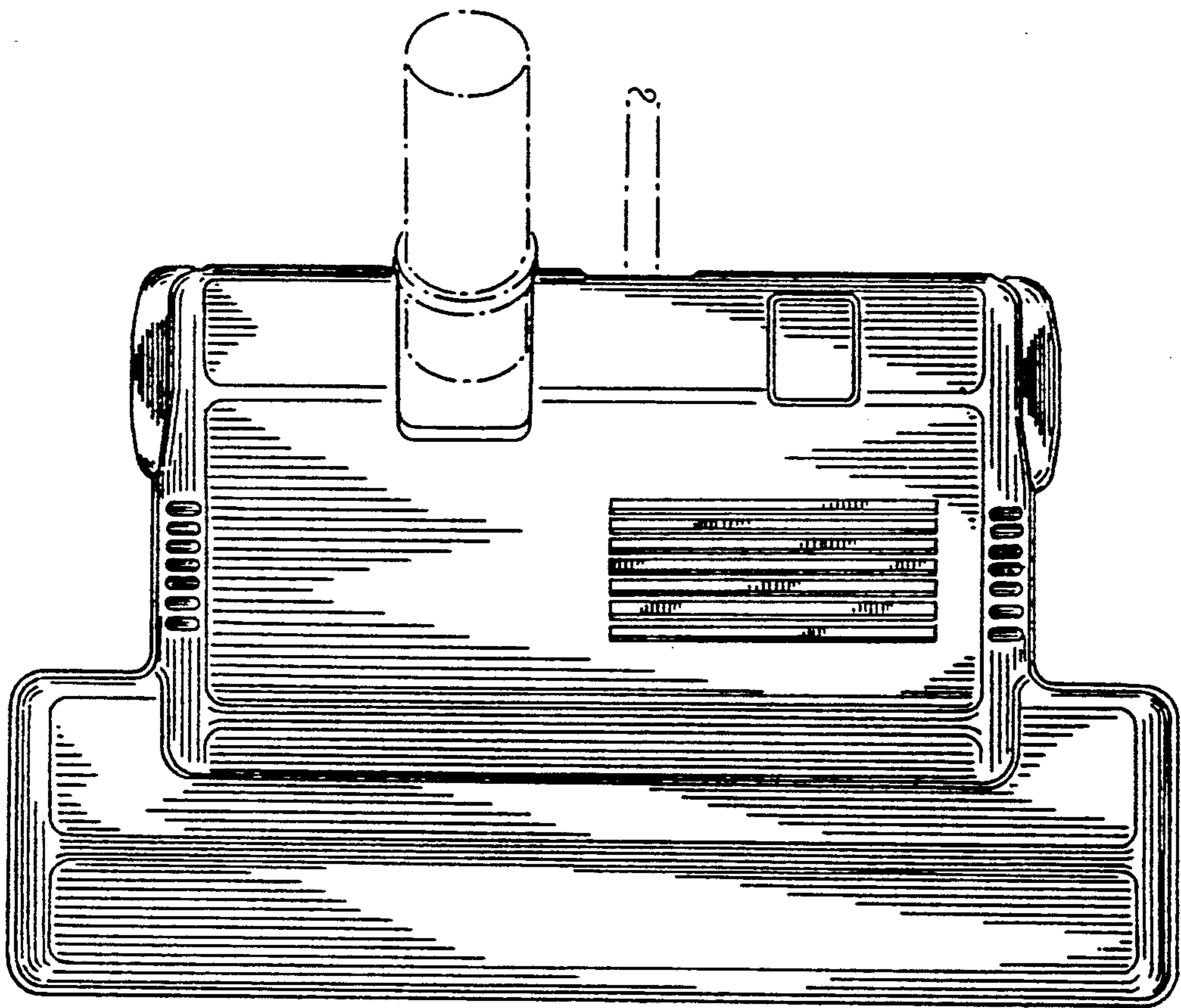
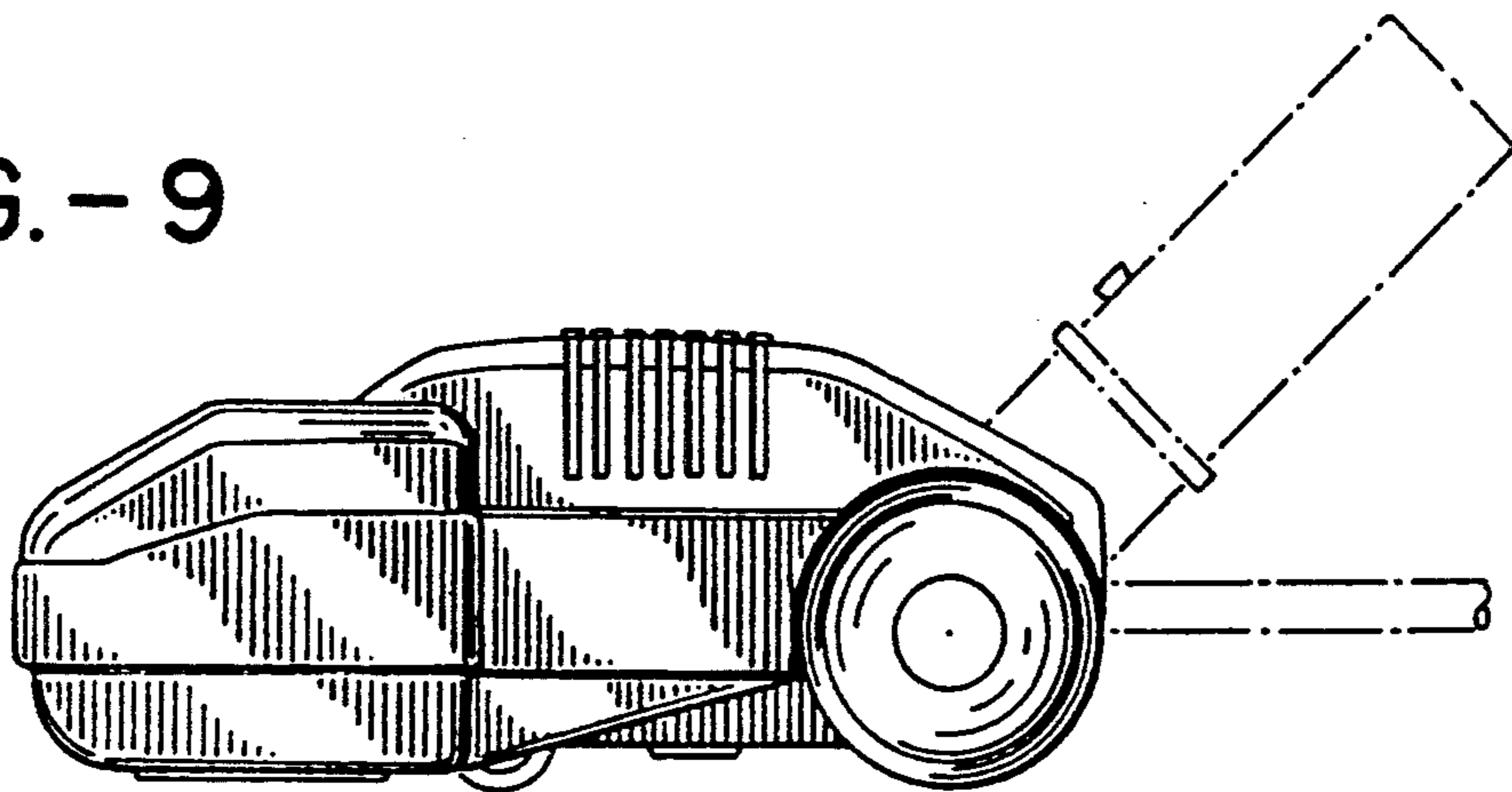


FIG. - 8

FIG. - 9



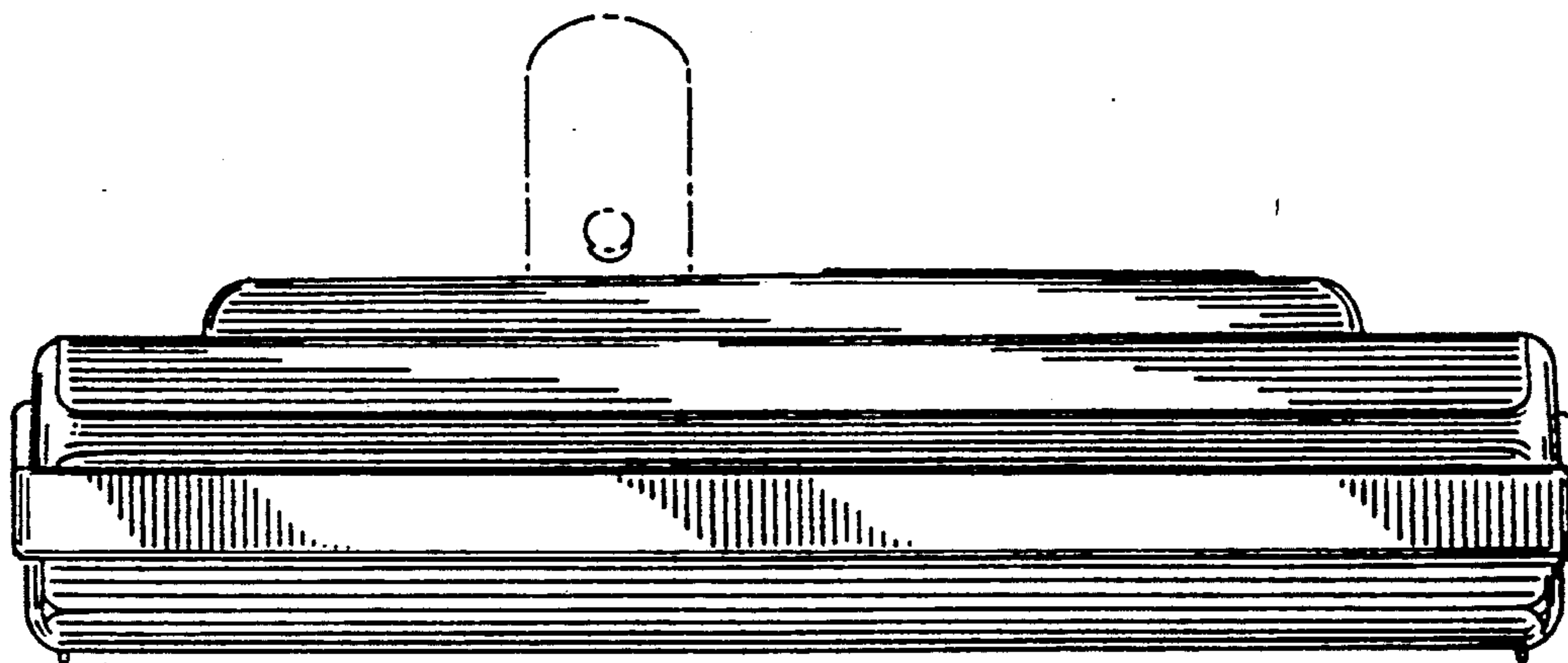


FIG.-10

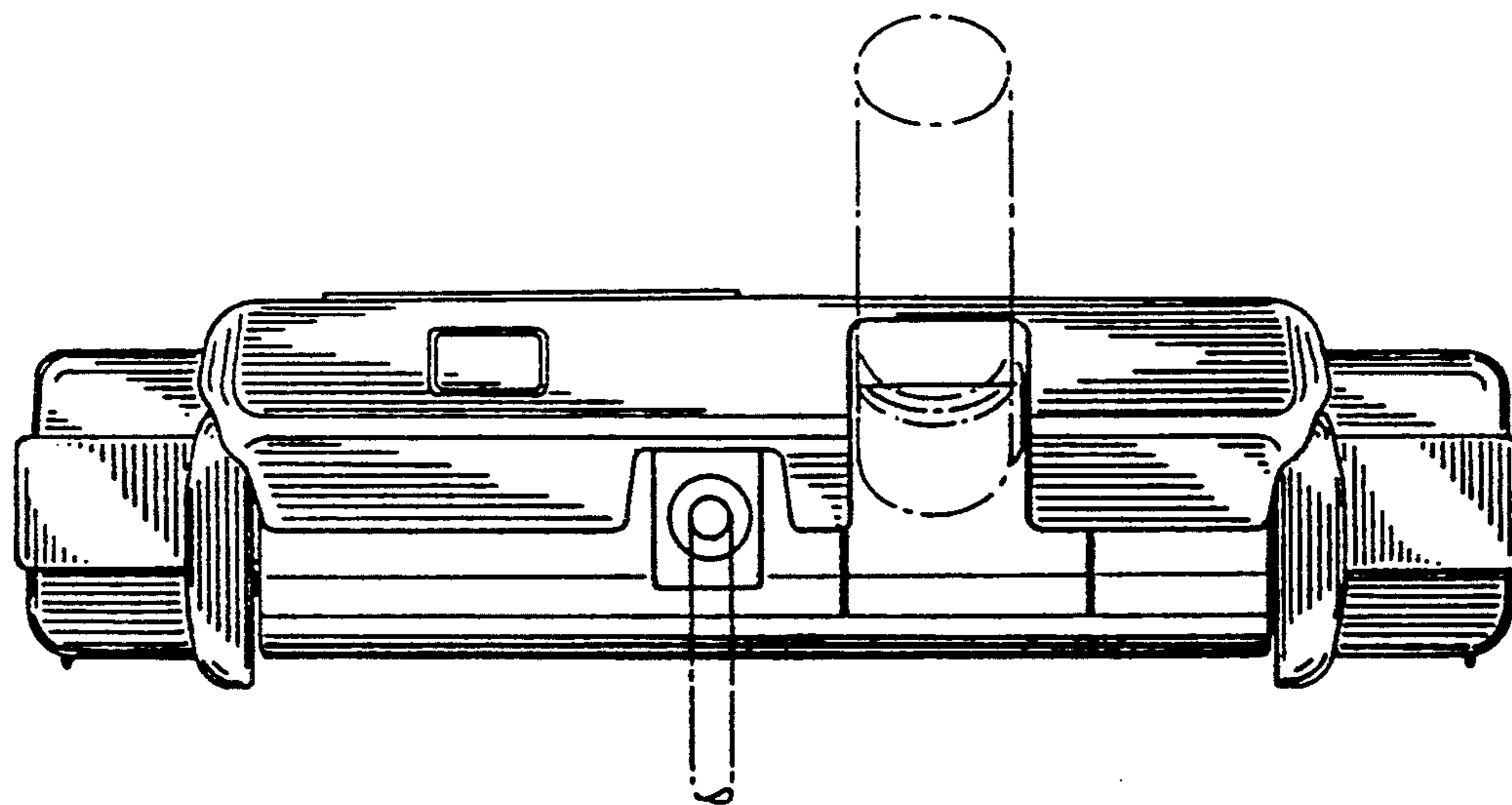


FIG.-11

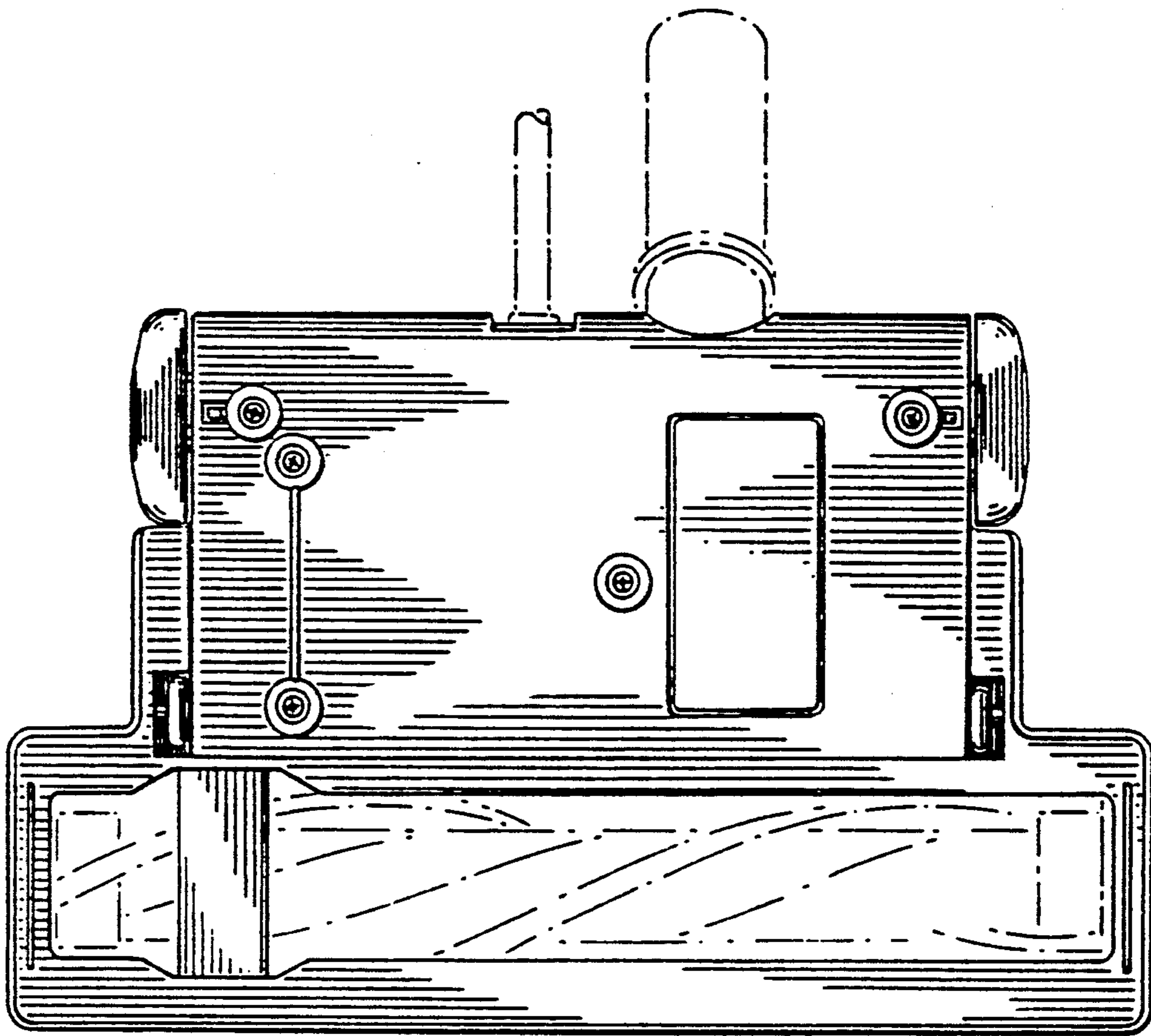


FIG. 12