



US00D329510S

**United States Patent** [19]  
**Lin**

[11] **Patent Number: Des. 329,510**

[45] **Date of Patent: \*\* Sep. 15, 1992**

[54] **HAND HELD ELECTRIC PROD**

4,968,034 11/1990 Hsieh ..... 231/7  
4,997,127 5/1991 McEwen ..... 273/84 ES

[76] **Inventor: Hsiung Lin, No. 25, Lane 152,  
Kun-Yang St., Taipei City, Taiwan**

**FOREIGN PATENT DOCUMENTS**

2196728 5/1988 United Kingdom ..... 273/84 ES

[\*\*] **Term: 14 Years**

*Primary Examiner*—A. Hugo Word  
*Assistant Examiner*—CathyAnne MacCormac  
*Attorney, Agent, or Firm*—Christensen, O'Connor,  
Johnson & Kindness

[21] **Appl. No.: 605,179**

[22] **Filed: Oct. 26, 1990**

[52] **U.S. Cl. .... D30/156; D22/117**

[58] **Field of Search .... D30/156, 199;  
273/84 ES; 119/29; 231/7; D22/117**

[57] **CLAIM**

The ornamental design for hand held electric prod, as shown and described.

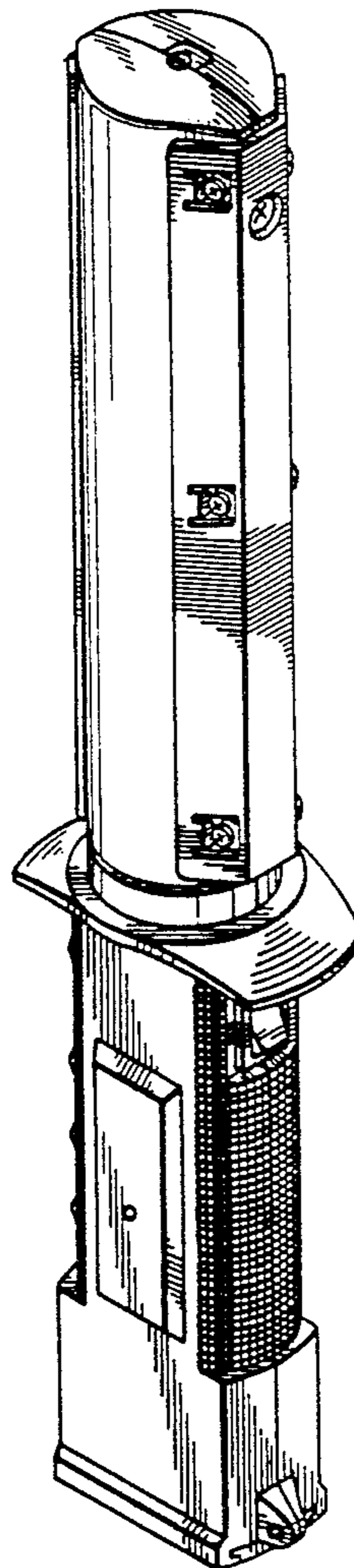
[56] **References Cited**

**U.S. PATENT DOCUMENTS**

D. 318,149	7/1991	Young	.....	D30/156
D. 323,870	2/1992	Kaufman	.....	D22/117
1,158,473	11/1915	Floyd	.....	231/7
2,208,852	7/1940	Mongan	.....	D30/156
3,599,860	8/1971	Huwaldt	.....	231/7
3,625,222	12/1971	Shimizu	.....	273/84 ES
4,367,843	1/1983	Bros et al.	.....	231/7
4,486,807	12/1984	Yanez	.....	273/84 ES

**DESCRIPTION**

FIG. 1 is a front elevational view of hand held electric prod showing my new design;  
FIG. 2 is a rear elevational view thereof;  
FIG. 3 is a left side view thereof;  
FIG. 4 is a right side view thereof;  
FIG. 5 is a top plan view thereof;  
FIG. 6 is a bottom plan view thereof; and,  
FIG. 7 is a perspective view thereof.



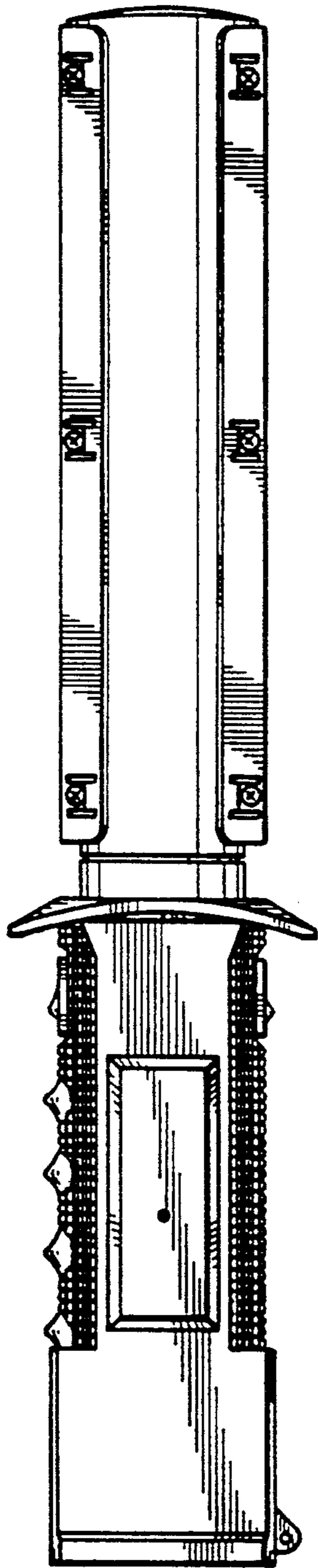


FIG. 1

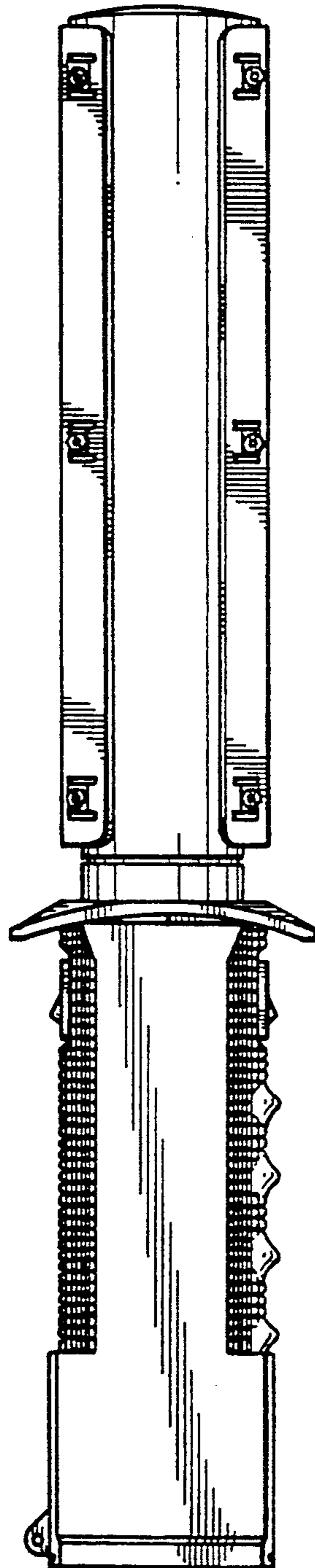


FIG. 2

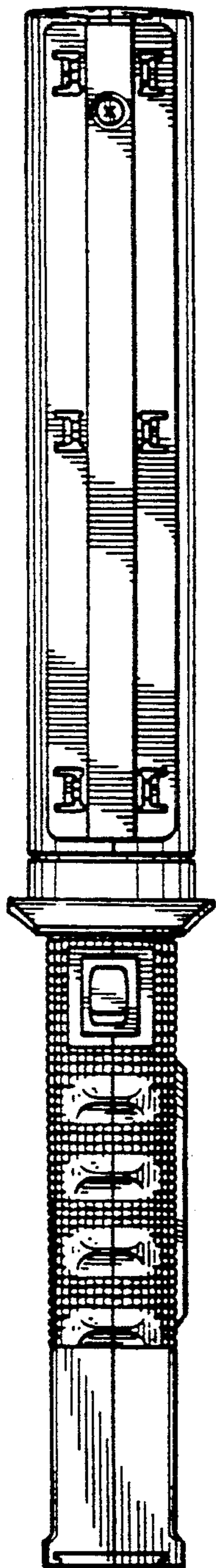


FIG. 3

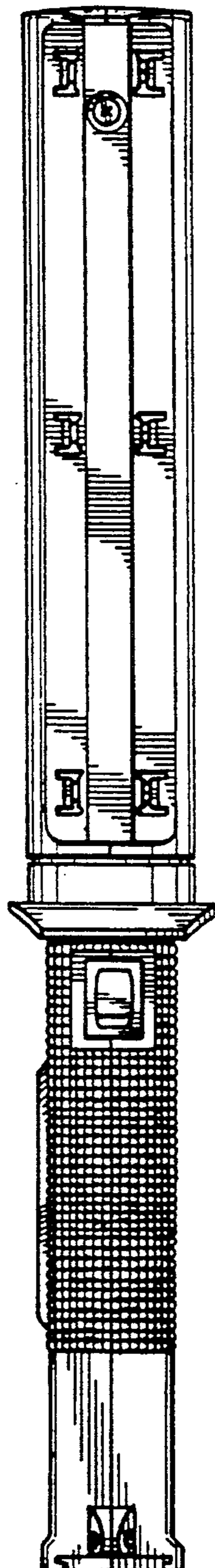


FIG. 4

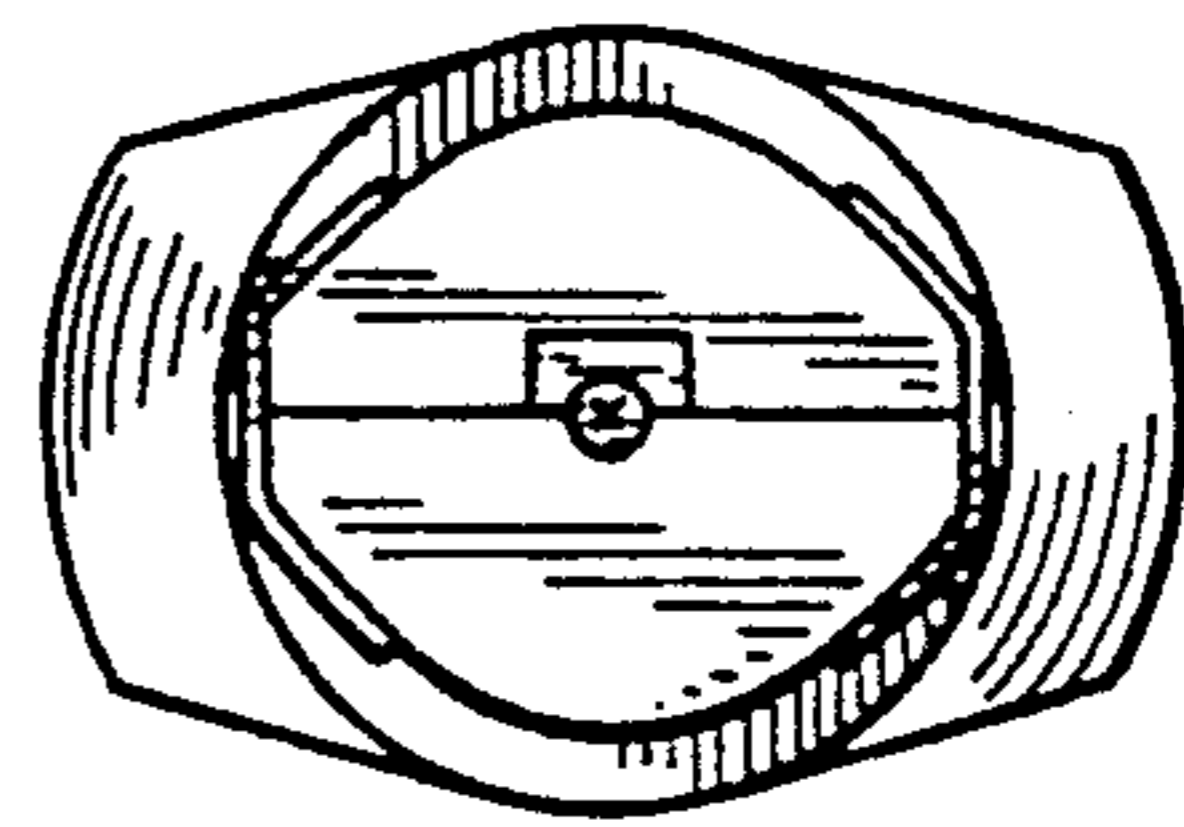


FIG. 5

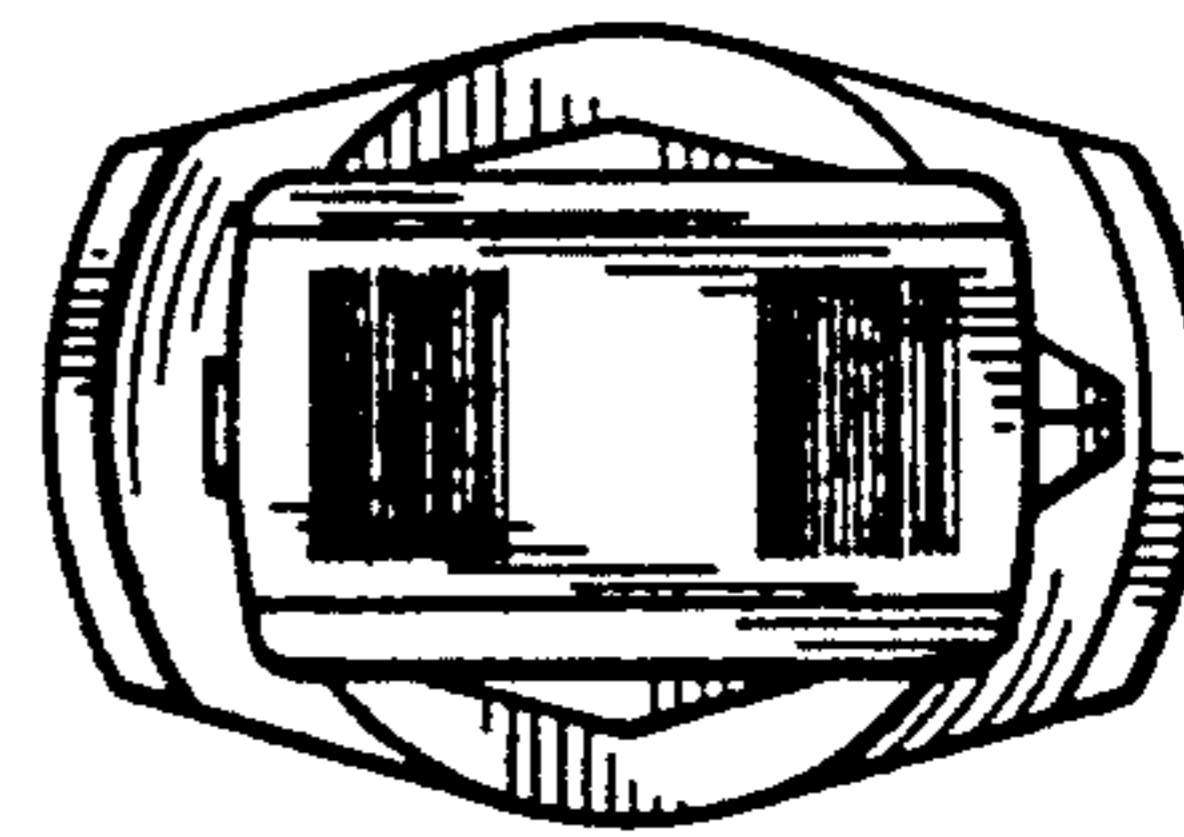


FIG. 6

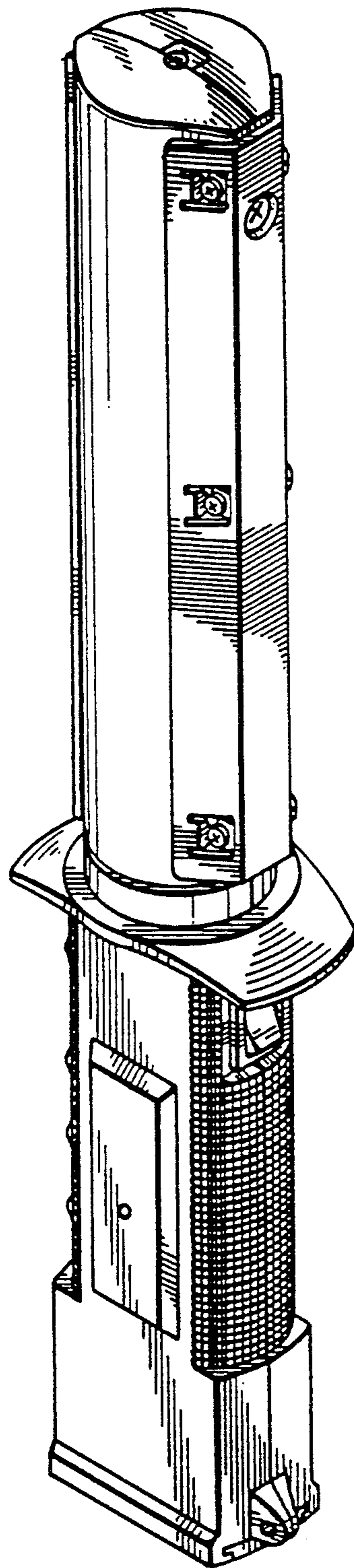


FIG. 7