



US00D329509S

# United States Patent [19]

Burleigh

[11] Patent Number: **Des. 329,509**

[45] Date of Patent: **\*\* Sep. 15, 1992**

[54] **BIRD FEEDER**

[76] Inventor: **Joseph H. Burleigh**, 50 Lawndale Ave., Franklin, N.H. 03235

[\*\*] Term: **14 Years**

[21] Appl. No.: **753,701**

[22] Filed: **Sep. 4, 1991**

[52] U.S. Cl. .... **D30/124**

[58] Field of Search ..... **D30/110-111, D30/124-128; 119/23, 83, 158-160, 52.1-52.2**

3,134,361	5/1964	Decker	.....	D30/111
3,977,363	8/1976	Fisher, Jr.	.....	119/52 R
4,389,975	6/1983	Fisher, Jr.	.....	119/51 R
4,947,797	8/1990	Lawrence, Jr.	.....	119/52.2

*Primary Examiner*—A. Hugo Word  
*Assistant Examiner*—Cathy Anne MacCormac  
*Attorney, Agent, or Firm*—Michael J. Weins

### [57] CLAIM

The ornamental design for a bird feeder, as shown and described.

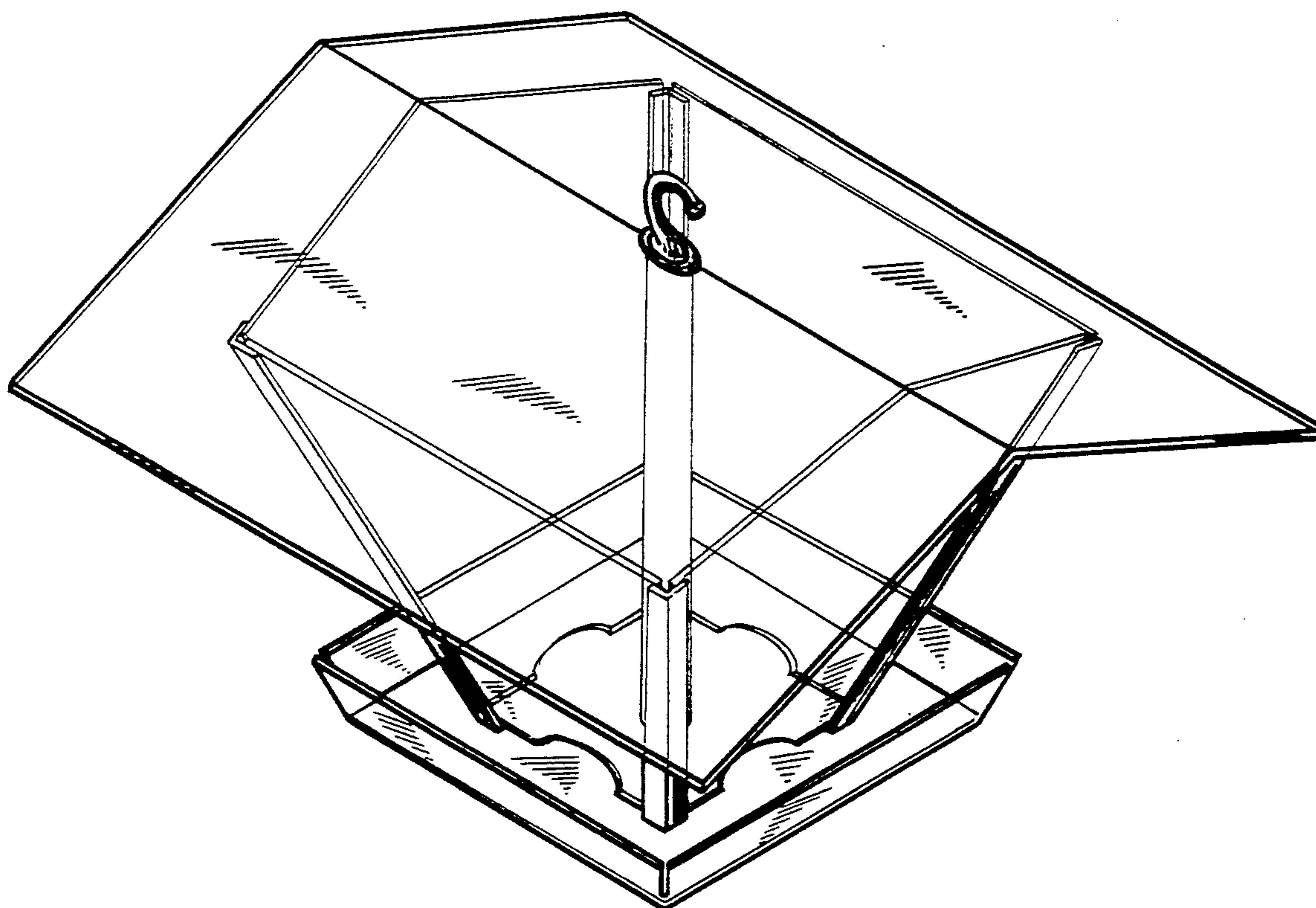
### DESCRIPTION

FIG. 1 is a perspective view of a bird feeder showing my new design;  
FIG. 2 is a front elevational view thereof, the rear being identical to the front view shown except for the hanging hook;  
FIG. 3 is a side elevational view thereof, the opposite side being identical to the side shown except for the hook;  
FIG. 4 is a reduced scale bottom plan view thereof; and  
FIG. 5 is a reduced scale top plan view thereof.

### [56] References Cited

#### U.S. PATENT DOCUMENTS

D. 194,109	11/1962	Dilley	.....	D30/126
D. 245,349	8/1977	Fisher, Jr.	.....	D30/128
D. 249,087	8/1978	Simmons	.....	D30/126
D. 274,563	7/1984	Blasbalg	.....	D30/128
D. 289,211	4/1987	Riha	.....	D30/125
D. 290,769	7/1987	Taylor	.....	D30/124
2,184,633	12/1939	Copeman	.....	119/23
3,086,499	4/1963	Dilley	.....	119/23



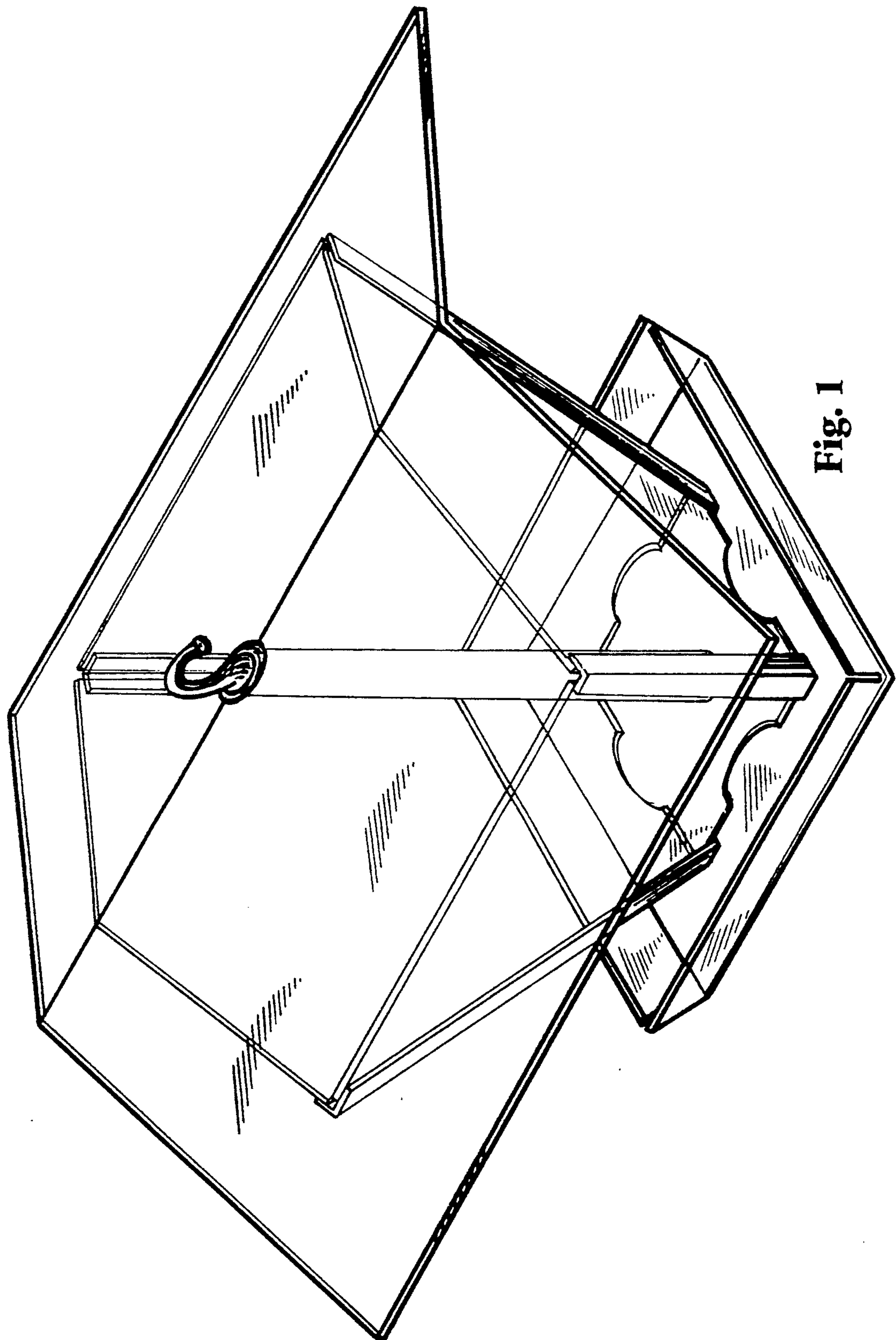


Fig. 1

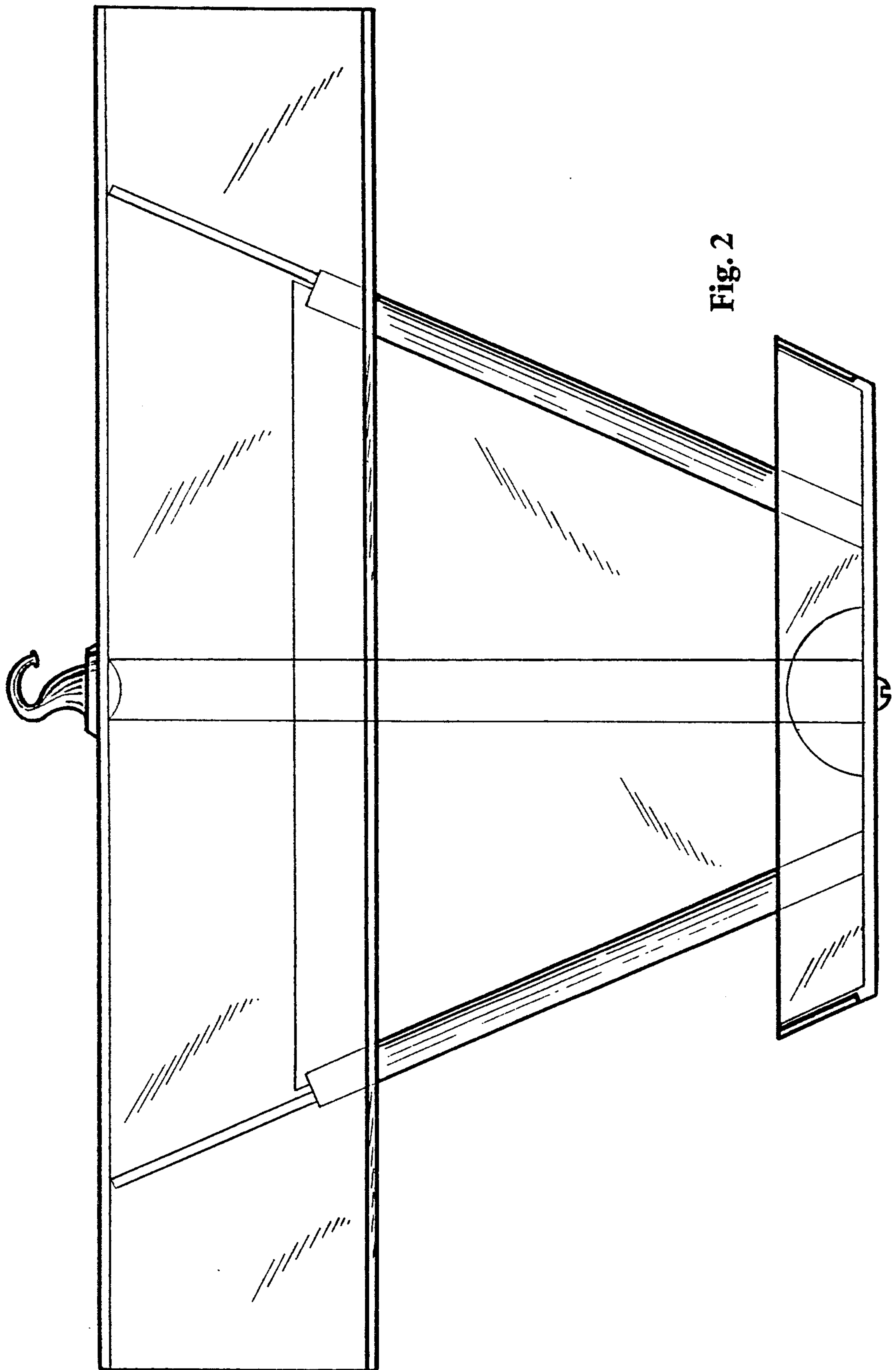


Fig. 2



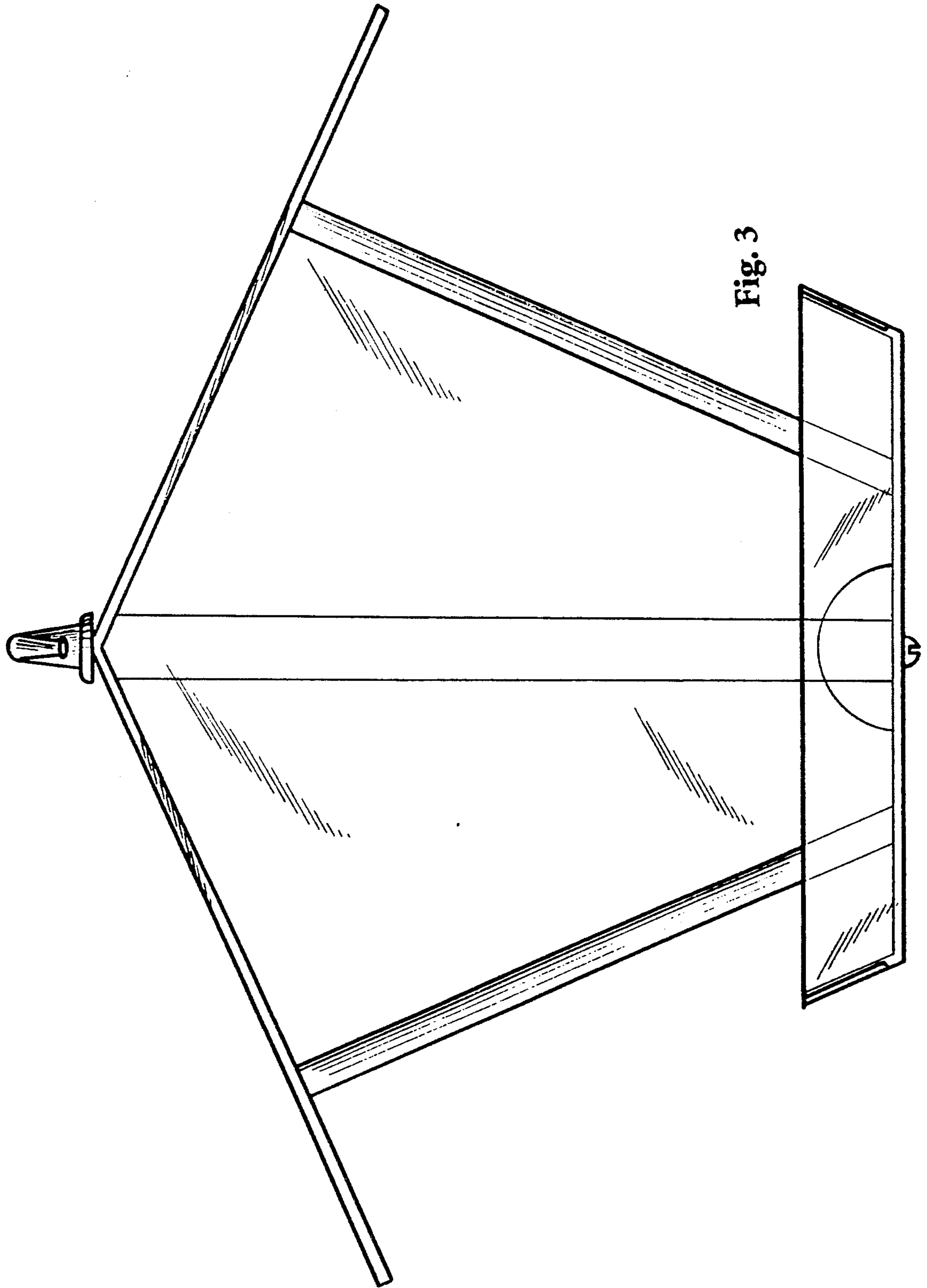


Fig. 4

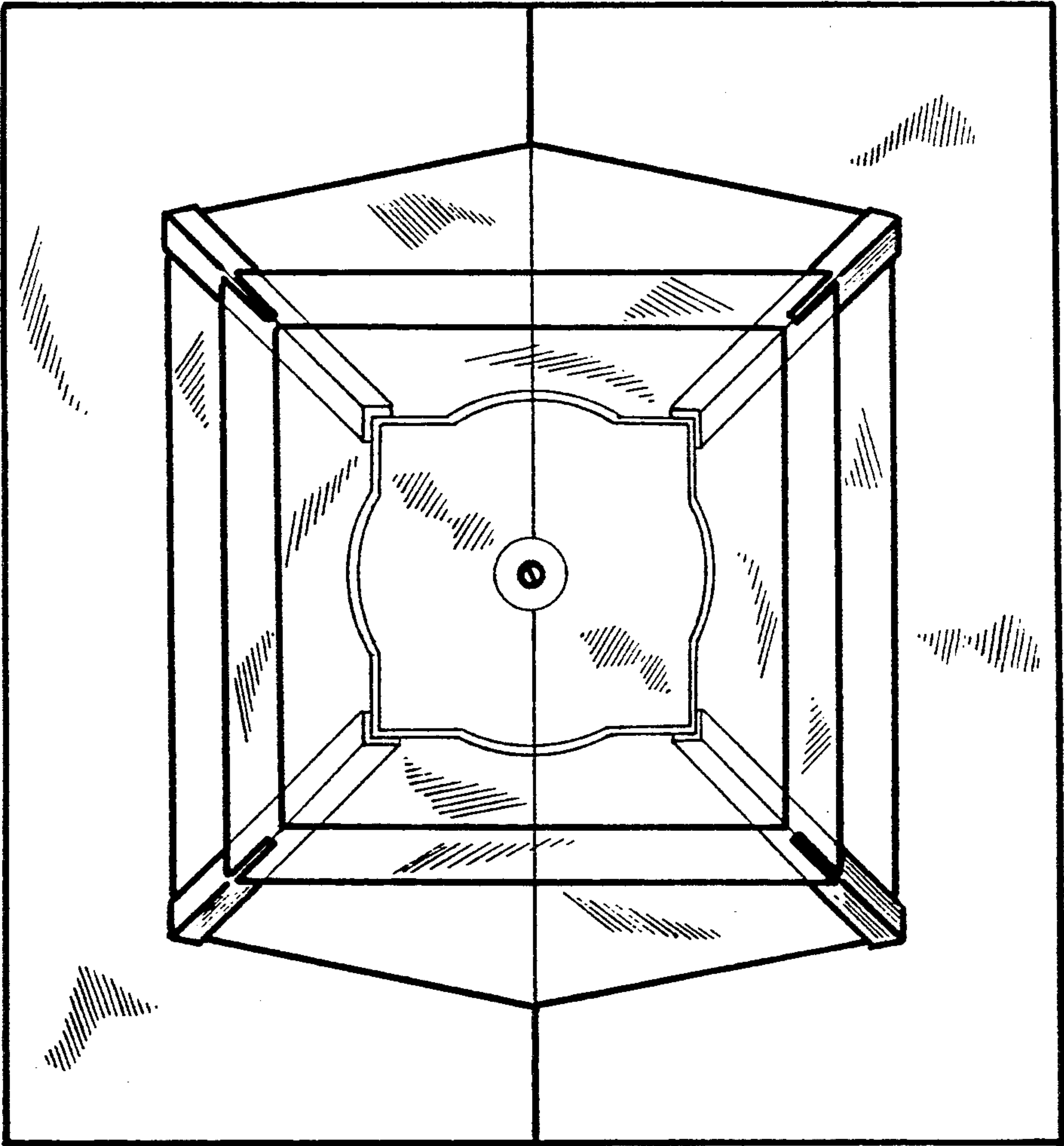


Fig. 5

