



US00D329504S

United States Patent [19]

Yuen

[11] Patent Number: **Des. 329,504**

[45] Date of Patent: **** Sep. 15, 1992**

[54] MULTIPURPOSE FLUORESCENT LANTERN

[75] Inventor: John S. Yuen, Kowloon, Hong Kong

[73] Assignee: John Manufacturing Limited, Hong Kong, Hong Kong

[**] Term: 14 Years

[21] Appl. No.: 598,898

[22] Filed: Oct. 16, 1990

[30] Foreign Application Priority Data

May 30, 1990 [GB]	United Kingdom	2007195
[52] U.S. Cl.		D26/42; D26/44
[58] Field of Search		D26/37-50;
		362/157, 158, 183-191, 194-205

[56] References Cited

U.S. PATENT DOCUMENTS

D. 271,909	12/1983	Mallory	D26/42
D. 304,090	10/1989	Wan	D26/42

D. 318,134	7/1991	Yuen	D26/42
4,364,104	12/1982	Holahan et al.	362/202 X
4,977,489	12/1990	Fung	362/184

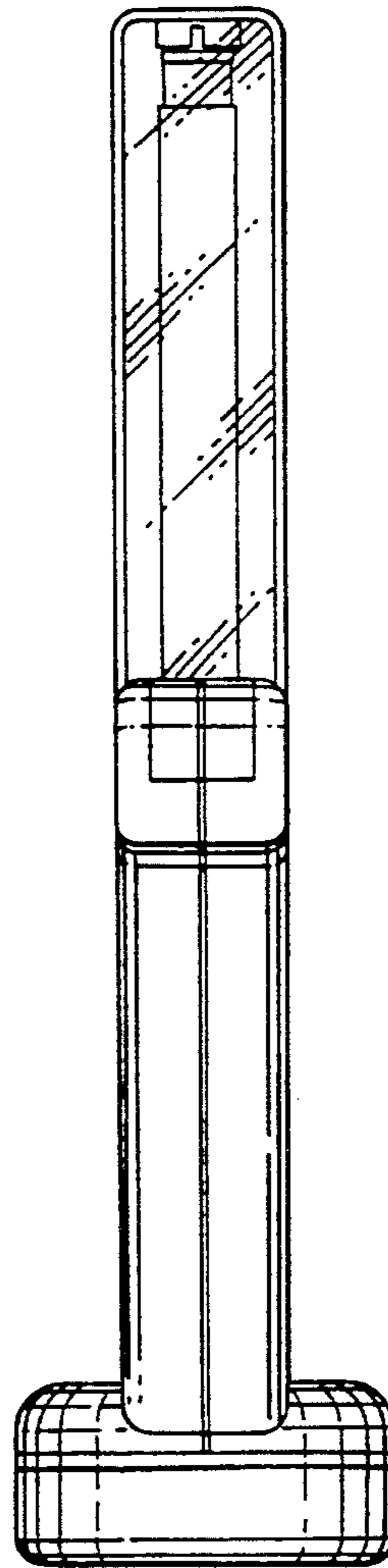
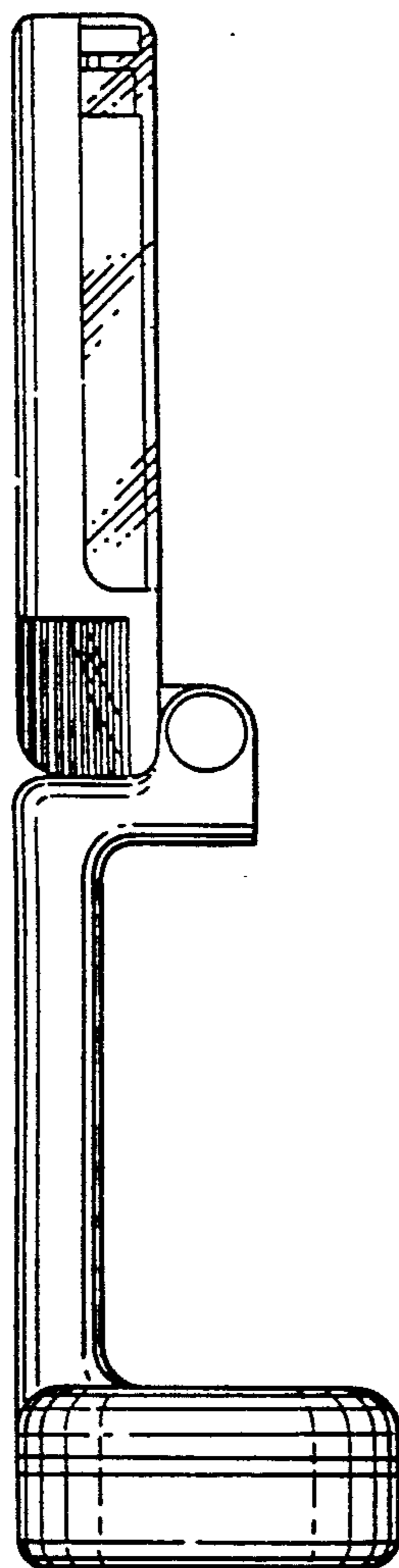
Primary Examiner—Susan J. Lucas
Attorney, Agent, or Firm—Fay, Sharpe, Beall, Fagan, Minnich & McKee

[57] CLAIM

The ornamental design for a multipurpose fluorescent lantern, as shown and described.

DESCRIPTION

FIG. 1 is a top plan view of a multipurpose fluorescent lantern showing my new design;
 FIG. 2 is a right side elevational view, the left side being a mirror image view thereof;
 FIG. 3 is a bottom plan view thereof;
 FIG. 4 is a front elevational view thereof;
 FIG. 5 is a rear elevational view thereof;
 FIG. 6 is a right side elevational view thereof with the fluorescent light pivoted to an operational position; and,
 FIG. 7 is a bottom plan view of the lantern in the position shown in FIG. 6.



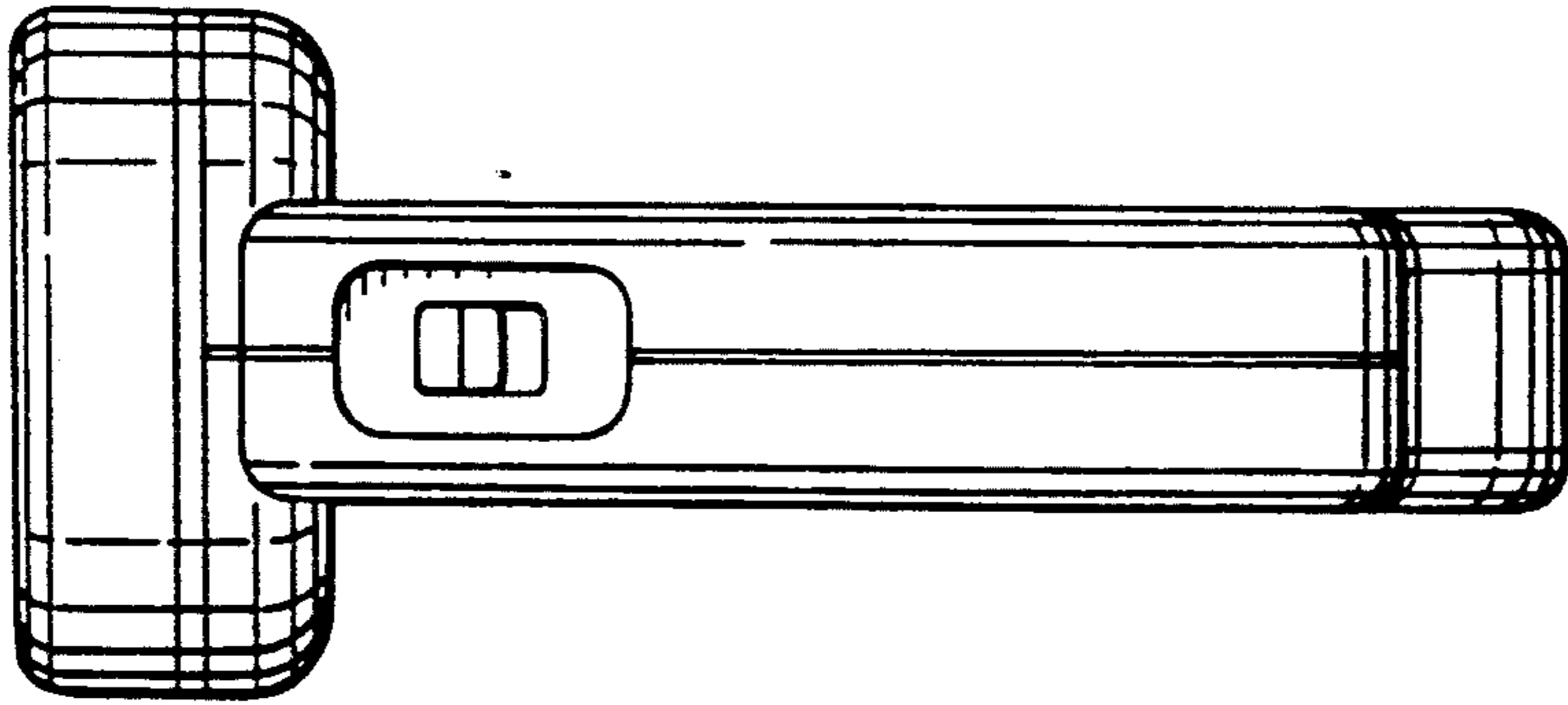


FIG.1.

FIG.2.

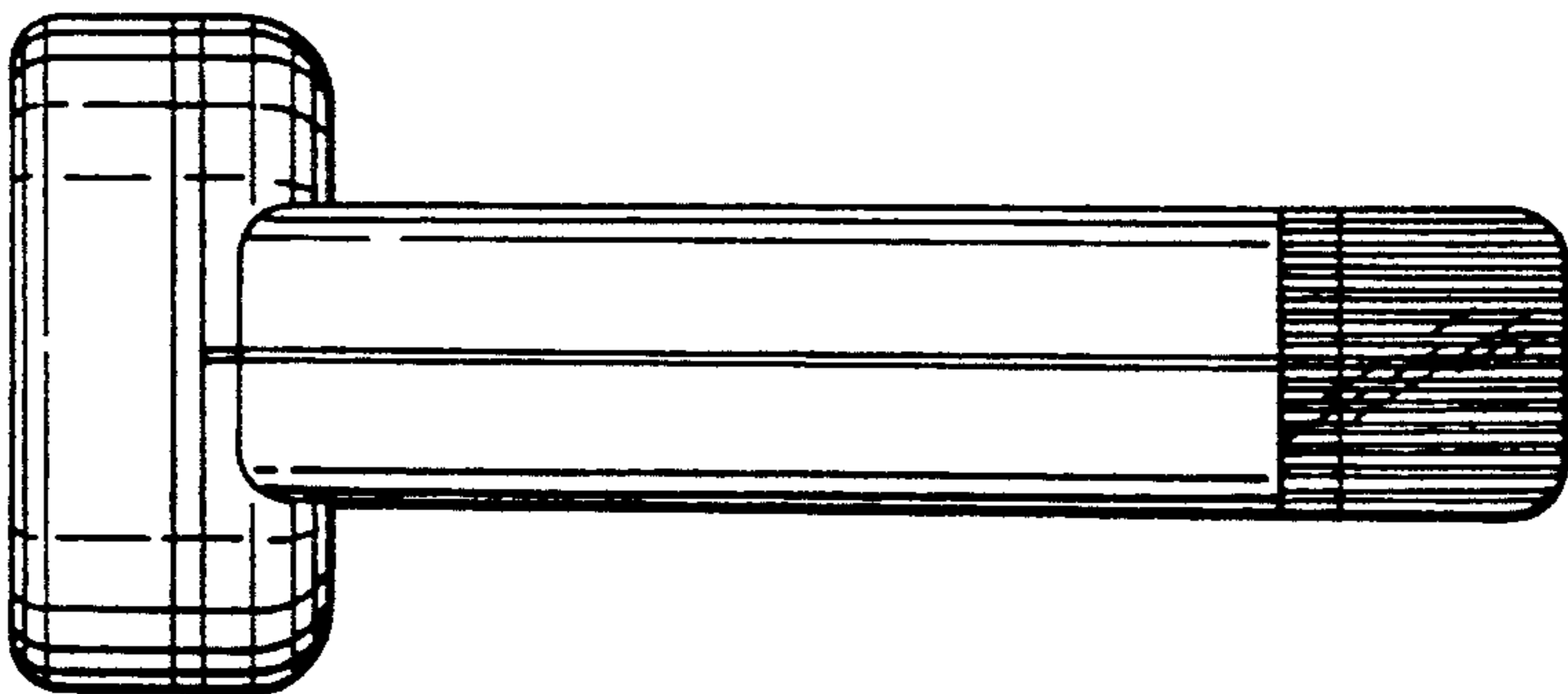
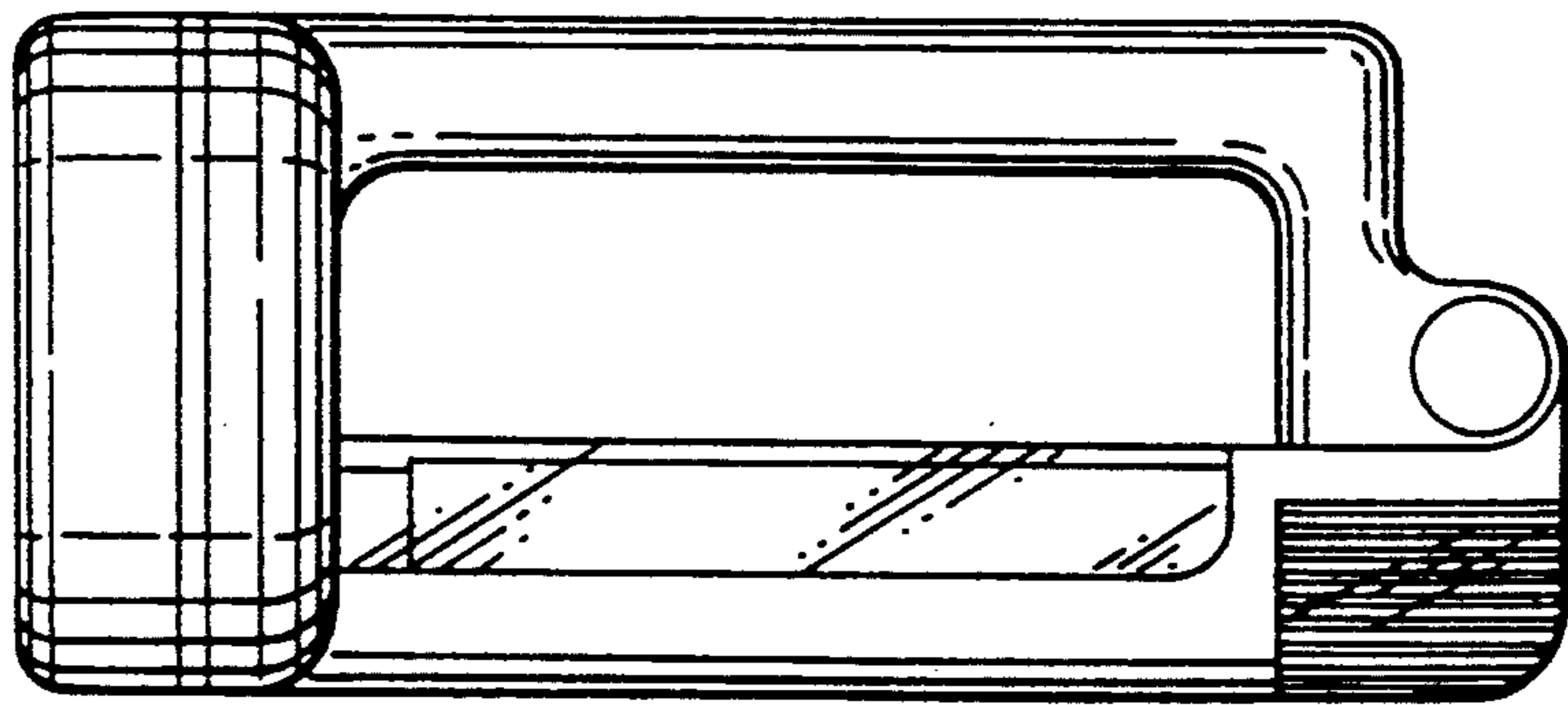


FIG.3.

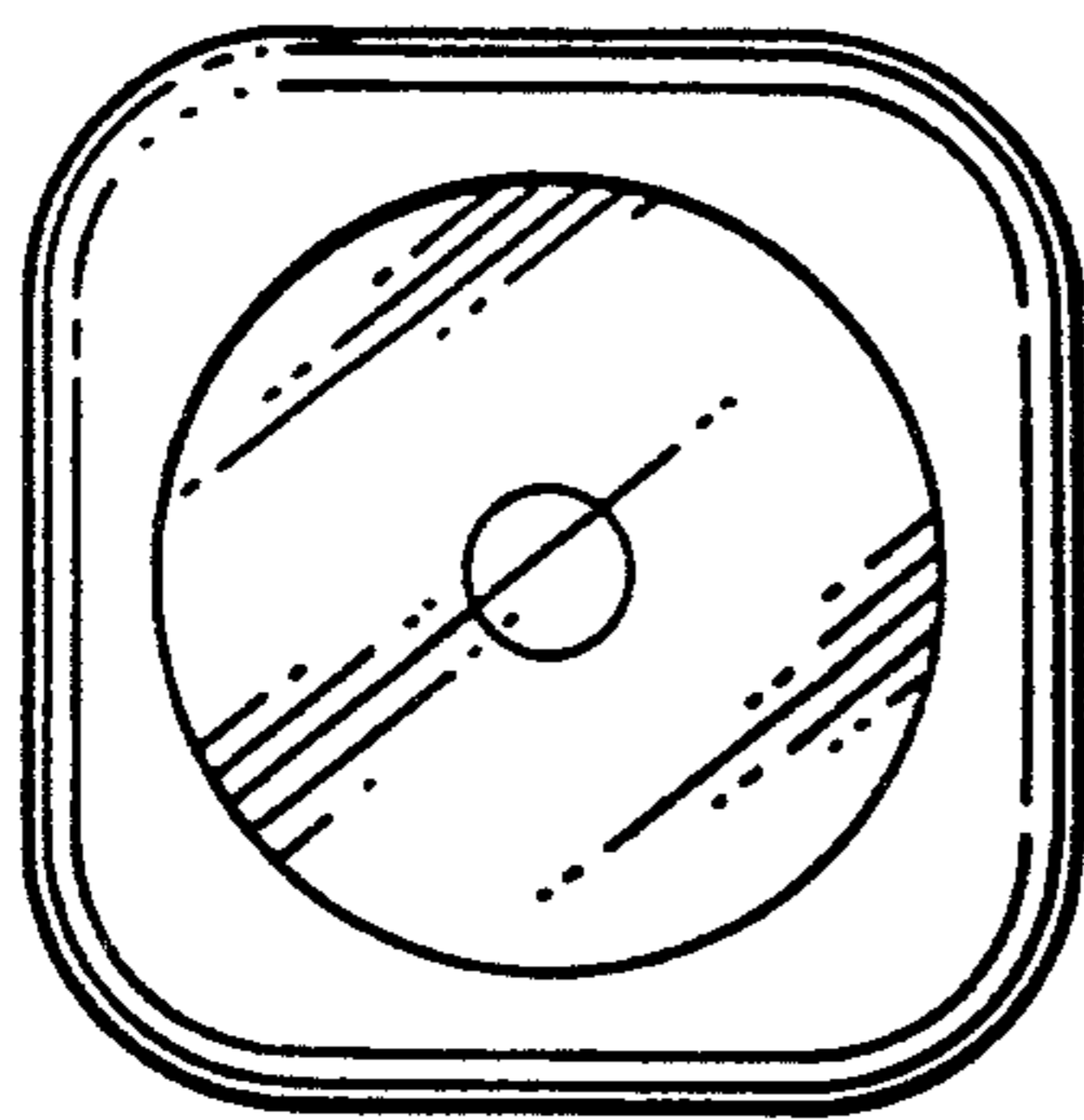


FIG.4.

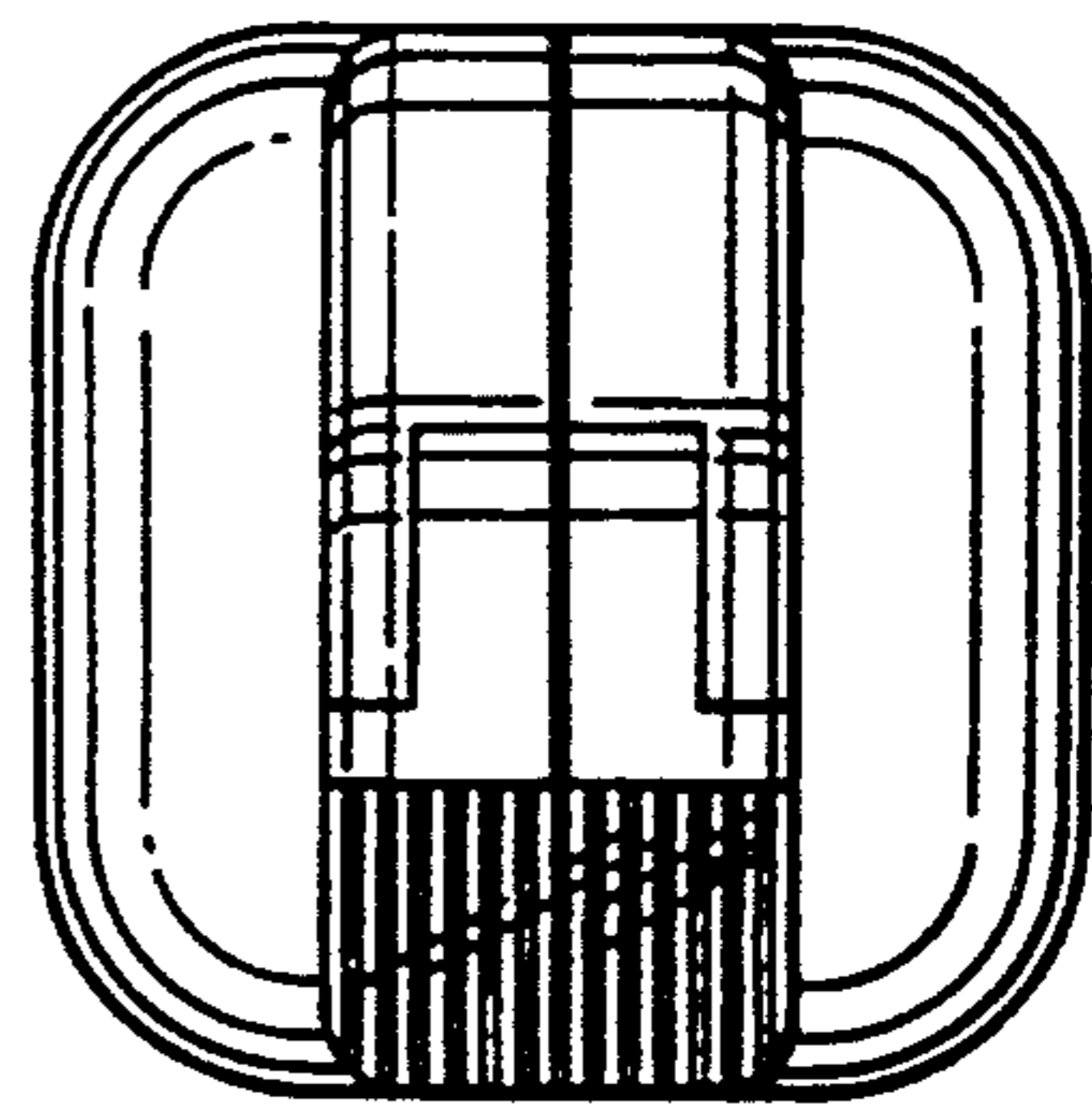


FIG.5.

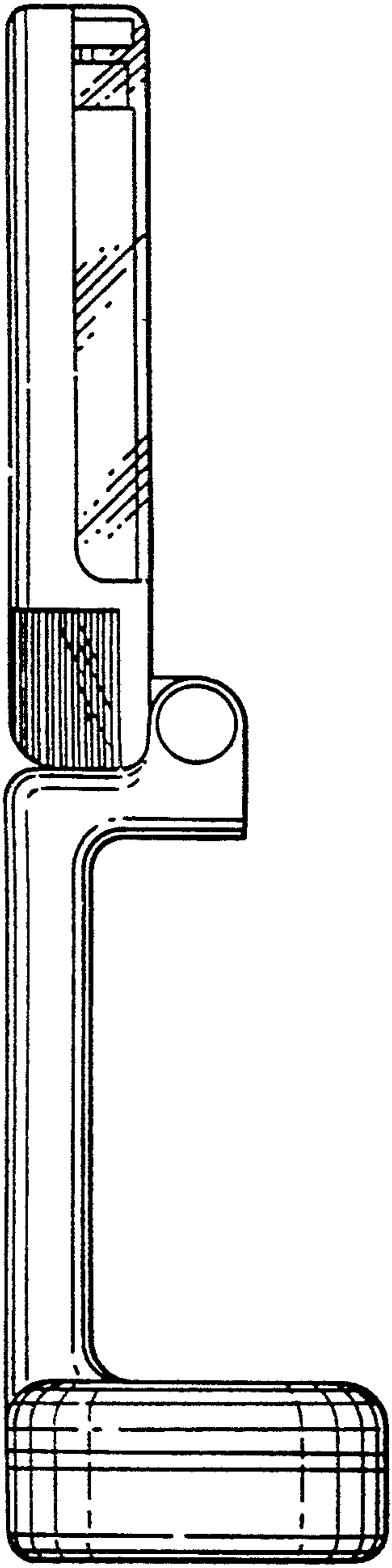


FIG. 6.

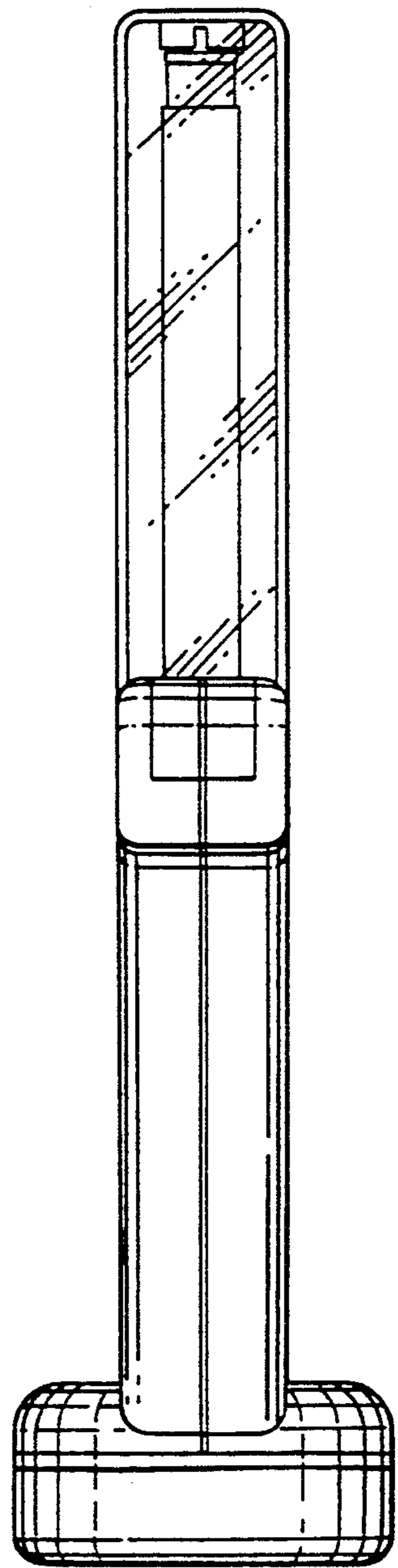


FIG. 7.