



US00D329500S

United States Patent [19]

[11] Patent Number: **Des. 329,500**

Arioka et al.

[45] Date of Patent: **** Sep. 15, 1992**

[54] **HEAT STERILIZER FOR MEDICAL TUBE JOINT**

D. 318,329 7/1991 Porteous D24/217 X
2,497,326 4/1947 Schipanski D24/217 X

[75] Inventors: **Tetsuya Arioka, Tokyo; Hiroshi Yokoyama, Yamanashi; Hidesato Kizaki, Tokyo, all of Japan**

Primary Examiner—Stella Reid
Assistant Examiner—I. Simmons
Attorney, Agent, or Firm—Frishauf, Holtz, Goodman & Woodward

[73] Assignee: **Terumo Kabushiki Kaisha, Tokyo, Japan**

[57] **CLAIM**

[**] Term: **14 Years**

The ornamental design for a heat sterilizer for medical tube joint, as shown and described.

[21] Appl. No.: **491,605**

DESCRIPTION

[22] Filed: **Mar. 9, 1990**

FIG. 1 is a top perspective view of a heat sterilizer for medical tube joint showing our new design;
FIG. 2 is a front elevational view thereof;
FIG. 3 is a rear elevational view thereof;
FIG. 4 is a left side elevational view thereof;
FIG. 5 is a right side elevational view thereof;
FIG. 6 is a top plan view thereof;
FIG. 7 is a bottom plan view thereof;
FIG. 8 is a cross-sectional view taken along line VIII—VIII of FIG. 2; and,
FIG. 9 is a cross-sectional view taken along the line IX—IX of FIG. 6.

[30] **Foreign Application Priority Data**

Sep. 14, 1989 [JP] Japan 1-33503

[52] U.S. Cl. **D24/217**

[58] Field of Search D24/217; 422/120, 40, 422/26, 220, 292, 307

[56] **References Cited**

U.S. PATENT DOCUMENTS

D. 167,031 6/1952 Gallagher D24/217

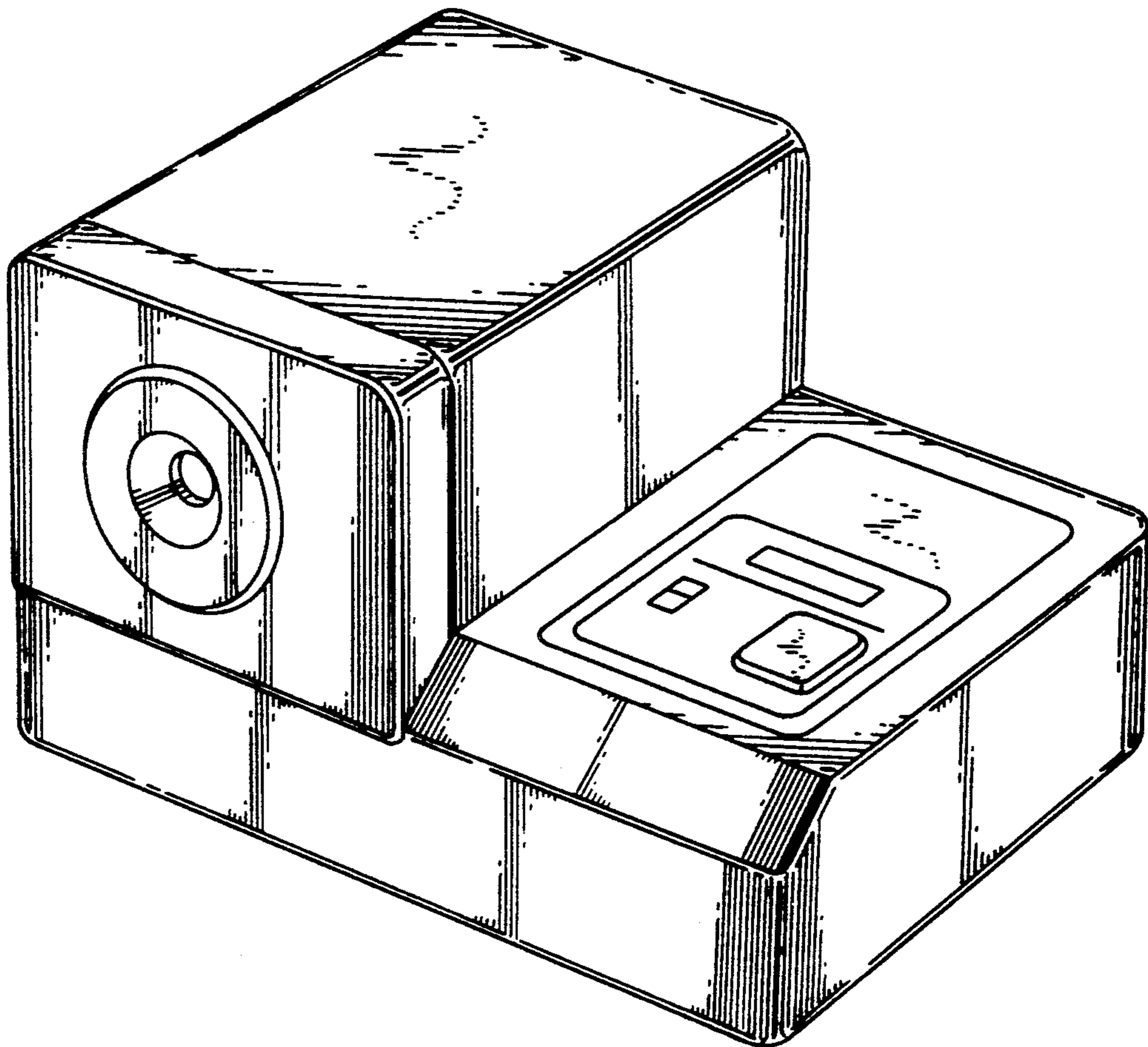


FIG. 1

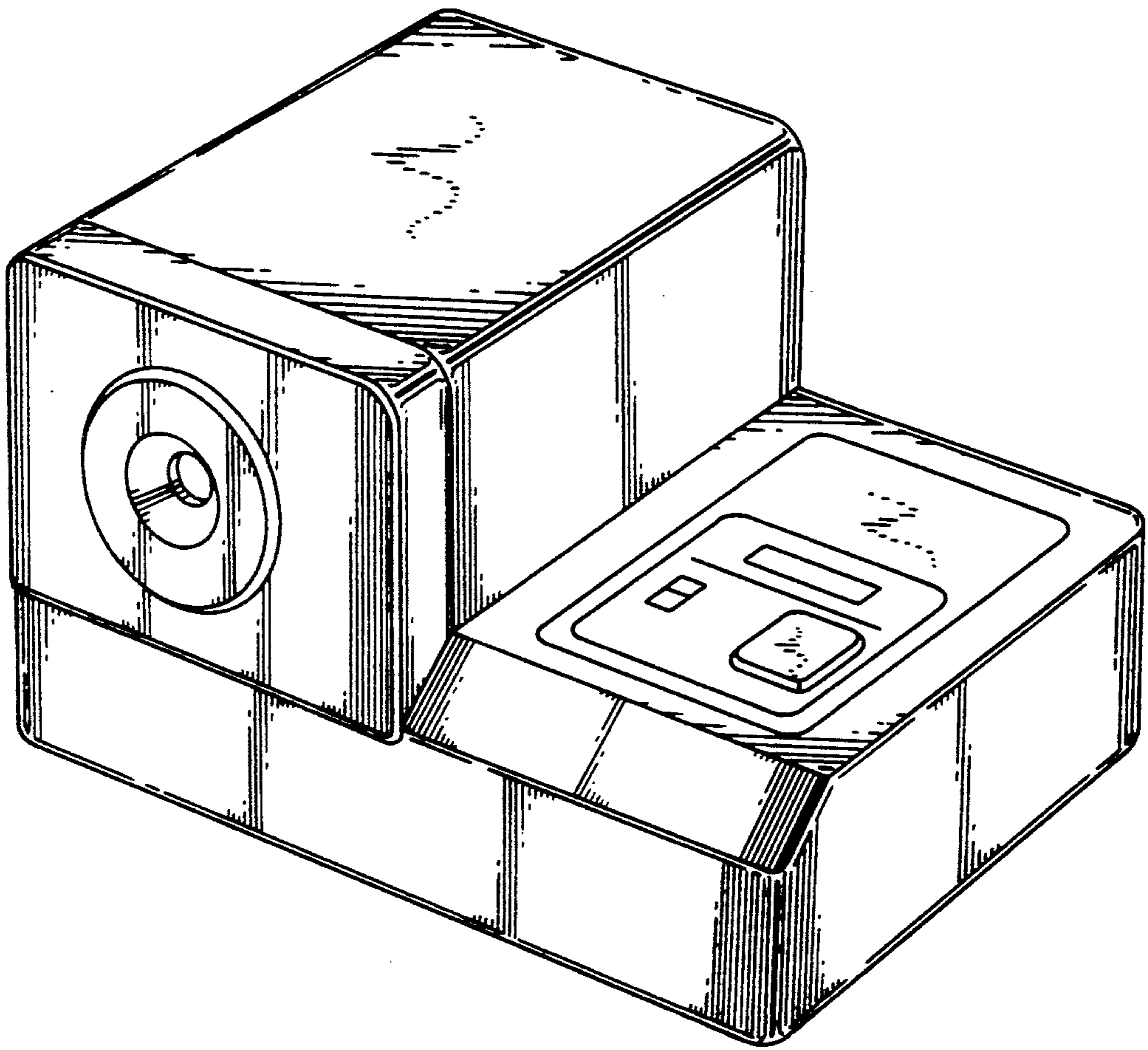


FIG.2

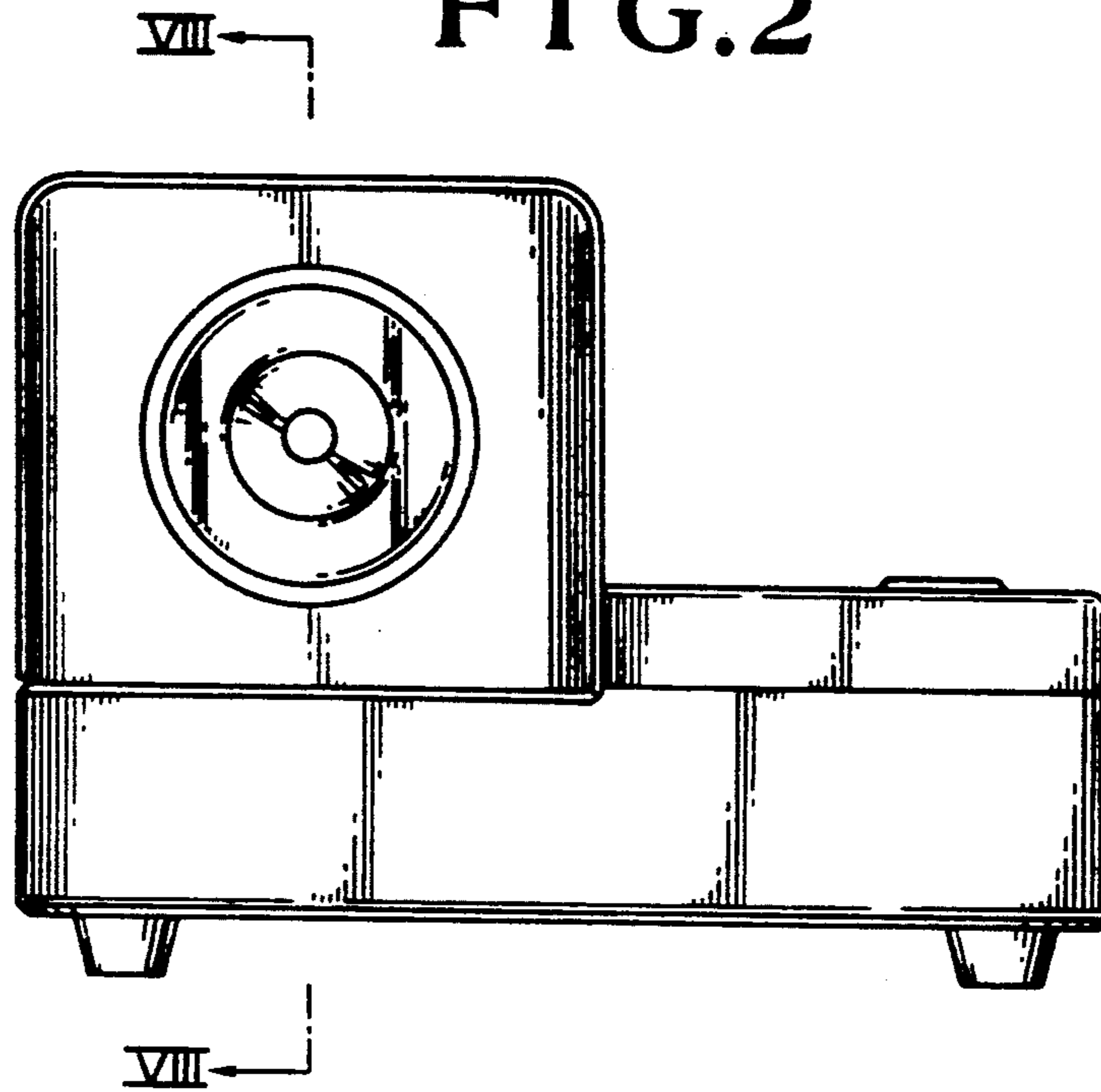


FIG.3

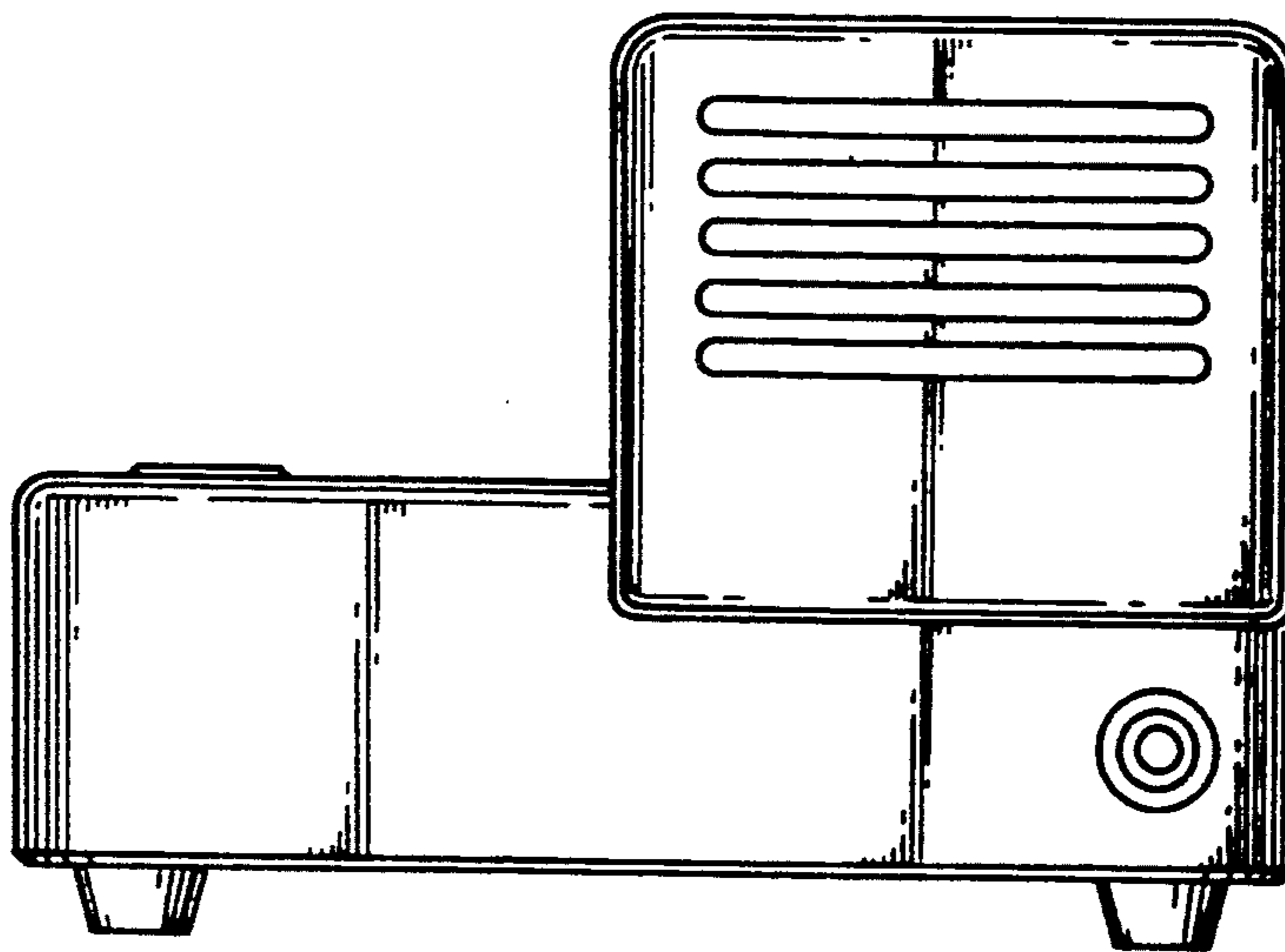


FIG.4

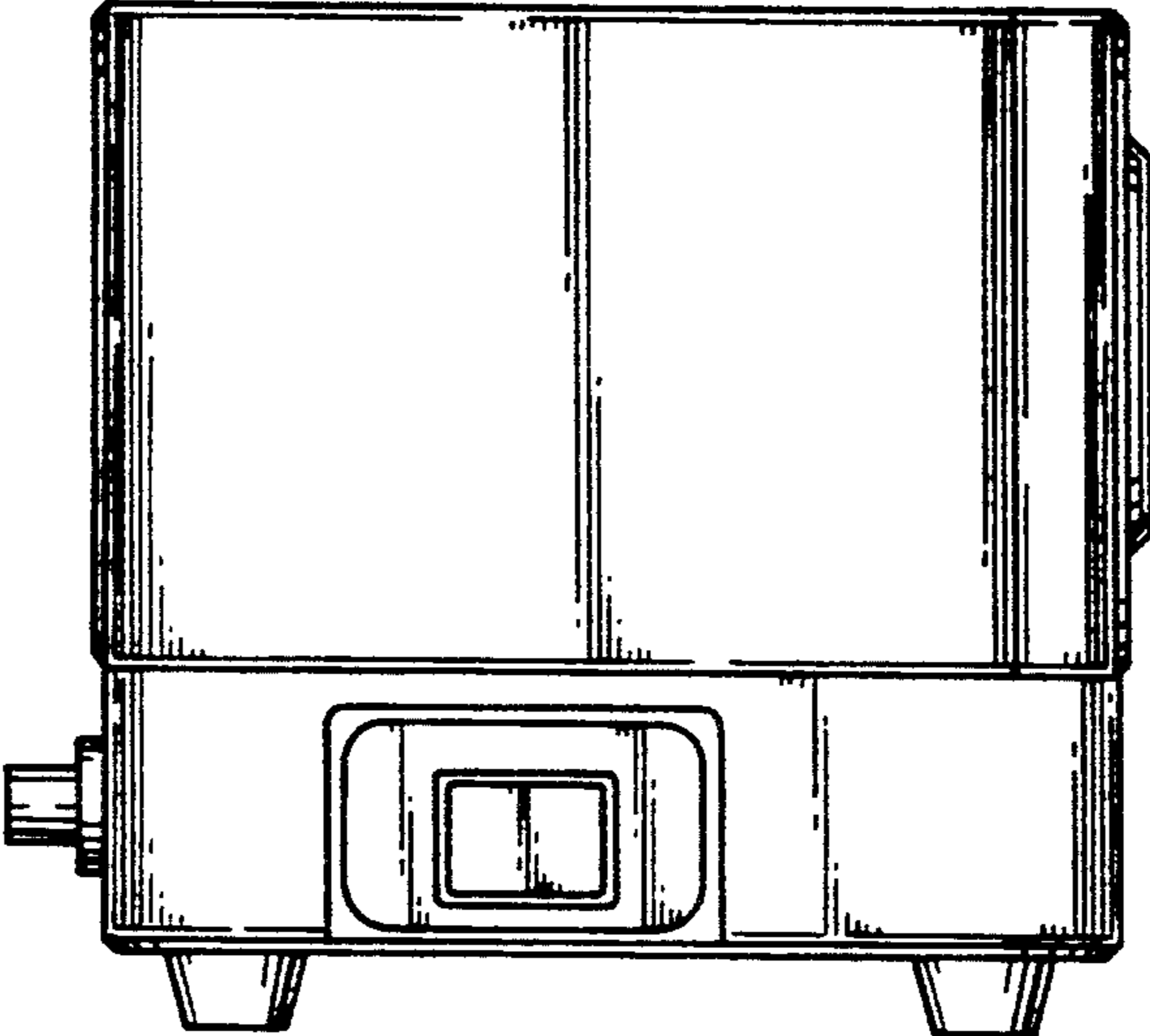


FIG.5

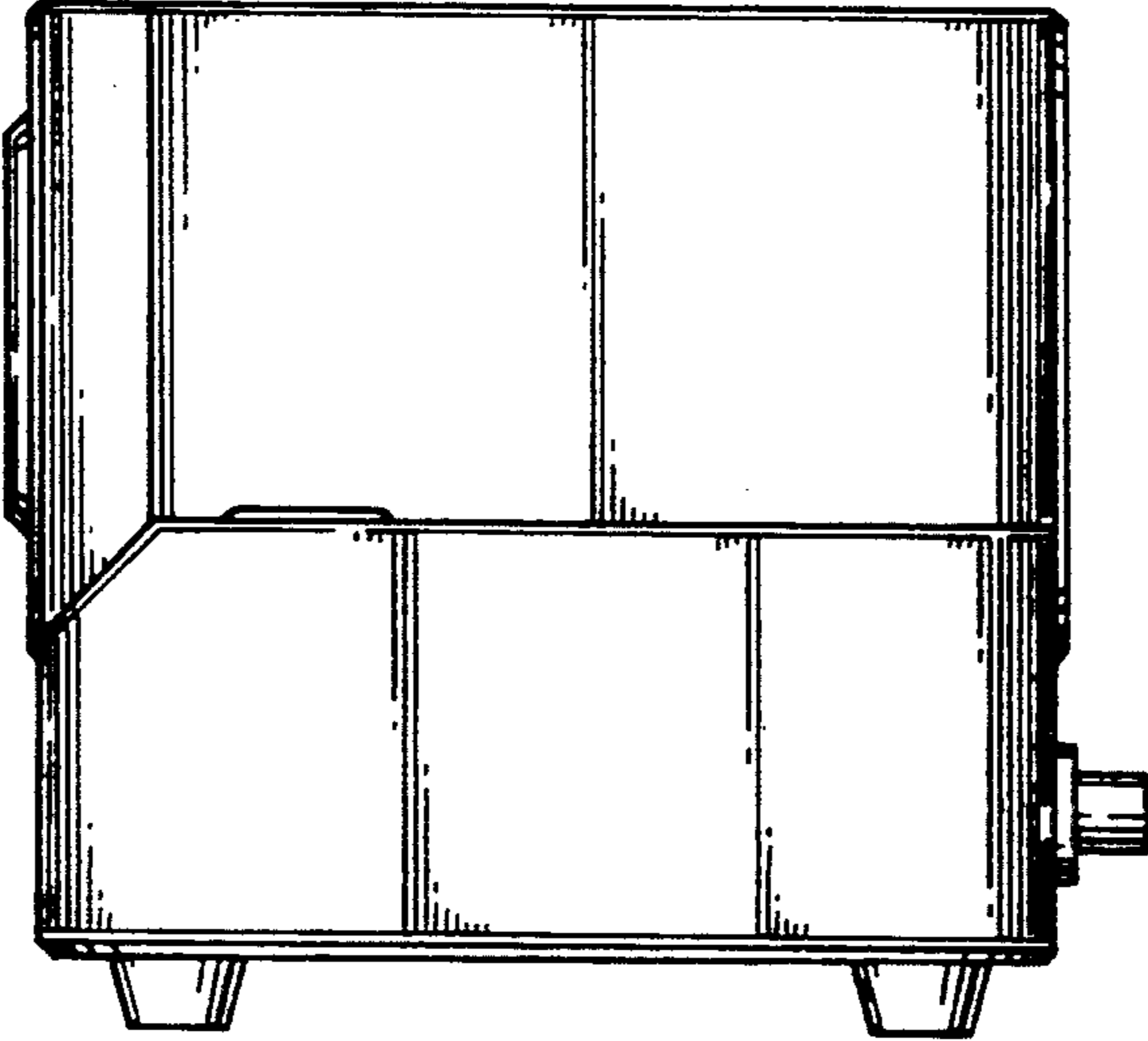


FIG.6

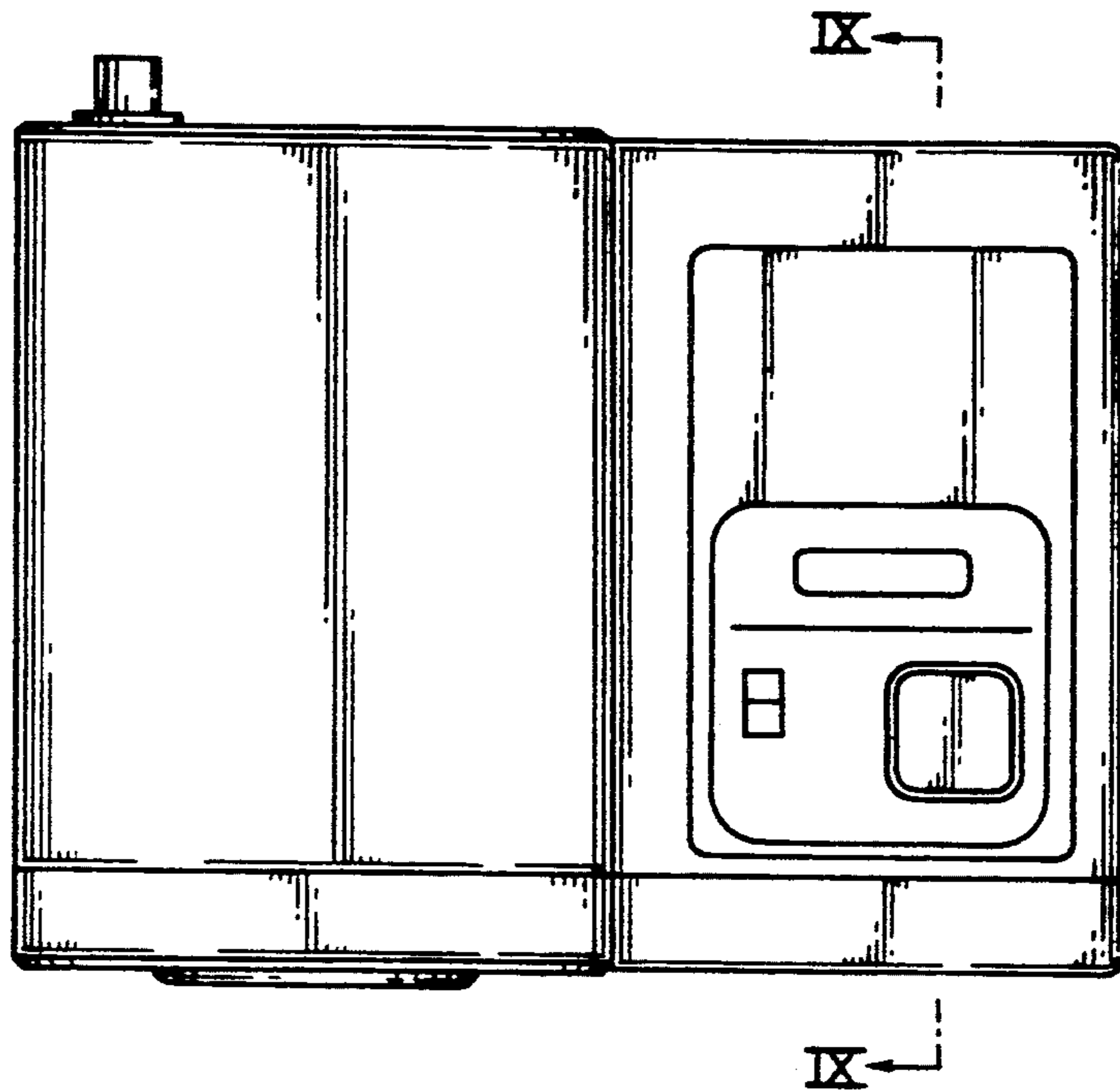


FIG.7

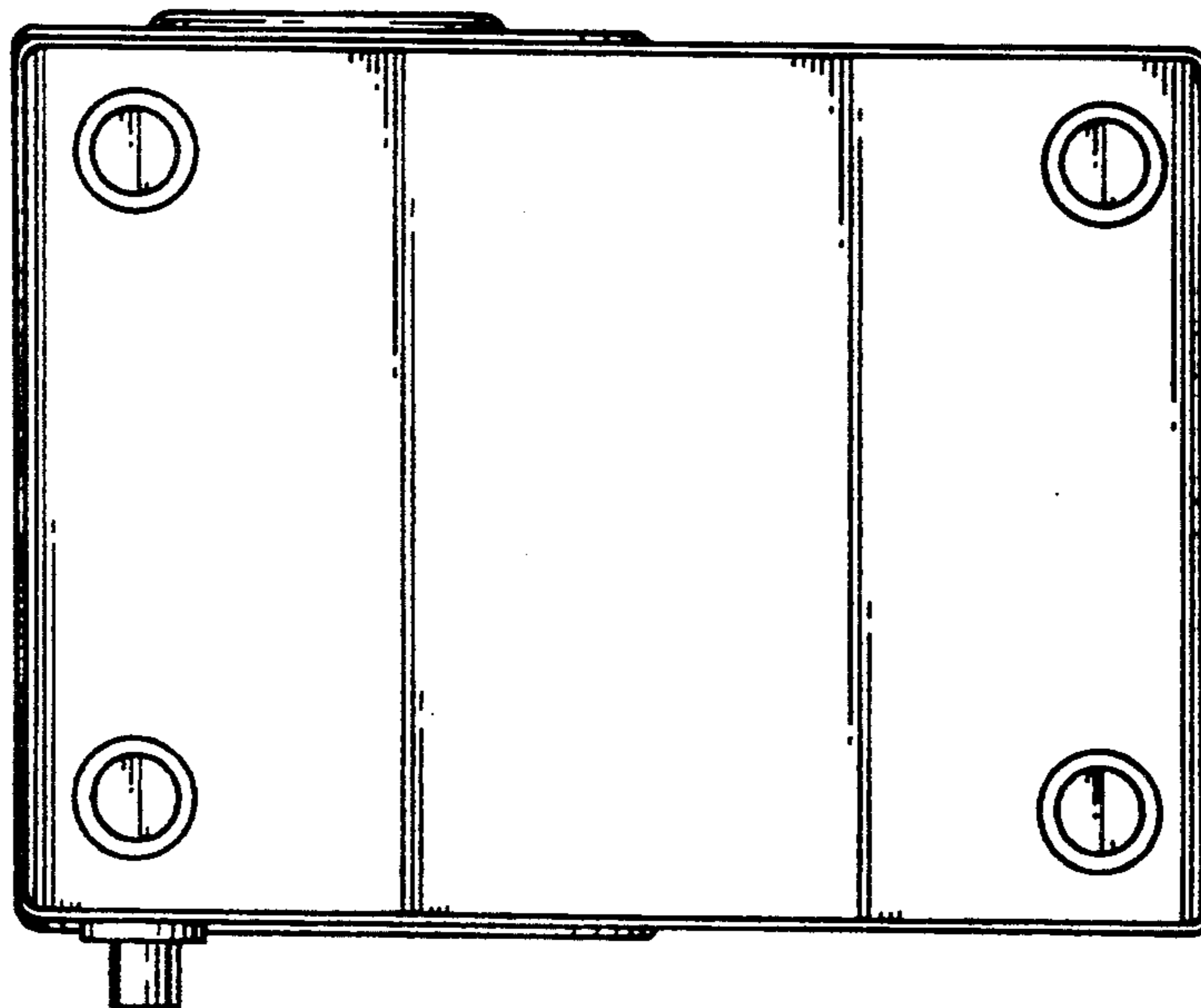


FIG. 8

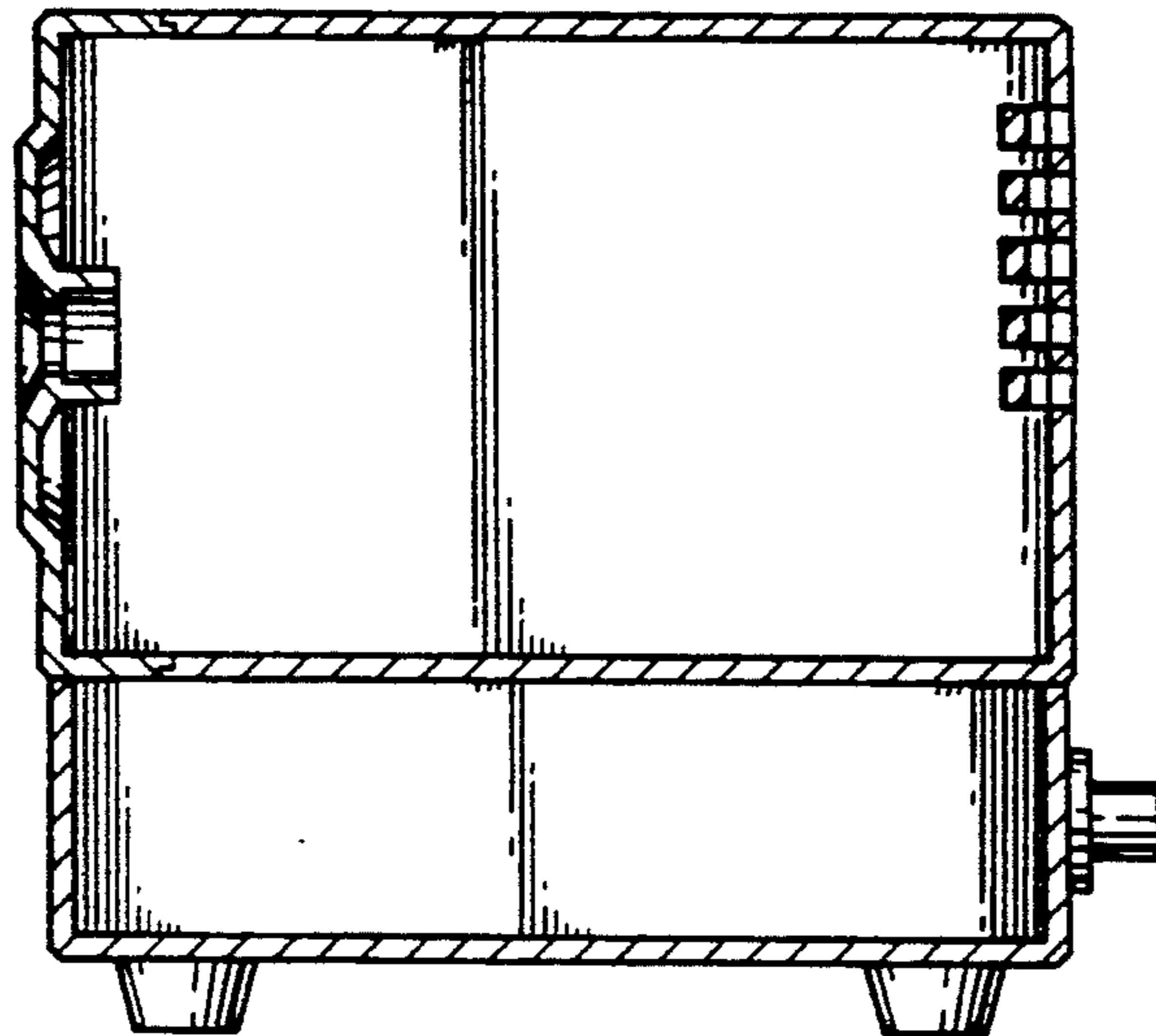


FIG. 9

