



US00D329499S

United States Patent [19]

[11] Patent Number: **Des. 329,499**

Ohashi

[45] Date of Patent: **** Sep. 15, 1992**

[54] **ELECTRIC FOOT MASSAGER**

3,789,836 2/1974 Girten 128/25 B
3,830,232 8/1974 McNair 128/25 B X

[75] Inventor: **Keiichi Ohashi, Shizuoka, Japan**

[73] Assignee: **Skylite Industry Co., Ltd., Shizuoka, Japan**

Primary Examiner—Stella Reid
Attorney, Agent, or Firm—Wegner, Cantor, Mueller & Player

[**] Term: **14 Years**

[57] **CLAIM**

[21] Appl. No.: **540,803**

The ornamental design for an electric foot massager, as shown and described.

[22] Filed: **Jun. 20, 1990**

[52] U.S. Cl. **D24/213**

[58] Field of Search **D24/200, 215, 213;**
128/25 B, 32-36, 41, 45, 46

DESCRIPTION

FIG. 1 is a perspective view of an electric foot massager showing my new design;
FIG. 2 is a front elevational view thereof;
FIG. 3 is a top plan view thereof;
FIG. 4 is a left side elevational view thereof;
FIG. 5 is a right side elevational view thereof;
FIG. 6 is a rear elevational view thereof; and,
FIG. 7 is a bottom plan view thereof.

[56] **References Cited**

U.S. PATENT DOCUMENTS

D. 231,804 6/1974 McNair D24/213
D. 234,828 4/1975 McNair D24/213
2,742,037 4/1956 Svoren 128/25 B

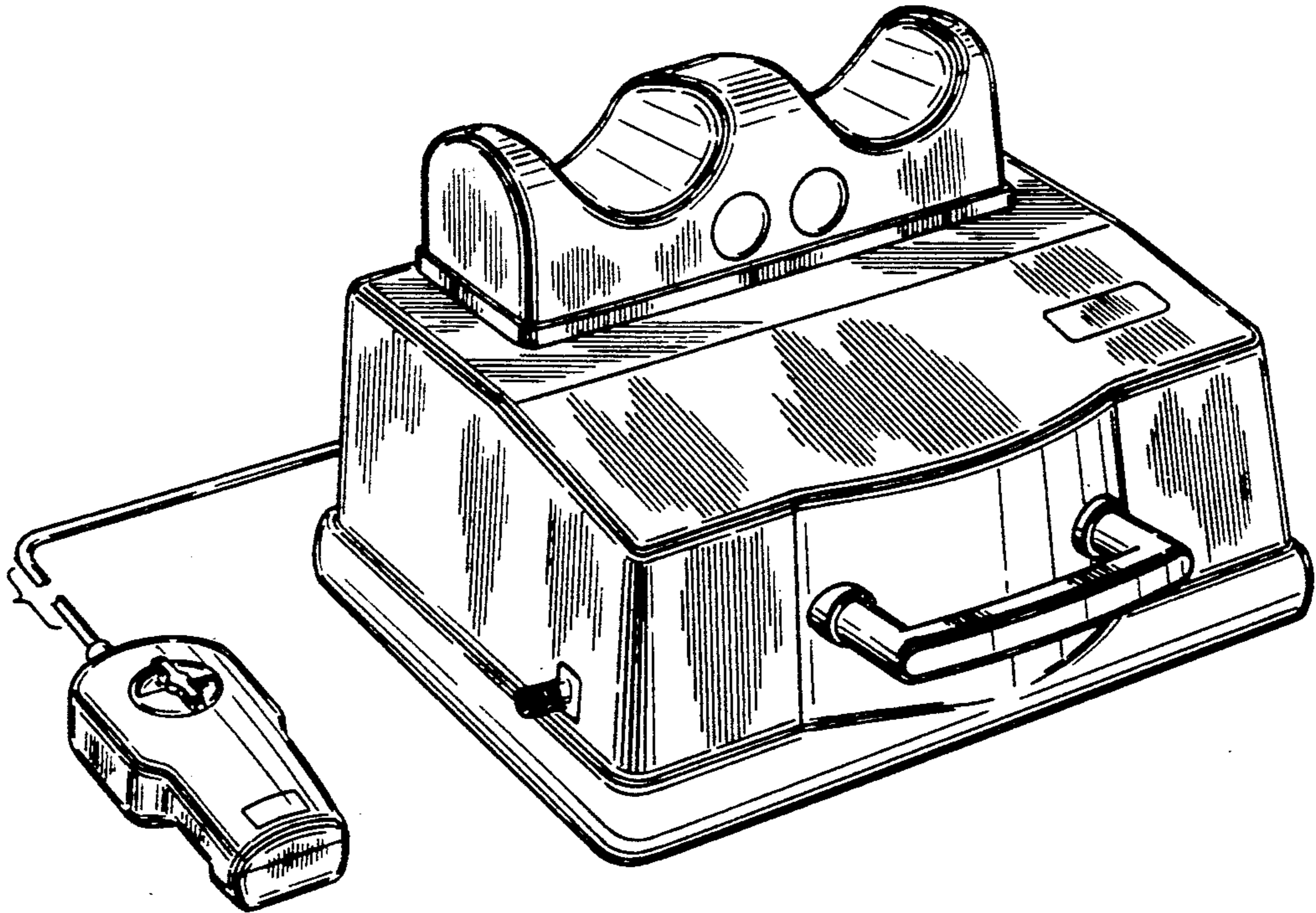


FIG. 1

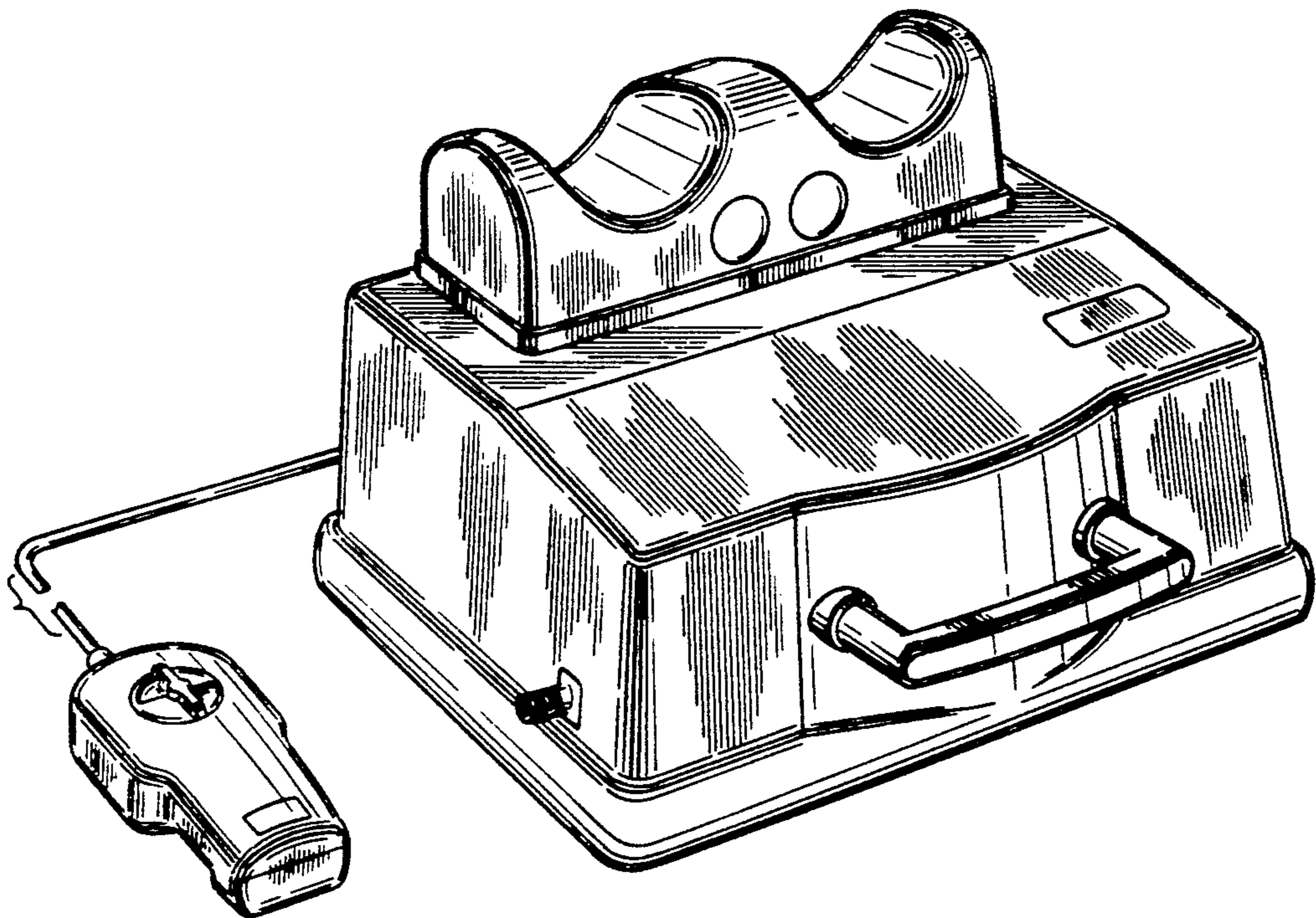


FIG. 2

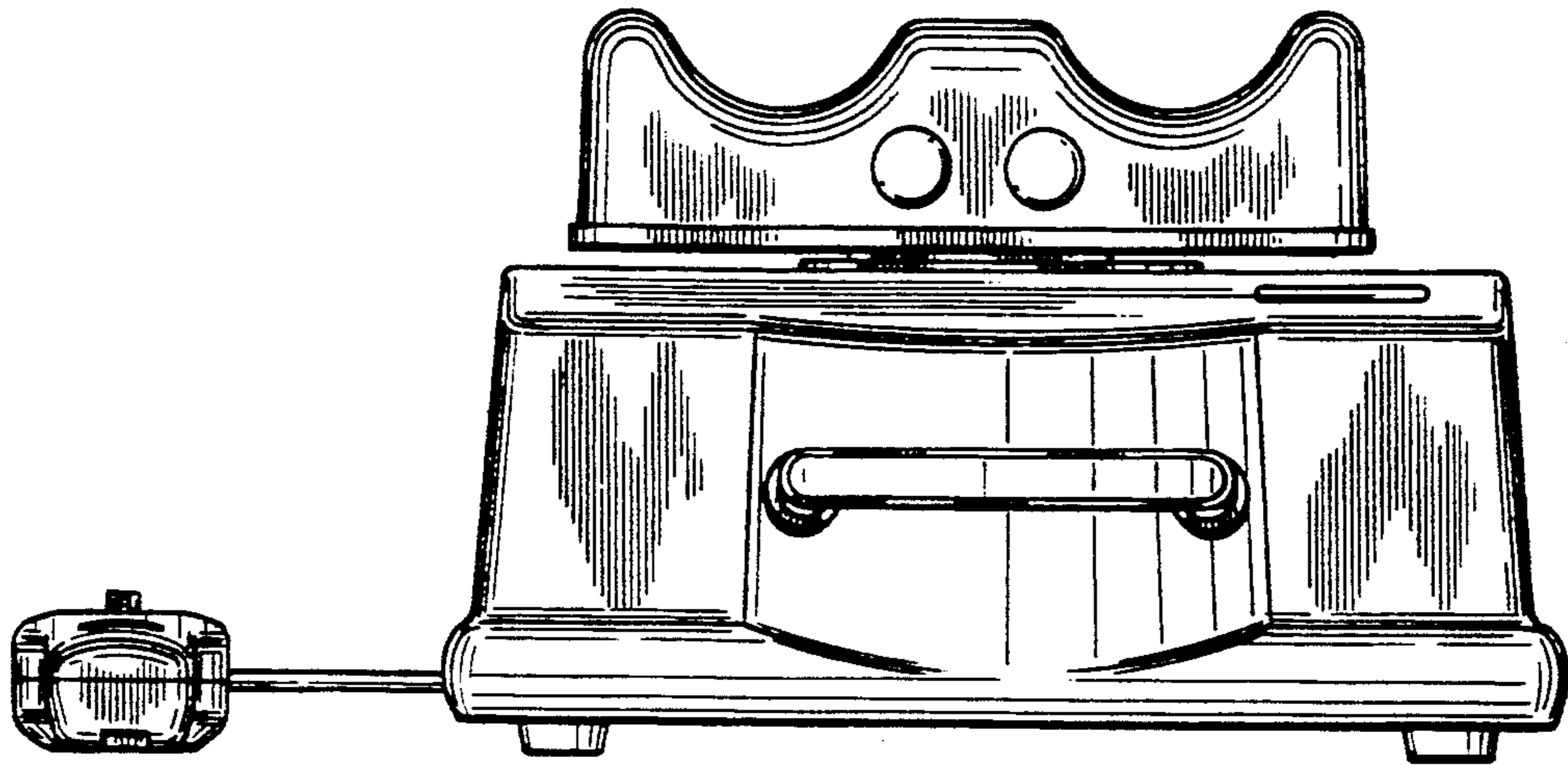


FIG. 3

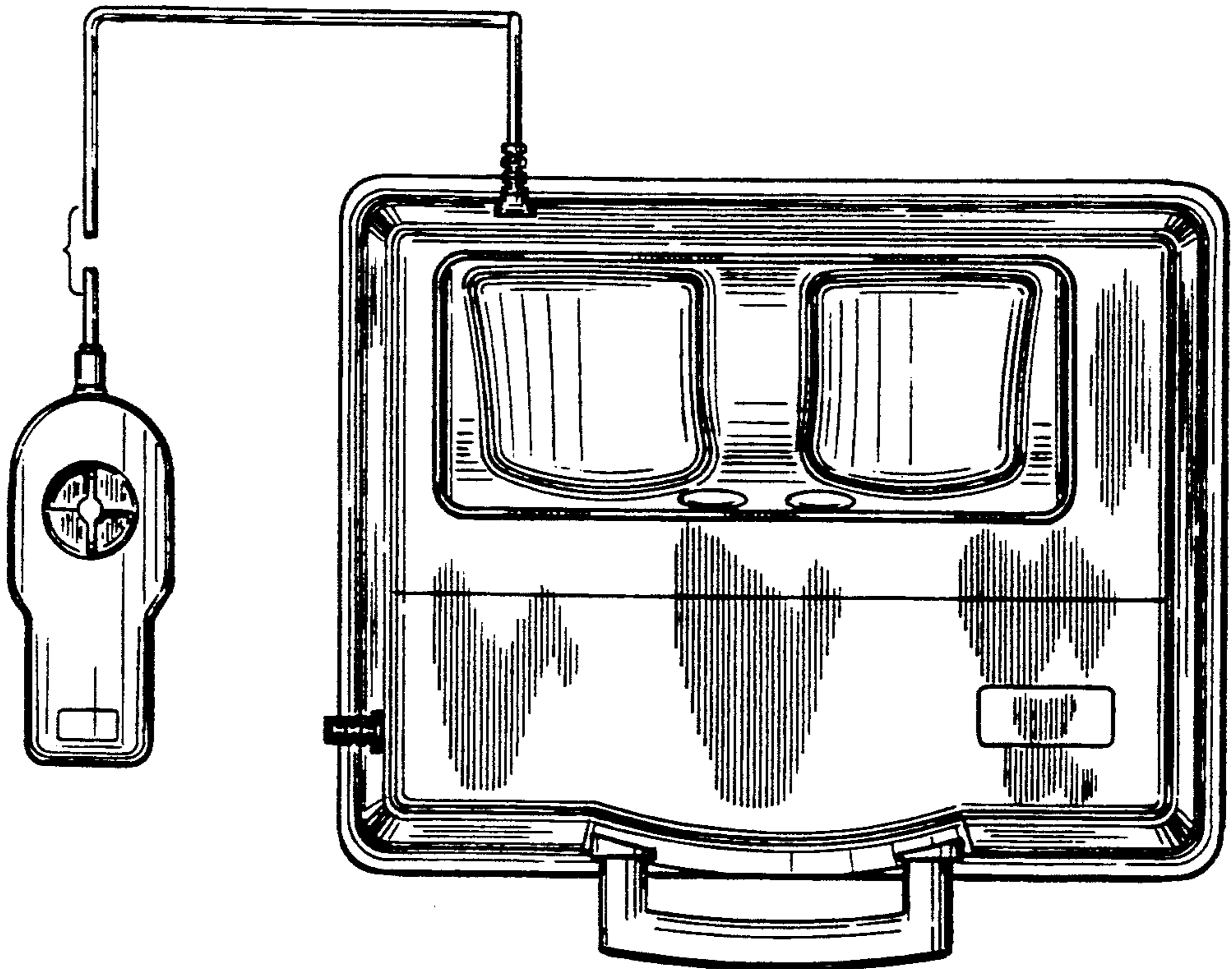


FIG. 4

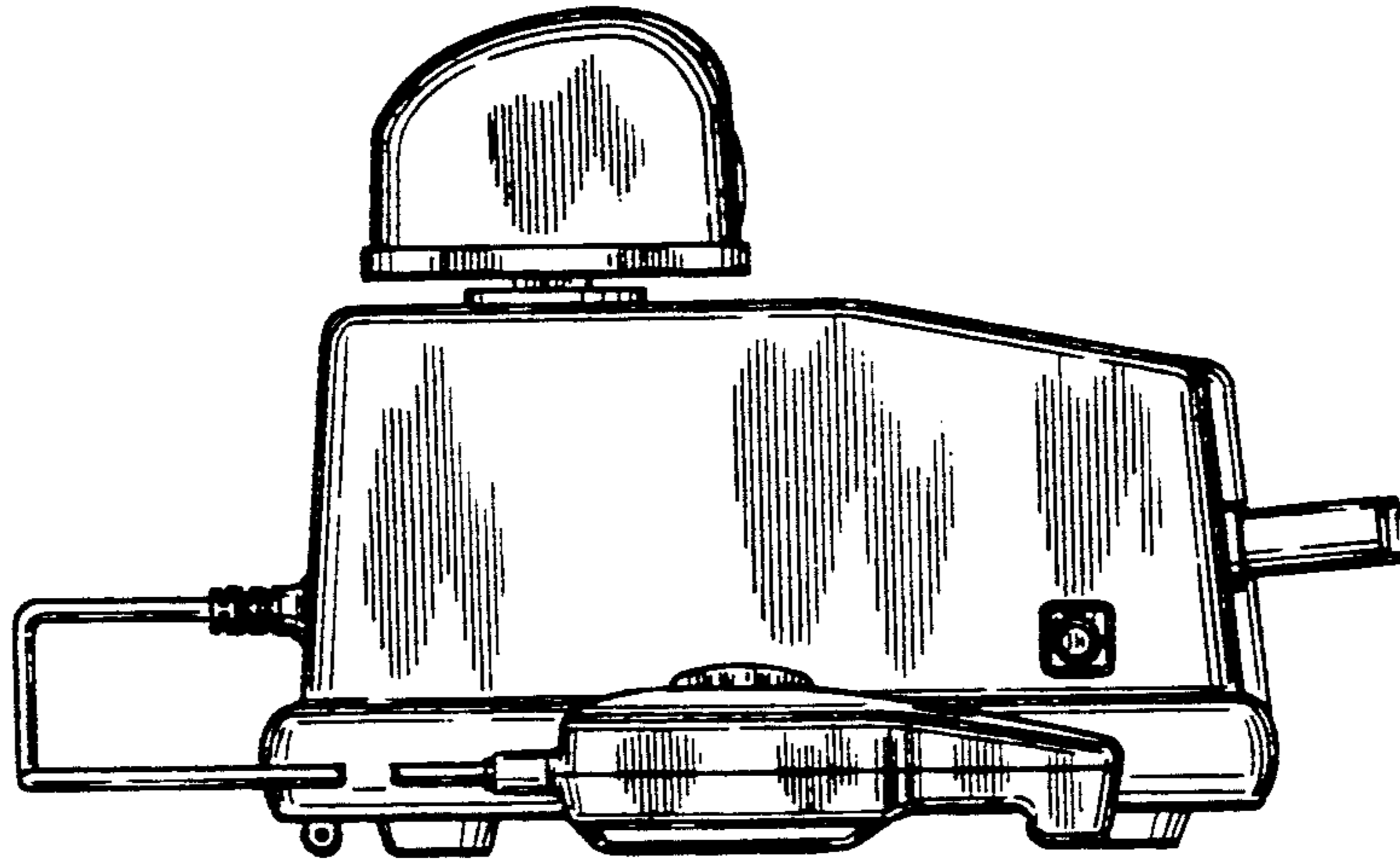


FIG. 5

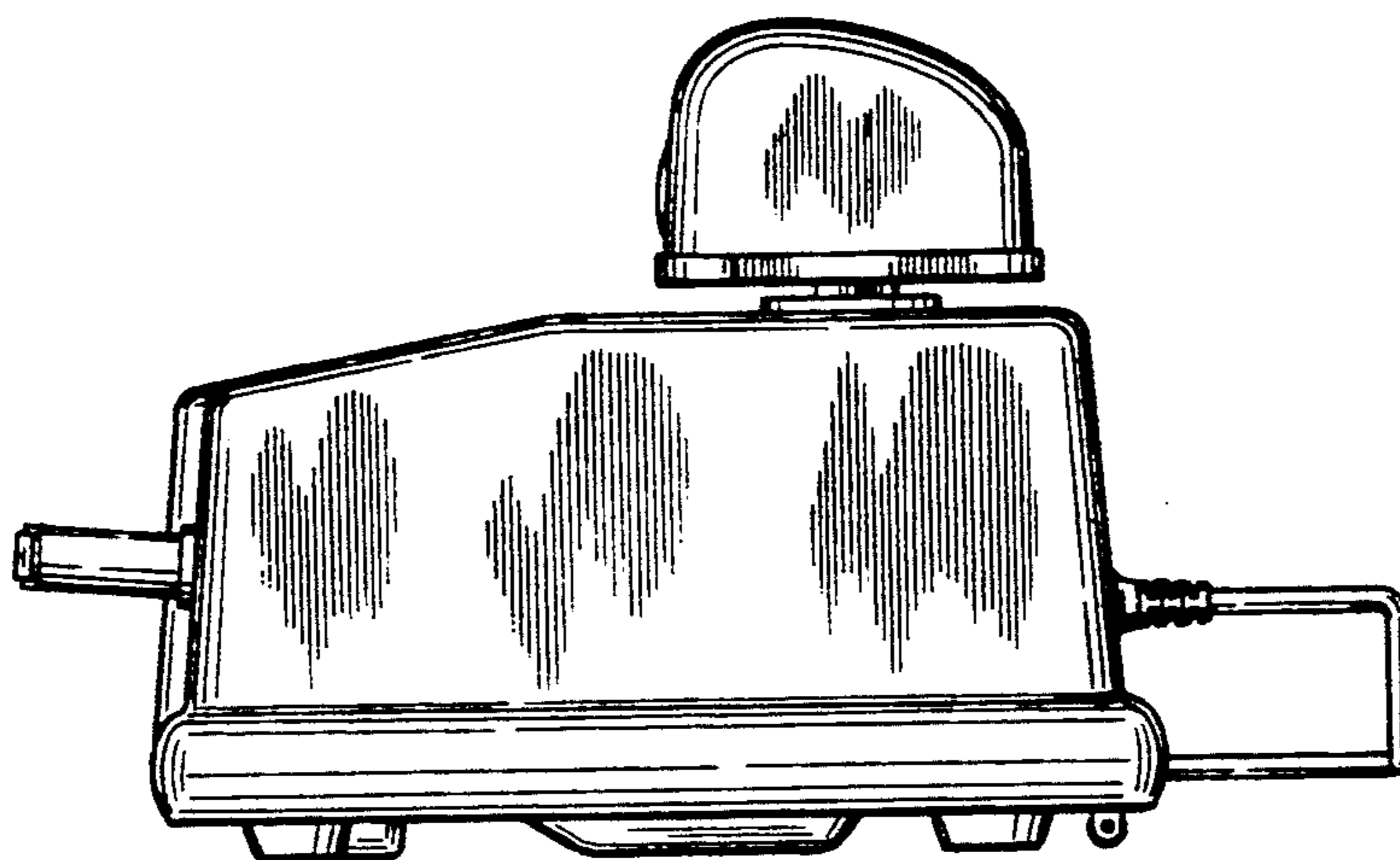


FIG. 6

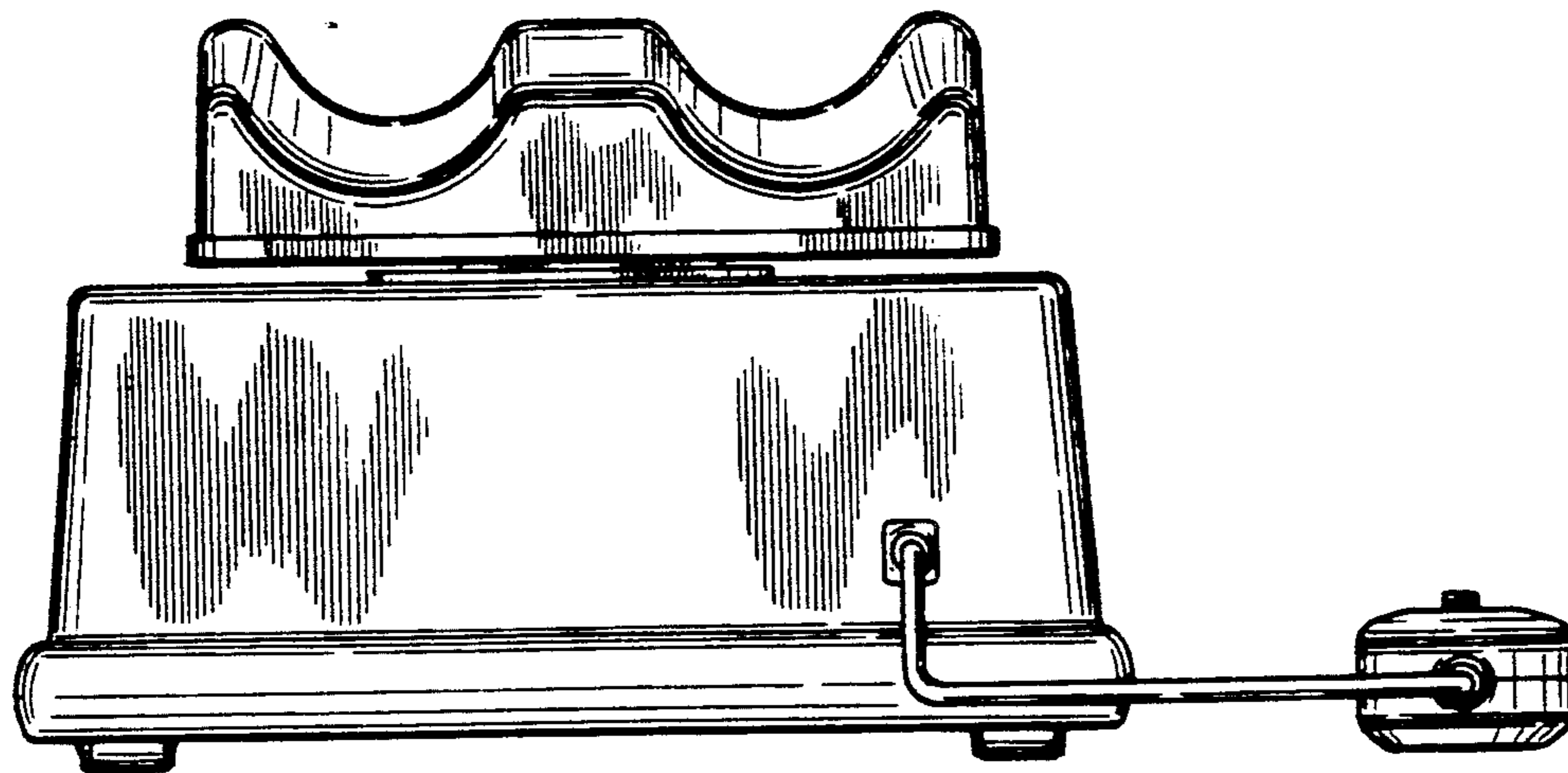


FIG. 7

