



US00D329496S

United States Patent [19]

[11] Patent Number: **Des. 329,496**

Wotton

[45] Date of Patent: **** Sep. 15, 1992**

[54] **NEEDLE DEPTH GAUGE**

[75] Inventor: **Geoffrey Wotton, Goleta, Calif.**

[73] Assignee: **Celia Clarke, Goleta, Calif.**

[**] Term: **14 Years**

[21] Appl. No.: **482,661**

[22] Filed: **Feb. 20, 1990**

[52] U.S. Cl. **D24/140**

[58] Field of Search **D24/113, 128, 130, 133, D24/140, 143, 146, 147, 150, 187, 189, 199, 200, 216, 219, 224, 227, 229; 128/419 P, 660.1, 660.5, 662.03, 749, 752, 758, 784, 785; 206/365; 604/107, 111, 119, 187, 192, 210, 232, 263, 403, 407; 606/107, 119, 128, 130, 157, 158, 176, 205, 206, 207**

2,739,589 3/1956 Yochem 604/210
2,739,590 3/1956 Yochem 604/210
3,139,298 6/1964 Gabriel D24/150
4,702,738 10/1987 Spencer 604/263

Primary Examiner—A. Hugo Word
Assistant Examiner—Celia A. Murphy
Attorney, Agent, or Firm—Hawes & Fischer

[57] CLAIM

The ornamental design for a needle depth gauge, as shown and described.

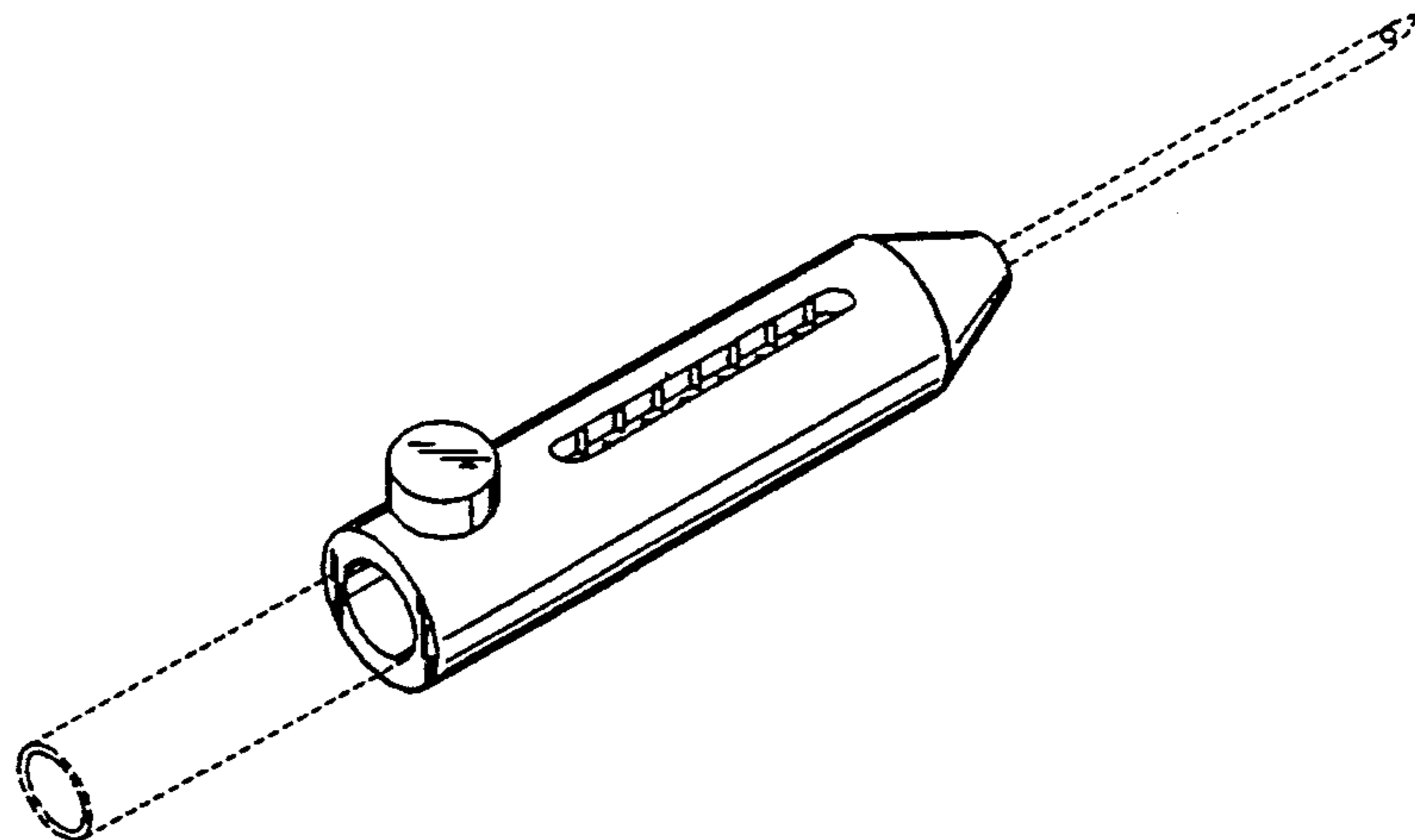
DESCRIPTION

FIG. 1 is a perspective view of a needle depth gauge showing my new design;
FIG. 2 is a top plan view thereof;
FIG. 3 is a left side elevational view thereof, the right side being a mirror image;
FIG. 4 is a bottom plan view thereof;
FIG. 5 is an enlarged front elevational view thereof; and,
FIG. 6 is a rear elevational view of FIG. 5.
The broken line showing of a needle in FIGS. 1 through 4 is for illustrative purposes only and forms no part of the claimed design.

[56] References Cited

U.S. PATENT DOCUMENTS

D. 248,490	7/1978	Reiss	D24/130
D. 297,458	8/1988	Holewinski	D24/113
679,198	7/1901	Witkowski	604/232
1,569,457	1/1926	Carstens	604/210
2,541,621	2/1951	Thompson	604/187



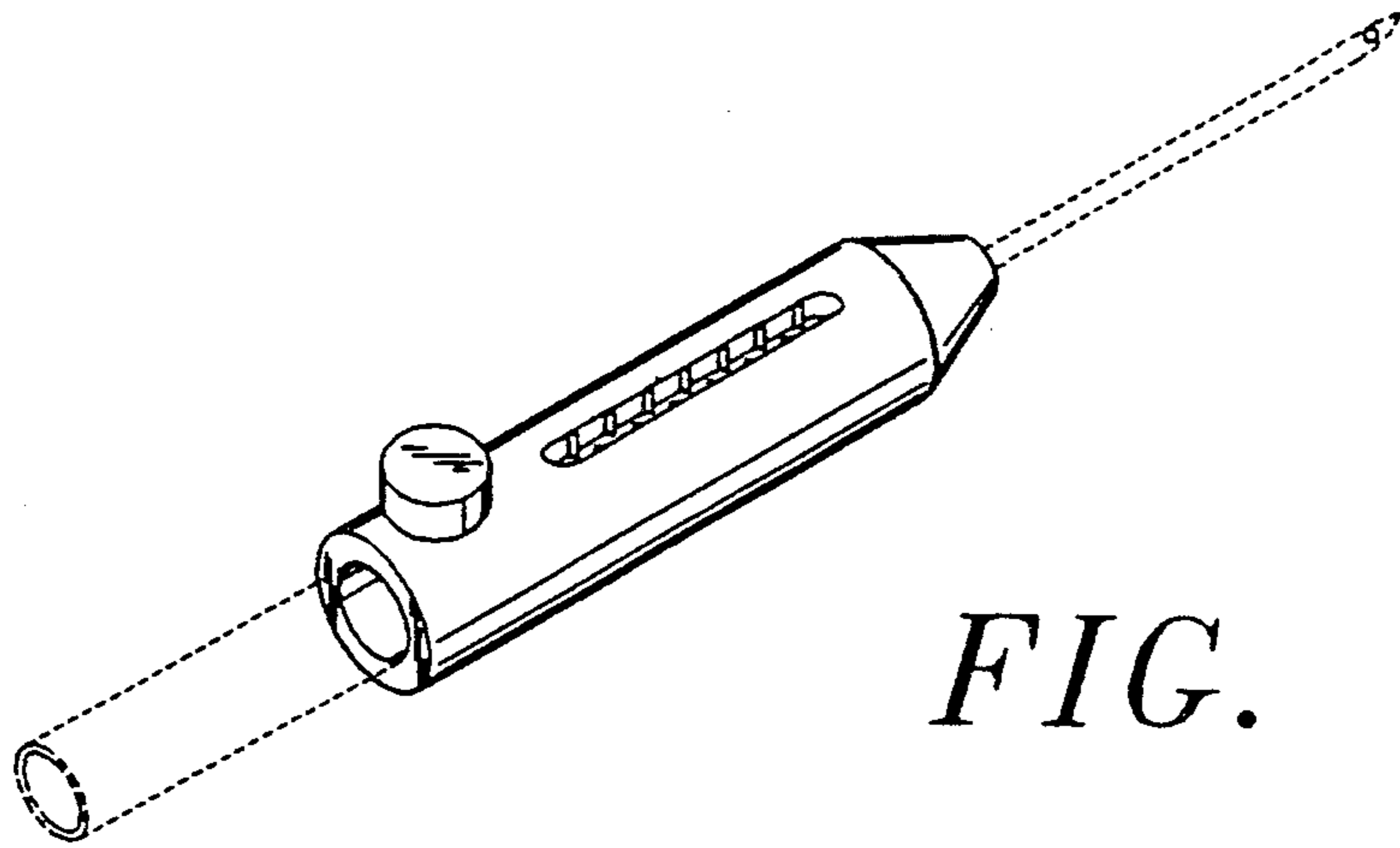


FIG. 1

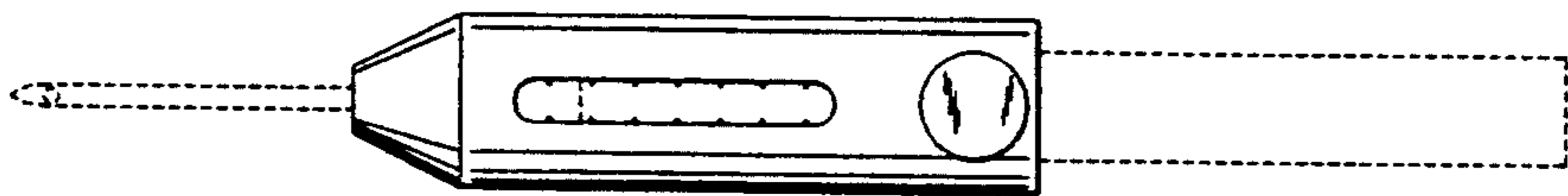


FIG. 2

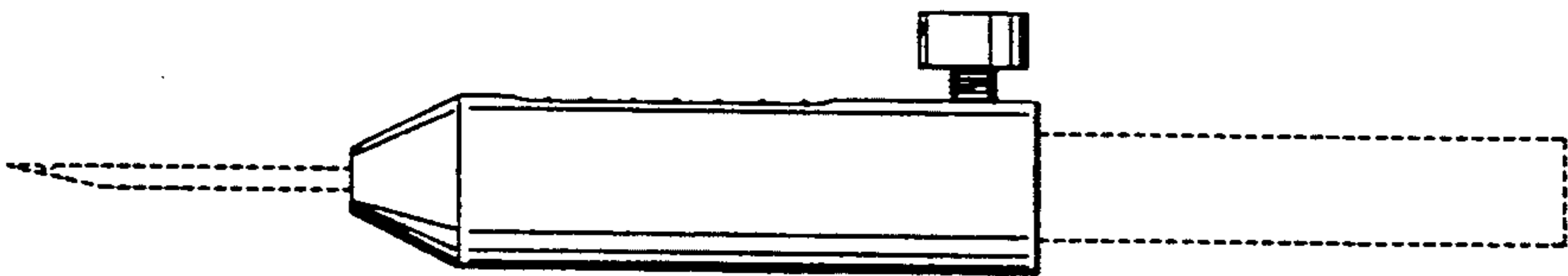


FIG. 3

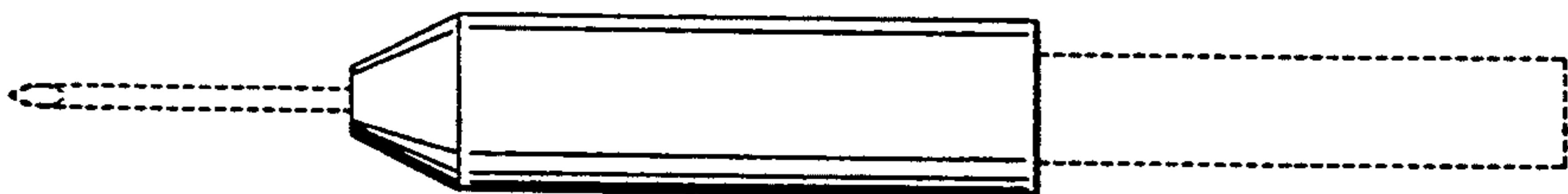


FIG. 4

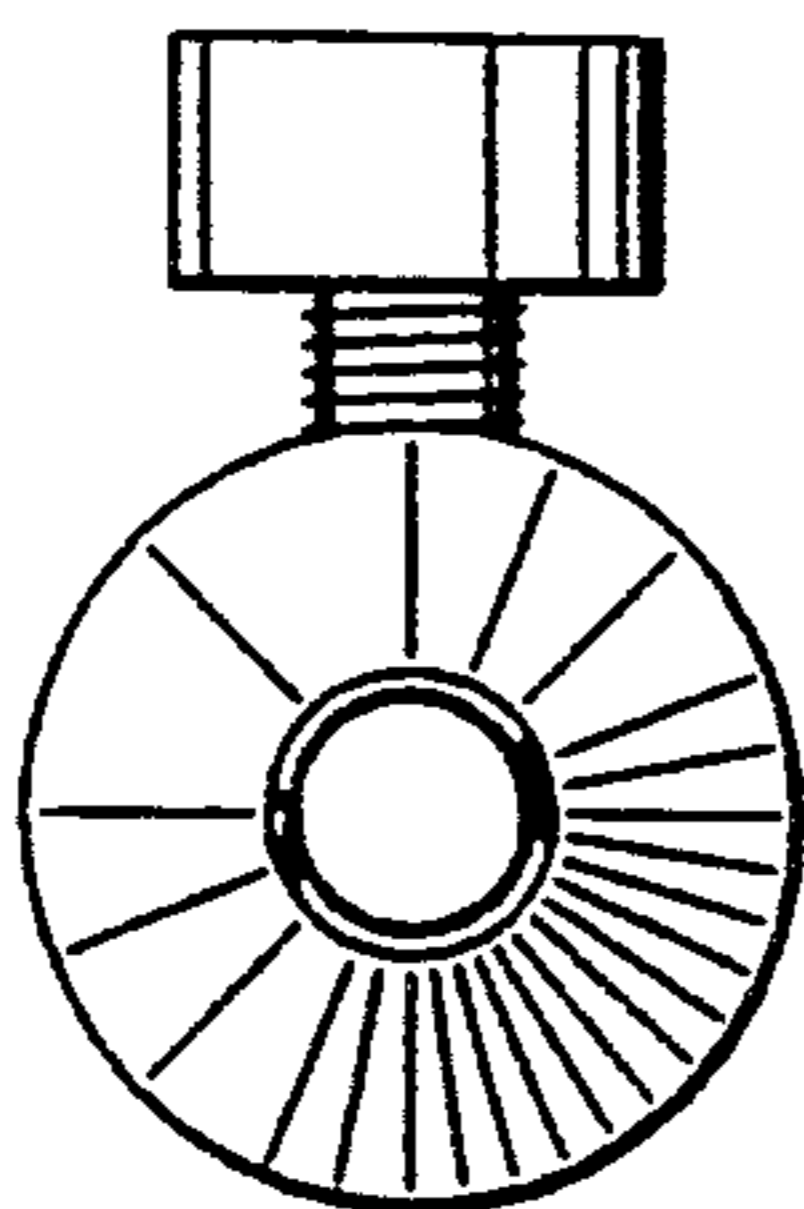


FIG. 5

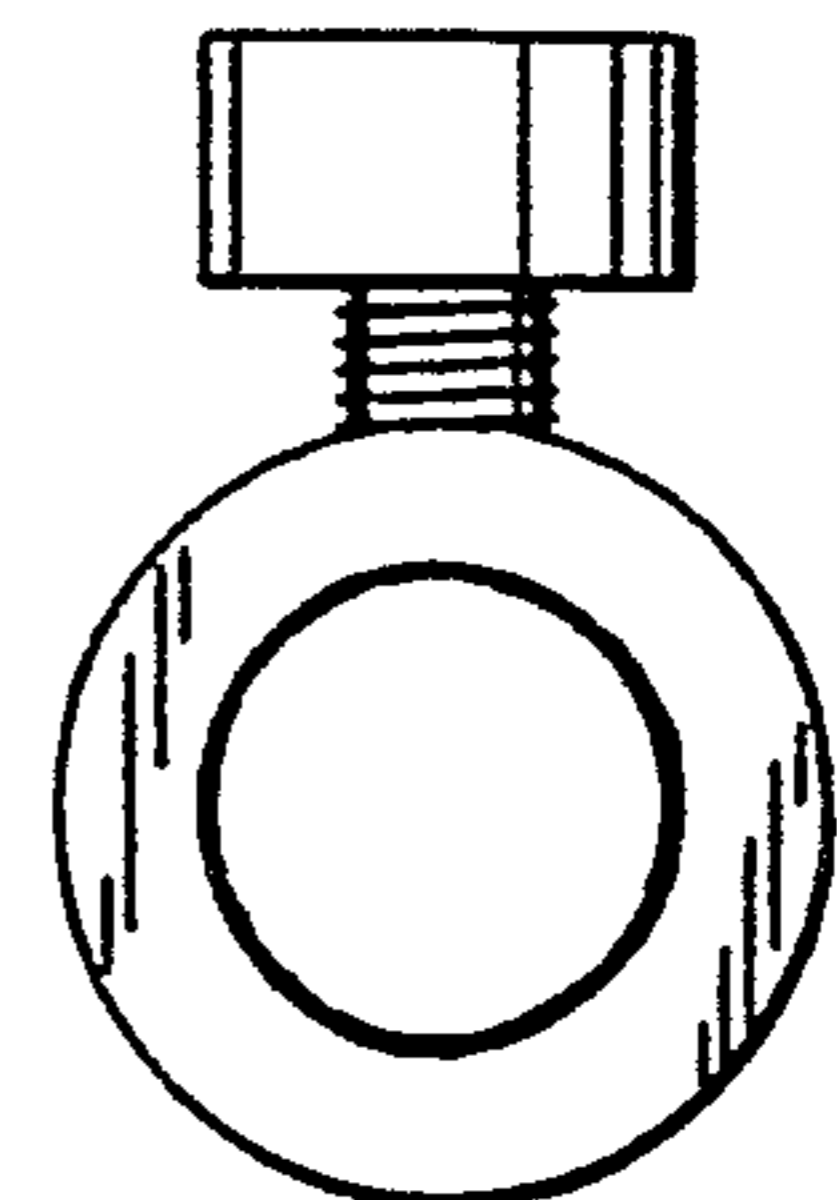


FIG. 6