



US00D329495S

United States Patent [19]

Kotake

[11] **Patent Number: Des. 329,495**

[45] **Date of Patent: ** Sep. 15, 1992**

[54] **COUPLING FOR A MEDICAL AGENT TANK**

[75] **Inventor: Naoyuki Kotake, Tokyo, Japan**

[73] **Assignee: Nitto Kohki Co., Ltd., Tokyo, Japan**

[**] **Term: 14 Years**

[21] **Appl. No.: 547,156**

[22] **Filed: Jul. 3, 1990**

[30] **Foreign Application Priority Data**

Jan. 10, 1990 [JP] Japan 2-159

[52] **U.S. Cl. D24/129**

[58] **Field of Search D23/262, 263; D24/129, D24/111; 251/144; 604/23, 32, 33**

[56] **References Cited**

U.S. PATENT DOCUMENTS

D. 282,772 2/1986 Fleury D23/263

2,524,052 10/1950 Grant, Jr. 251/144

2,530,433 11/1950 Jaegle 251/144

3,052,256 9/1962 Smirles 251/144

4,119,295 10/1978 Blocker 251/144

4,697,611 10/1987 Winland et al. 251/144

4,703,775 11/1987 Pastrone 604/33

Primary Examiner—Bernard Ansher

Assistant Examiner—Philip Hyder

Attorney, Agent, or Firm—Wenderoth, Lind & Ponack

[57] **CLAIM**

The ornamental design for a coupling for a medical agent tank, as shown.

DESCRIPTION

FIG. 1 is a perspective view of a coupling for a medical agent tank showing my design;

FIG. 2 is a front elevational view thereof;

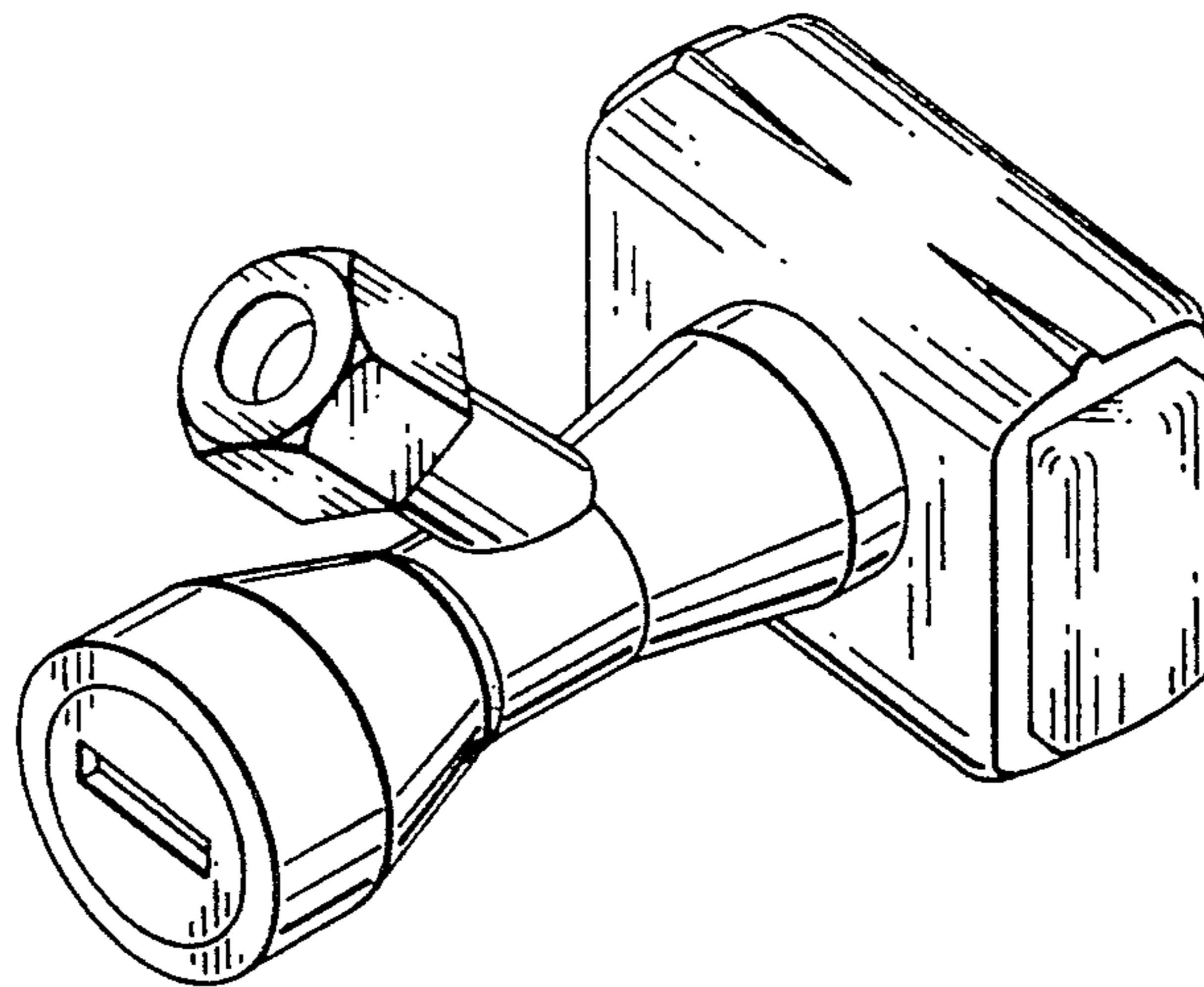
FIG. 3 is a rear elevational view thereof;

FIG. 4 is a left side elevational view thereof;

FIG. 5 is a right side elevational view thereof;

FIG. 6 is a top plan view thereof; and,

FIG. 7 is a bottom plan view thereof.



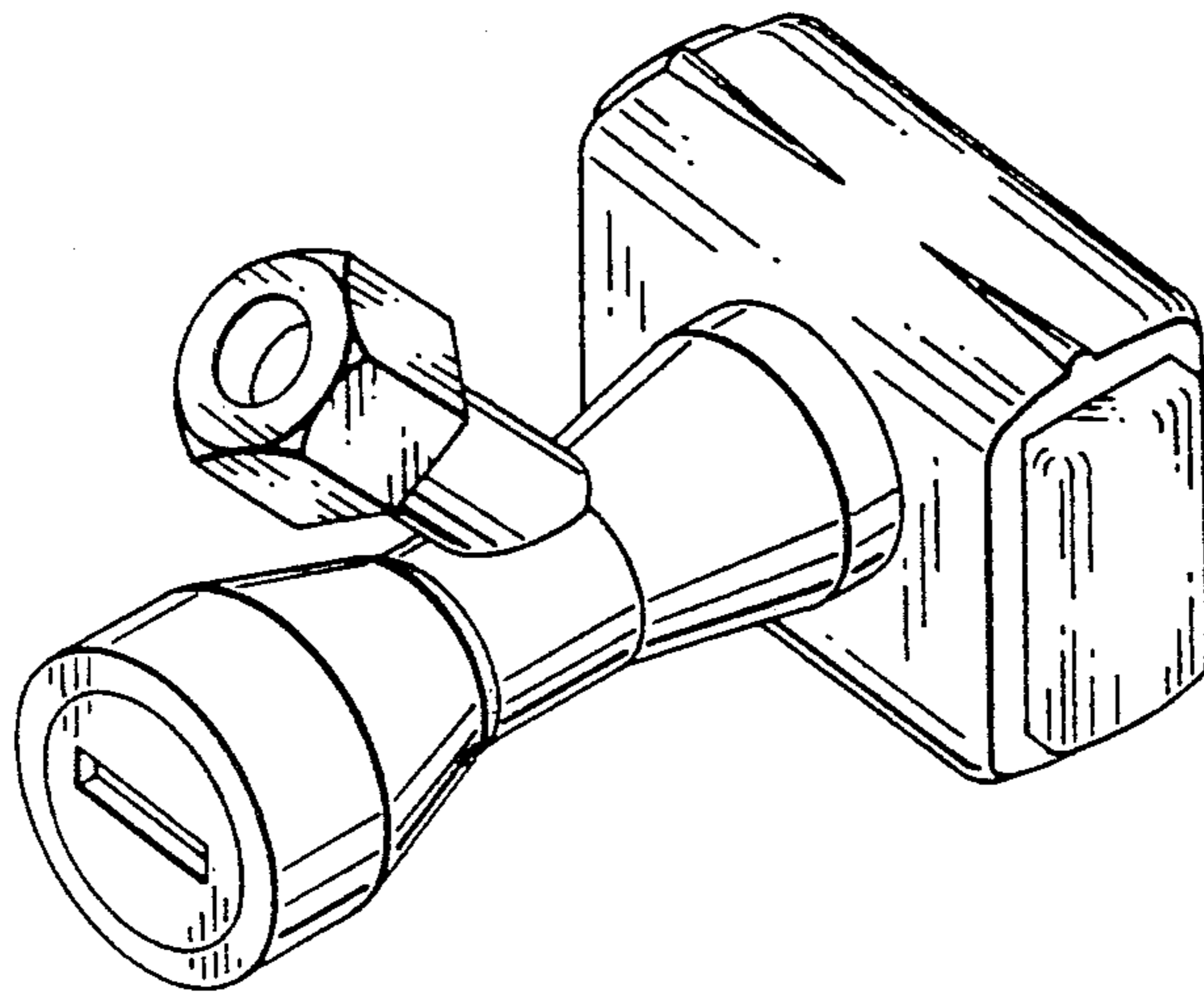


FIG. 1

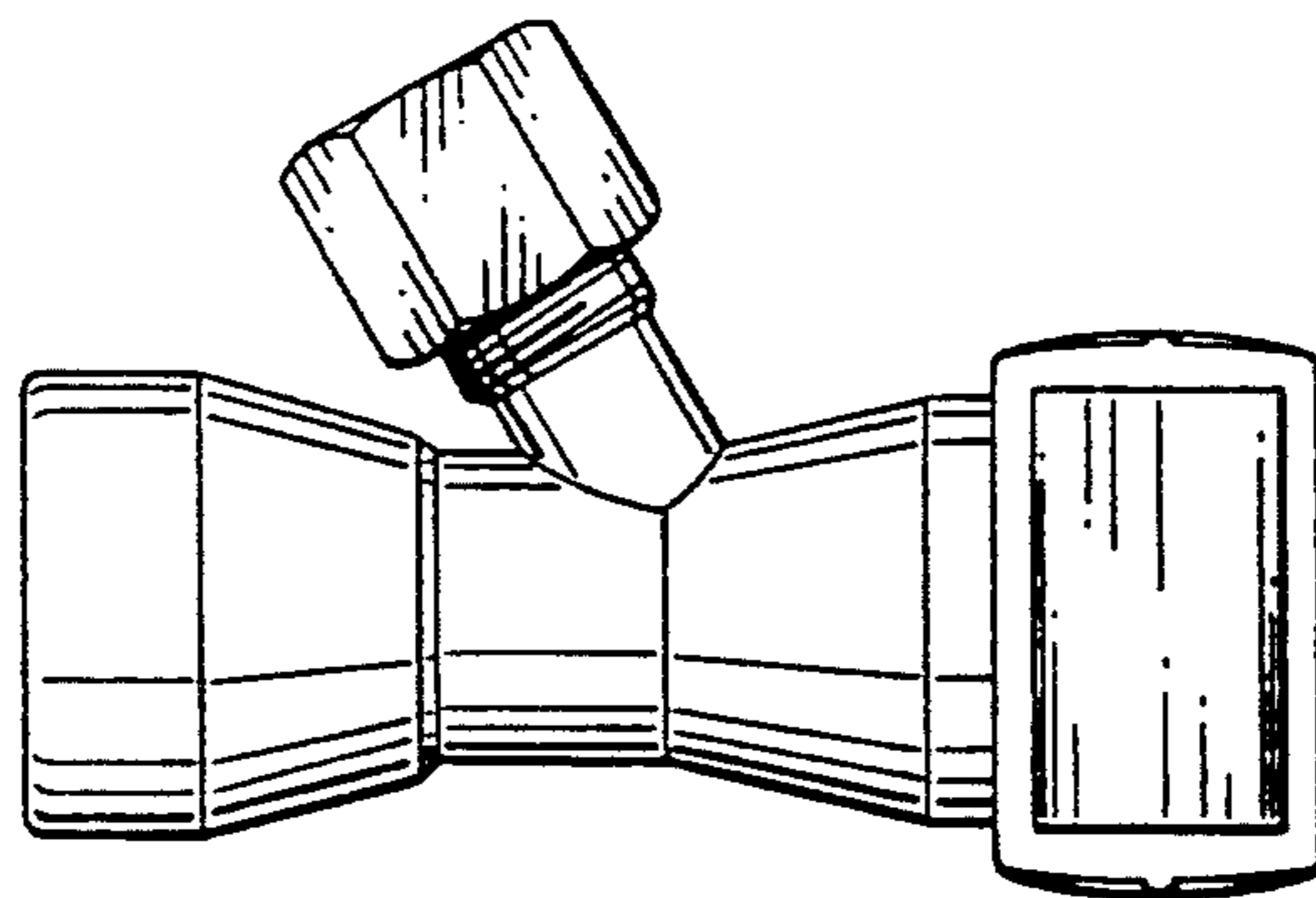


FIG. 2

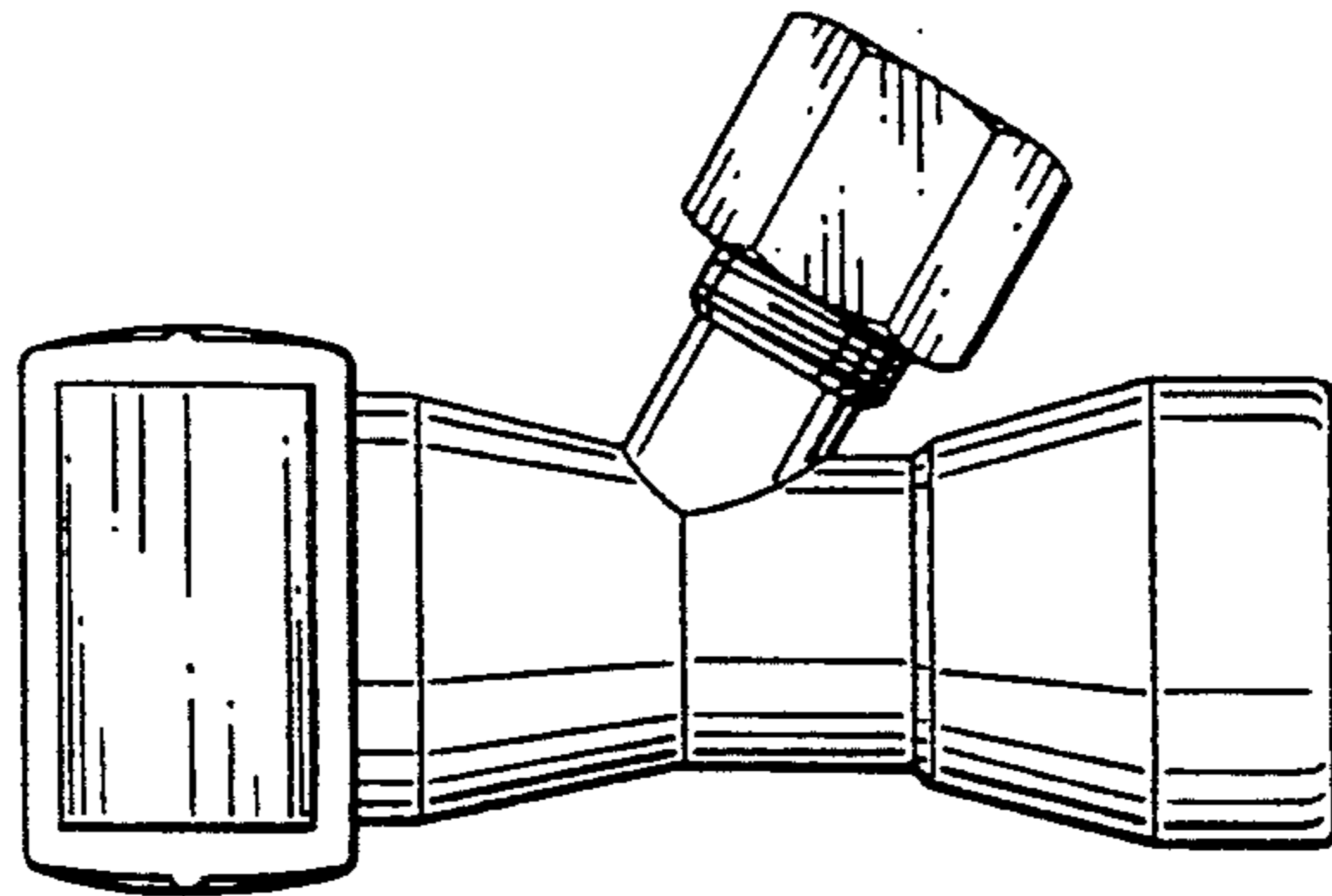


FIG. 3

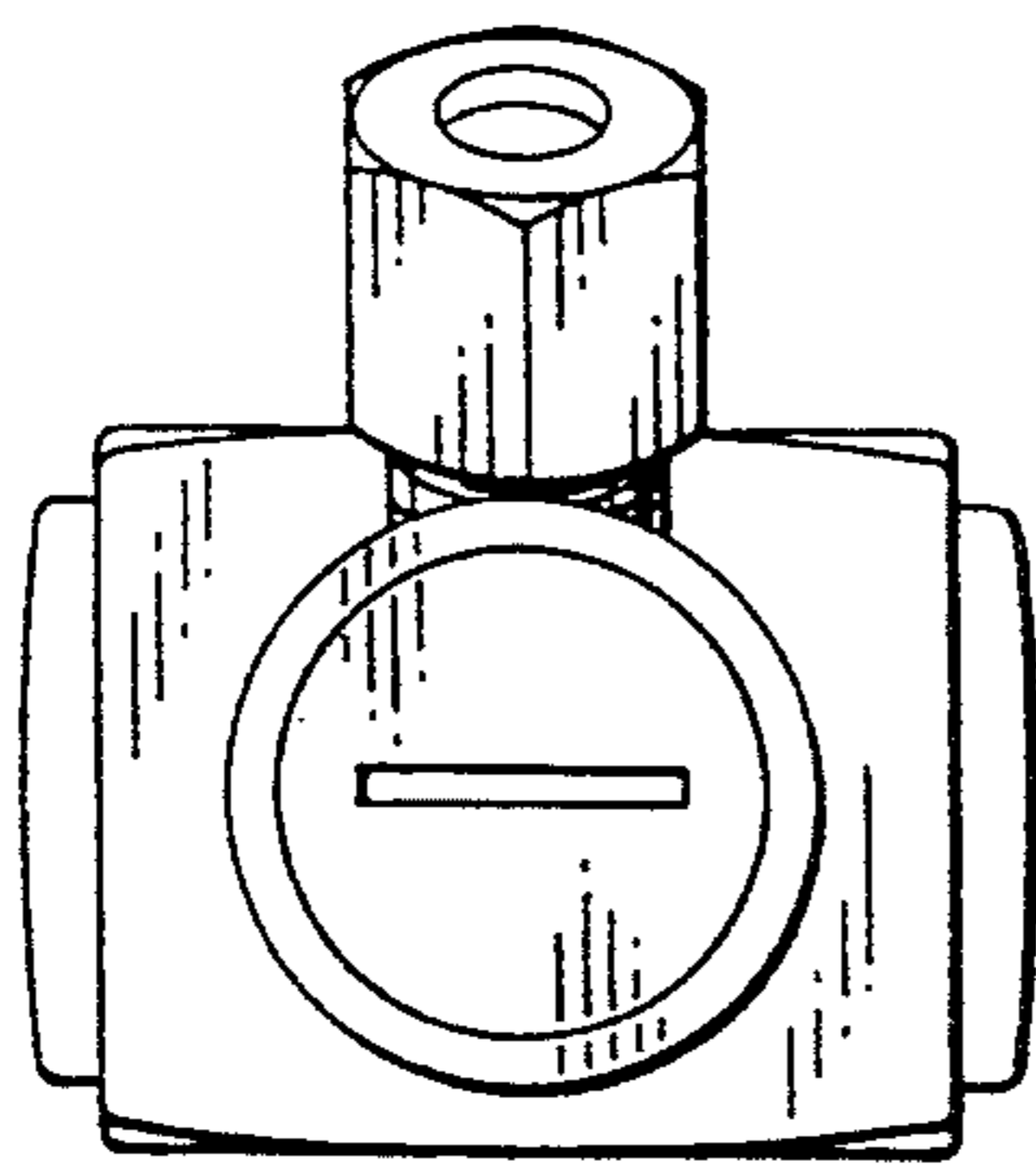


FIG. 4

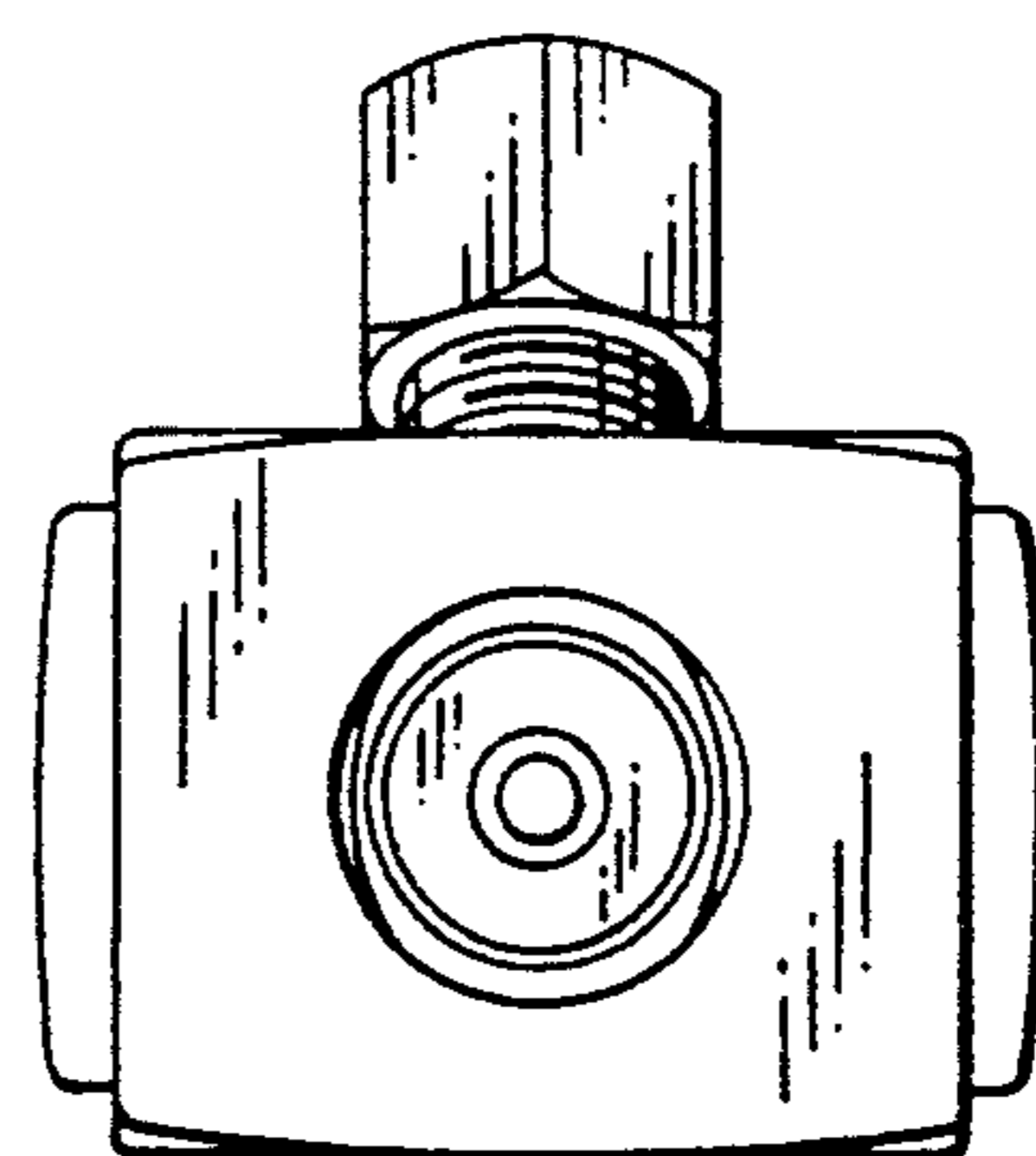


FIG. 5

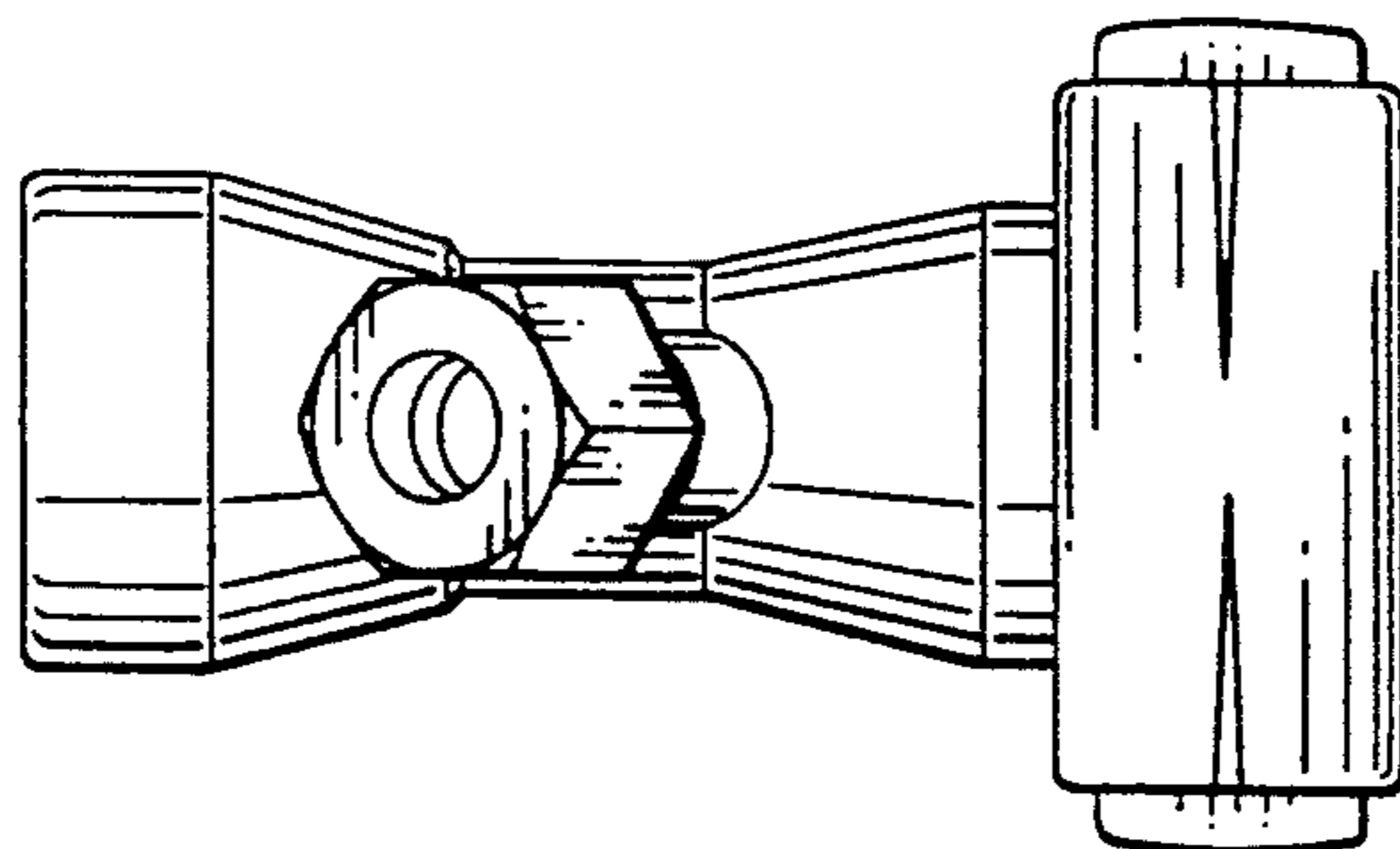


FIG. 6

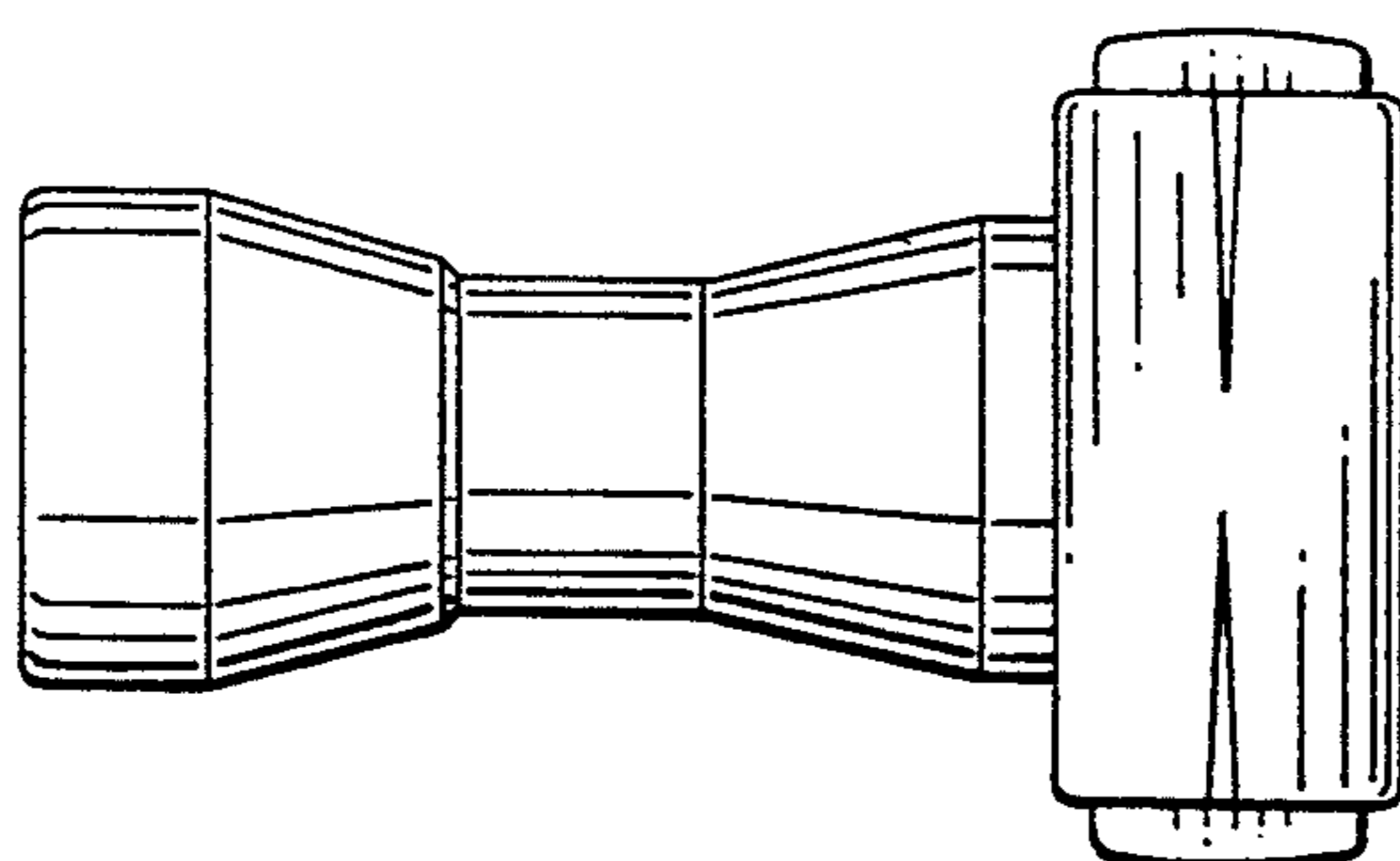


FIG. 7