



US00D329494S

# United States Patent [19]

[11] Patent Number: **Des. 329,494**

Holbrook

[45] Date of Patent: **\*\* Sep. 15, 1992**

- [54] **COMBINED ELECTRIC FAN AND LIGHT**
- [75] Inventor: **Richard M. Holbrook**, Redondo Beach, Calif.
- [73] Assignee: **Casablanca Fan Company, Inc.**, City of Industry, Calif.
- [\*\*] Term: **14 Years**
- [21] Appl. No.: **763,058**
- [22] Filed: **Sep. 19, 1991**
- [52] U.S. Cl. .... **D23/377**
- [58] Field of Search ..... **D23/377, 379, 385; 392/362, 364; 362/96, 234, 404, 147**

Moss Manufacturing Inc. Cat., back cover, ceiling fan, top right side of page.  
 Encon Industries, Inc. 1982 brochure, p. 1, ceiling fan (B), top left side of page.

*Primary Examiner*—Wallace R. Burke  
*Assistant Examiner*—Lisa Lichtenstein  
*Attorney, Agent, or Firm*—Charles H. Schwartz;  
 Ellsworth R. Roston

### [57] CLAIM

The ornamental design for a combined electric ceiling fan and light, as shown and described.

### DESCRIPTION

FIG. 1 is a bottom perspective view of a combined ceiling fan and light showing my new design; FIG. 2 is an enlarged side elevation view thereof, the other side views being substantially identical to that shown; FIG. 3 is an enlarged bottom plan view thereof; and, FIG. 4 is an enlarged top plan view thereof. The broken line showing of environmental structure in FIGS. 1, 2 and 4, is for illustrative purposes only and forms no part of the claimed design. The blades have been broken away in FIGS. 2-4 for convenience of illustration.

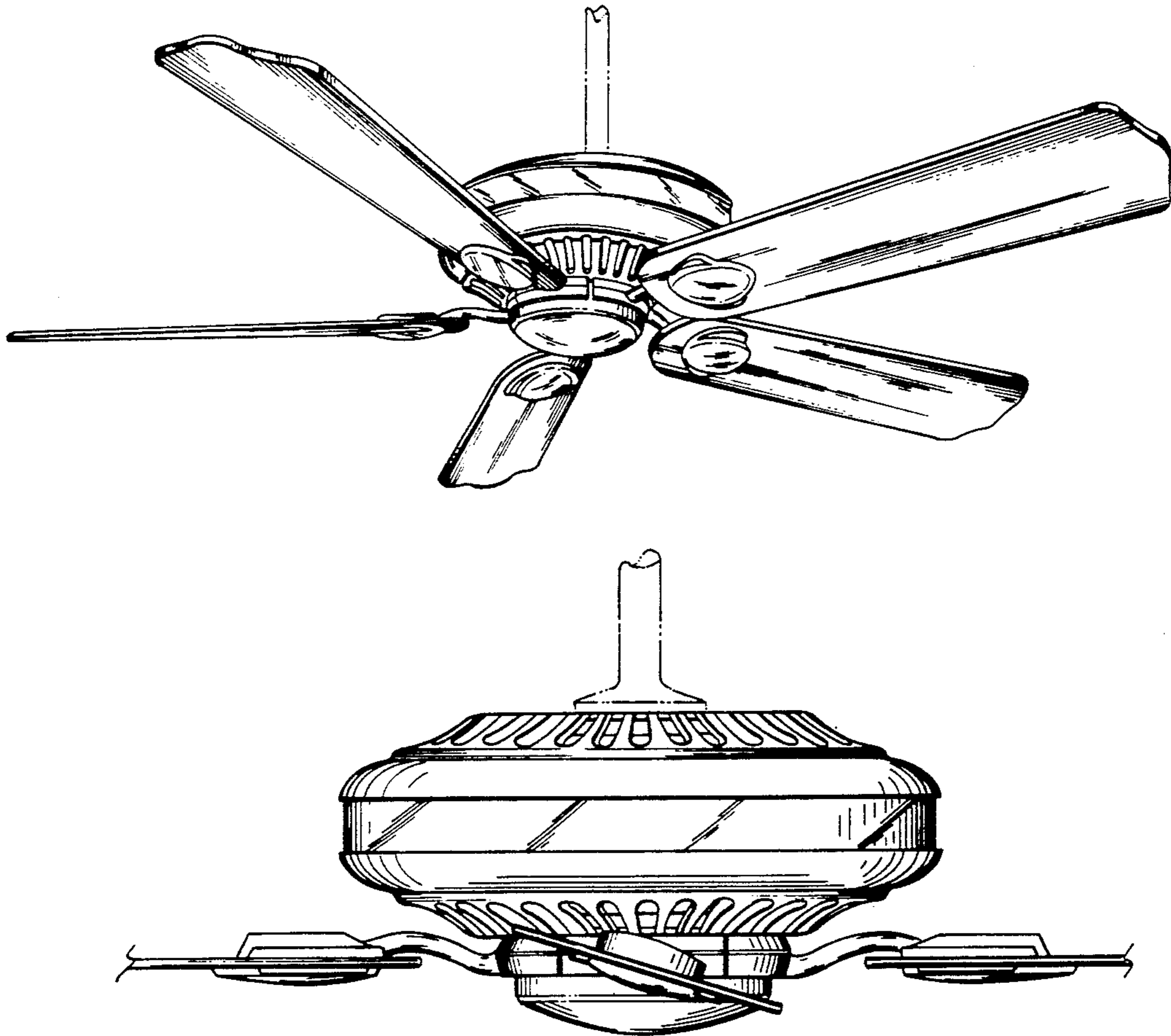
### [56] References Cited

#### U.S. PATENT DOCUMENTS

D. 270,563	9/1983	Phillips	.....	D23/379
D. 315,947	4/1991	Hollbrook	.....	D23/377
4,402,649	9/1983	Laurel	.....	D23/377
4,626,970	12/1986	Huang	.....	D23/411

#### OTHER PUBLICATIONS

Casablanca Fan Co. Cat. p. 3, Gallery Edition 12DOZ11T ceiling fan, top right side of page.  
 Casablanca Fan Co. Cat., p. 6, ceiling fan model 2262.



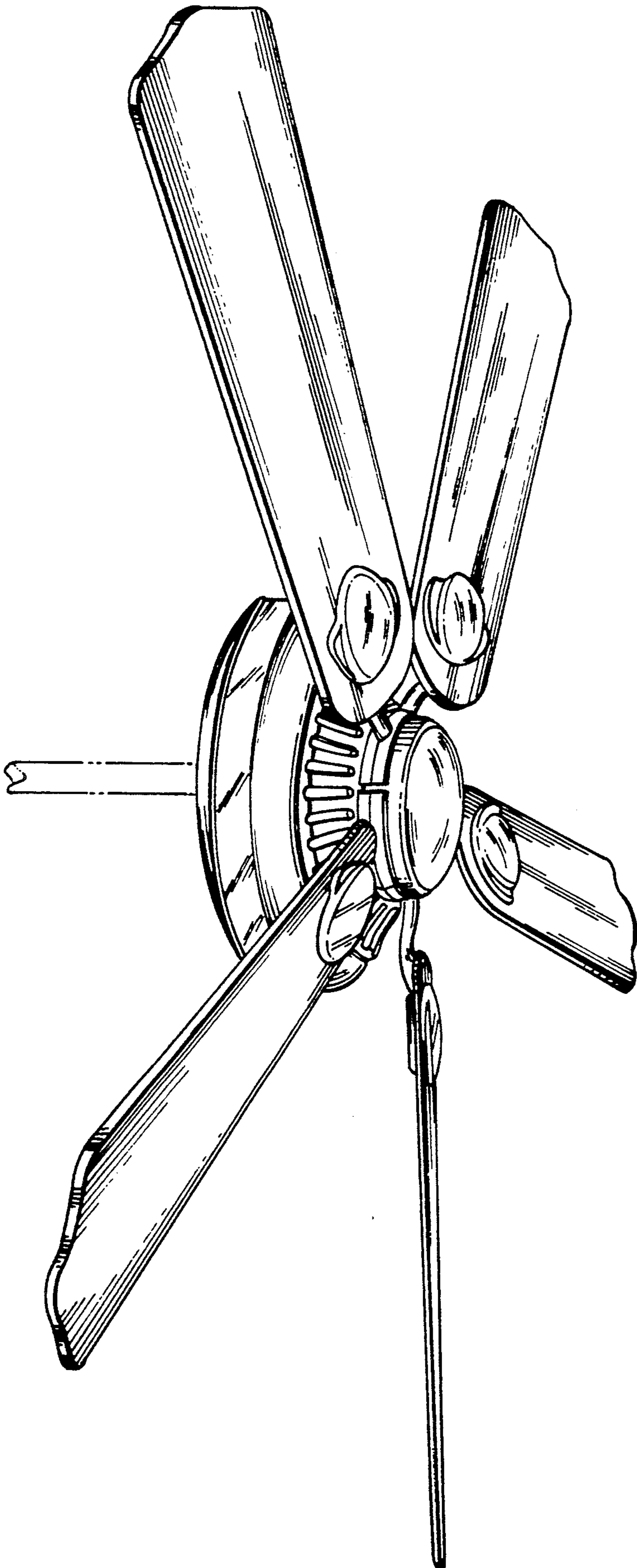
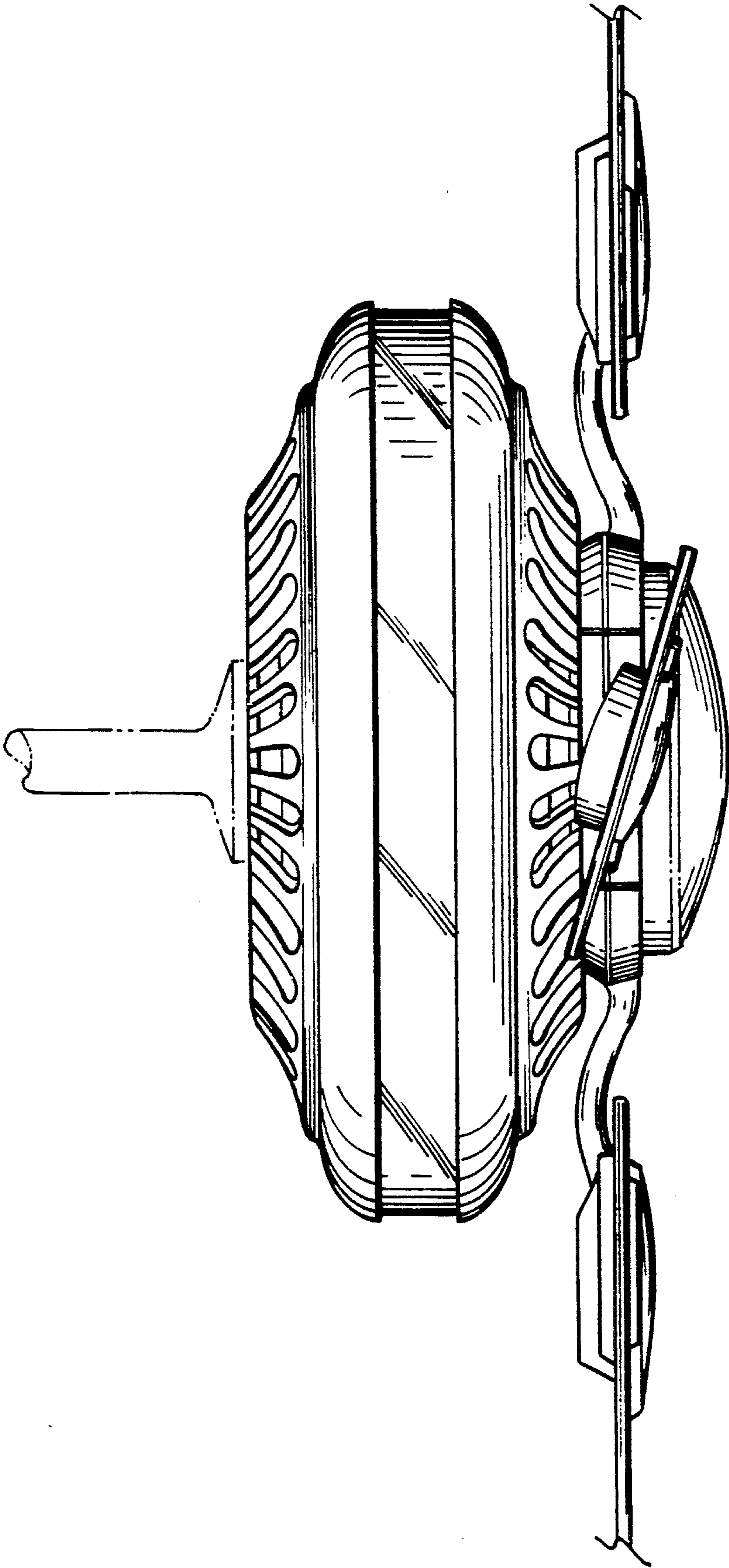


FIG. 1

FIG. 2



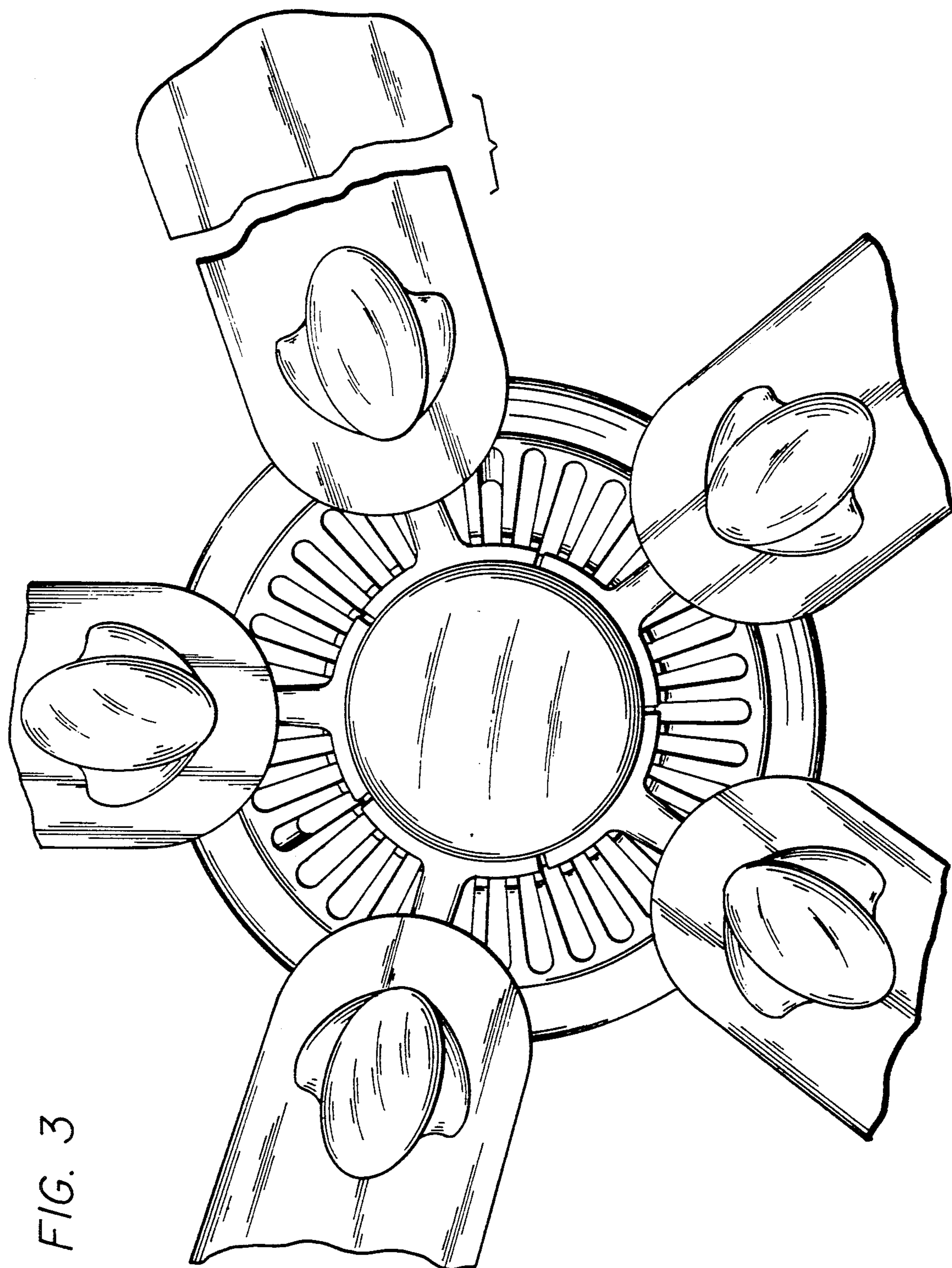


FIG. 3

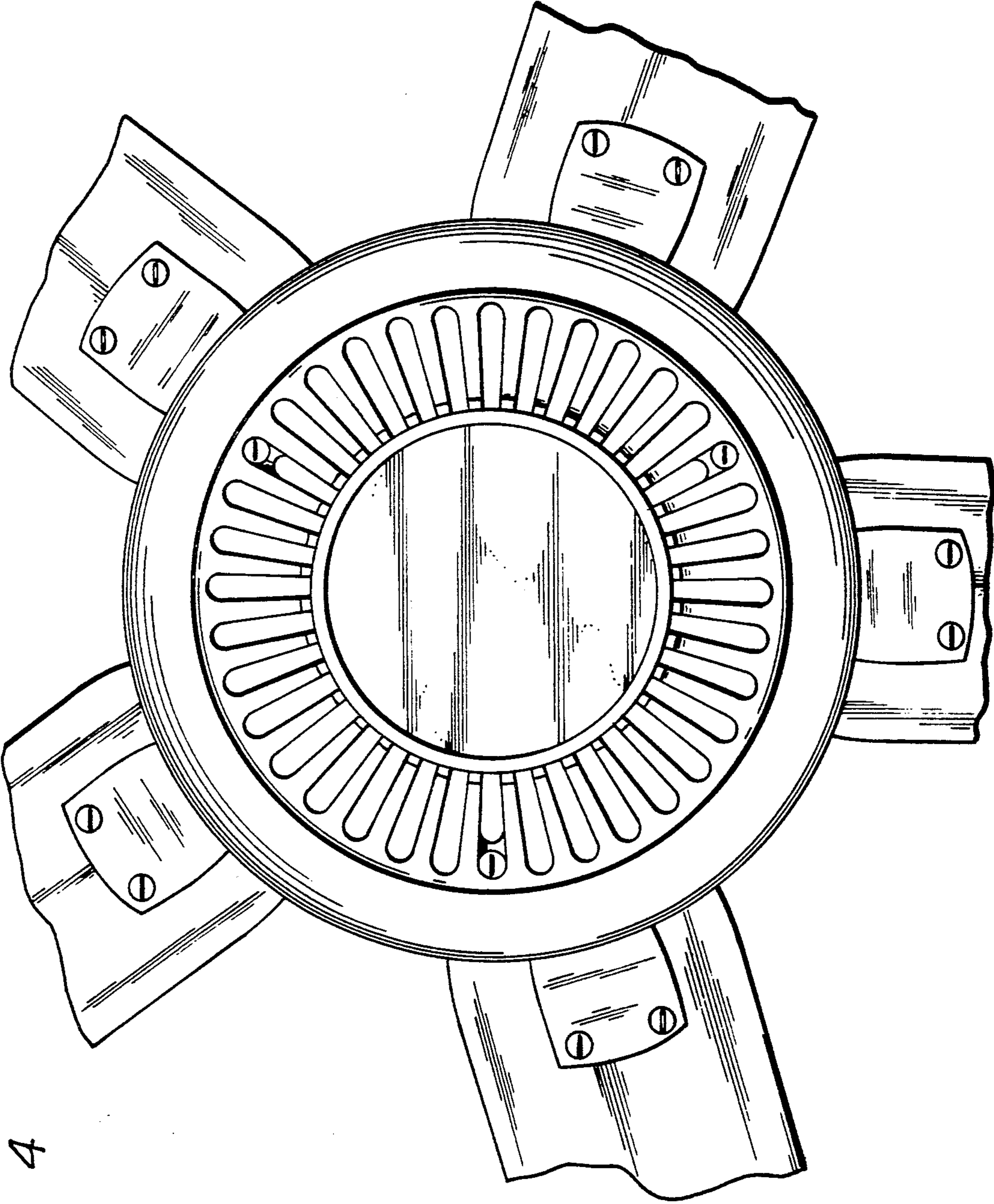


FIG. 4