



US00D329493S

United States Patent [19]

Gonzalez

[11] Patent Number: **Des. 329,493**

[45] Date of Patent: **** Sep. 15, 1992**

[54] SCENTED CENTRAL AIR UNIT

[76] Inventor: **Jose Gonzalez**, 1913 Lantana Ct.,
Virginia Beach, Va. 23456

[**] Term: **14 Years**

[21] Appl. No.: **570,712**

[22] Filed: **Aug. 23, 1990**

[52] U.S. Cl. **D23/366**

[58] Field of Search **D23/366-369;**
261/DIG. 65; 422/123, 4, 125, 261; 55/279

[56] References Cited

U.S. PATENT DOCUMENTS

3,711,023	1/1973	Smith	239/55
4,028,073	6/1977	Swaim	D23/366
4,065,262	12/1977	Petroff	55/279
4,118,226	10/1978	Boueassa	55/279
4,306,892	12/1981	Atalla	55/279
4,563,333	1/1986	Frigon	55/279
4,604,114	8/1986	Ward	55/279
5,019,352	5/1991	Gonzalez	55/279

FOREIGN PATENT DOCUMENTS

710757	6/1965	Canada	422/261
345149	12/1989	European Pat. Off.	261/DIG. 65
66869	6/1978	Japan	422/4

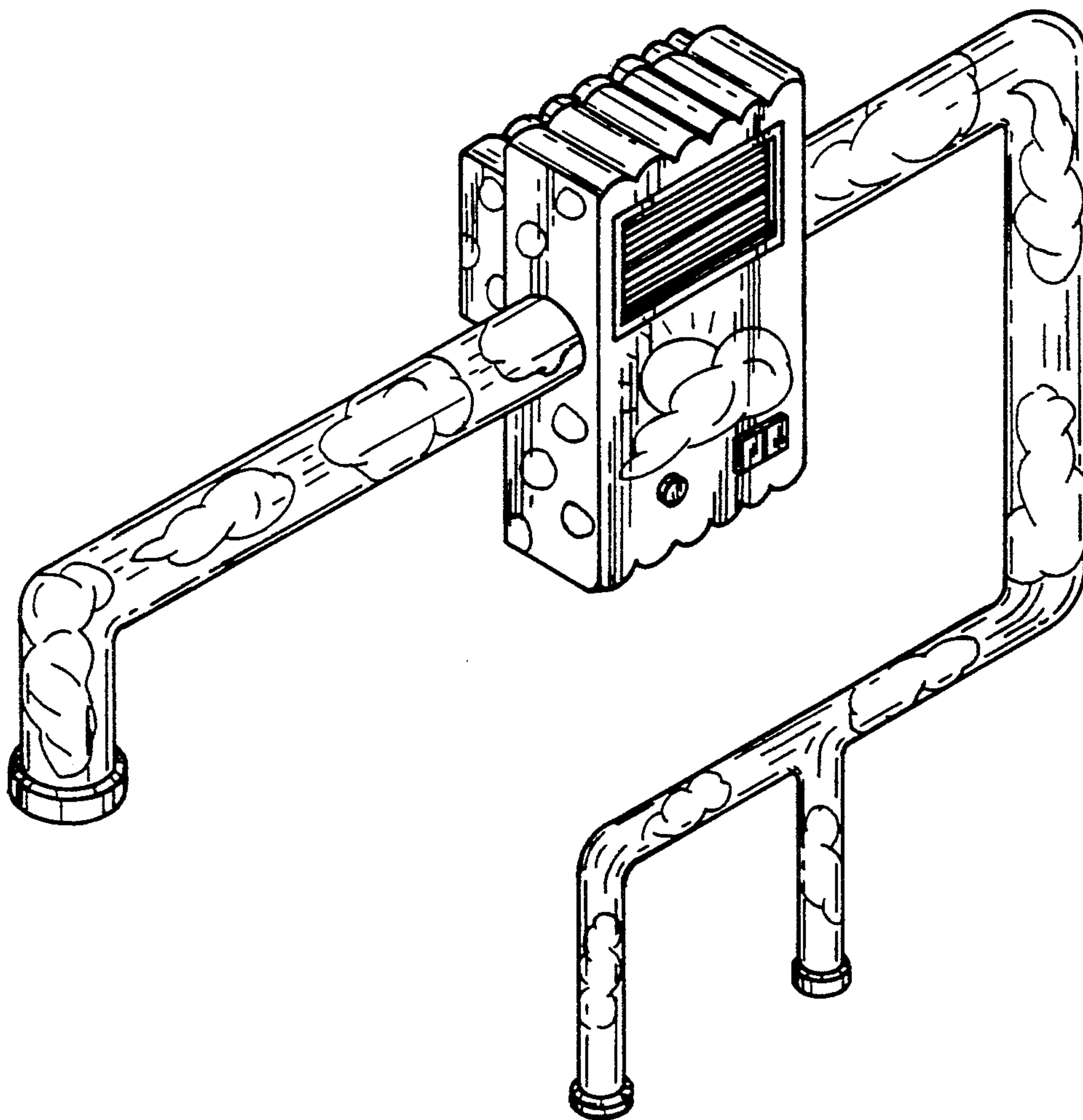
Primary Examiner—Wallace R. Burke
Assistant Examiner—Lisa Lichtenstein
Attorney, Agent, or Firm—Terry M. Gernstein

[57] CLAIM

The ornamental design for a scented central air unit, as shown.

DESCRIPTION

FIG. 1 is a front top and left side perspective view of a scented central air unit showing my design; FIG. 2 is a left end elevational view thereof; FIG. 3 is a right end elevational view thereof; FIG. 4 is a top plan view thereof; FIG. 5 is a bottom plan view thereof; FIG. 6 is a front elevational view thereof; and, FIG. 7 is a rear elevational view thereof.



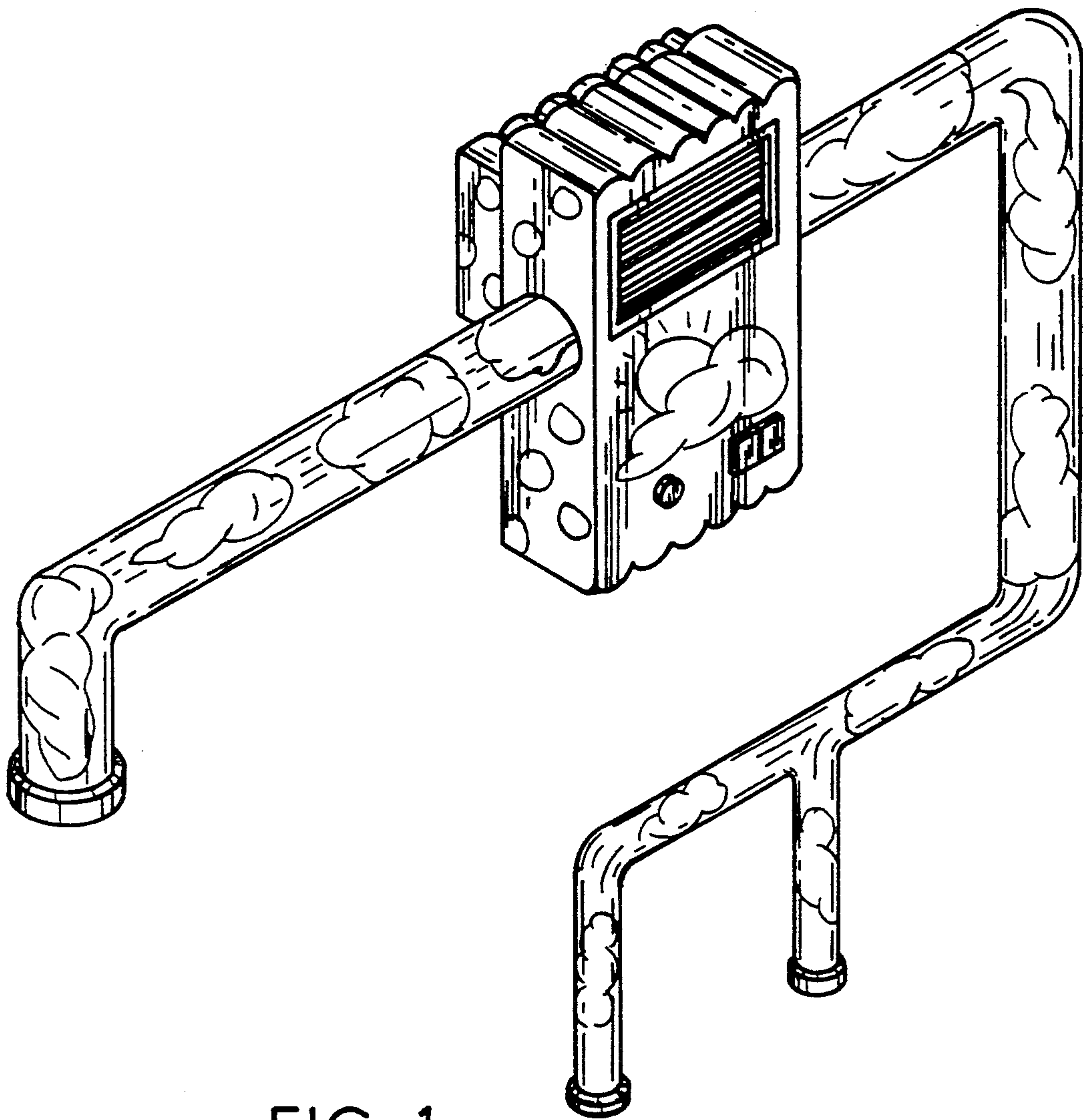


FIG. 1

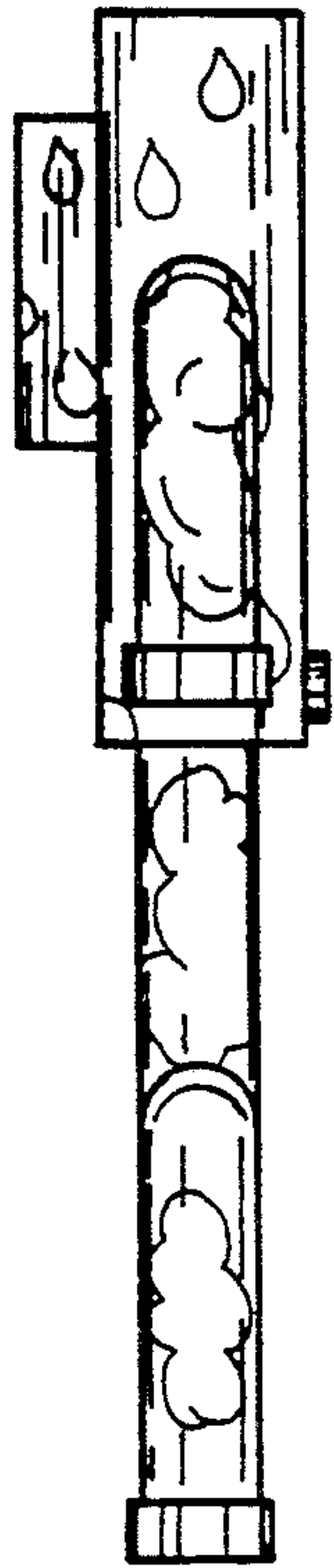


FIG. 2

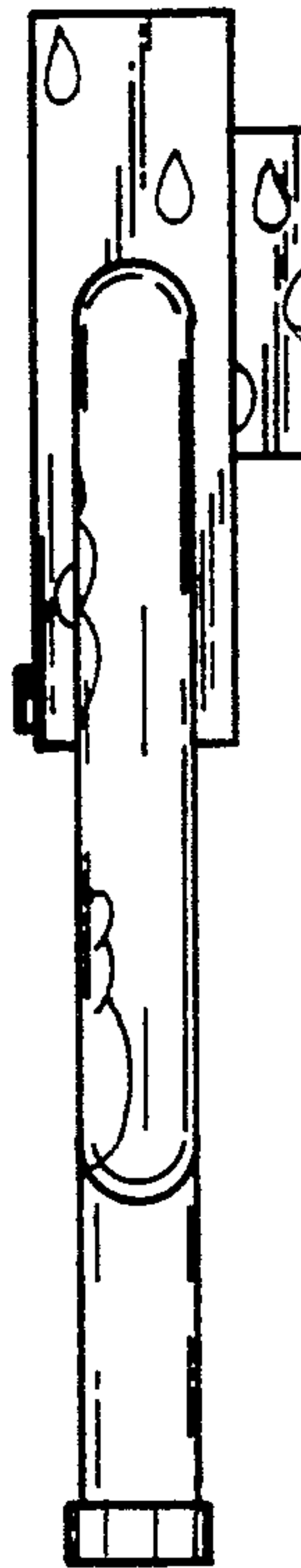


FIG. 3

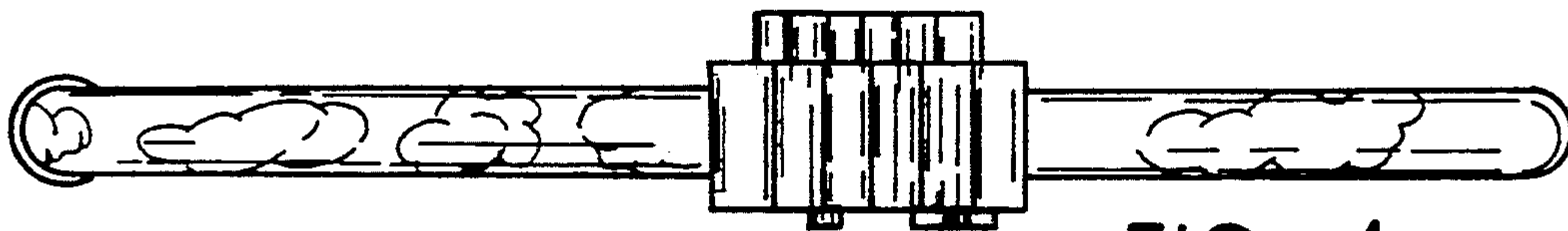


FIG. 4

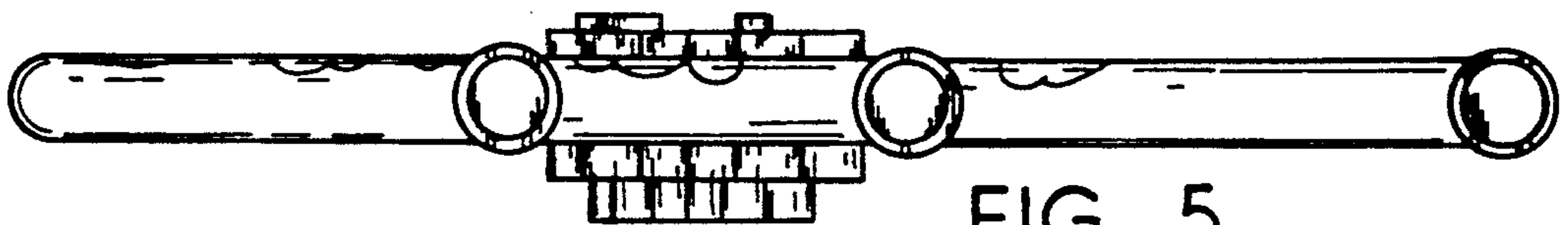


FIG. 5

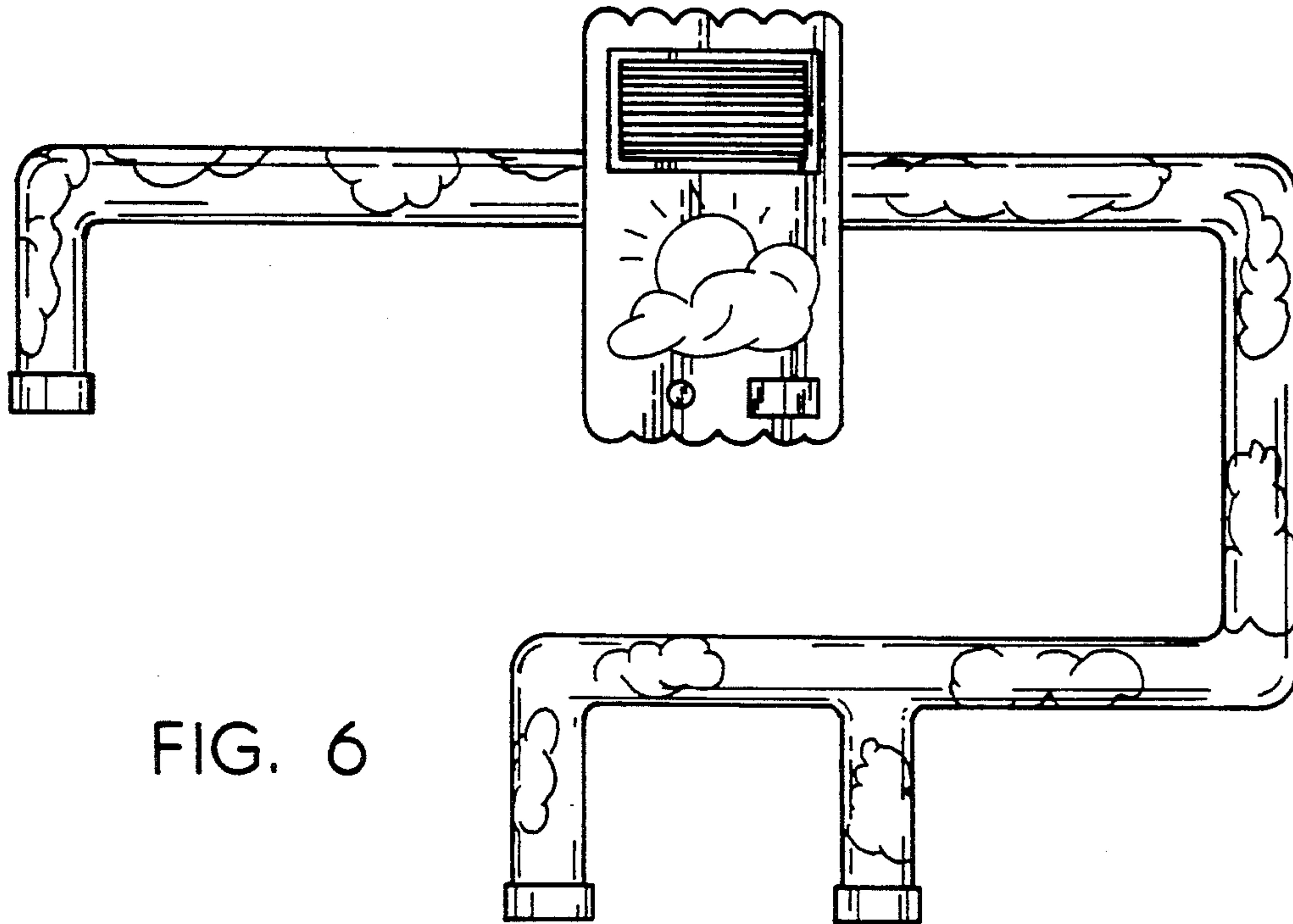


FIG. 6

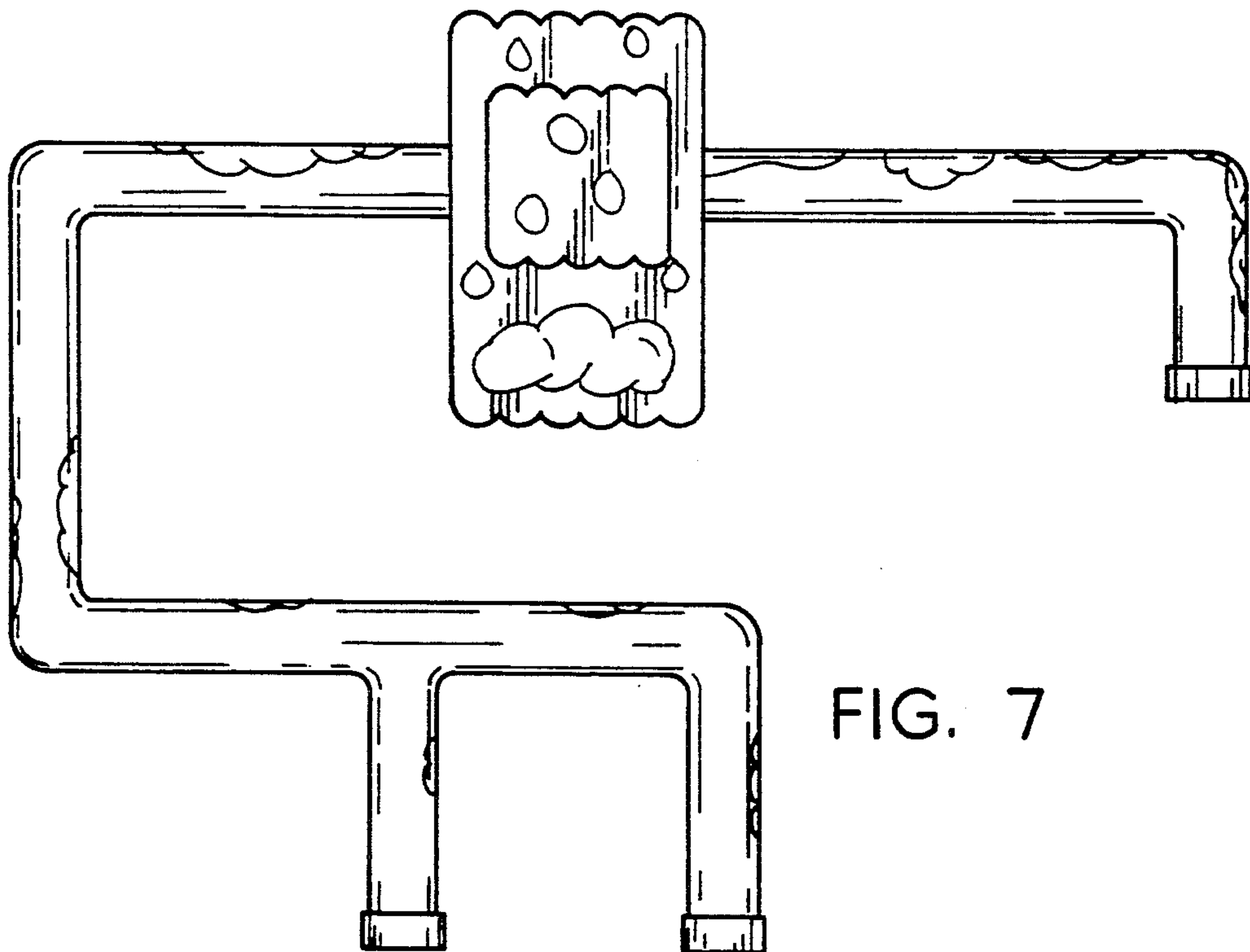


FIG. 7