



US00D329492S

United States Patent [19]

[11] Patent Number: **Des. 329,492**

New

[45] Date of Patent: **** Sep. 15, 1992**

[54] **COMBINED BIDET, TOILET SEAT, AND TOILET SEAT COVER**

[76] Inventor: **H. W. New, 25188 Marion Unit F-409, Punta Gorda, Fla. 33950**

[**] Term: **14 Years**

[21] Appl. No.: **543,110**

[22] Filed: **Jun. 25, 1990**

[52] U.S. Cl. **D23/295; D23/311**

[58] Field of Search **D23/276, 295, 303, 309; 4/420.1-420.5, 8, 443-448**

4,441,219	4/1984	Epstein	4/420.4 X
4,550,454	11/1985	Yui	4/420.1 X
4,642,820	2/1987	Boring, Jr.	4/448
5,003,645	4/1991	Alonso	4/448
5,023,961	6/1991	Alonso	4/420.4 X

Primary Examiner—James R. Largen
Attorney, Agent, or Firm—James D. Birkenholz

[57] CLAIM

The ornamental design of a combined bidet toilet seat, and toilet seat cover, as shown and described.

DESCRIPTION

FIG. 1 is a bottom perspective view of a combined bidet, toilet seat and toilet seat cover showing my new design;

FIG. 2 is a right side elevational view thereof, the left side being a mirror image of the right side;

FIG. 3 is a front elevational view thereof;

FIG. 4 is a rear elevational view thereof;

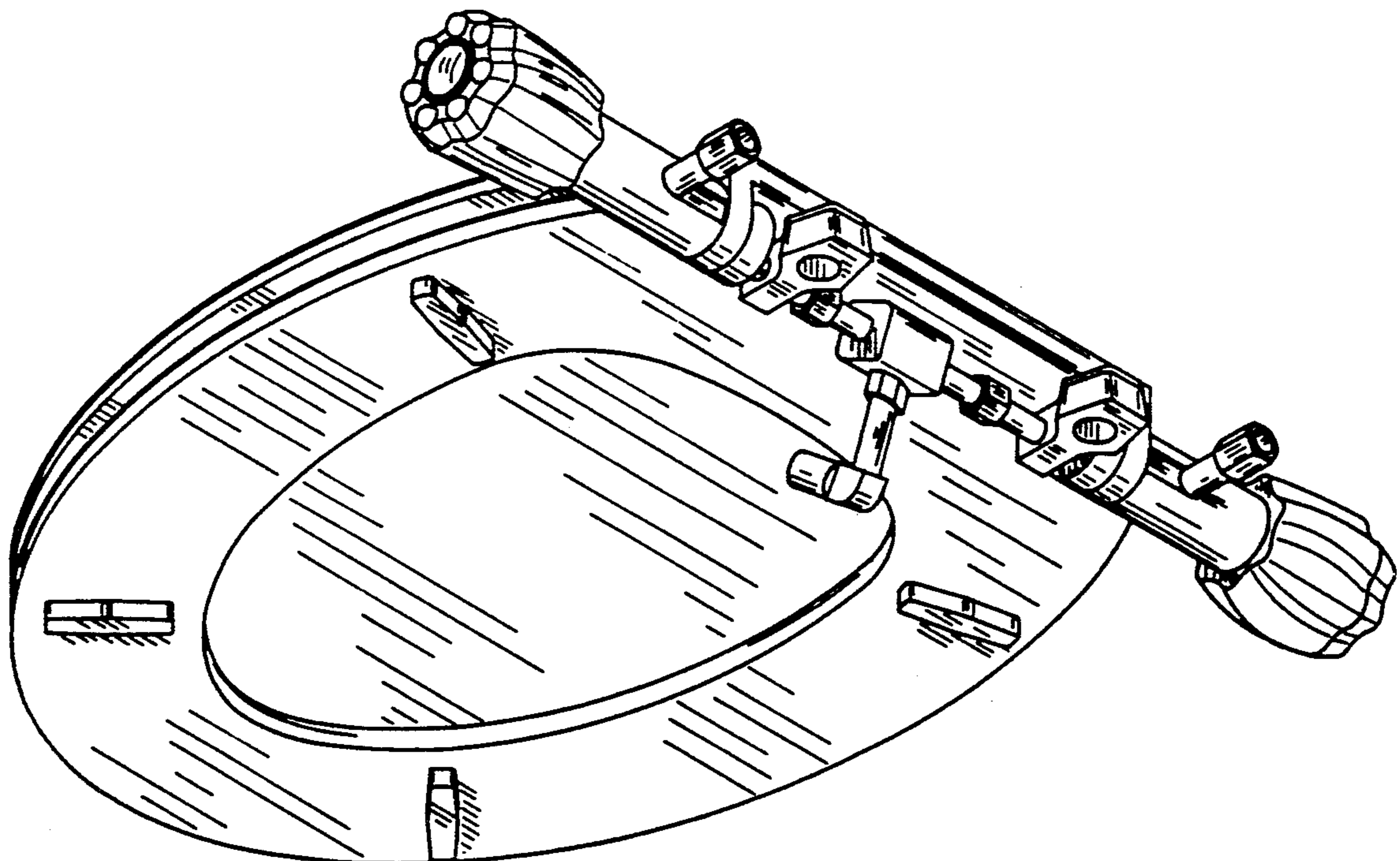
FIG. 5 is a top plan view thereof; and,

FIG. 6 is a bottom plan view thereof.

[56] References Cited

U.S. PATENT DOCUMENTS

D. 279,924	7/1985	Osgood	D23/295 X
D. 281,098	10/1985	Jennings	D23/213
3,430,268	3/1969	Zoberg	4/420.1
3,513,487	5/1970	Palermo et al.	4/420.4
3,605,124	9/1971	Marcard et al.	4/420.2
4,135,255	1/1979	Menendez	4/448



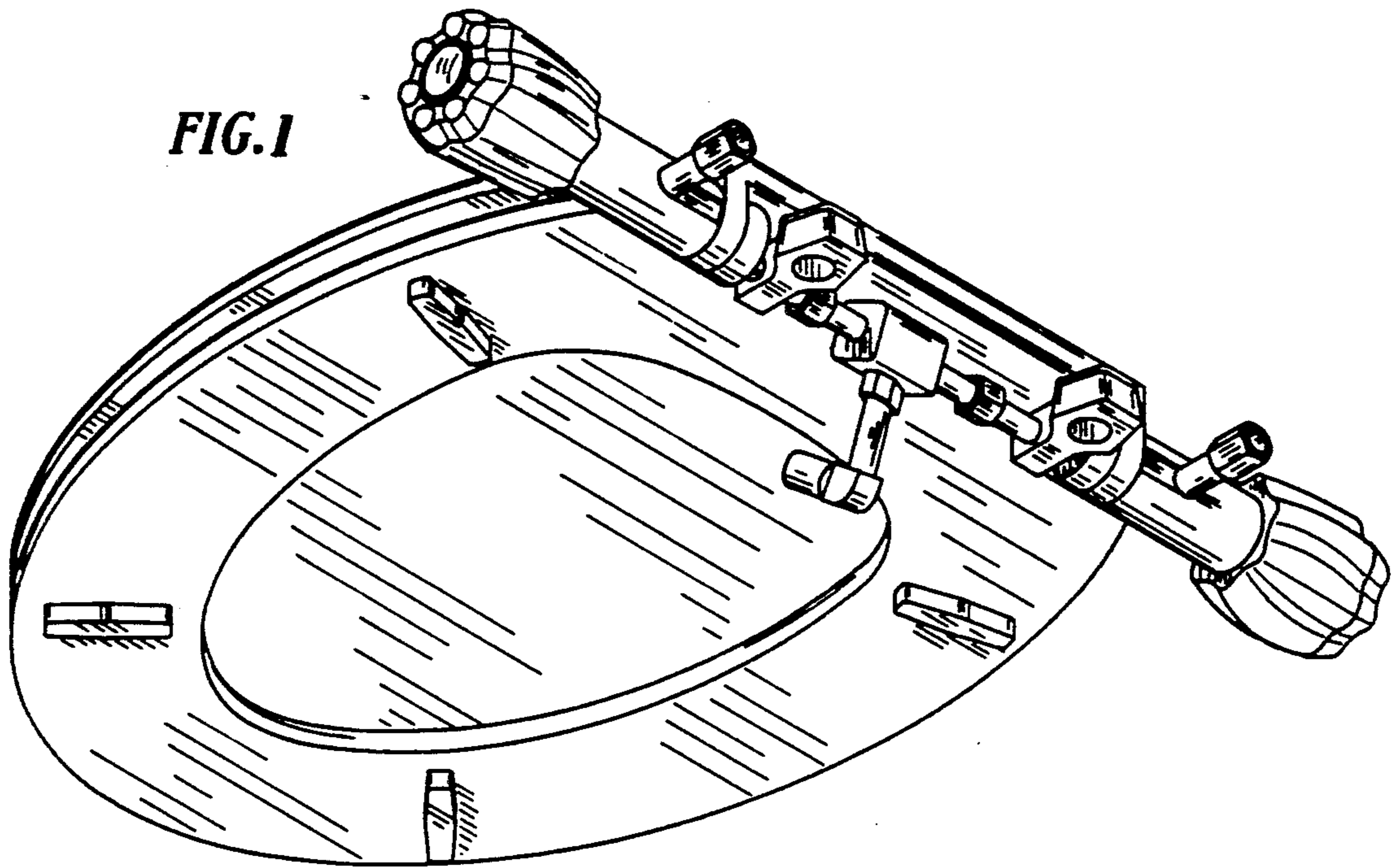


FIG. 2

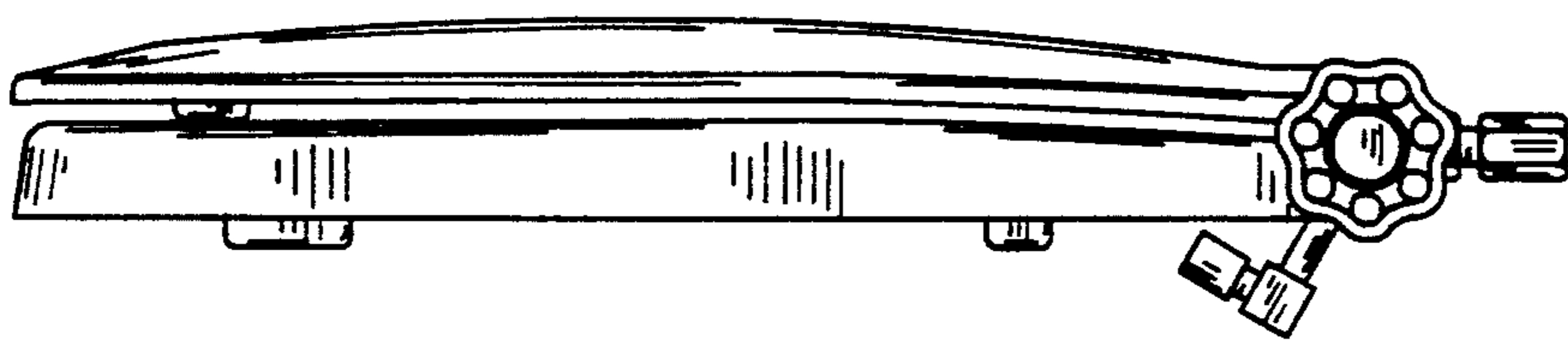


FIG. 3

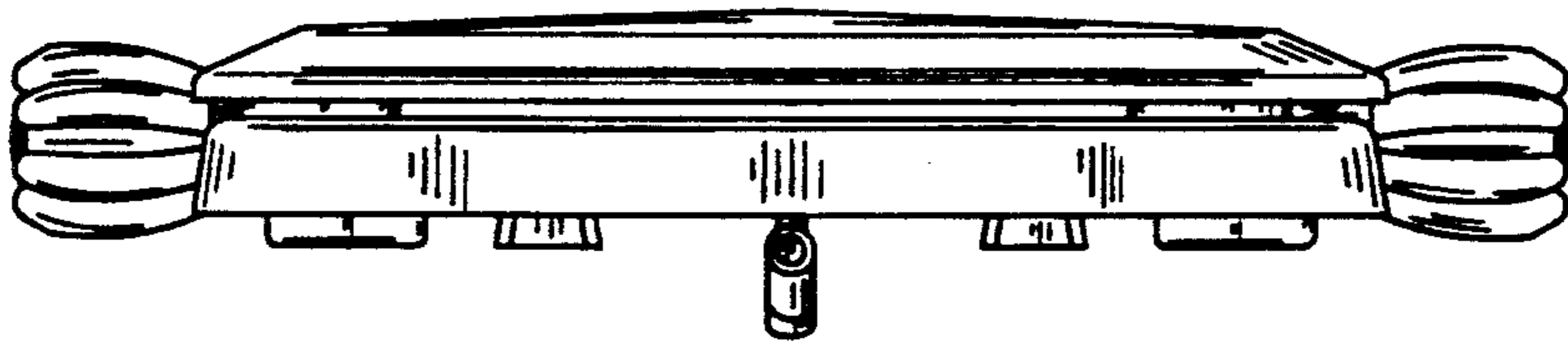


FIG. 4

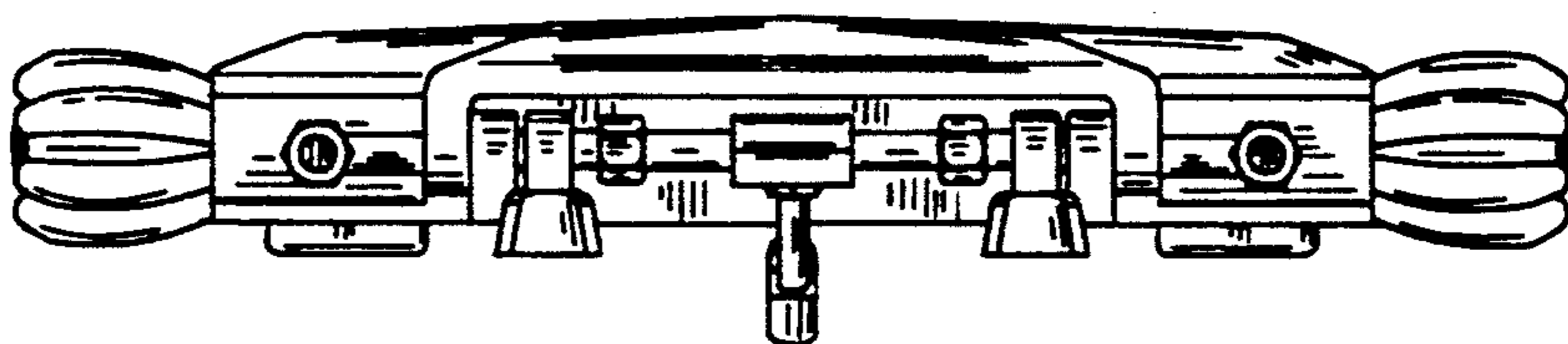


FIG. 5

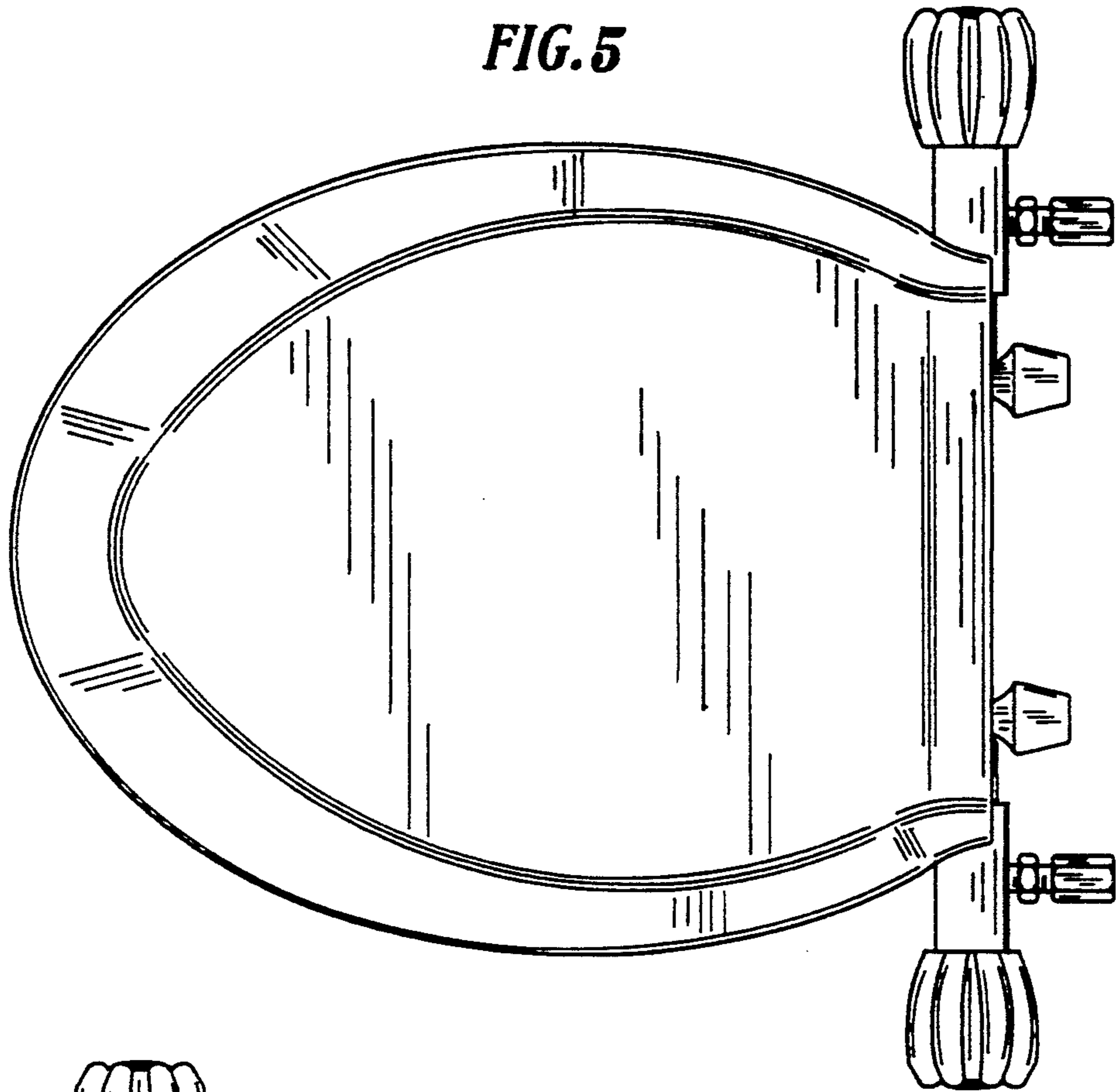


FIG. 6

