



US00D329490S

# United States Patent [19]

Paterson et al.

[11] Patent Number: **Des. 329,490**

[45] Date of Patent: **\*\* Sep. 15, 1992**

[54] FAUCET HANDLE

[75] Inventors: **Graham H. Paterson**, Wilmington, Del.; **Barbara E. MacKenzie**, Dollard des Ormeaux, Canada

[73] Assignee: **Speakman Company**, Wilmington, Del.

[\*\*] Term: **14 Years**

[21] Appl. No.: **465,006**

[22] Filed: **Jan. 16, 1990**

[52] U.S. Cl. .... **D23/251; D8/305**

[58] Field of Search ..... **D23/238-243, D23/250-257; D8/300, 301, 305-307, 310-312, 315, 319, 320, 350; 4/191, 192; 16/110, 118, 119, 121, 125**

[56] **References Cited**

**U.S. PATENT DOCUMENTS**

- D. 204,086 3/1966 Russell ..... D8/312
- D. 219,905 2/1971 Gottwold ..... D8/312

- D. 227,566 7/1973 Thorp ..... D8/312 X
- D. 262,773 1/1982 Wansbrough et al. .... D8/312
- D. 285,827 9/1986 Hill et al. .... D23/250
- D. 318,715 7/1991 Hardman ..... D23/251
- D. 318,716 7/1991 Hardman ..... D23/251
- D. 319,297 8/1991 Hardman ..... D23/251
- D. 319,865 9/1991 Hardman ..... D23/251
- D. 320,646 10/1991 Hardman ..... D23/251
- 3,012,808 12/1961 Zion ..... D8/300 X

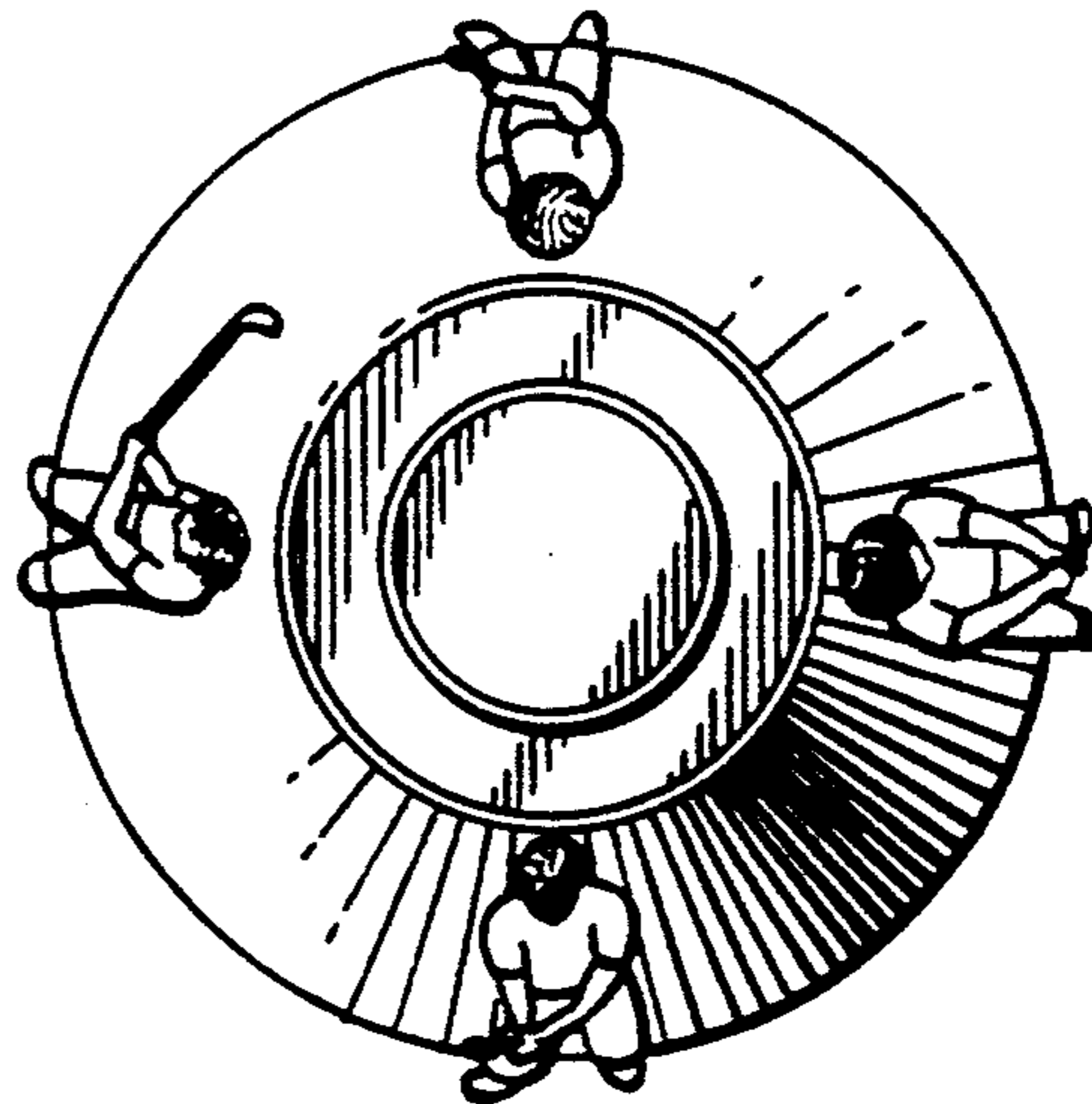
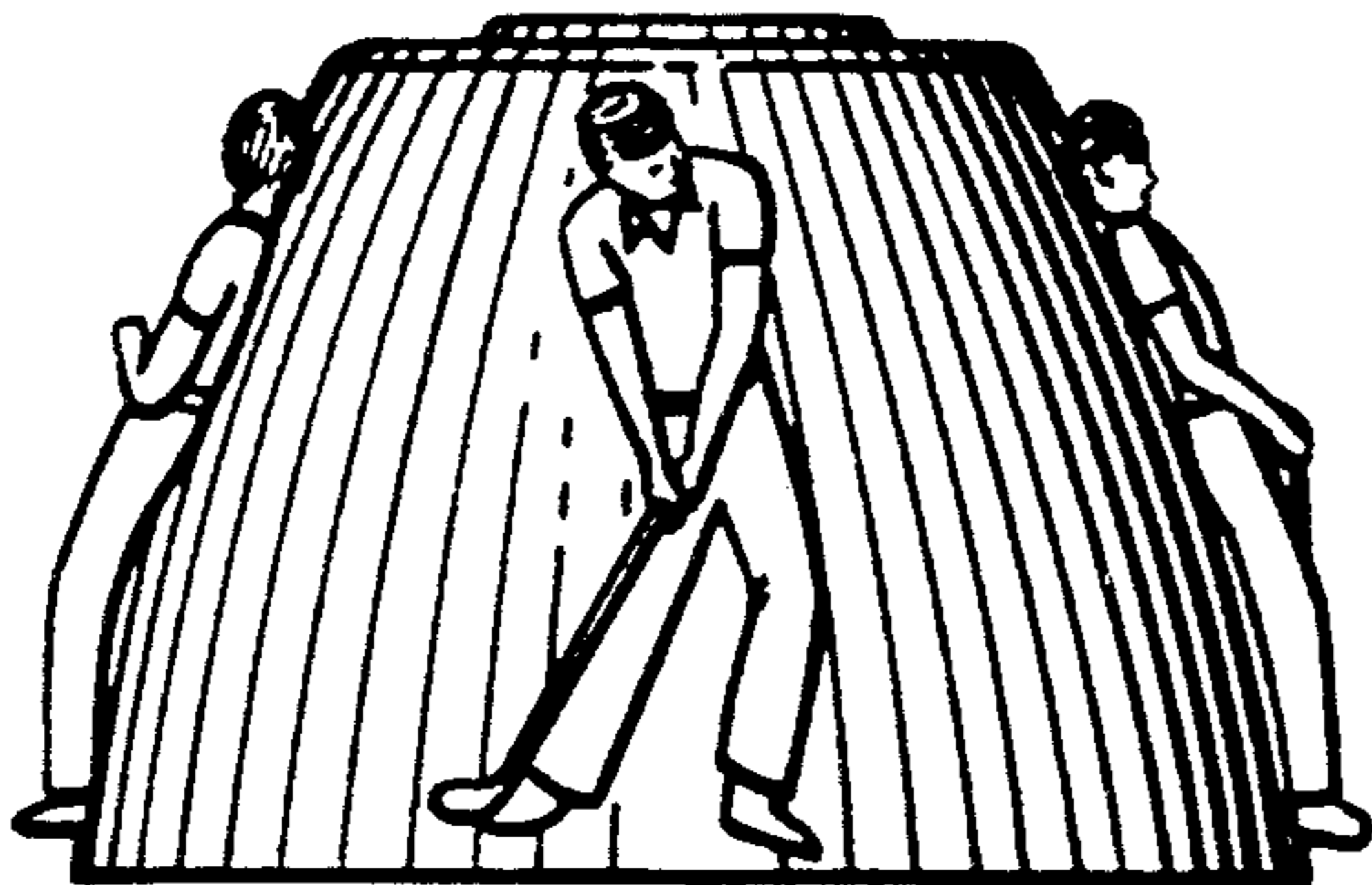
*Primary Examiner*—James R. Largen  
*Attorney, Agent, or Firm*—Connolly and Hutz

[57] **CLAIM**

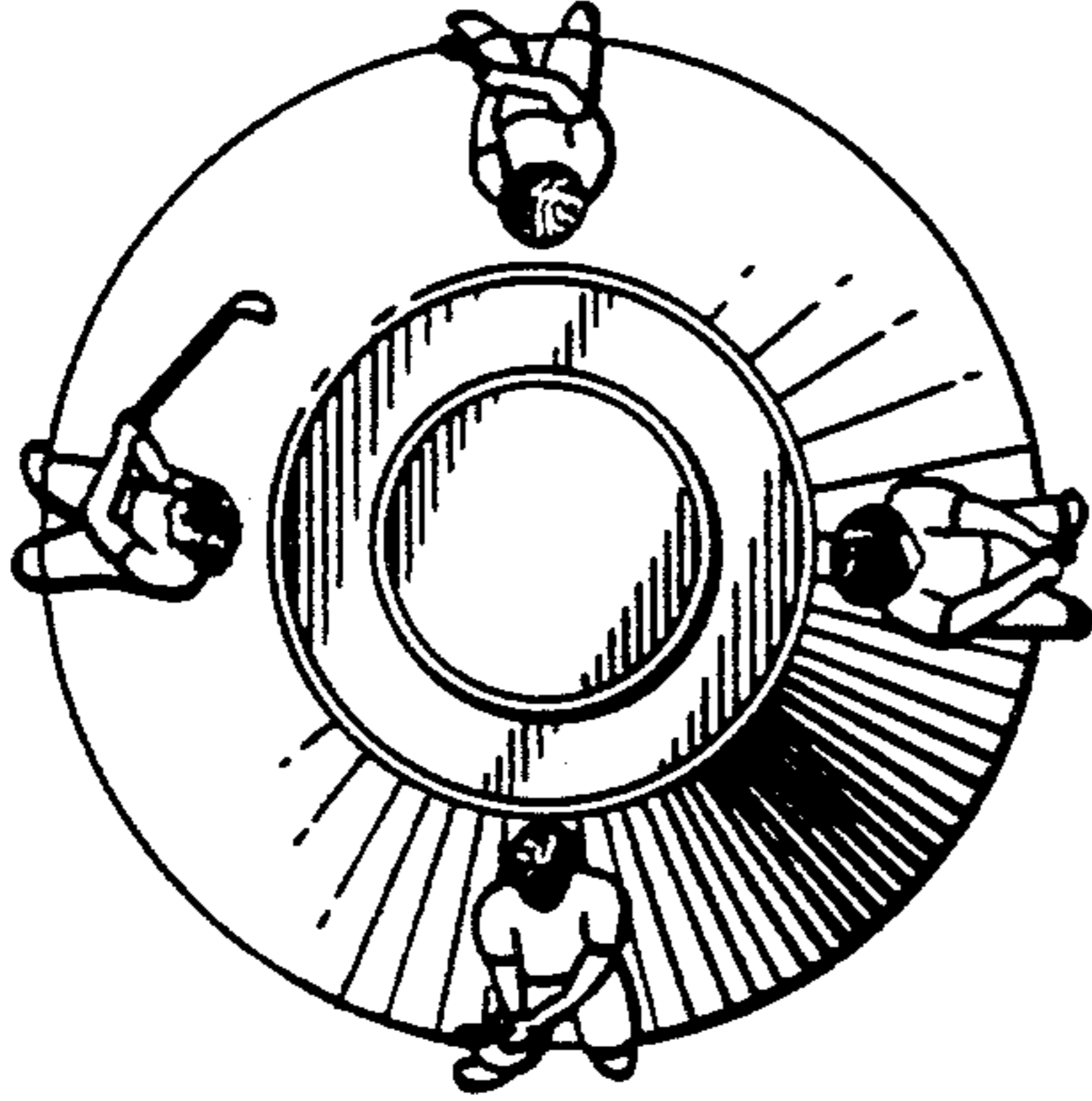
The ornamental design for a faucet handle, as shown and described.

**DESCRIPTION**

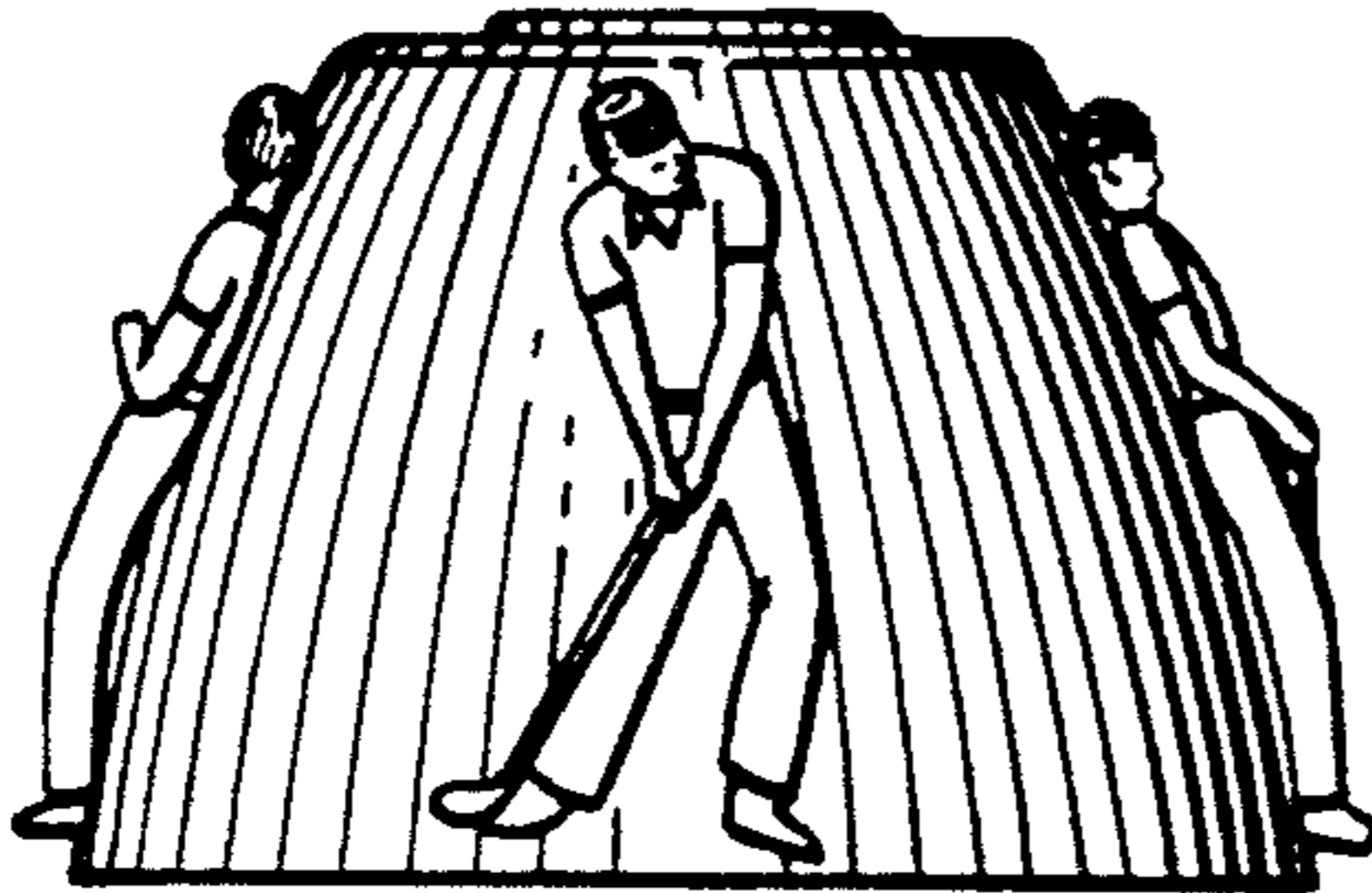
FIG. 1 is a front elevational view of a faucet handle showing our new design;  
FIG. 2 is a right side elevational view thereof;  
FIG. 3 is a rear elevational view thereof;  
FIG. 4 is a left side elevational view thereof;  
FIG. 5 is a top plan view thereof; and,  
FIG. 6 is a bottom plan view thereof.



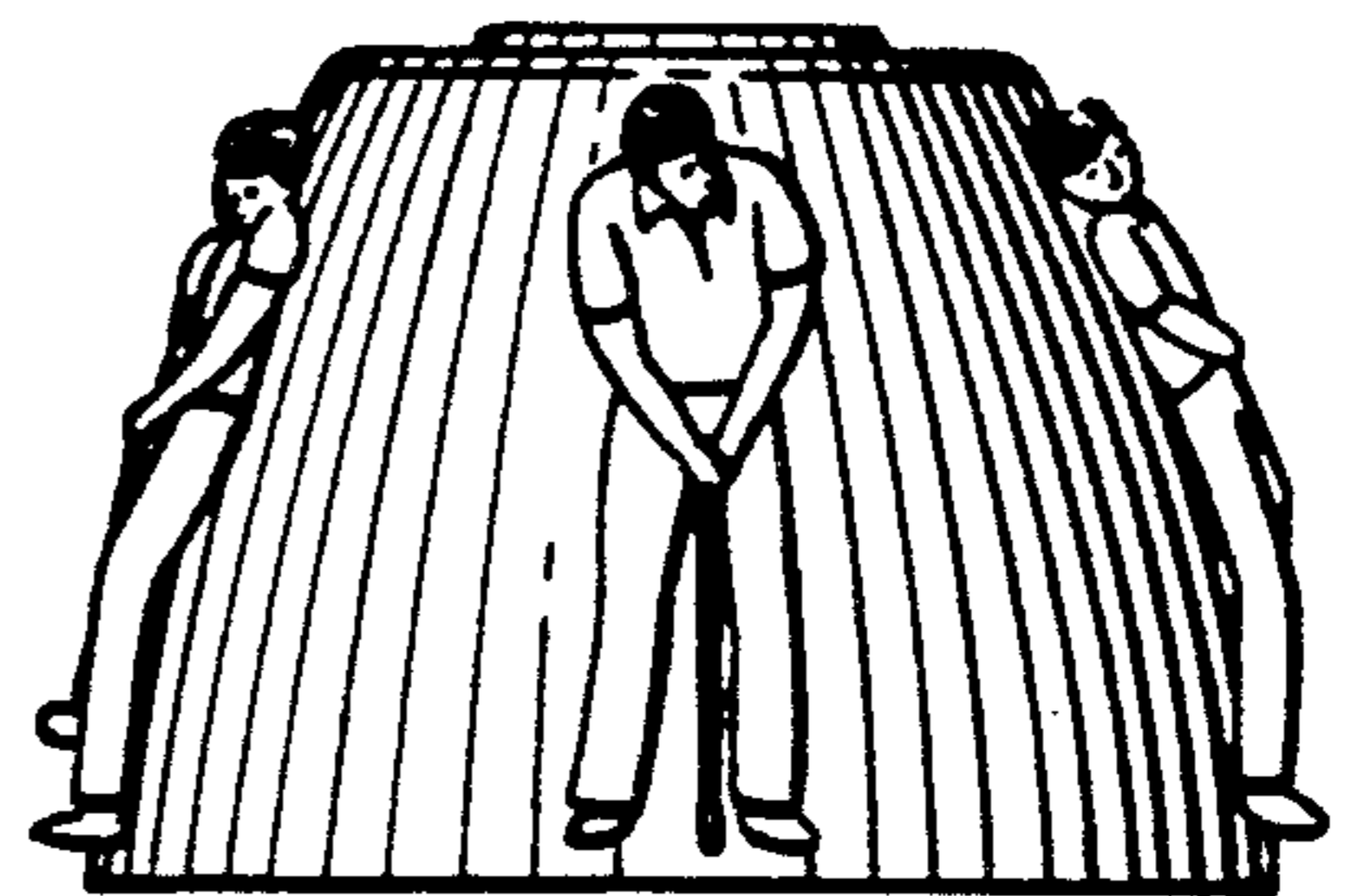
*Fig. 5.*



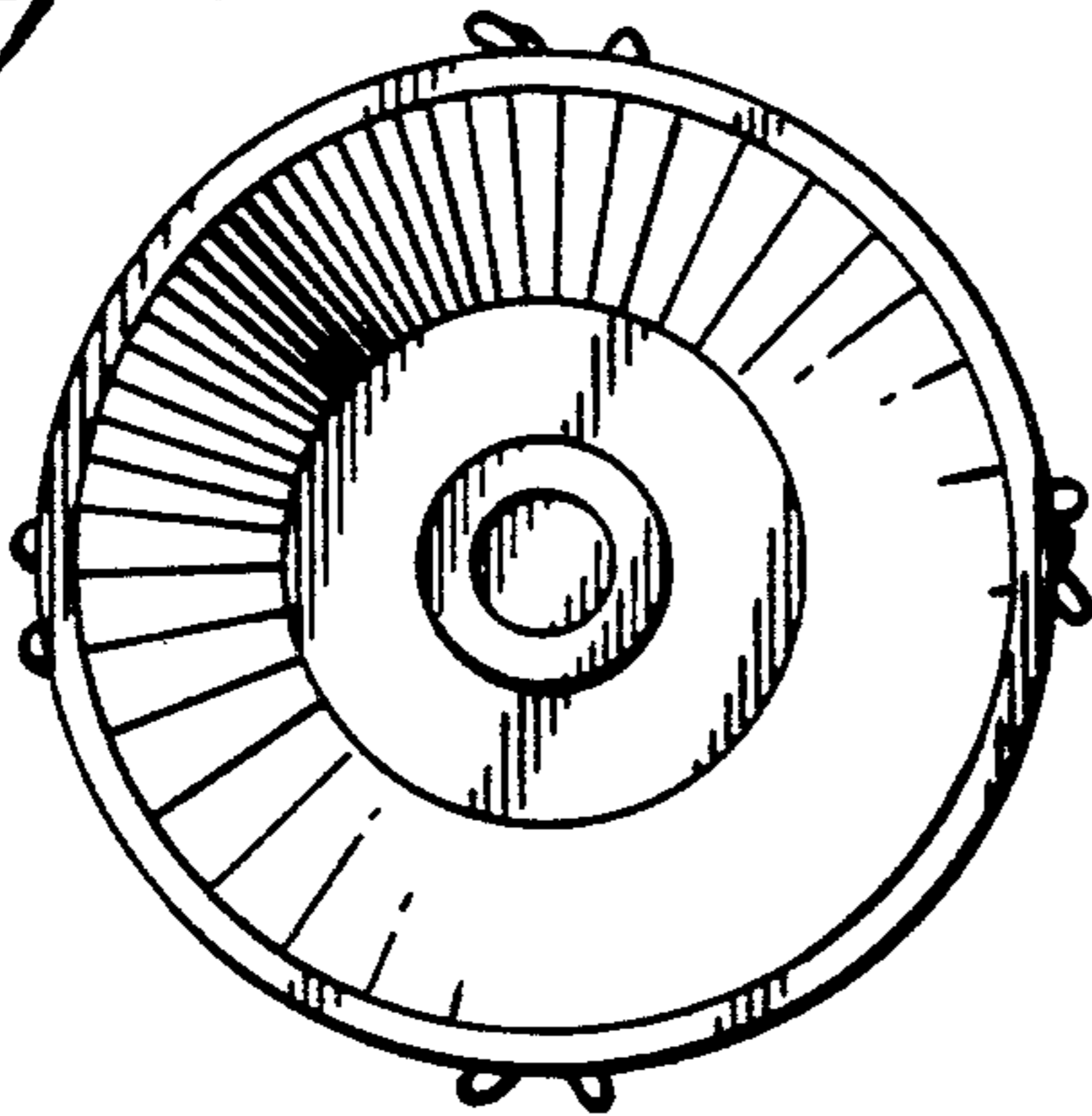
*Fig. 1.*



*Fig. 2.*



*Fig. 6.*



*Fig. 3.*



*Fig. 4.*

