



US00D329489S

United States Patent [19]

[11] Patent Number: **Des. 329,489**

Best et al.

[45] Date of Patent: **** Sep. 15, 1992**

[54] **OSCILLATING LAWN SPRINKLER**

[56] **References Cited**

[75] Inventors: **Melvin H. M. Best**, Topanga; **Aaron D. DeLaby**, Diamond Bar; **Randy J. Cooper**, Santa Ana; **Craig E. Beal**, Bonsall; **Glenn I. Beal**, Vista, all of Calif.

U.S. PATENT DOCUMENTS

D. 282,769	2/1986	Lemkin et al.	D23/216
D. 294,635	3/1988	Hatton	D23/216
D. 315,395	3/1991	Clivio	D23/216
4,860,954	8/1989	Allemann	239/242 X

[73] Assignee: **Rain Bird Consumer Products Mfg. Corp.**, Glendora, Calif.

OTHER PUBLICATIONS

Gardena catalog oscillating sprinklers, p. 3.

[**] Term: **14 Years**

Primary Examiner—Susan J. Lucas

Assistant Examiner—M. H. Tung

Attorney, Agent, or Firm—Kelly, Bauersfeld & Lowry

[21] Appl. No.: **689,611**

[57] CLAIM

The ornamental design for an oscillating lawn sprinkler, as shown and described.

[22] Filed: **Apr. 22, 1991**

DESCRIPTION

[52] U.S. Cl. **D23/216**

[58] Field of Search **D23/213-222;**
239/200-206, 211, 222.11-223, 230-233, 273,
275-276, 288, 288.3, 288.5, 390-392, 443-444,
456, 468, 505, 518-524, 556-558, DIG. 1, 225.1,
97-98, 242-243, 280

FIG. 1 is a front, left end elevational view of a lawn sprinkler showing our new design;

FIG. 2 is a left end elevational view thereof;

FIG. 3 is a right end elevational view thereof;

FIG. 4 is a front elevational view thereof;

FIG. 5 is a rear elevational view thereof;

FIG. 6 is a top plan view thereof; and,

FIG. 7 is a bottom plan view thereof.

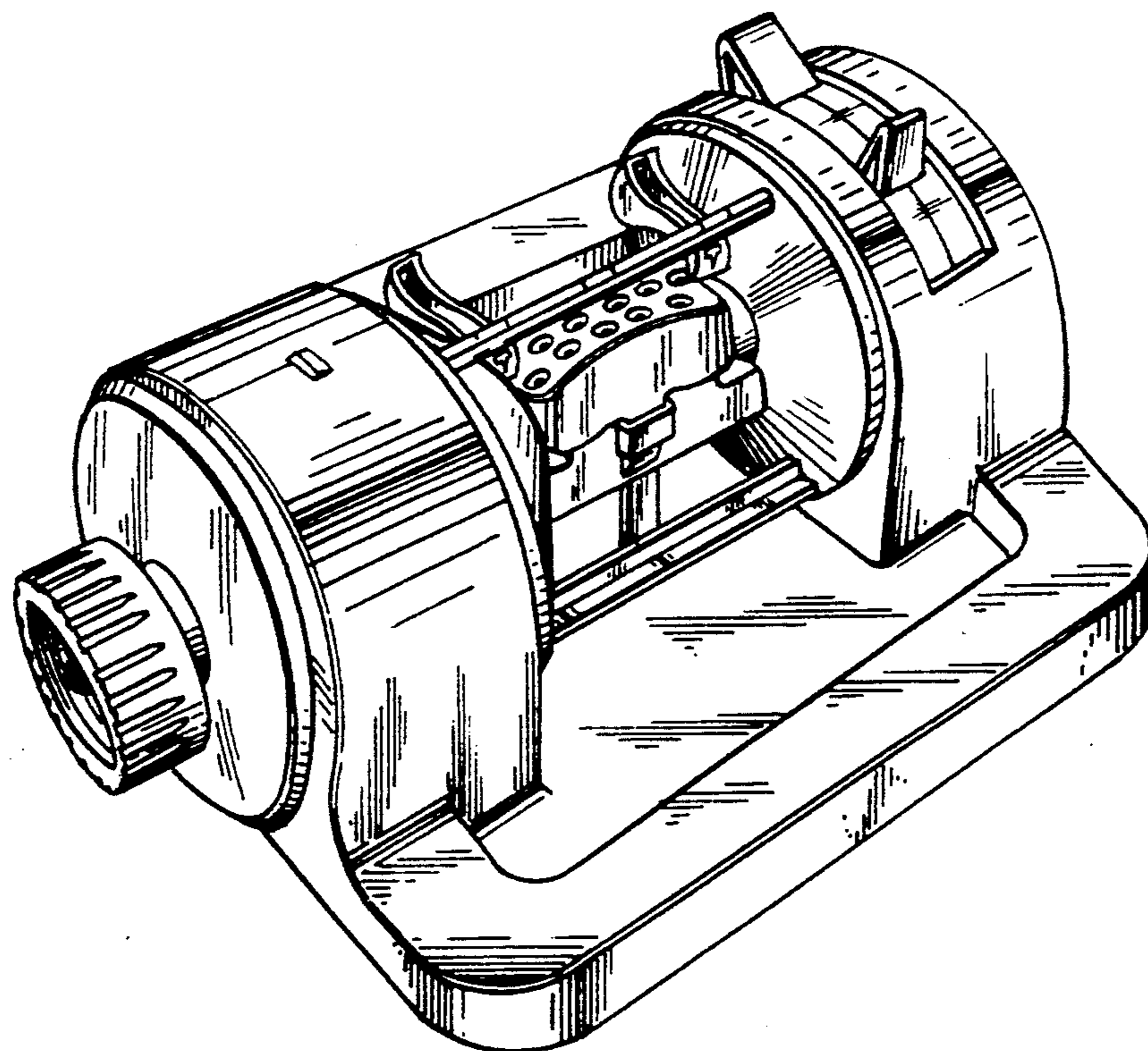


FIG. 1

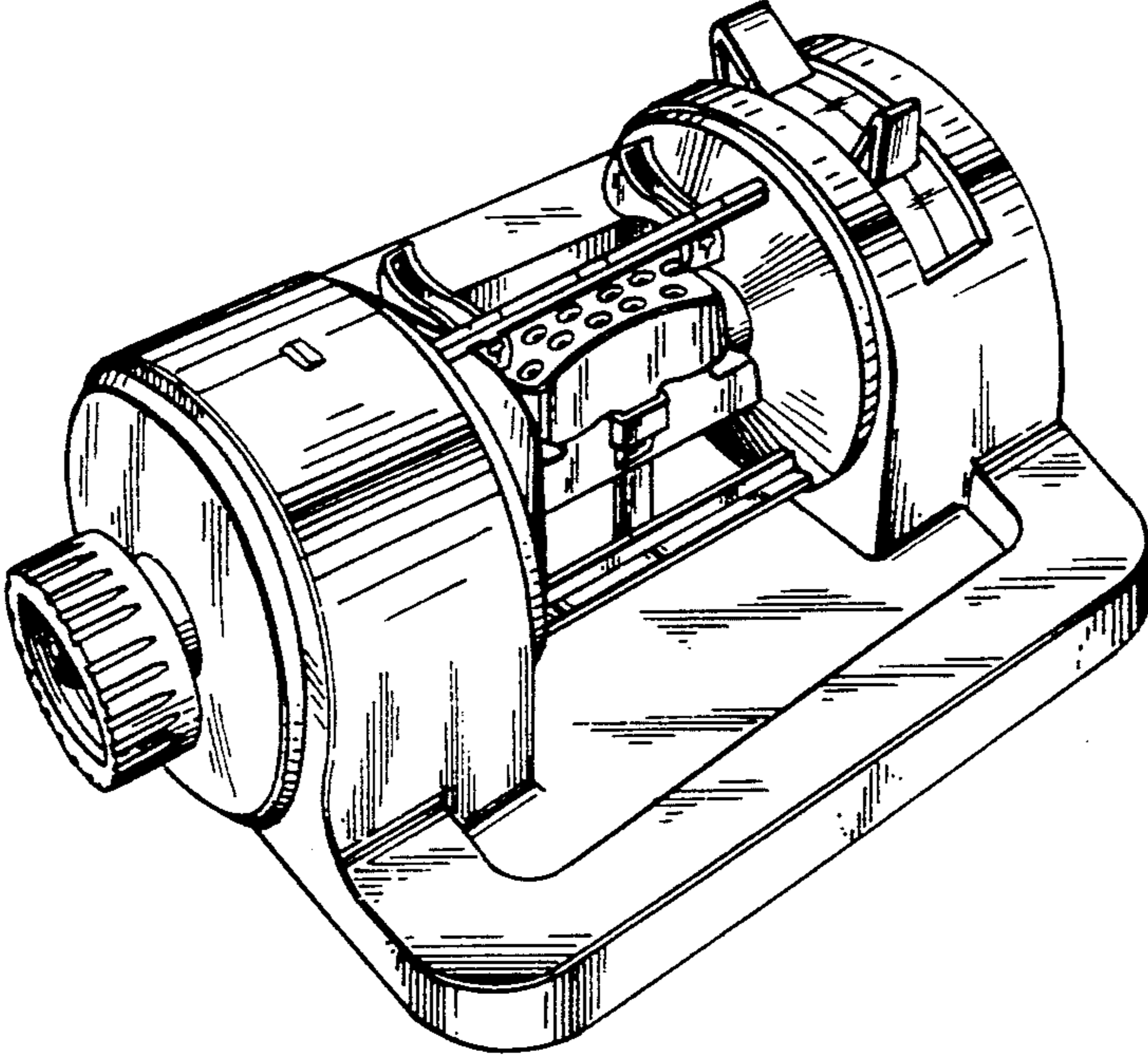


FIG. 2

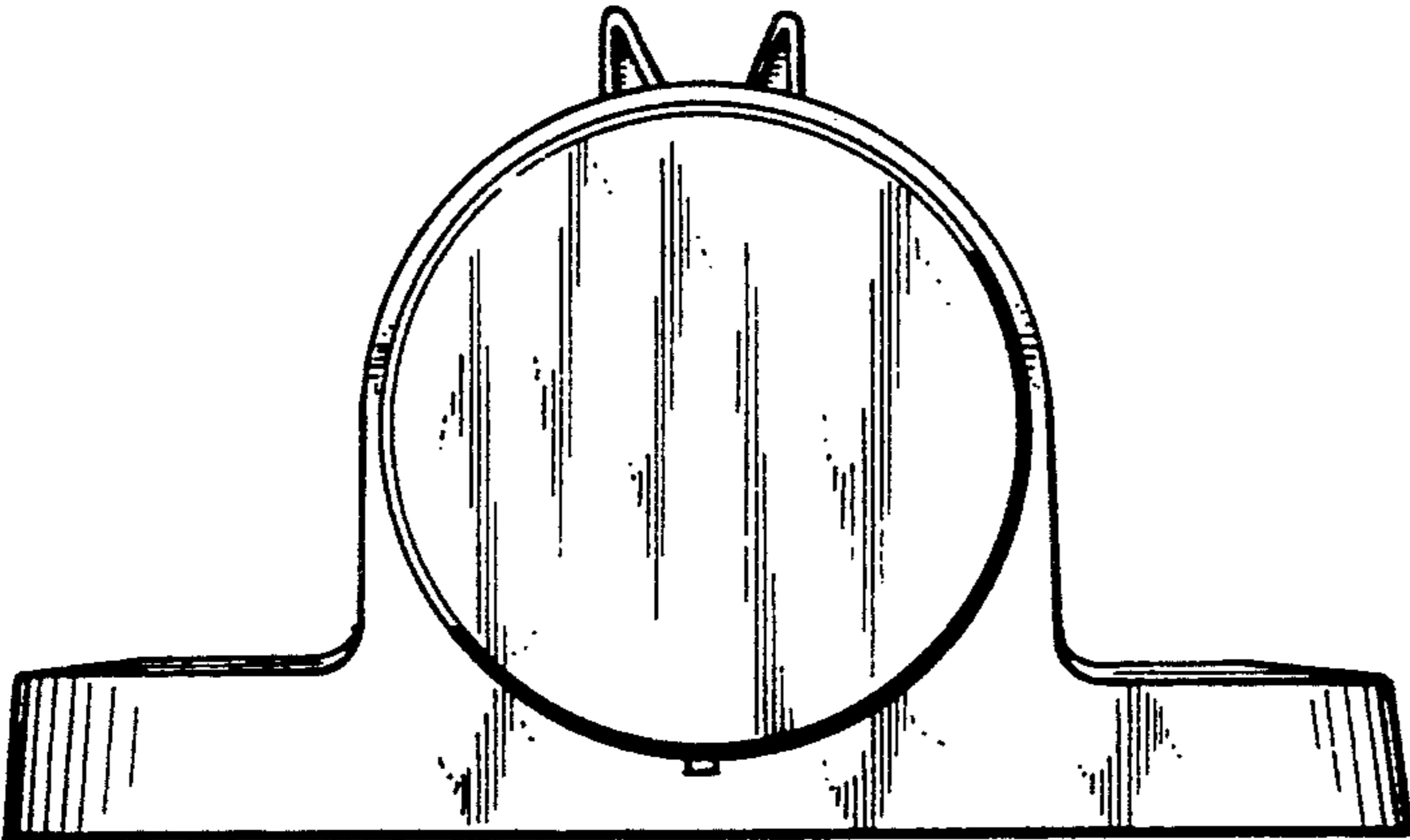
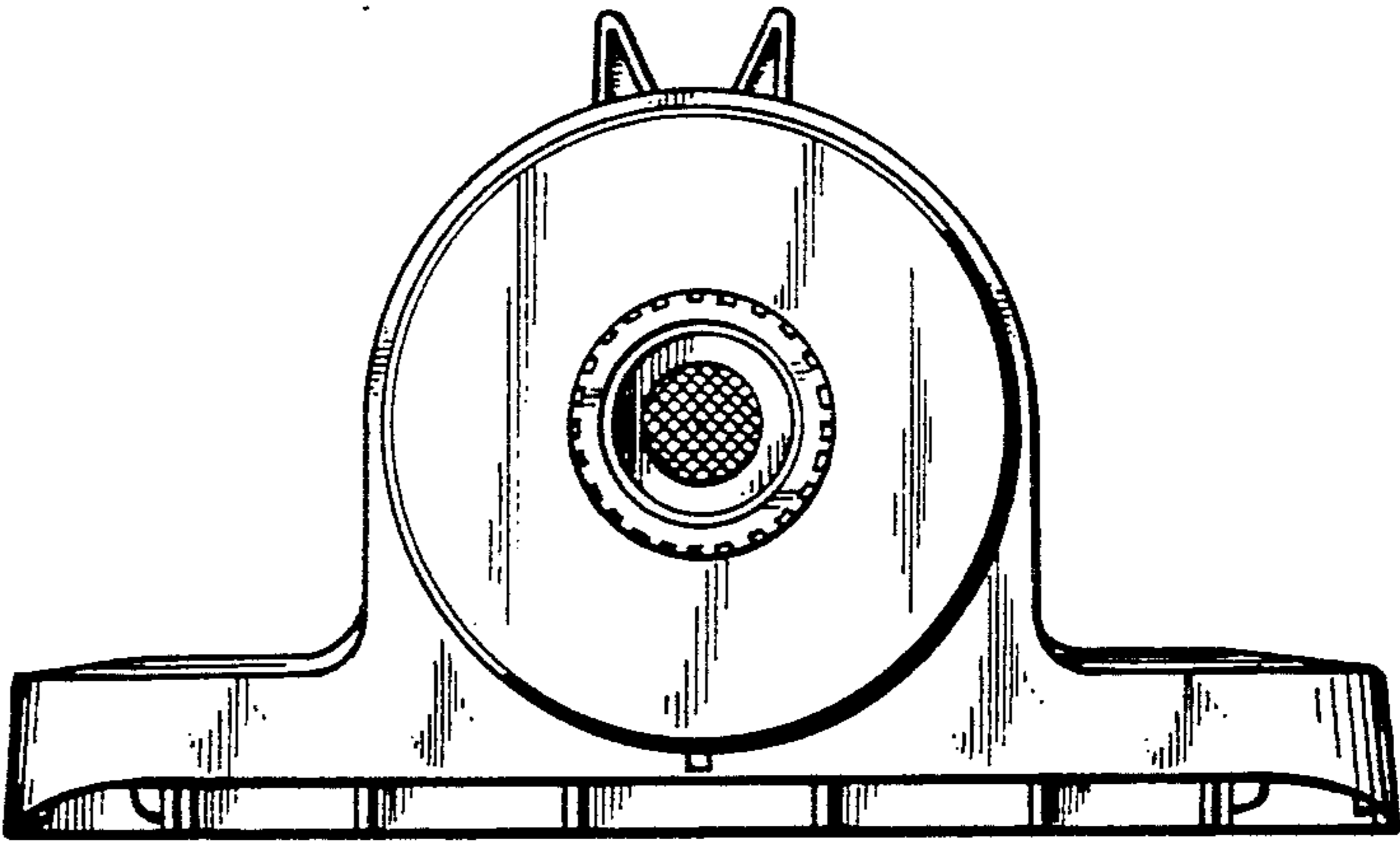


FIG. 3

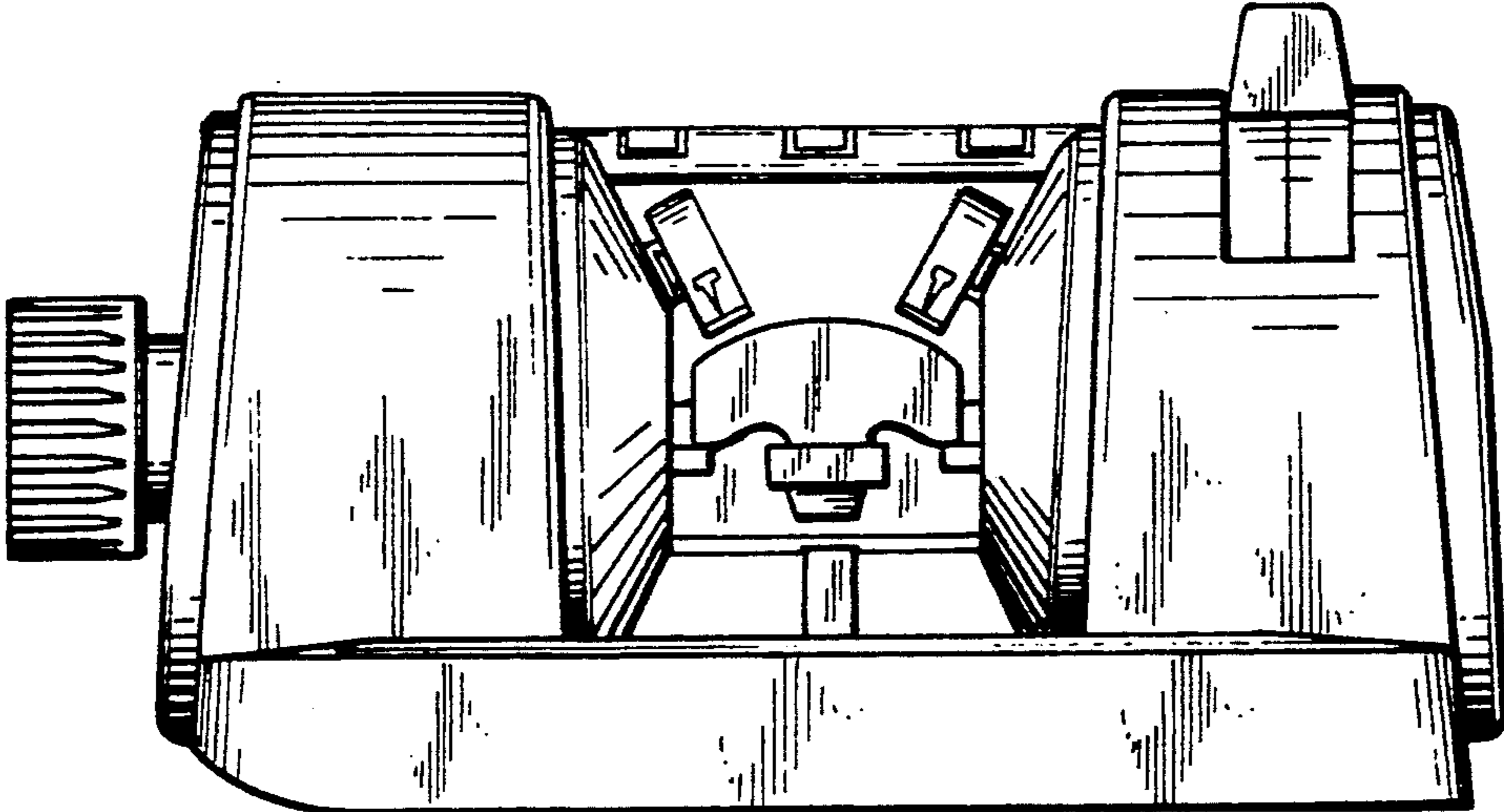


FIG. 4

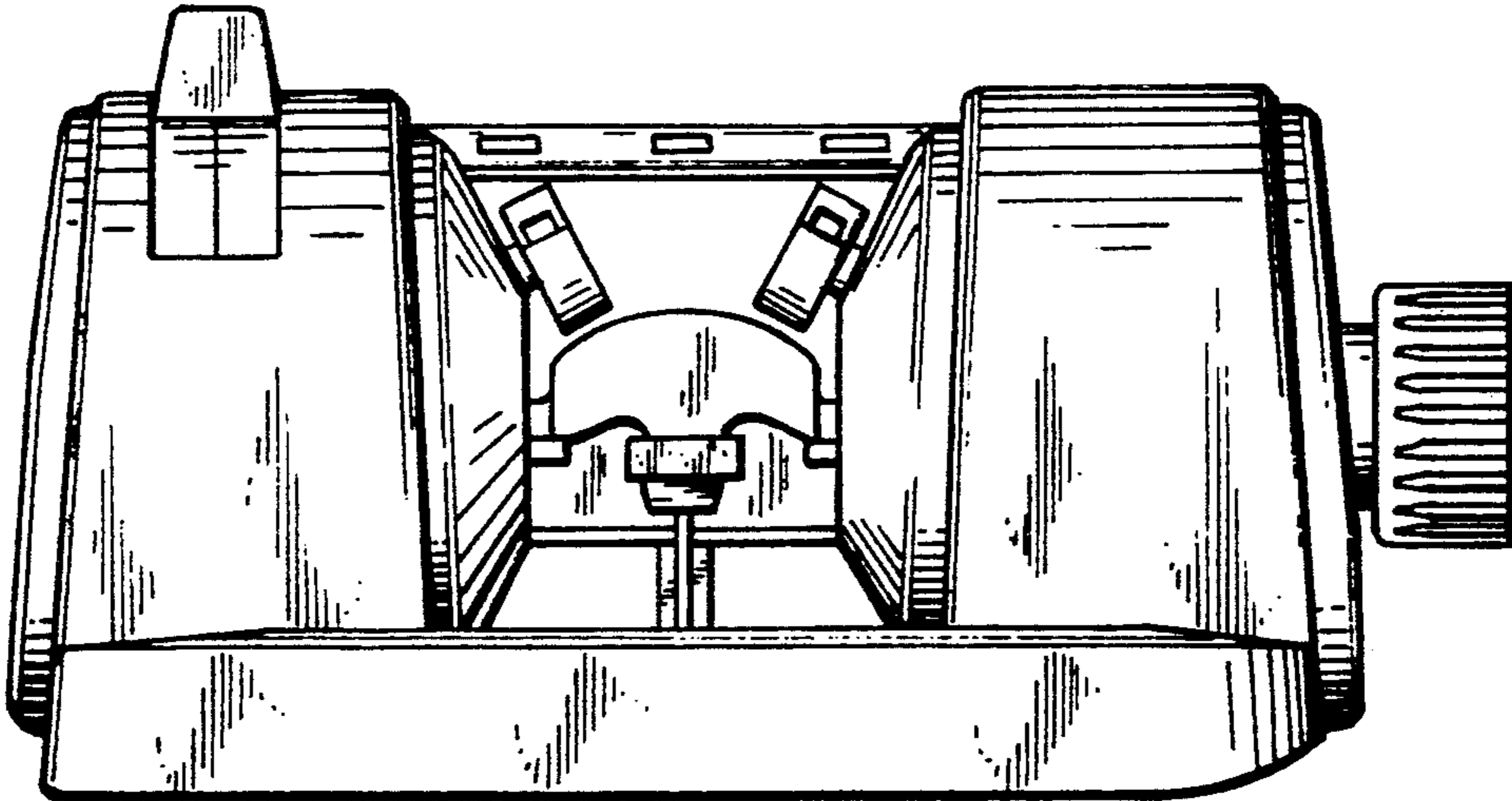


FIG. 5

FIG. 6

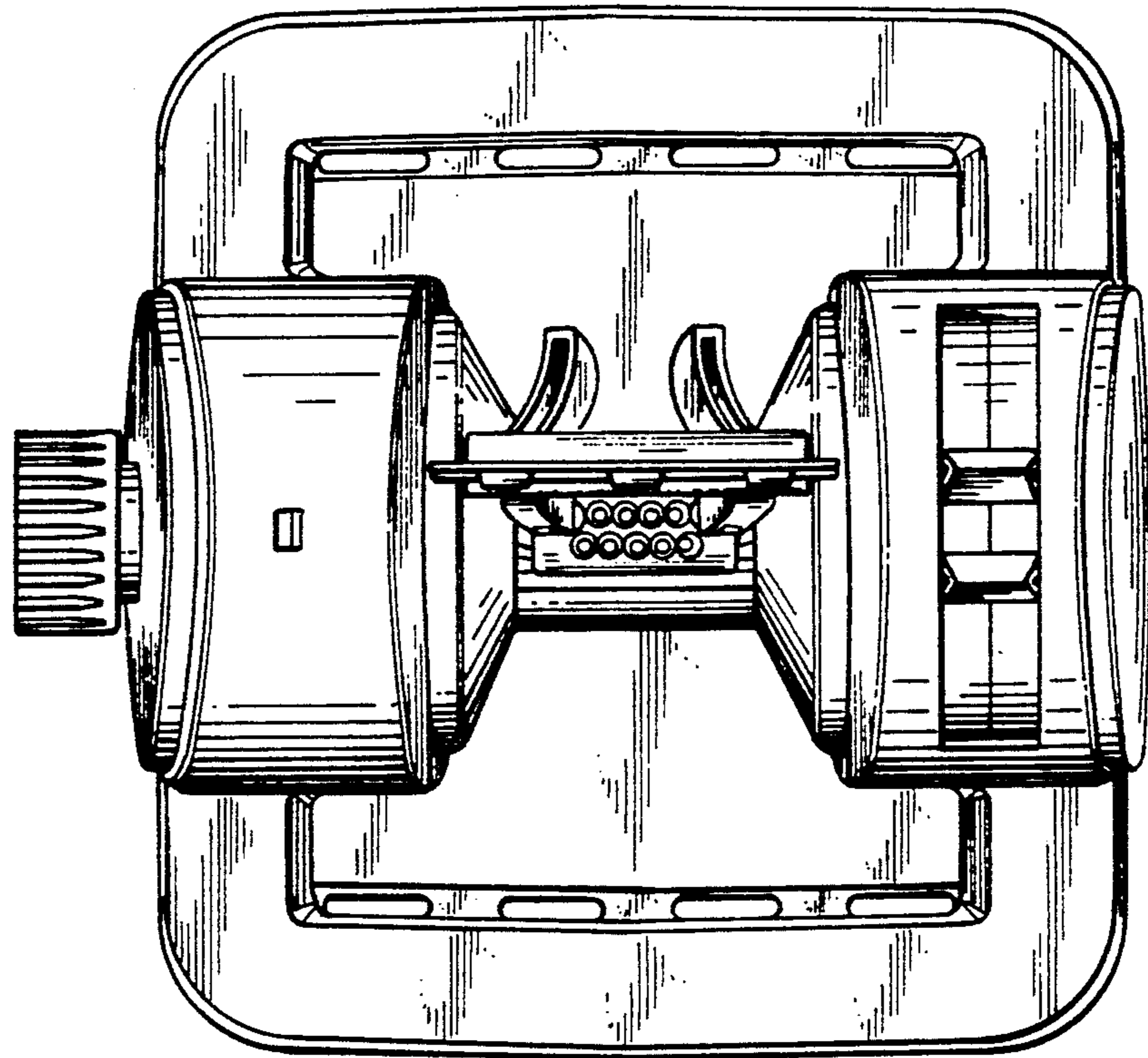


FIG. 7

